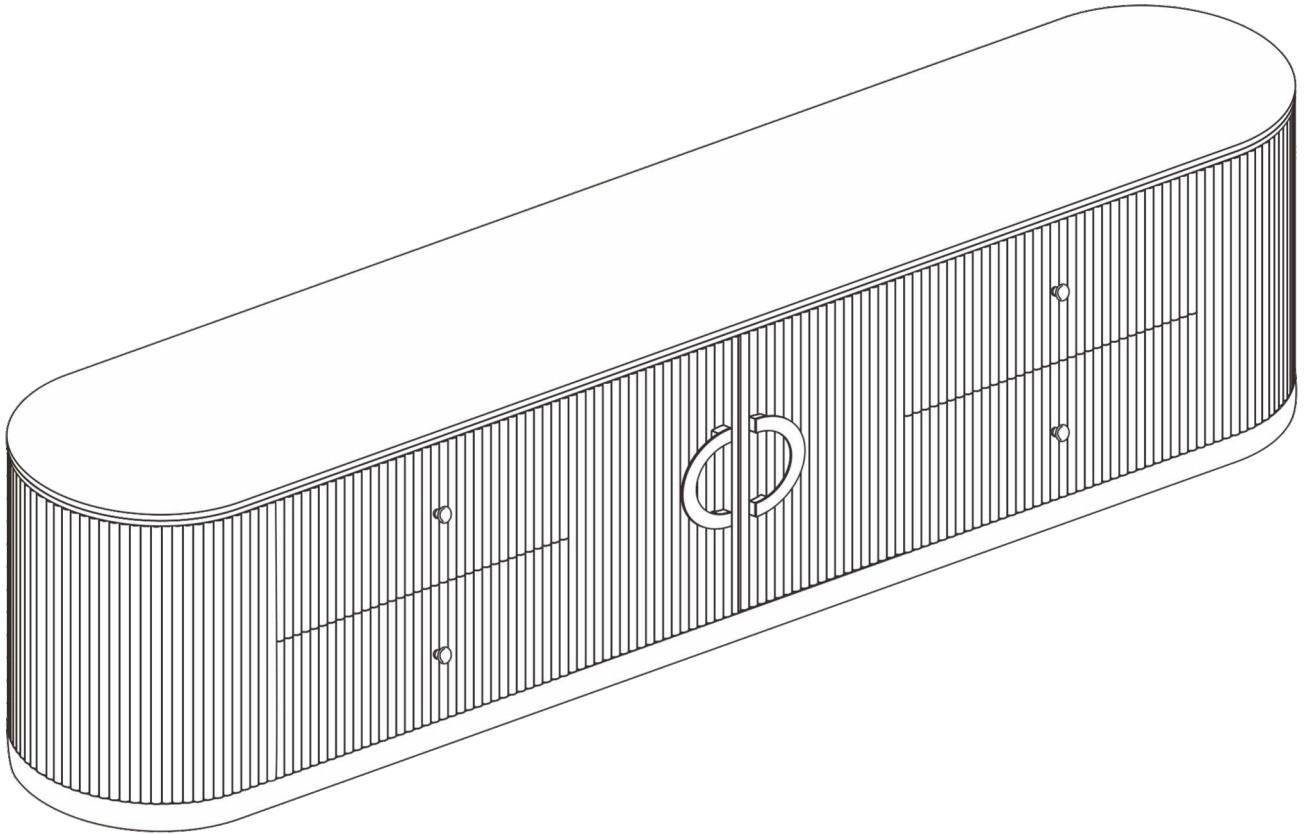
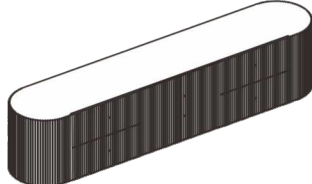





Assembly Instructions

ITEM NO.:TV008



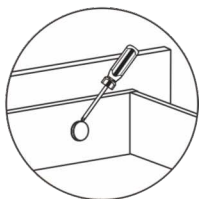
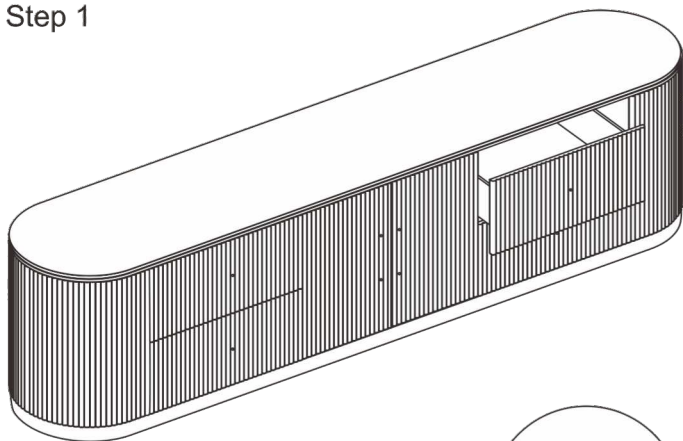
PARTS LIST

NO.:	SKETCH	DESCRIPTION	Qty
A		Cabinet	1
B		Round handle	4
C		Long handle	2
1		Screw	8

NOTE:

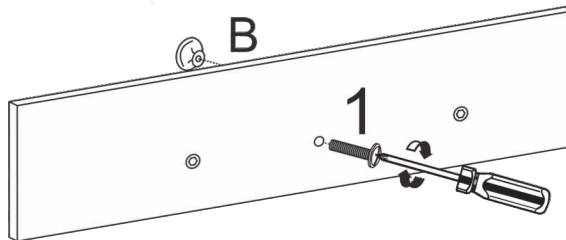
Phillips head screw driver is required in the assembly process; however, manufacturer does not provide this item.

Step 1

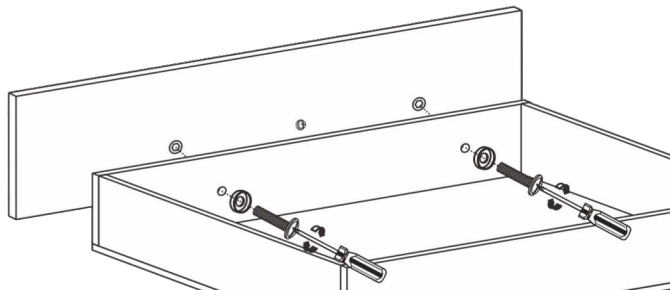


Remove the screws that have been installed in the drawers and take out the drawer panels

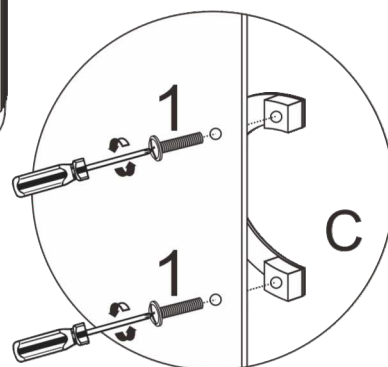
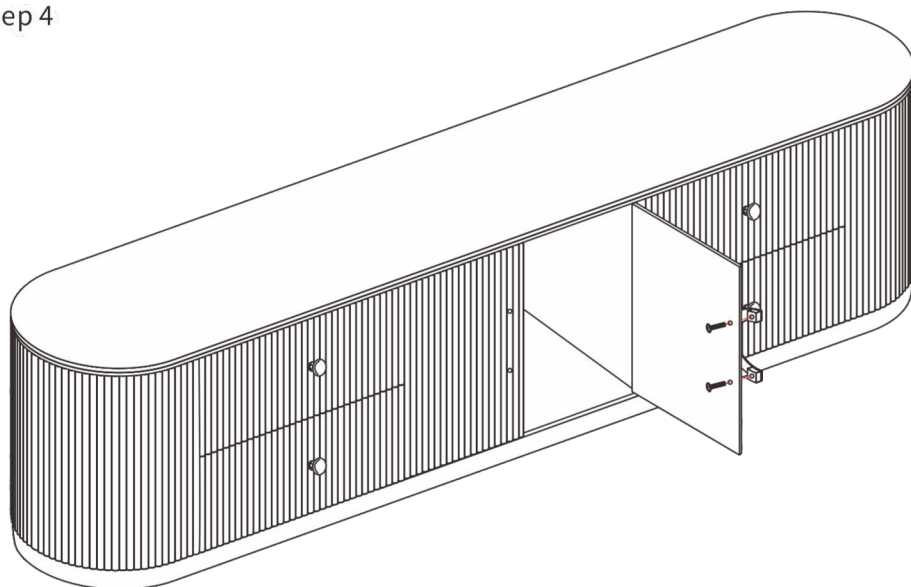
Step 2 Install the round handles on the holes in the middle of the drawer panel



Step 3 Install the drawer panel with the screws removed in the first step.



Step 4



Completed

