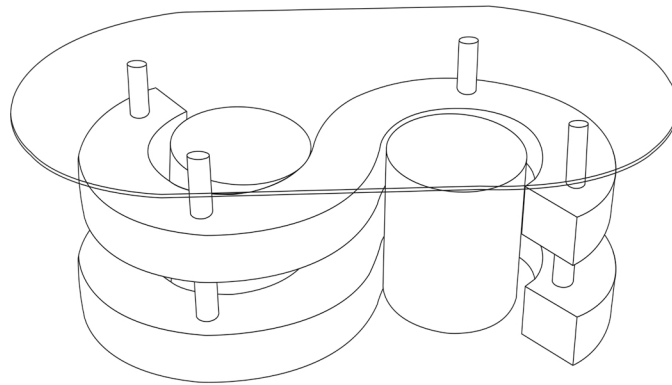
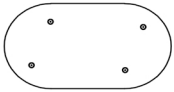

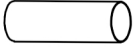




Assembly Instructions





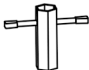


Please install the products on carpet or soft place.

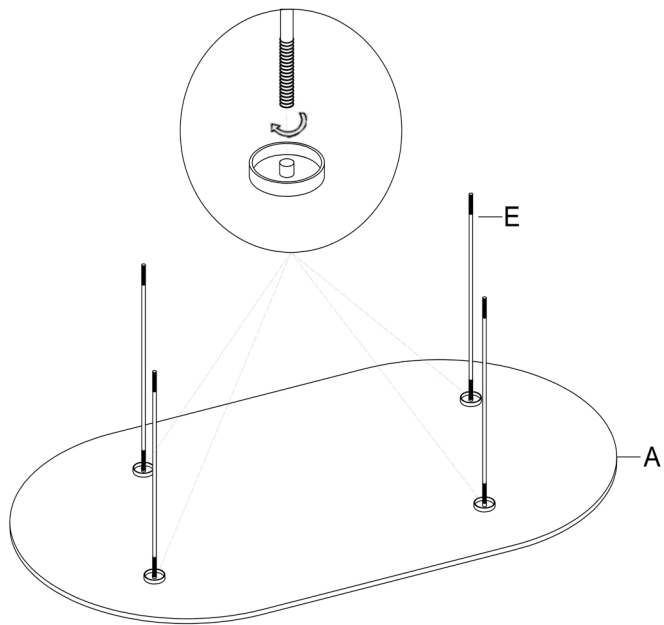
Parts List

No.	Sketch	Description	Qty
A		Tempered Glass Table Top	1
B		Under Glass Frame	2
C	 $\phi 38 \times 115 \text{mm}$	Stainless Steel Leg	8
D	 $\phi 38$	Stainless Steel Gasket	4
		Stool	2

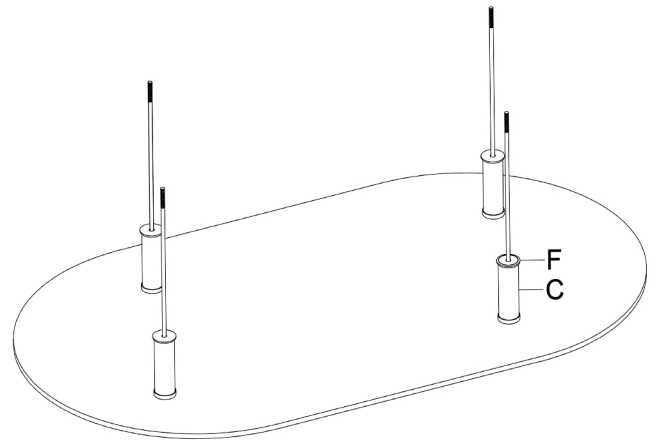
Hardware List

No.	Sketch	Description	Qty
E	 $M8 \times 430 \text{mm}$	Pulling Rod	4
F	 $\phi 38$	Plastic Gasket	12
G	 $M8$	Nut	4
H	 $M8$	Metal Gasket	4
I	 $M8$	Box Spanner M8	1

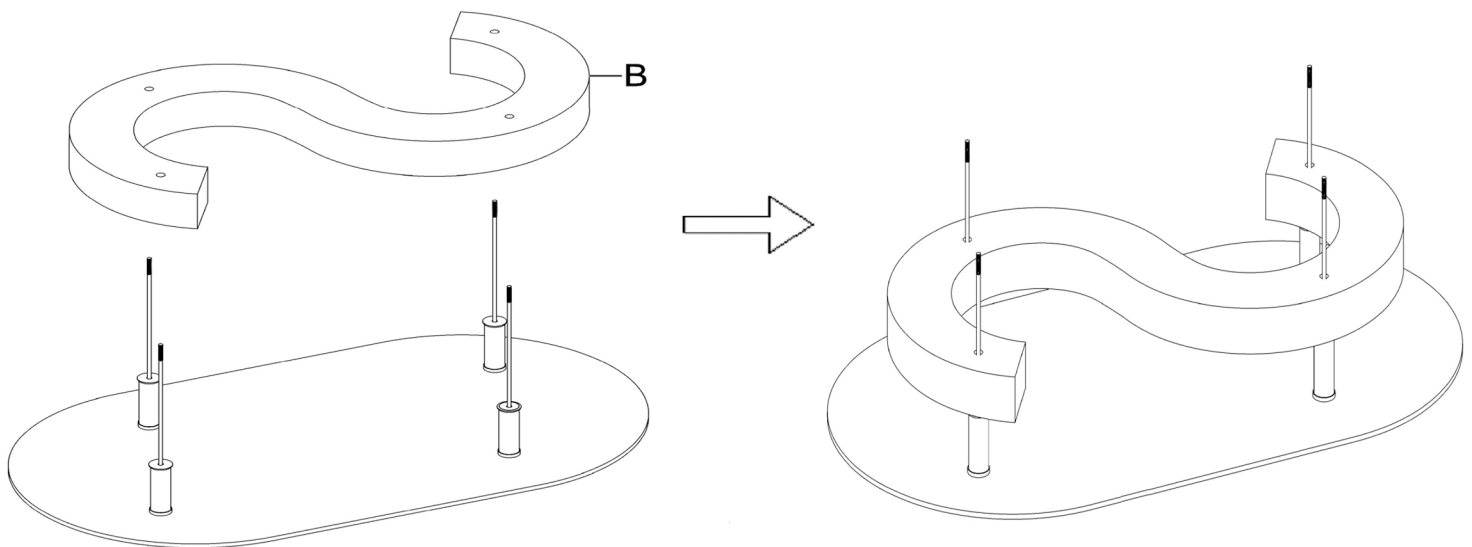
STEP 1



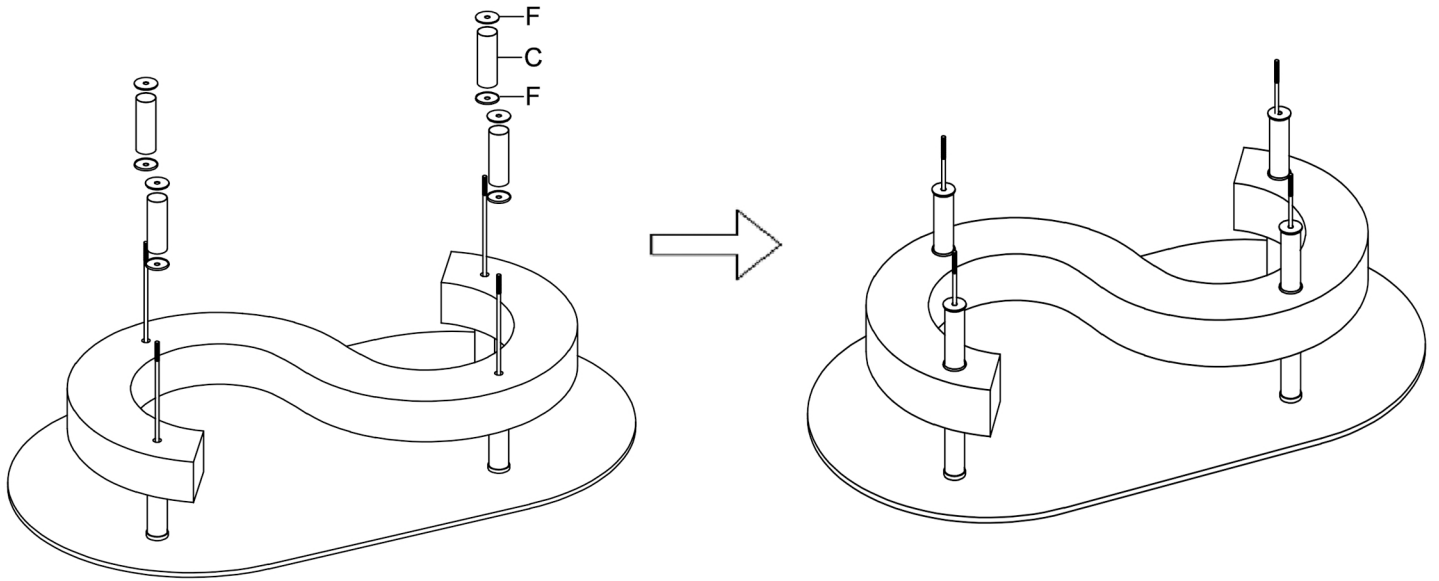
STEP 2



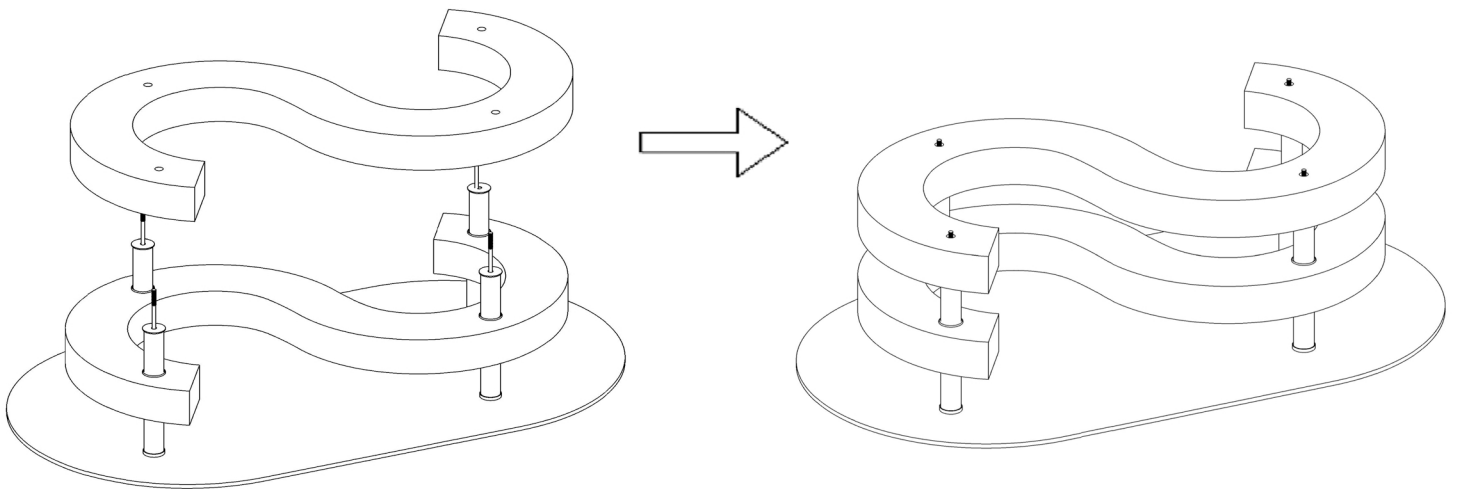
STEP 3



STEP 4



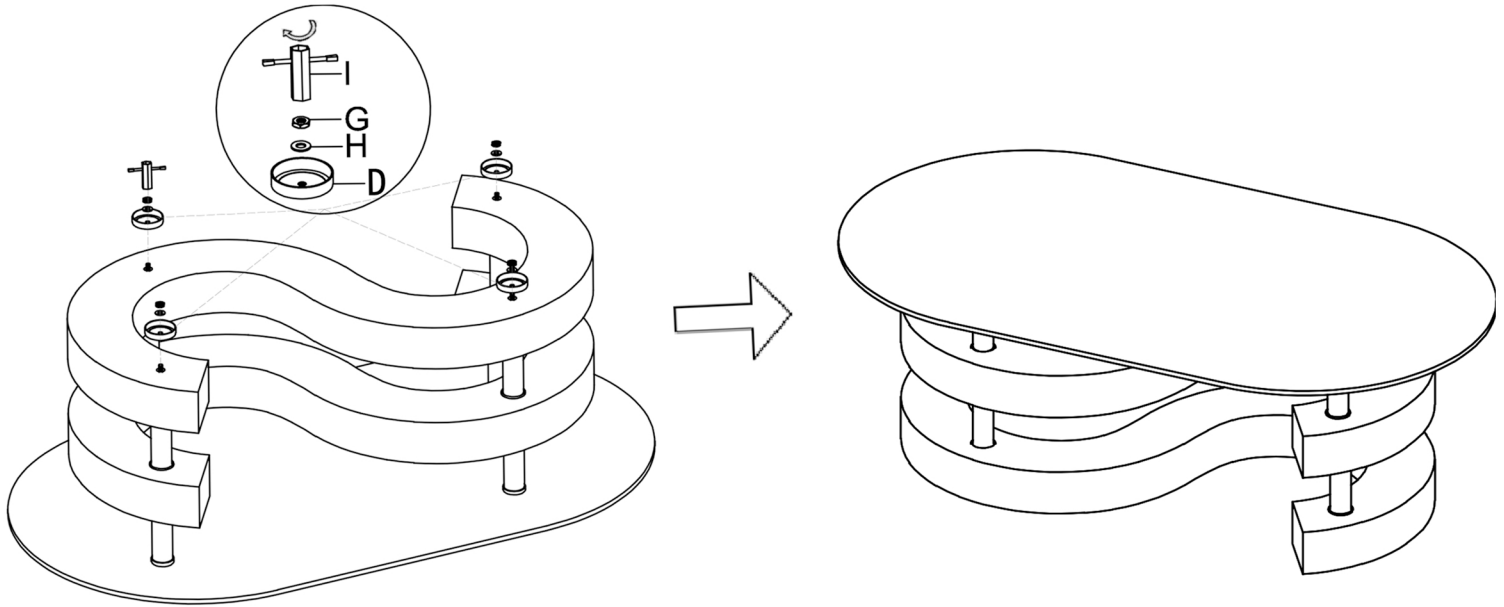
STEP 5



STEP 6



Tighten all the screws



COMPLETED

