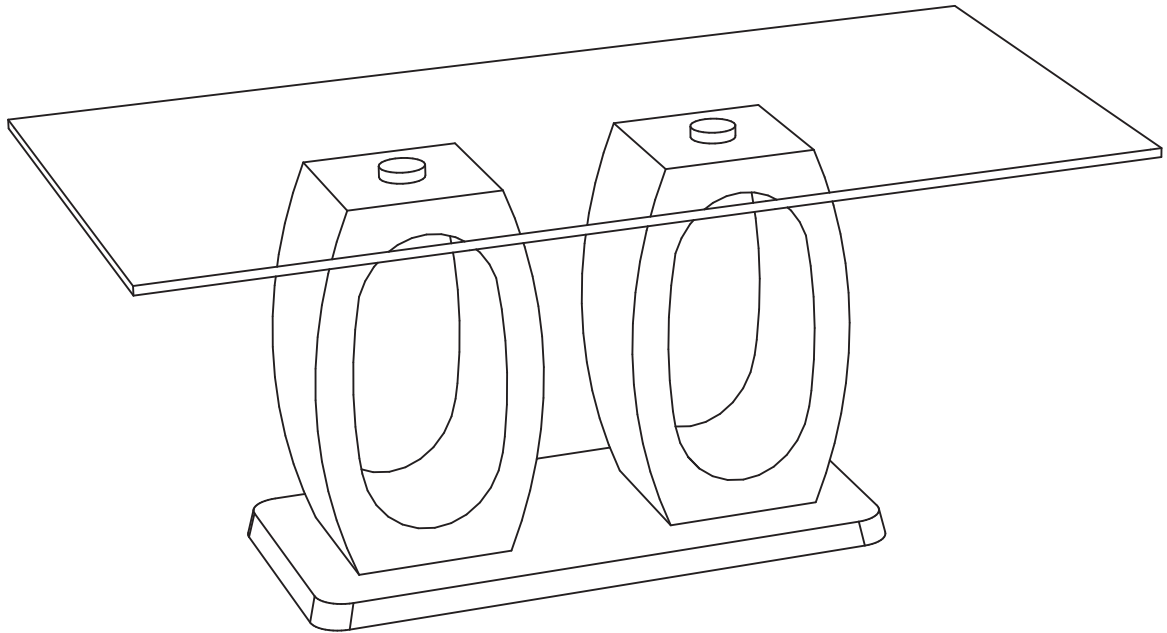


# Assembly Instructions

Caution:Pls read the AI before you proceed.




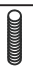


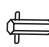


TABLE



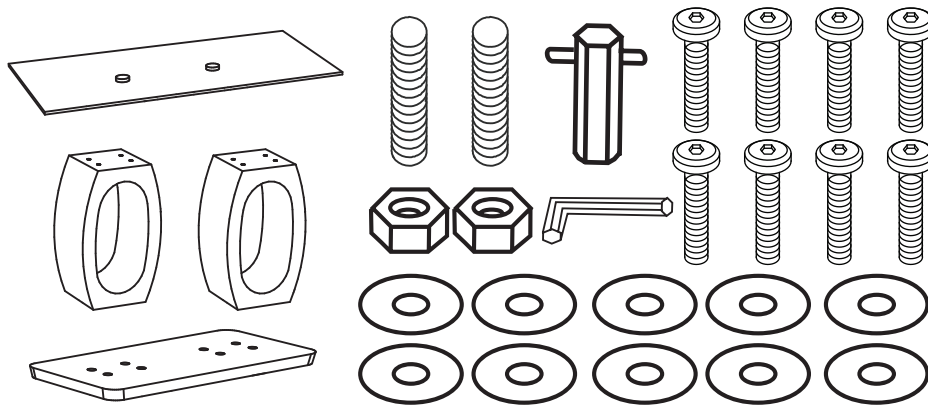
**CAUTION:**






Pls follow up the AI , when assemble the table leave your child away

Parts List

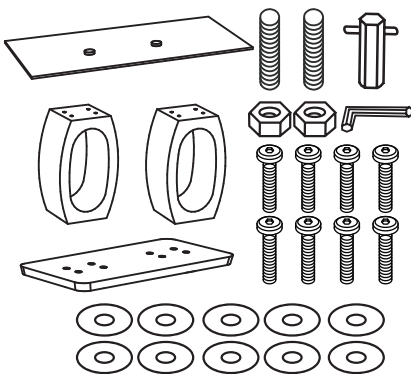
NO.	Picture	Description	Qty
A		Tempered glass table top	1
B		Frame	2
C		Base	1
D	 $\Phi 8 \times 65 \text{mm}$	Pulling rod	2
E	 M8	Nut	2
F	 M8X20mm	Gasket	10
G	 M8	Box Spanner M8	1
H	 M8X45mm	Screw	8
I	 M5	Allen key	1

# Assembly Preparation Before Beginning Assembly



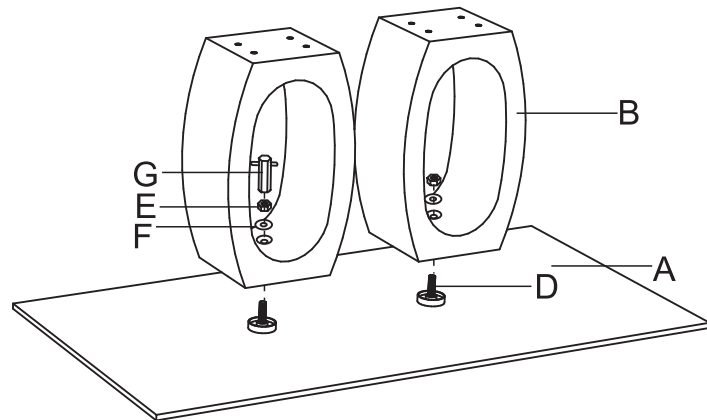
-  • Read instructions, cover to cover-
-  • Have 2 adults on hand for assembly-
-  • Do not assemble on flooring or carpet-
-  • Assemble on a clean non- marring surface (packing foam)-
-  • Save all packaging until finished-

Step 1

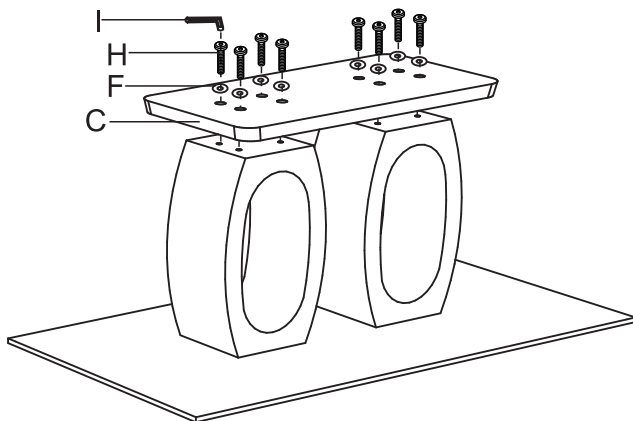


Unpack and place all parts on a clean , soft surface

Step 2



Step 3



Step 4

