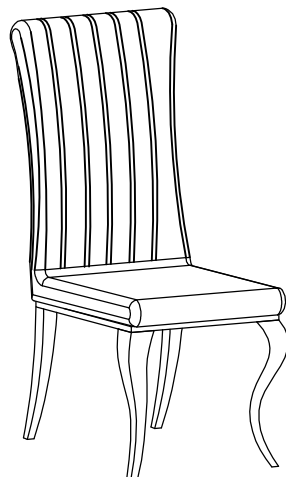


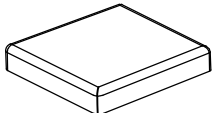



Item NO:DCK86 Dining Chair

Assembly Instruction









ASSEMBLY TIME PER UNIT:	10 MINUTES
--------------------------------	-------------------

PARTS IDENTIFICATION

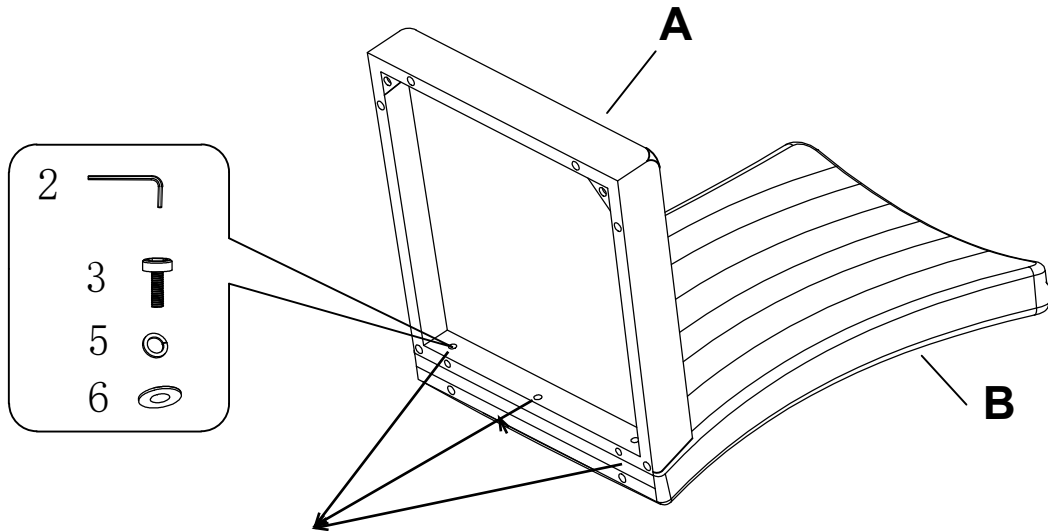
A	SEATER		1PC	B	BACK		1PC
C	LEGS		2PC	D	LEGS		2PC

HARDWARE LIST

NO.	SIZE	DIAGRAM	QTY	NO.	SIZE	DIAGRAM	QTY
1	Allen wrench		1	4	Bolts 25MM		12
2	Allen wrench		1	5	Spring shim		15
3	Bolts 45MM		3	6	Flat washer		15

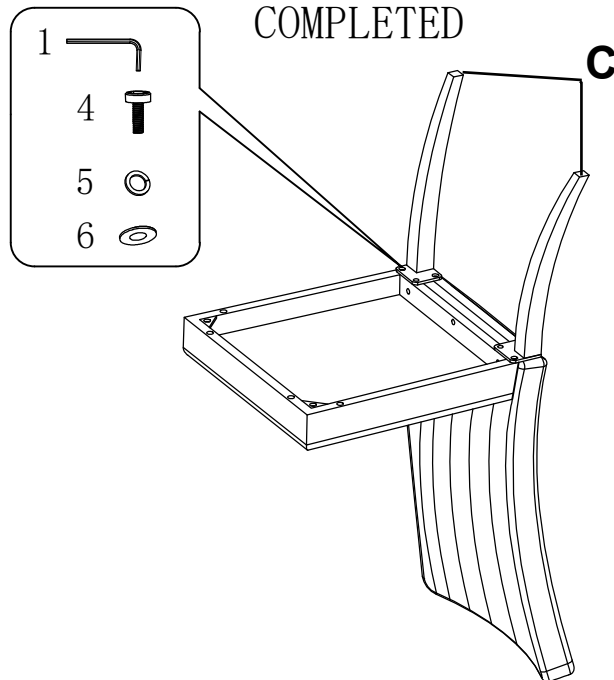
Item NO:DCK86 Dining Chair

STEP1



First fix these three screws ,assemble them 80%, adjust balance of this chair,then tighten all the screws to 100%

STEP2



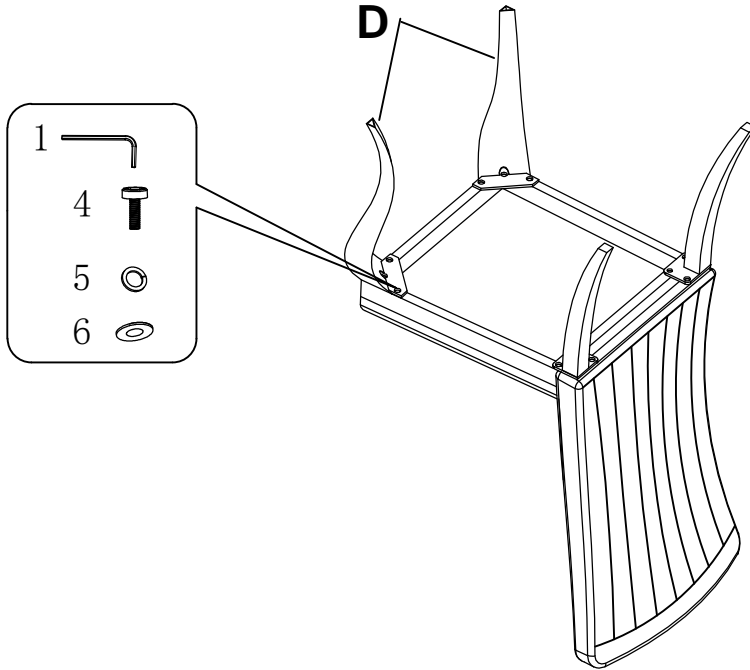
Adjust balance of this chair two back legs,
tighten all the screws to 100%.



Item NO:DCK86 Dining Chair

STEP3

Adjust balance of this chair two front legs ,tighten all the screws to 100%.



COMPLETED

