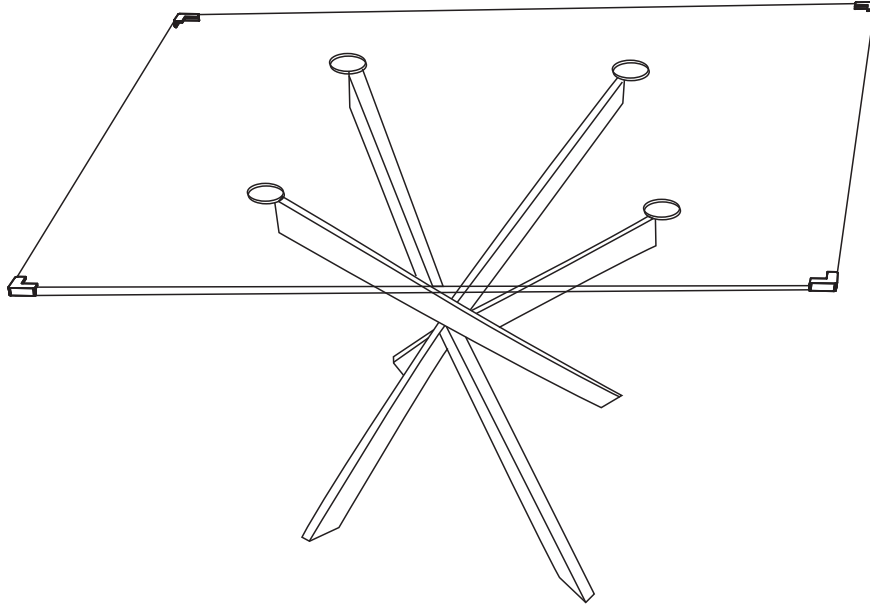


Assembly Instructions











Caution:Pls read the AI before you proceed.



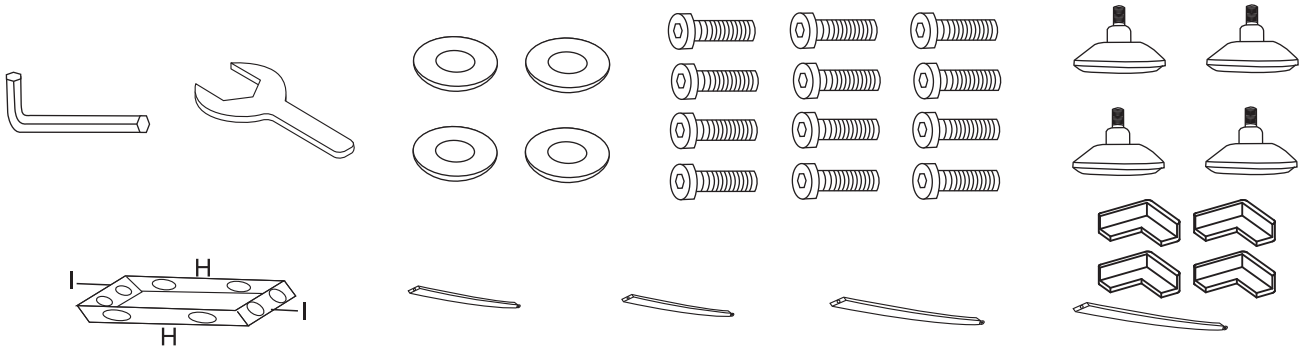
CAUTION:

Pls follow up the AI , when assemble the table leave your child away

Parts List

| NO. | Picture | Description | Qty |
|-----|--|---------------------------|-----|
| A |  | Glass | 1 |
| B |  8X8mm | Screw | 12 |
| C |  120X160mm | Iron Box | 1 |
| D |  8X16mm | Gasket | 4 |
| E |  13X30mm | Adjwstable foot corner | 4 |
| F |  6X30X85 | Allen key | 1 |
| G |  75X20mm | Spanney | 1 |
| H |  20X60X1174 | Long legs | 2 |
| I |  20X60X940 | short legs | 2 |
| J |  | Plastic protection corner | 4 |

Assembly Preparation Before Beginning Assembly



• Read instructions, cover to cover-



• Have 2 adults on hand for assembly-



• Do not assemble on flooring or carpet-

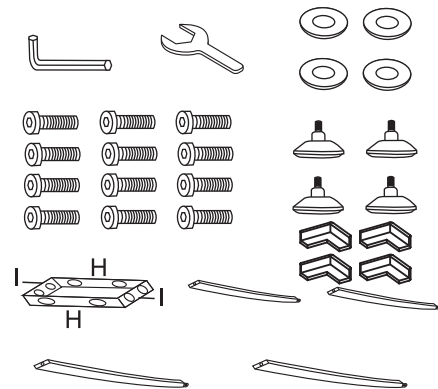


• Assemble on a clean non- marring surface (packing foam)-



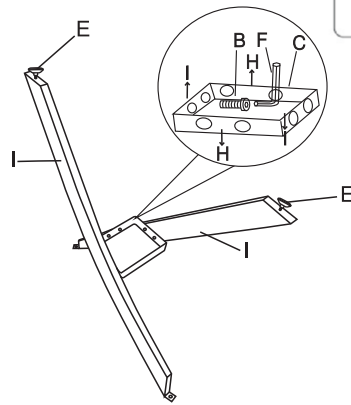
• Save all packaging until finished-

Step 1

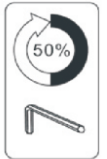
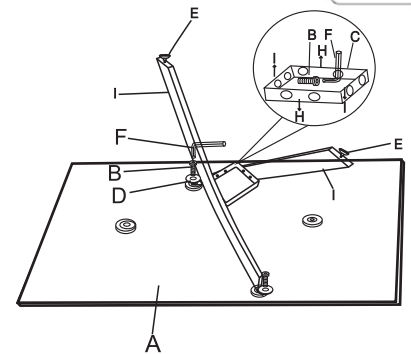


Unpack and place all parts on a clean , soft surface

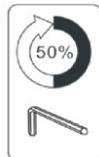
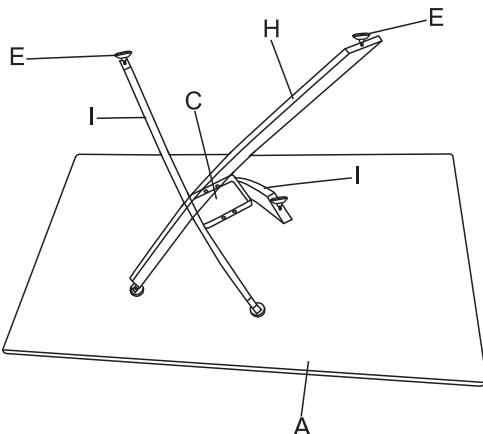
Step 2



Step 3



Step 4



Step 5

