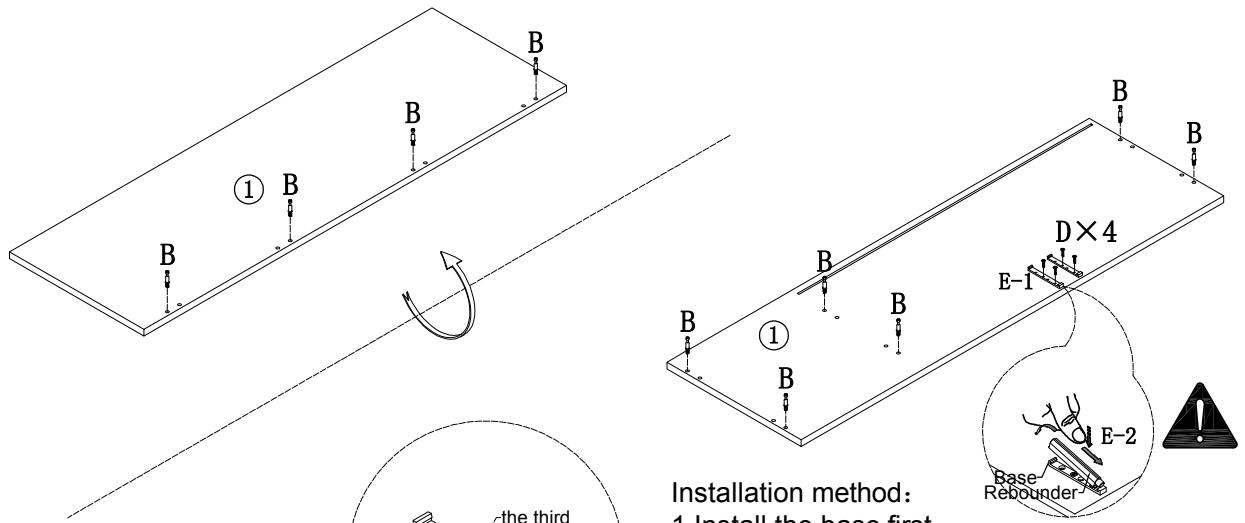
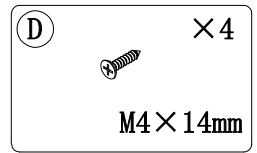
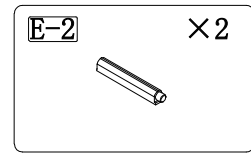
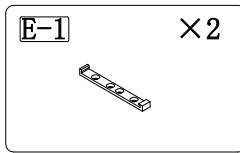
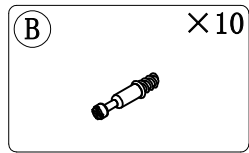
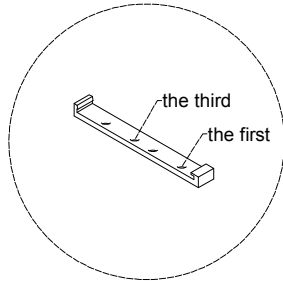
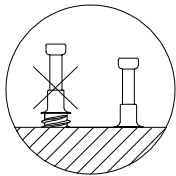


01

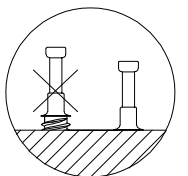
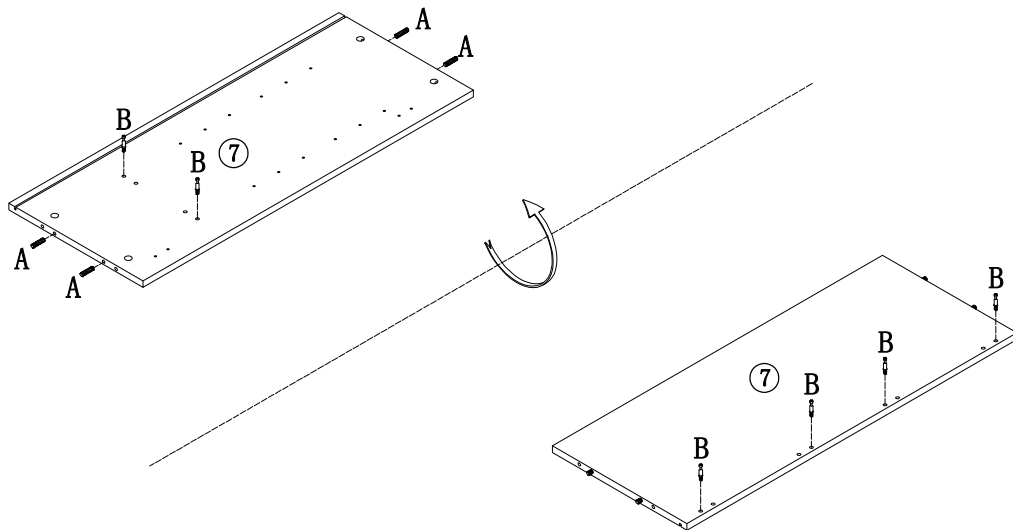
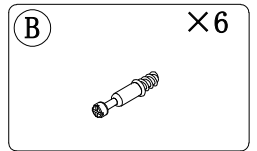
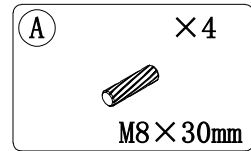


Installation method:

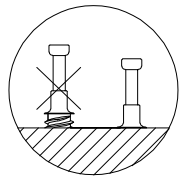
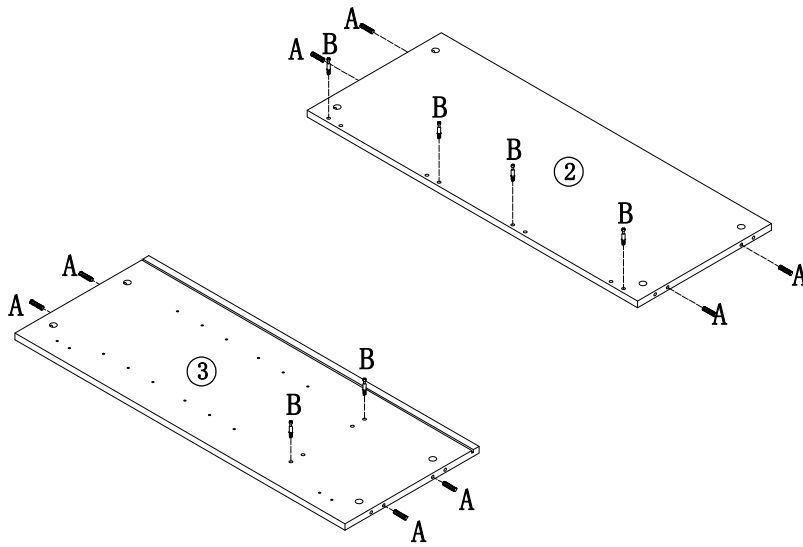
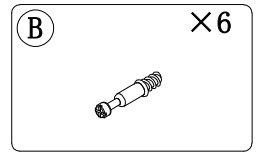
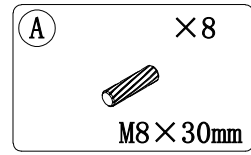
1. Install the base first.
2. Install the rebounder.
3. The process is irreversible, please follow the instructions to install.



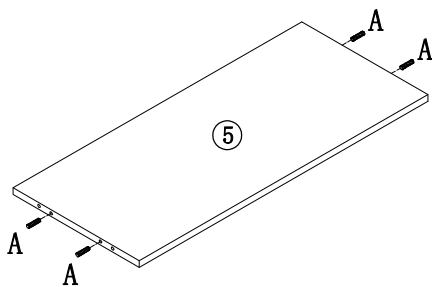
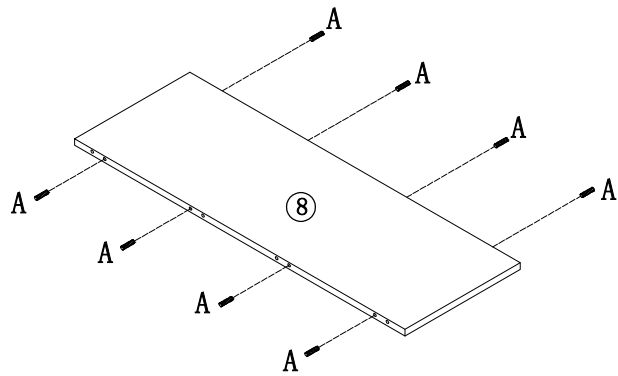
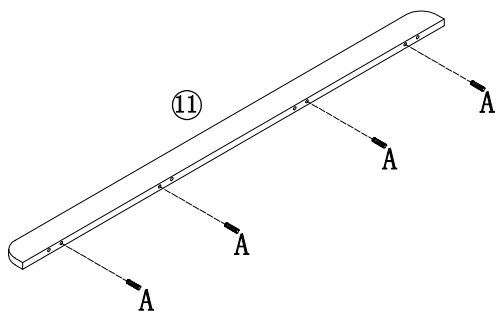
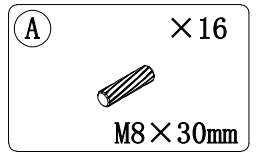
02



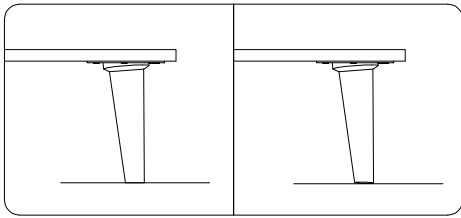
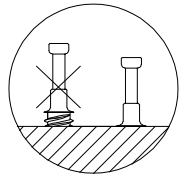
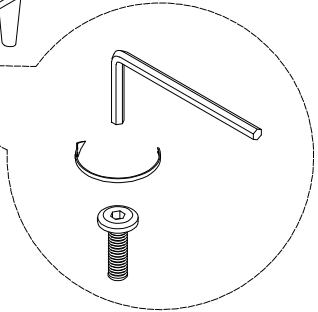
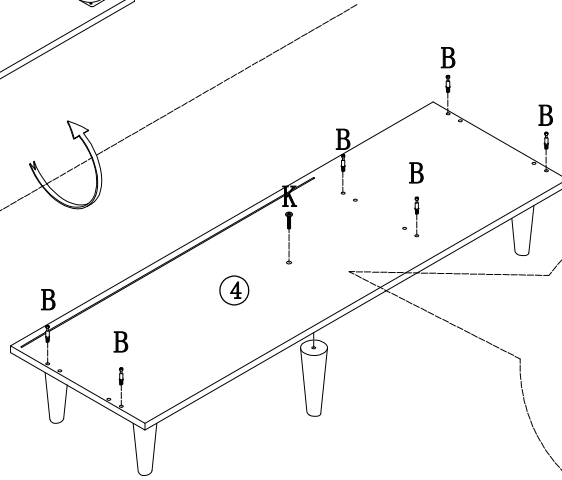
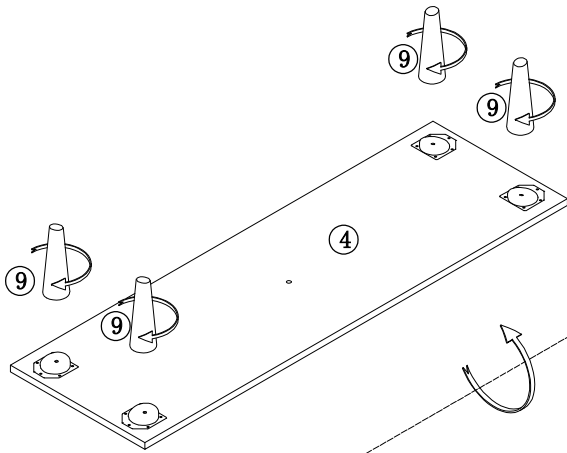
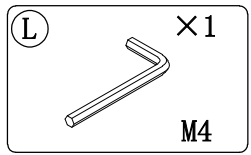
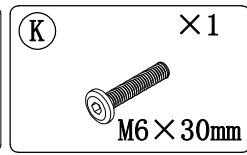
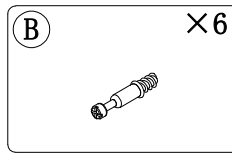
03



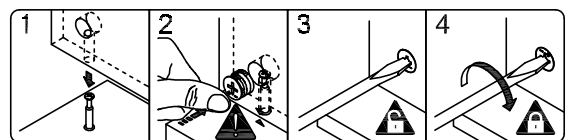
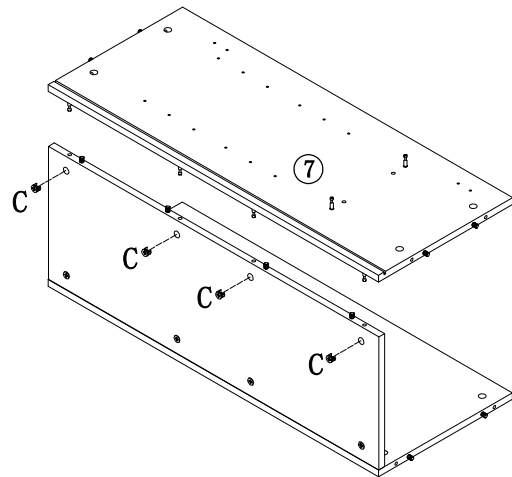
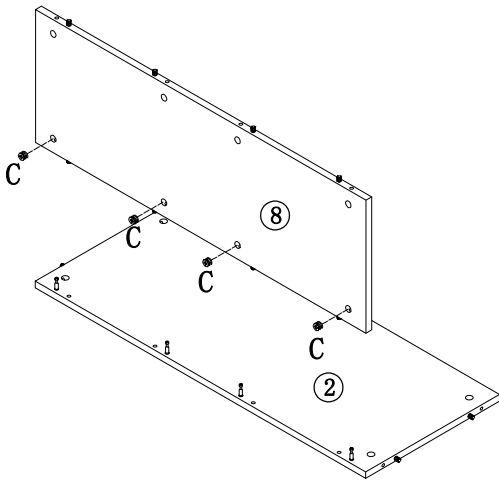
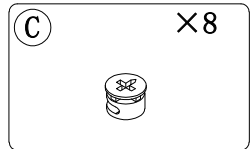
04



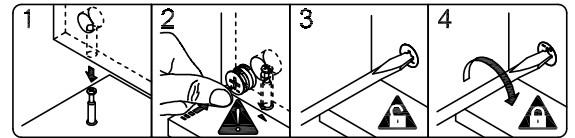
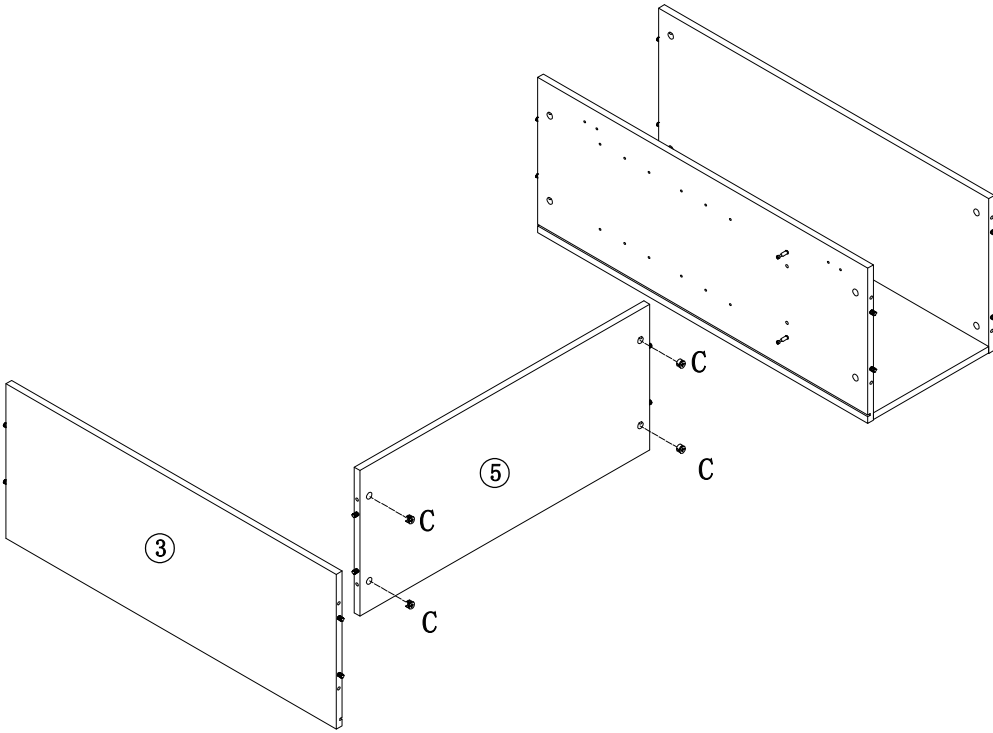
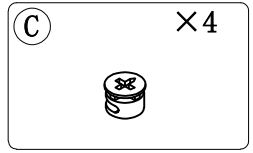
05



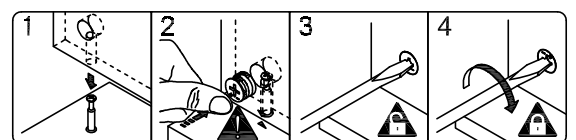
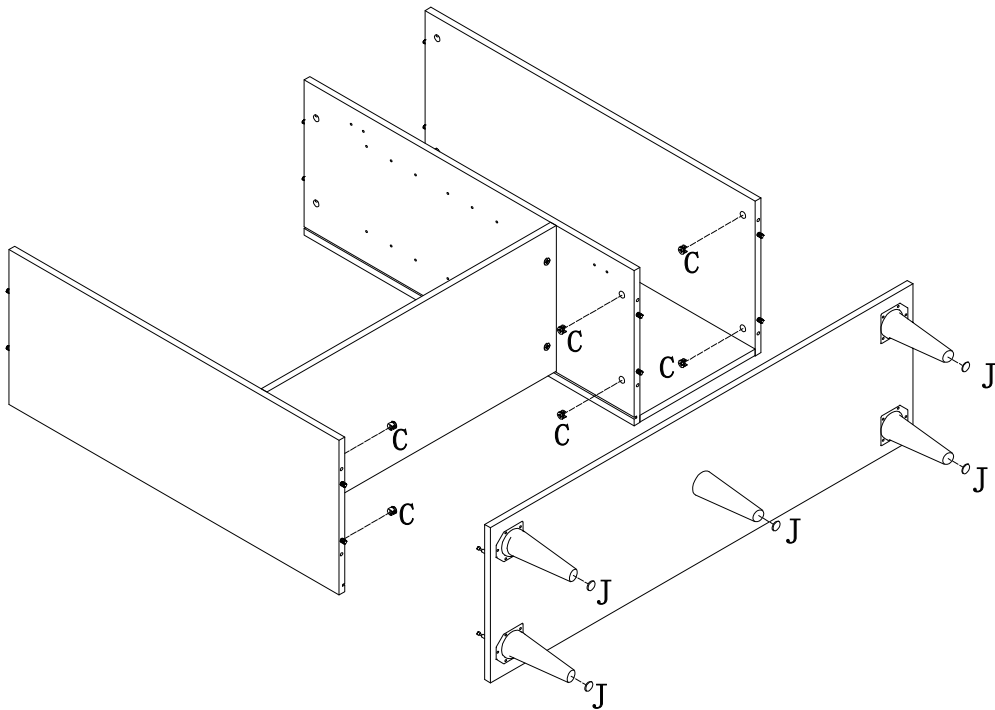
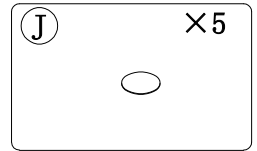
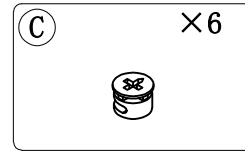
06



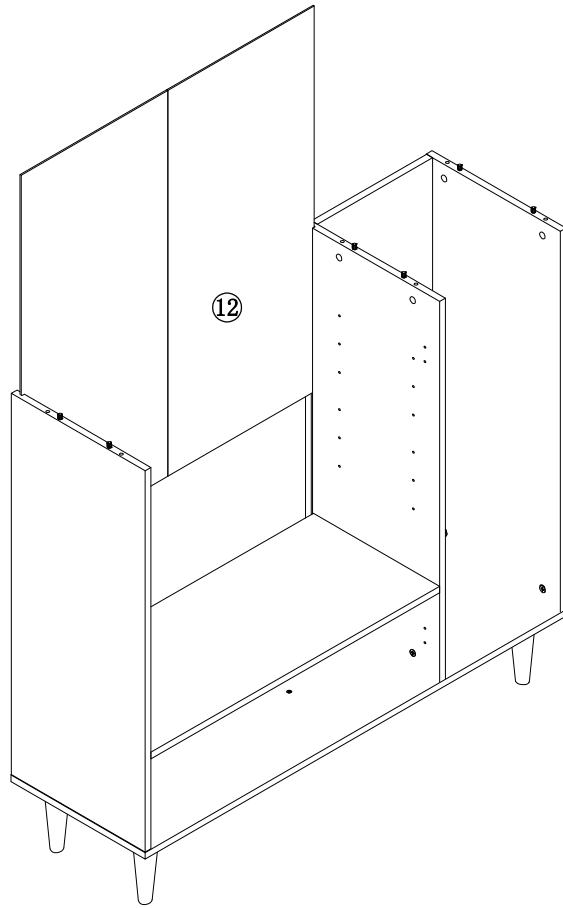
07



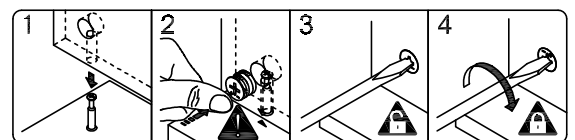
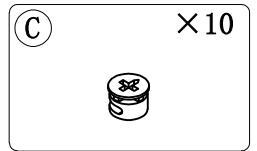
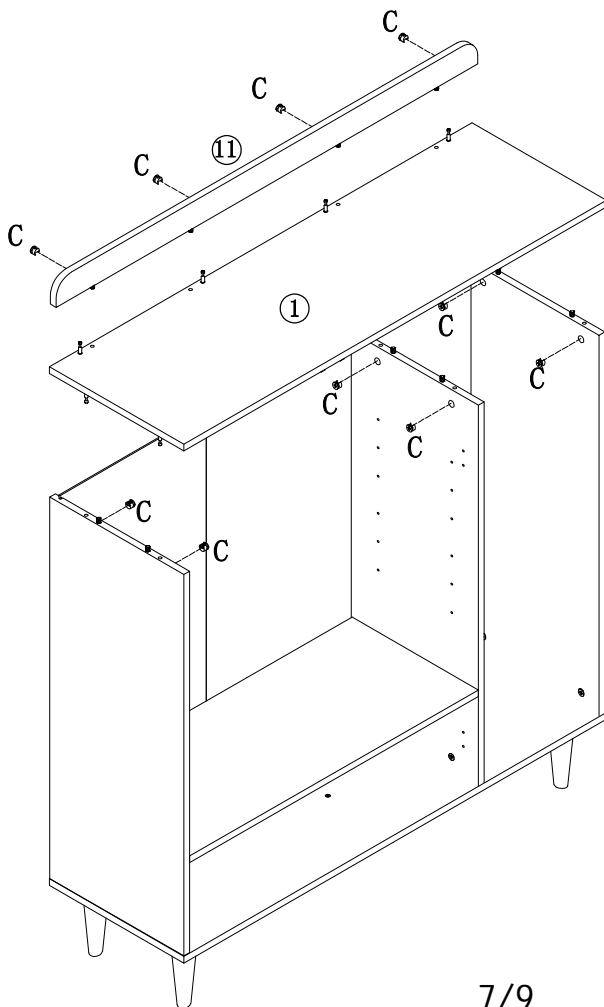
08



09



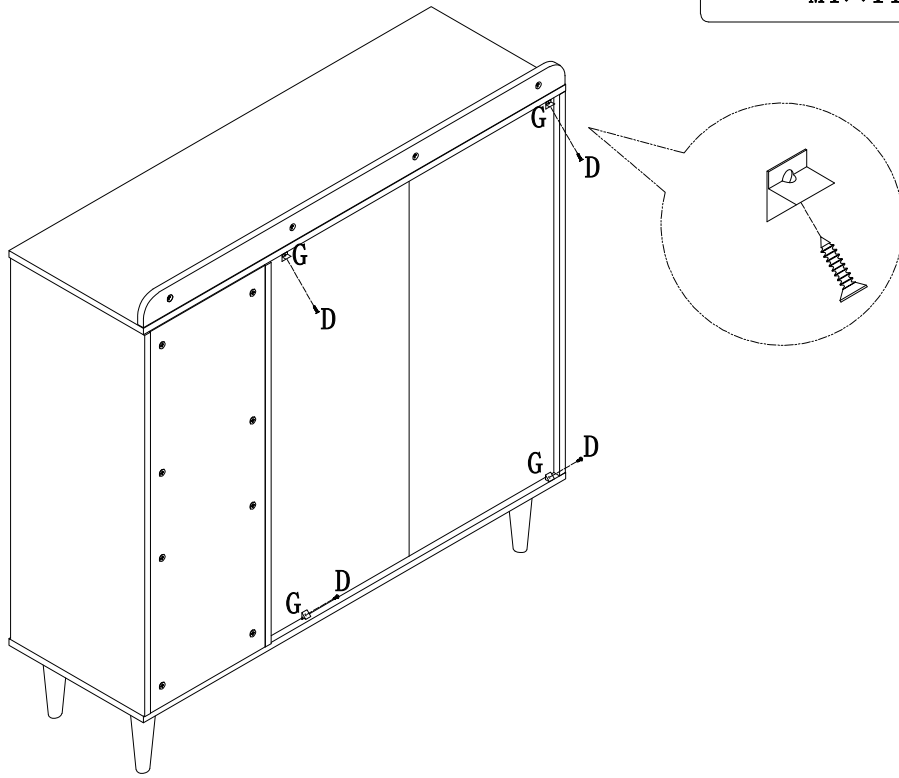
10



11

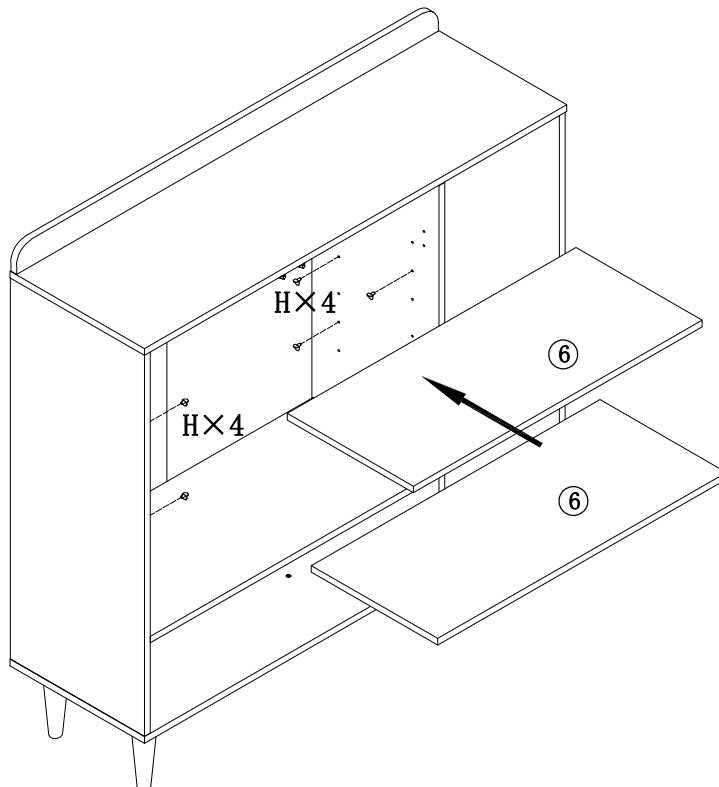
(D) ×4
M4×14mm

(G) ×4

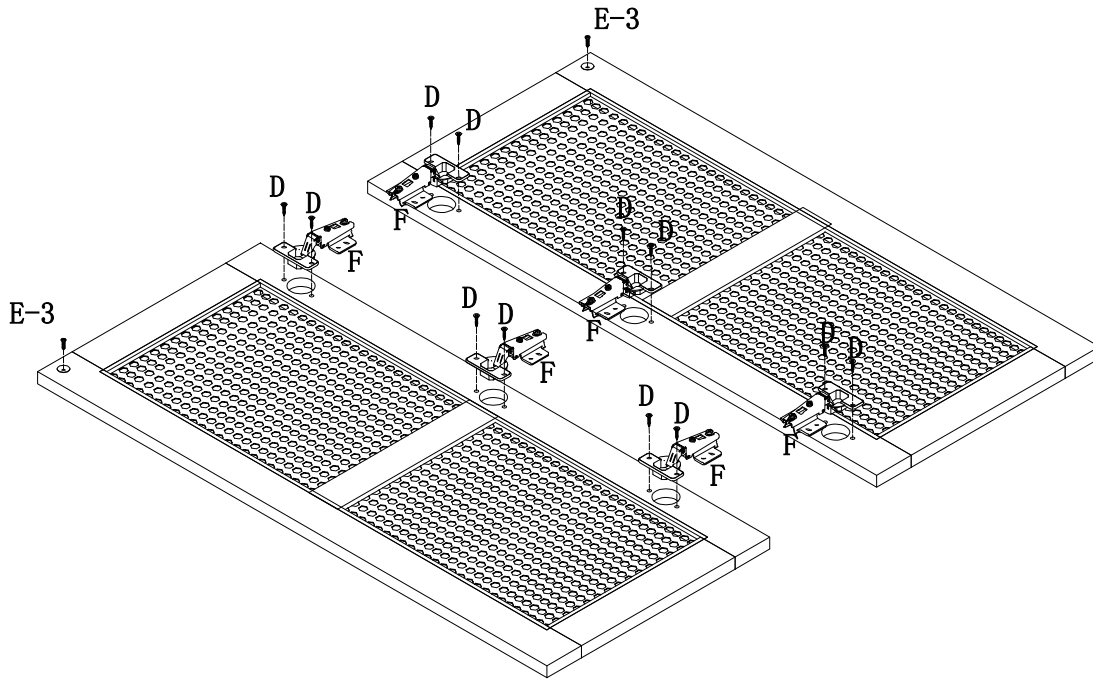
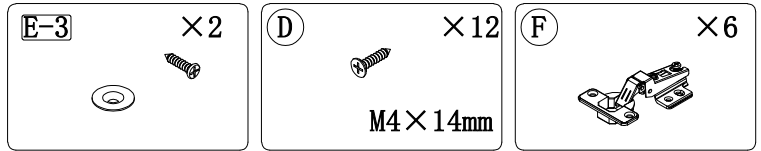


12

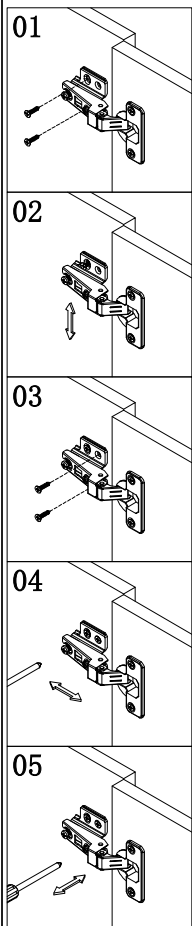
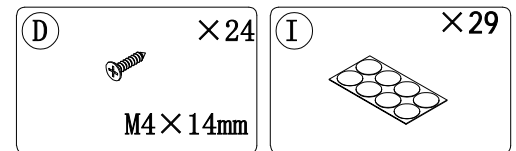
(H) ×8



13



14



01 assemble H*2 into holes on the left, please do not 100% tighten screws until complete step02

02 adjust door by up/down into proper place, tighten screws on step01

03 assemble H*2 into holes on the right, please do not 100% tighten screws

04 please loosen the screws to adjust door by left/right into proper place

05 tighten all the screws after door on proper place when it is open or close

