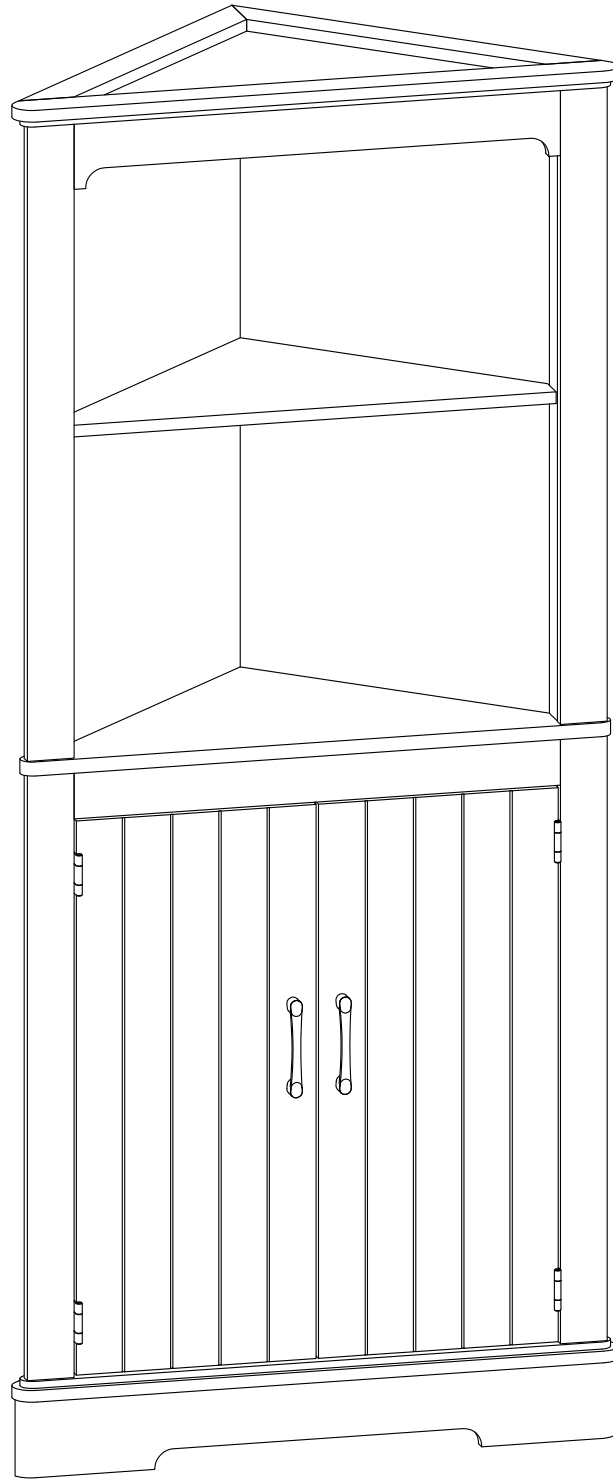
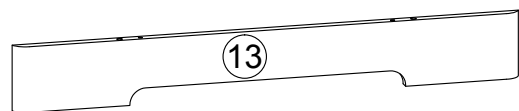
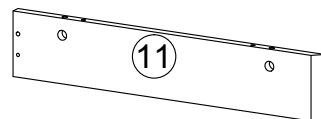
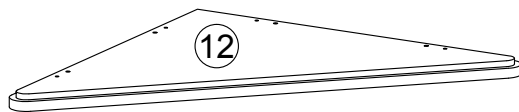
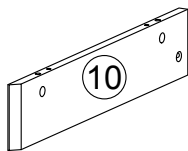
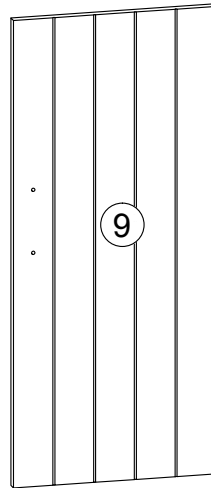
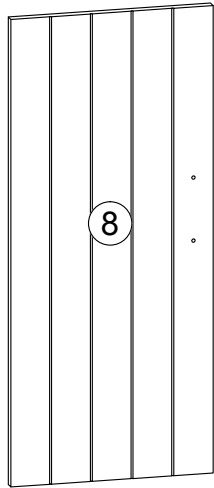
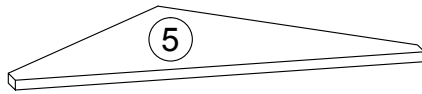
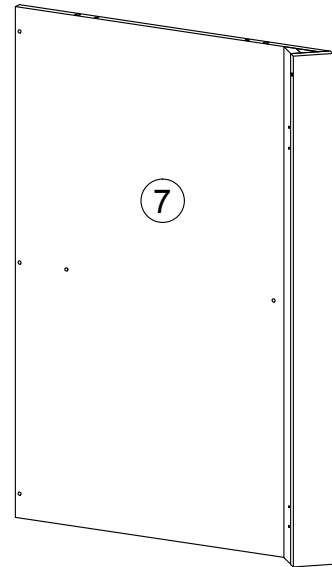
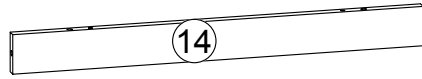
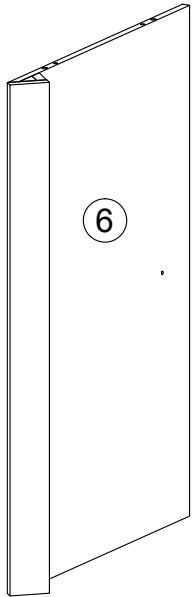
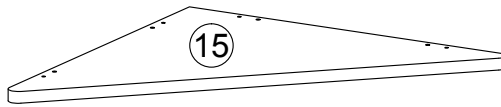
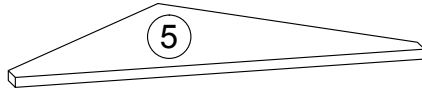
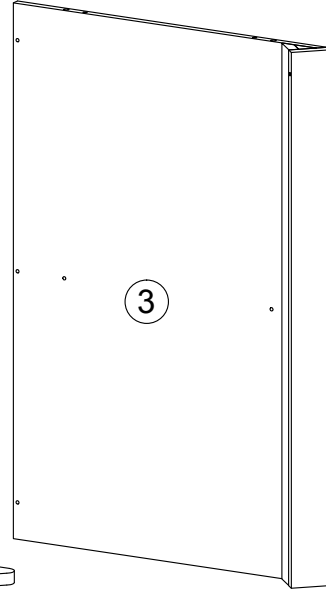
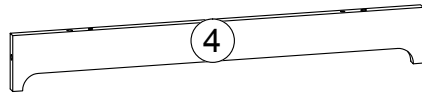
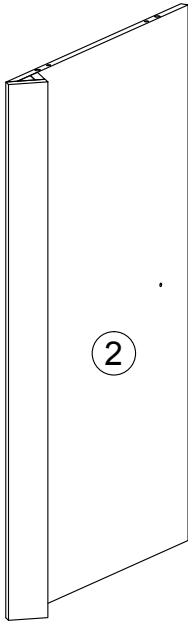
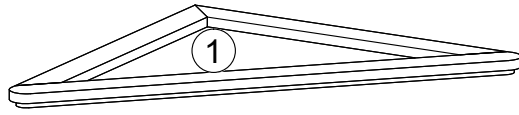


Assembly Instructions





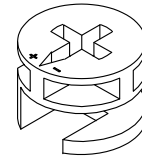
×31+2



(A)

Ø6*33mm

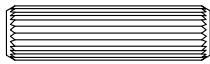
×31+2



(B)

Ø15*10mm

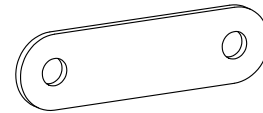
×27+2



(C)

Ø6*30mm

×2



(D)

45*12*1.5

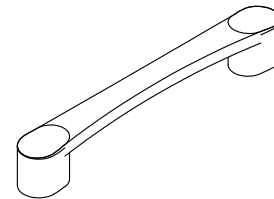
×6



(E)

Ø5*38mm

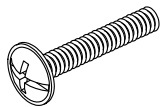
×2



(F)

96mm

×4



(G)

M4*22mm

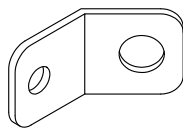
×8+1



(H)

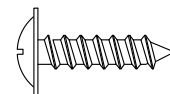
Ø5*19mm

×2



(I)

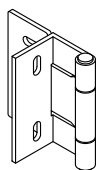
×6



(J)

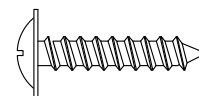
Ø3.5*12mm

×4



(K)

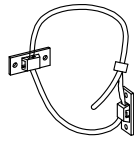
×16+2



(L)

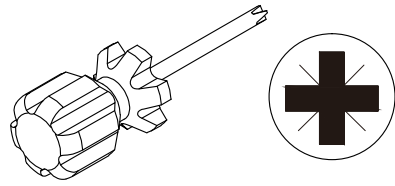
Ø3.5*14mm

×1



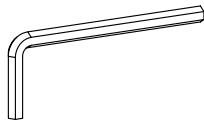
Ⓜ

×1



Ⓝ

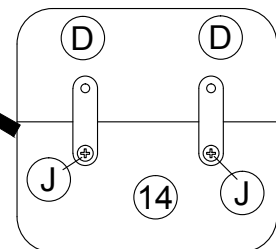
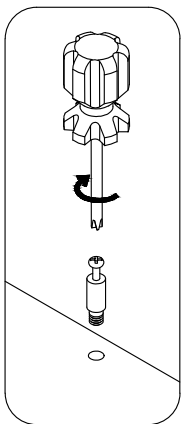
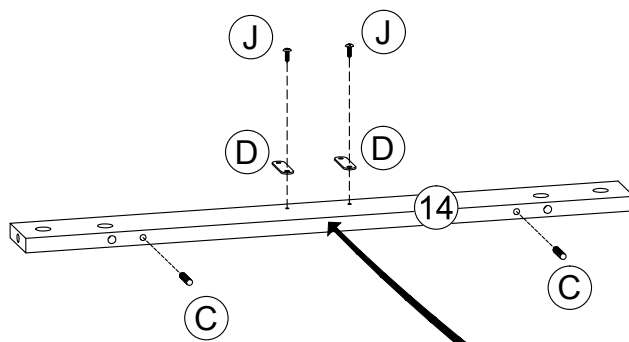
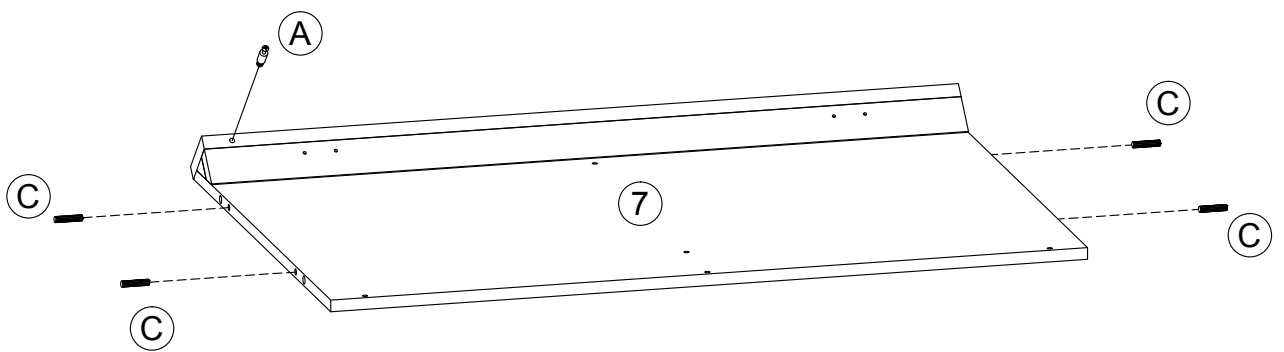
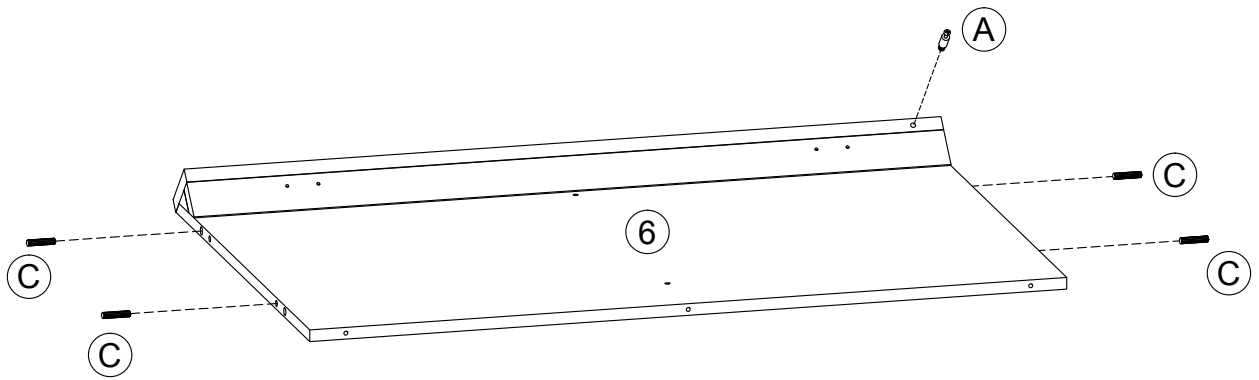
×1




Ⓞ

M3

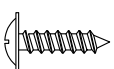
1



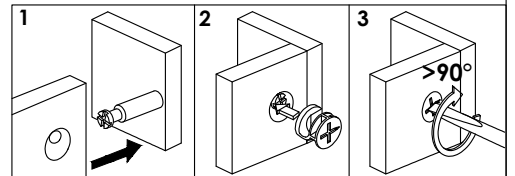
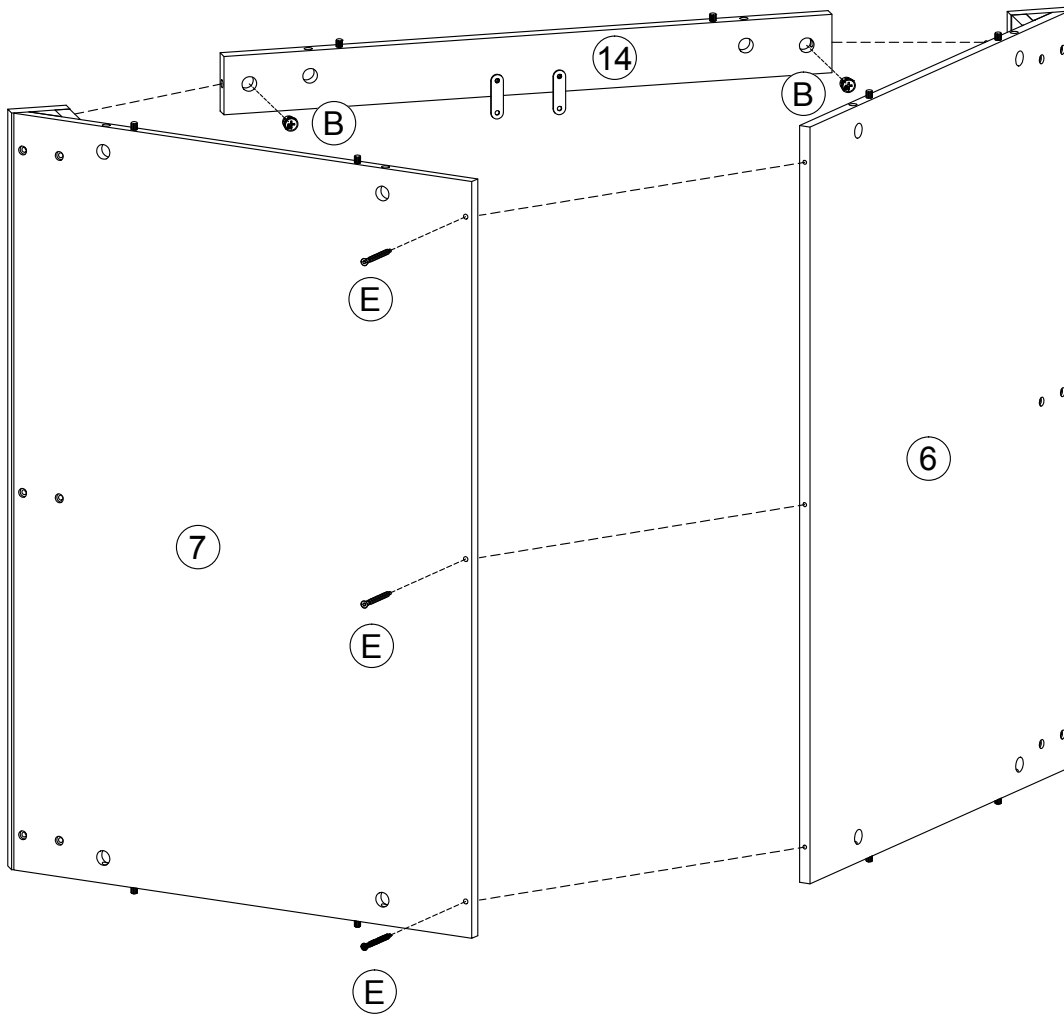
(A)  [×2]

(C)  [×10]

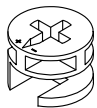
(D)  [×2]

(J)  [×2]

2



(B)



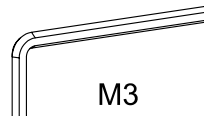
[x2]

(E)



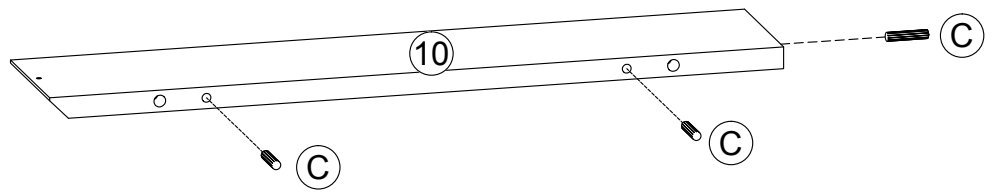
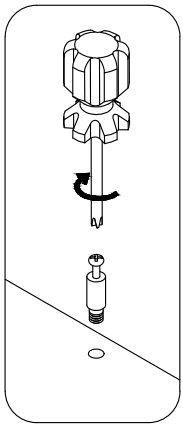
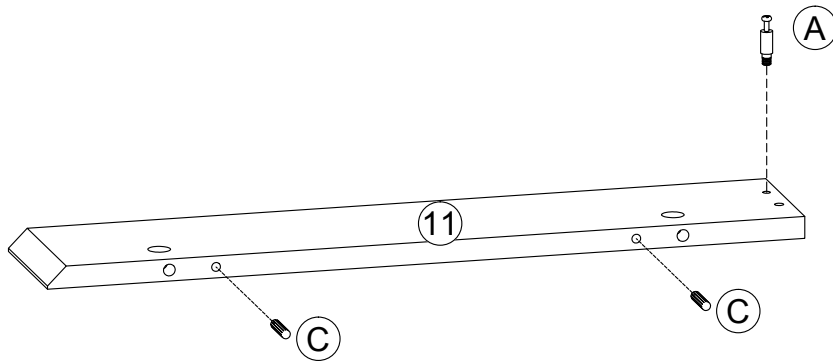
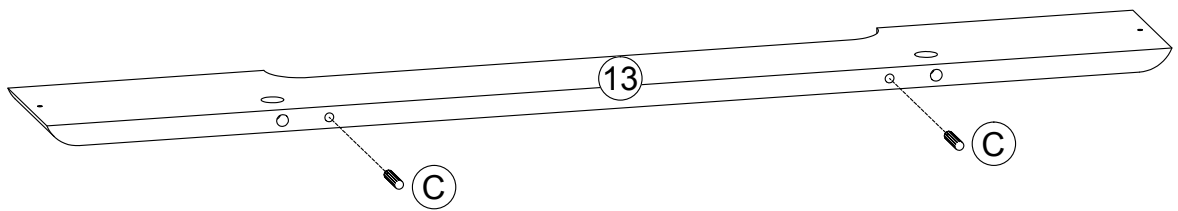
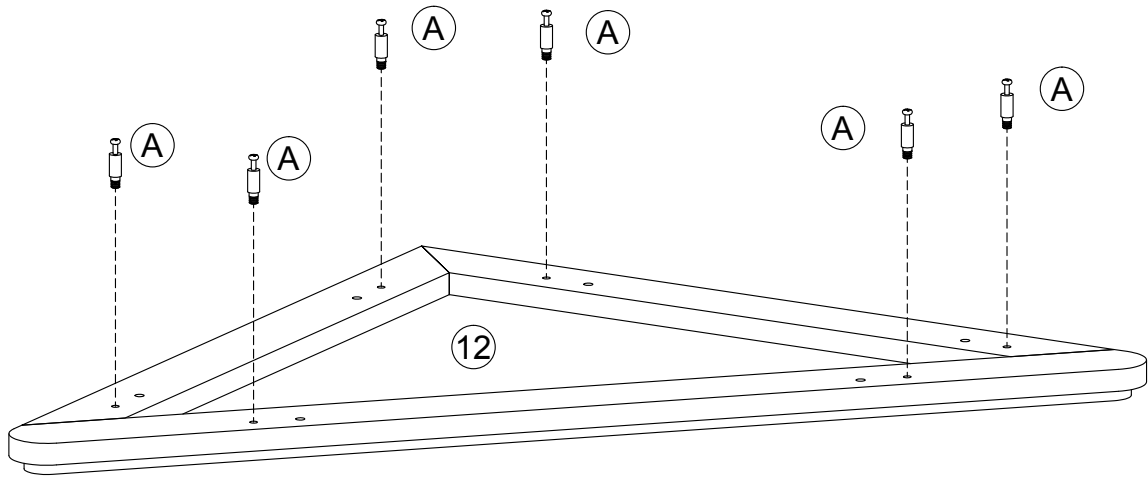
[x3]

(O)



M3

3



A



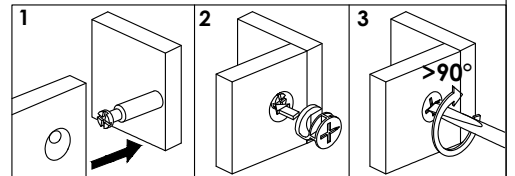
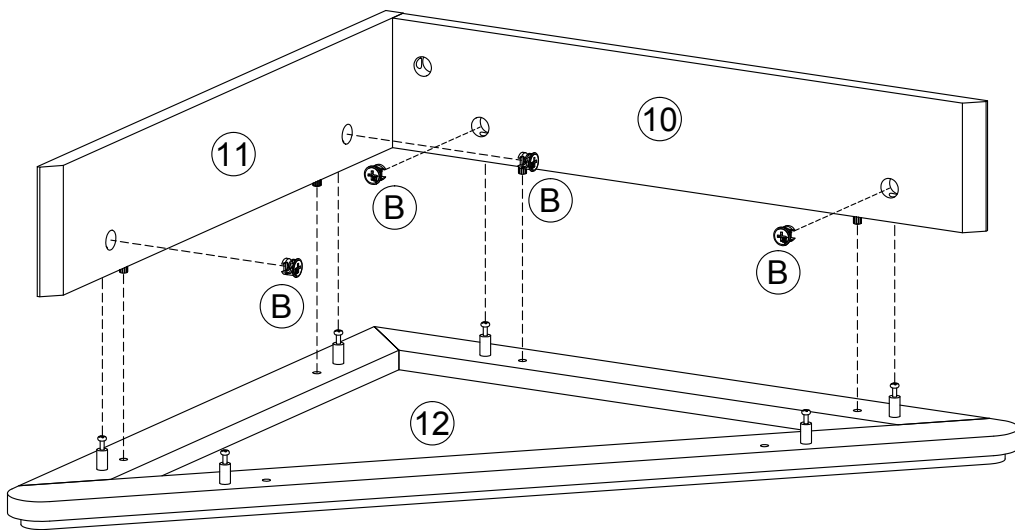
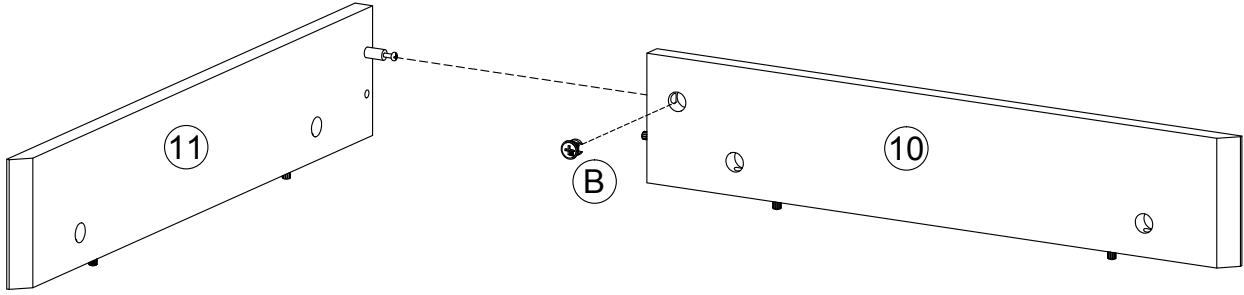
[x7]

C

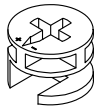


[x7]

4

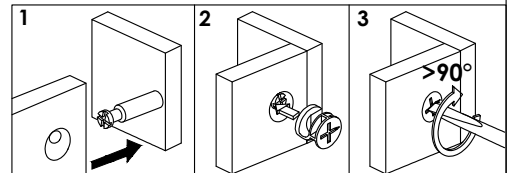
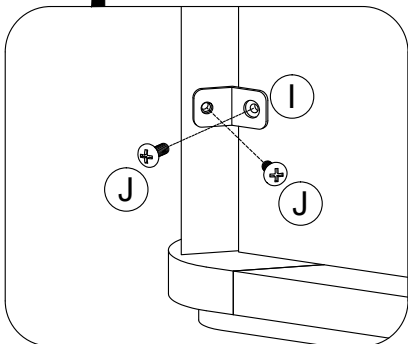
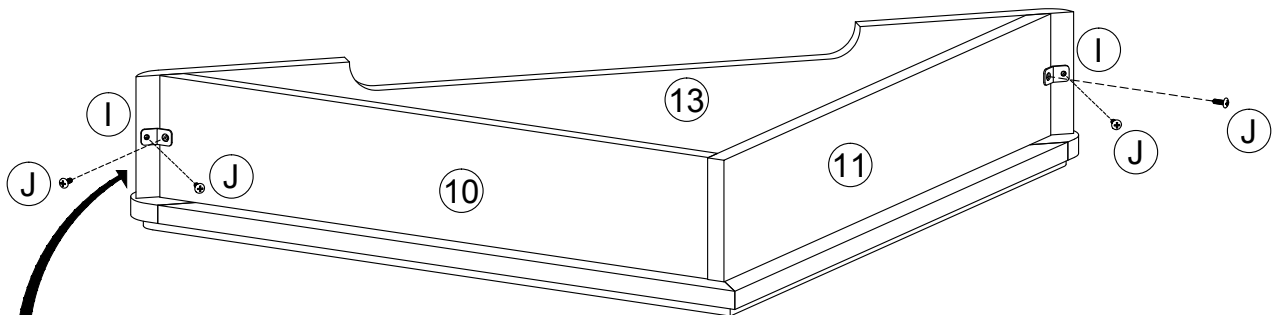
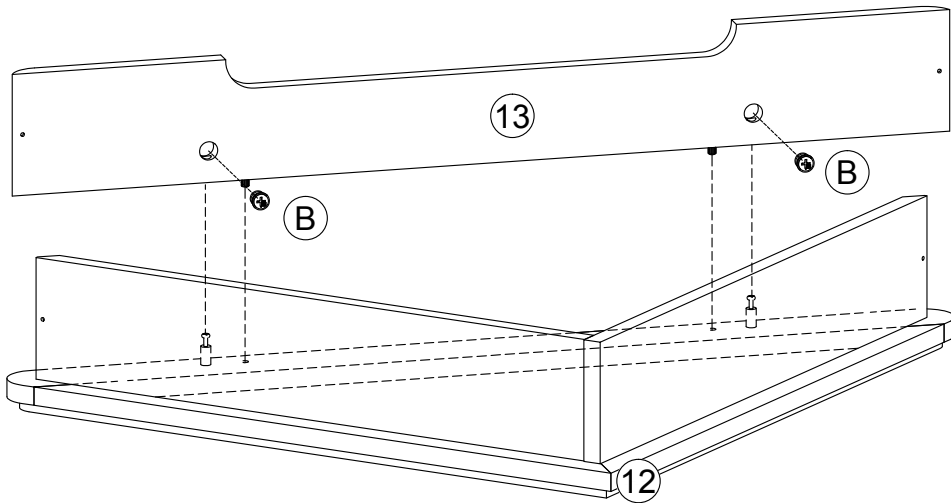


B




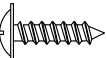
[x5]

5

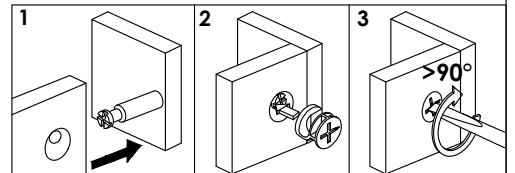
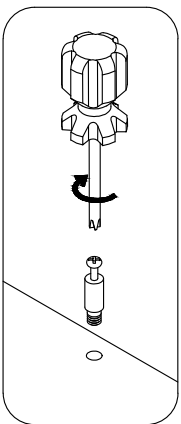
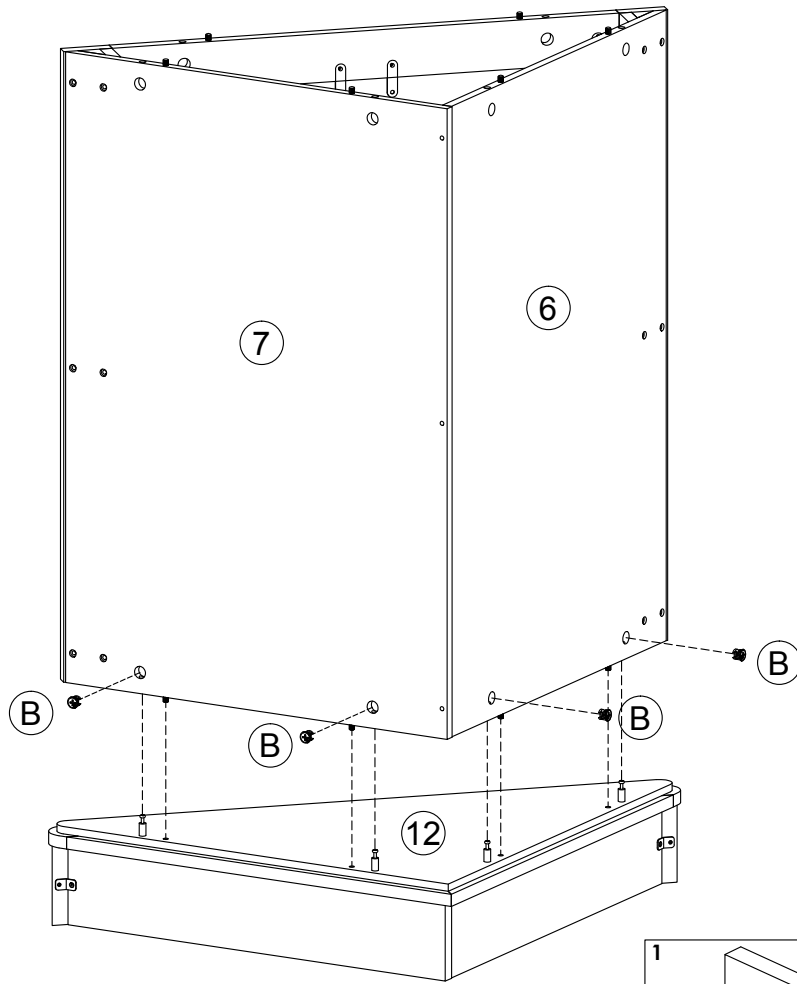
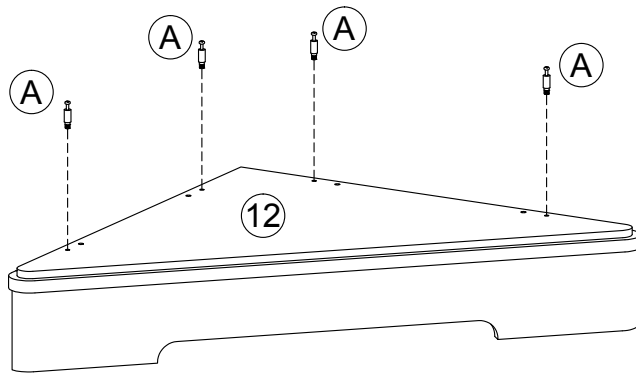


B  **[x2]**

I  **[x2]**

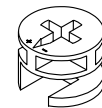
J  **[x4]**

6

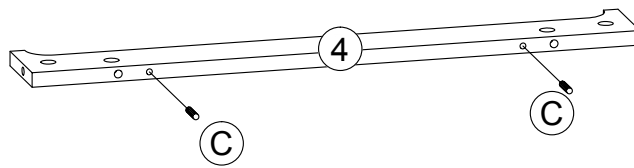
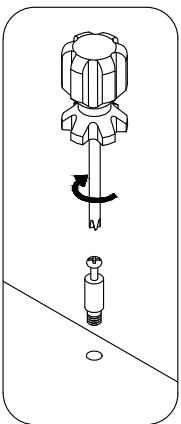
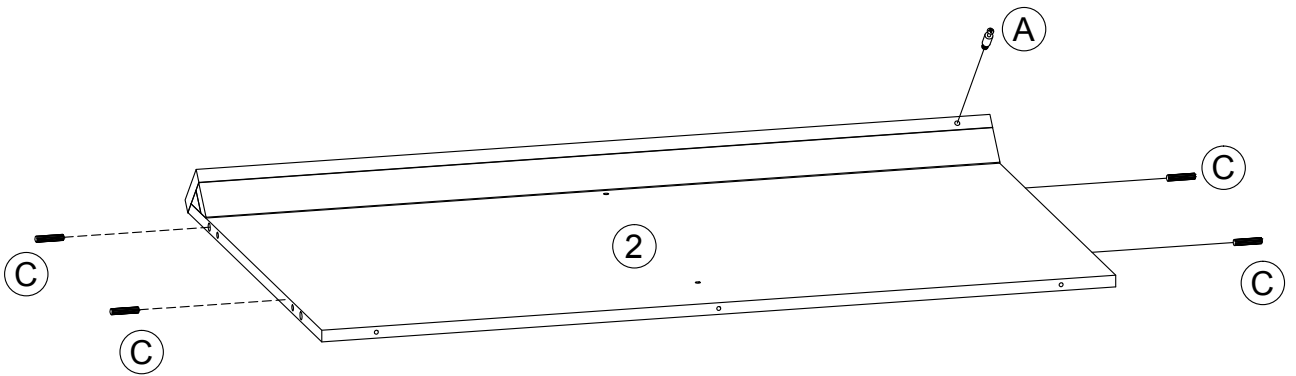
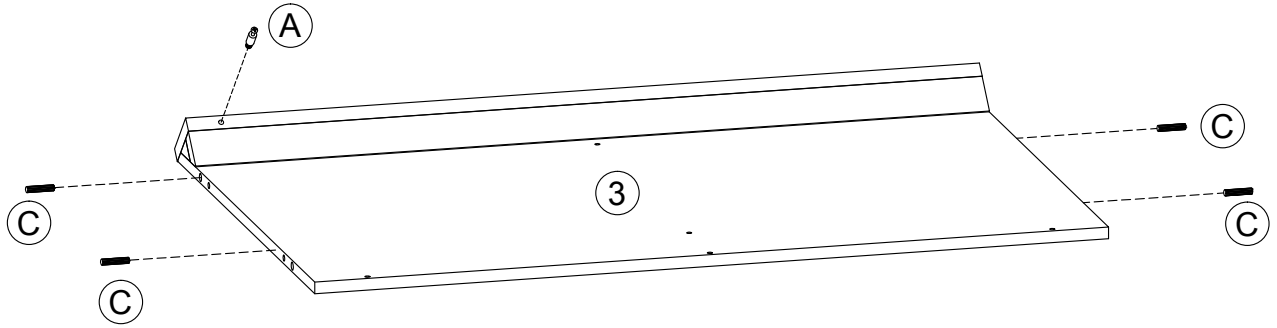


A [x4]

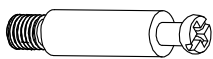
B [x4]



7



A



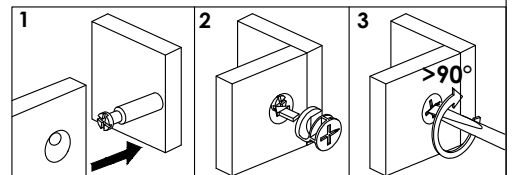
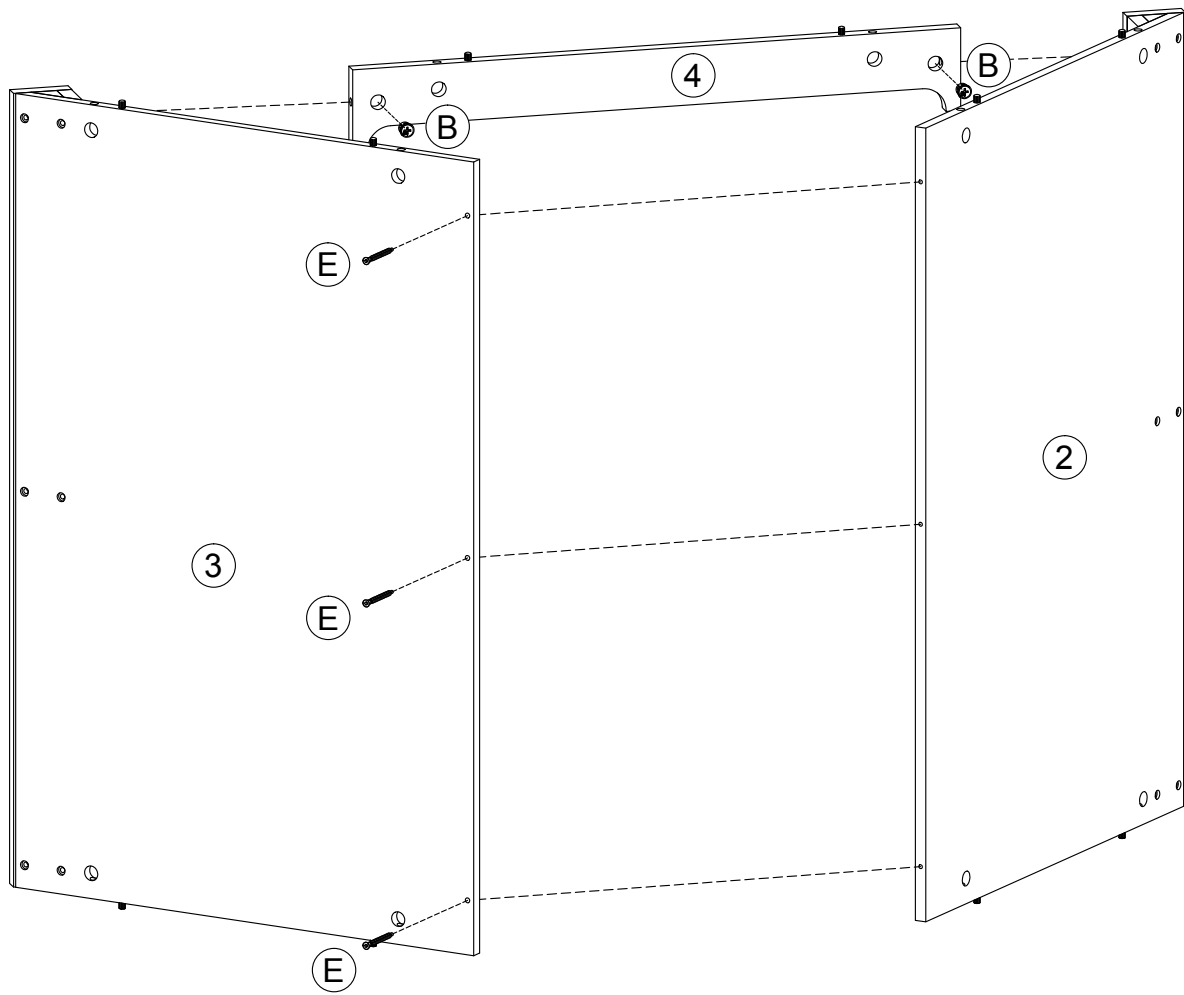
[x2]

C

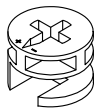


[x10]

8



(B)



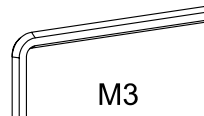
[x2]

(E)



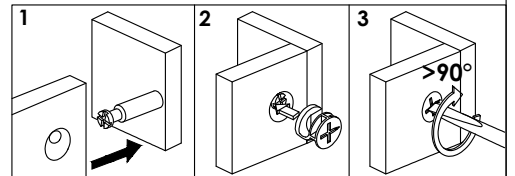
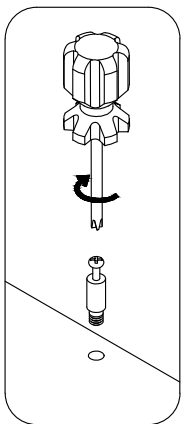
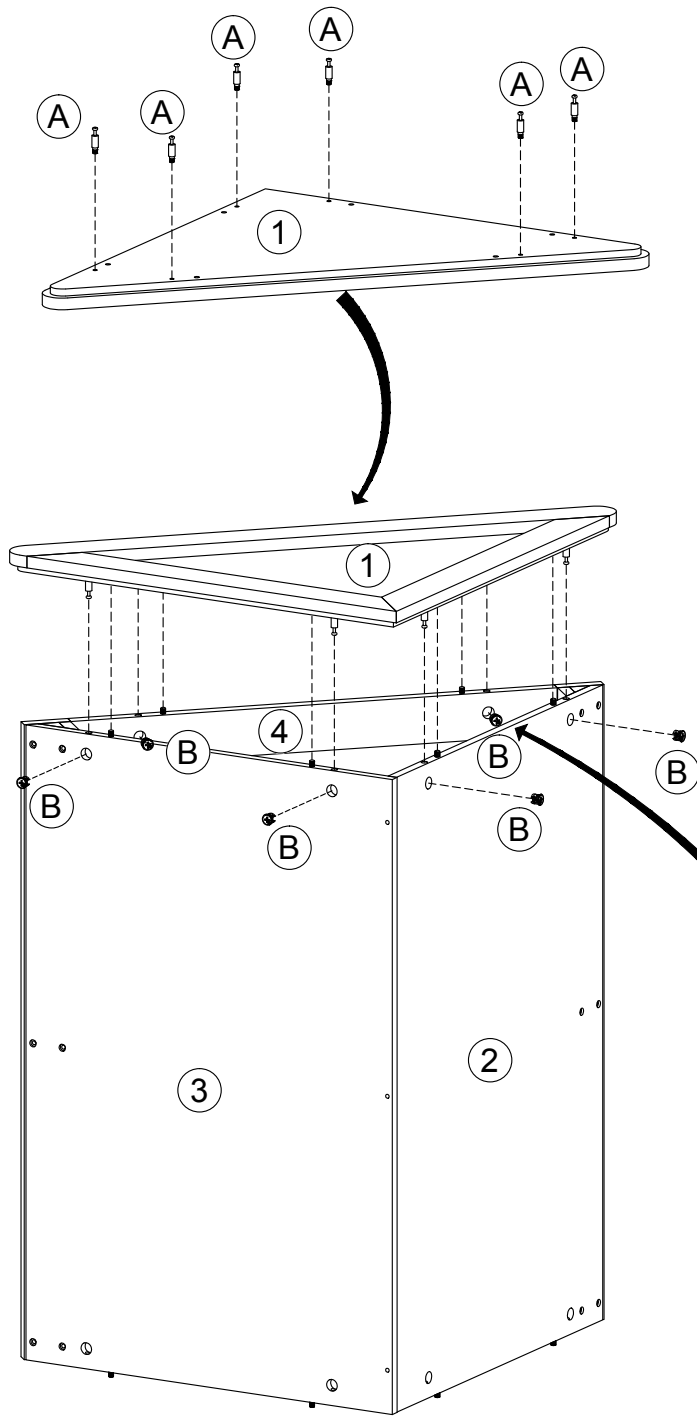
[x3]

(O)



M3

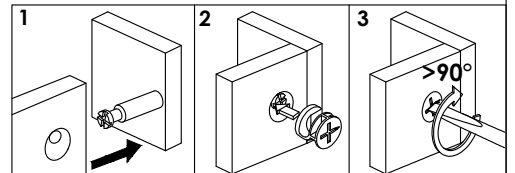
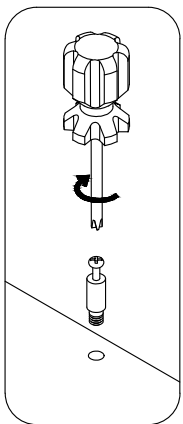
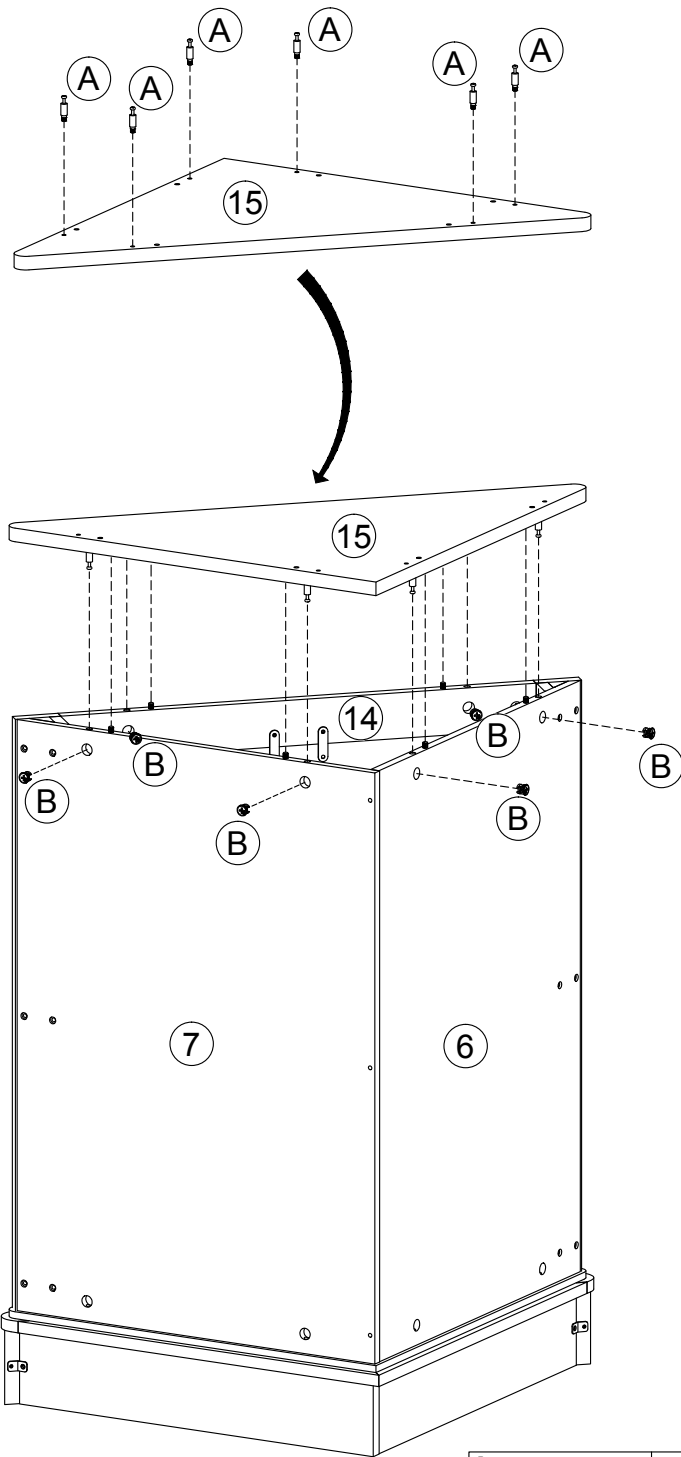
9



(A)  [x6]

(B)  [x6]

10

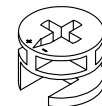


A



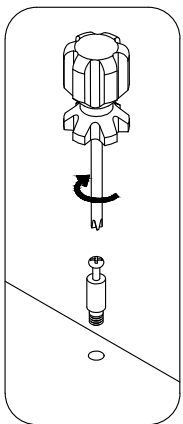
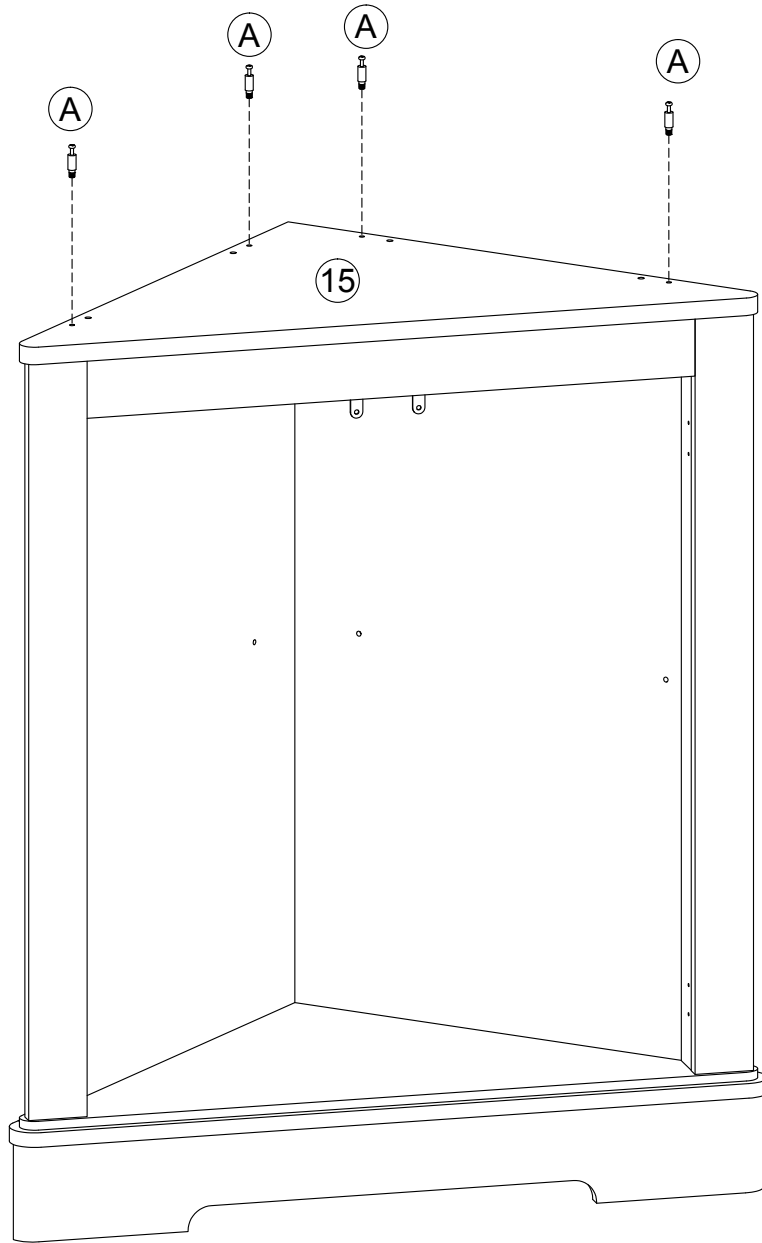
[x6]

B



[x6]

11

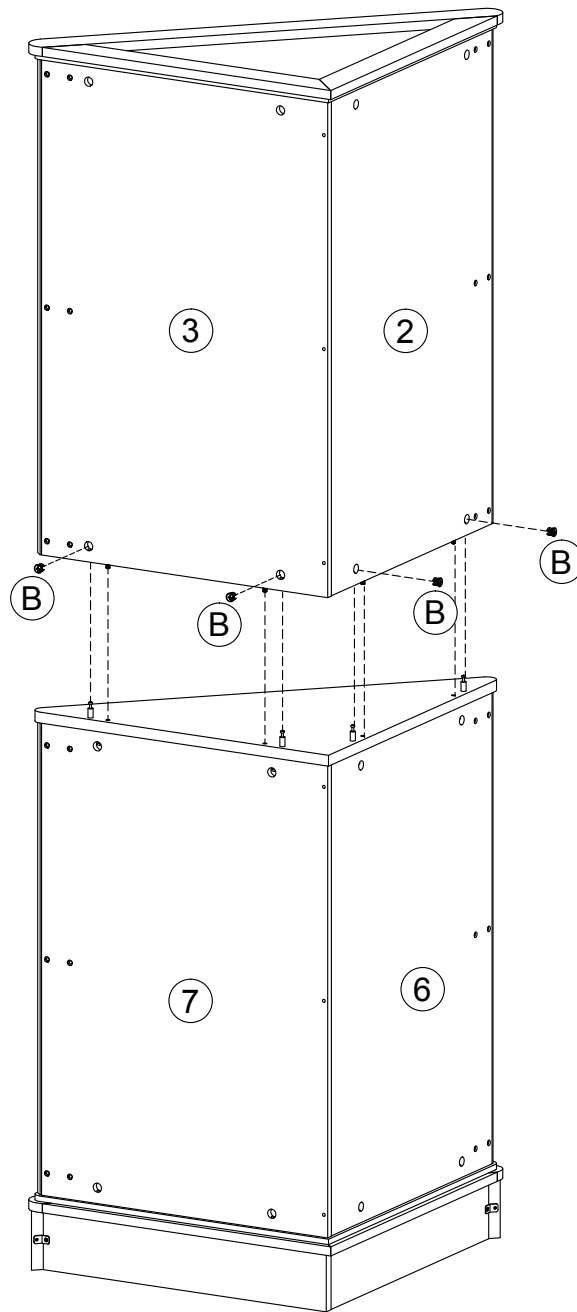


A

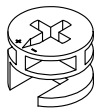


[x4]

12

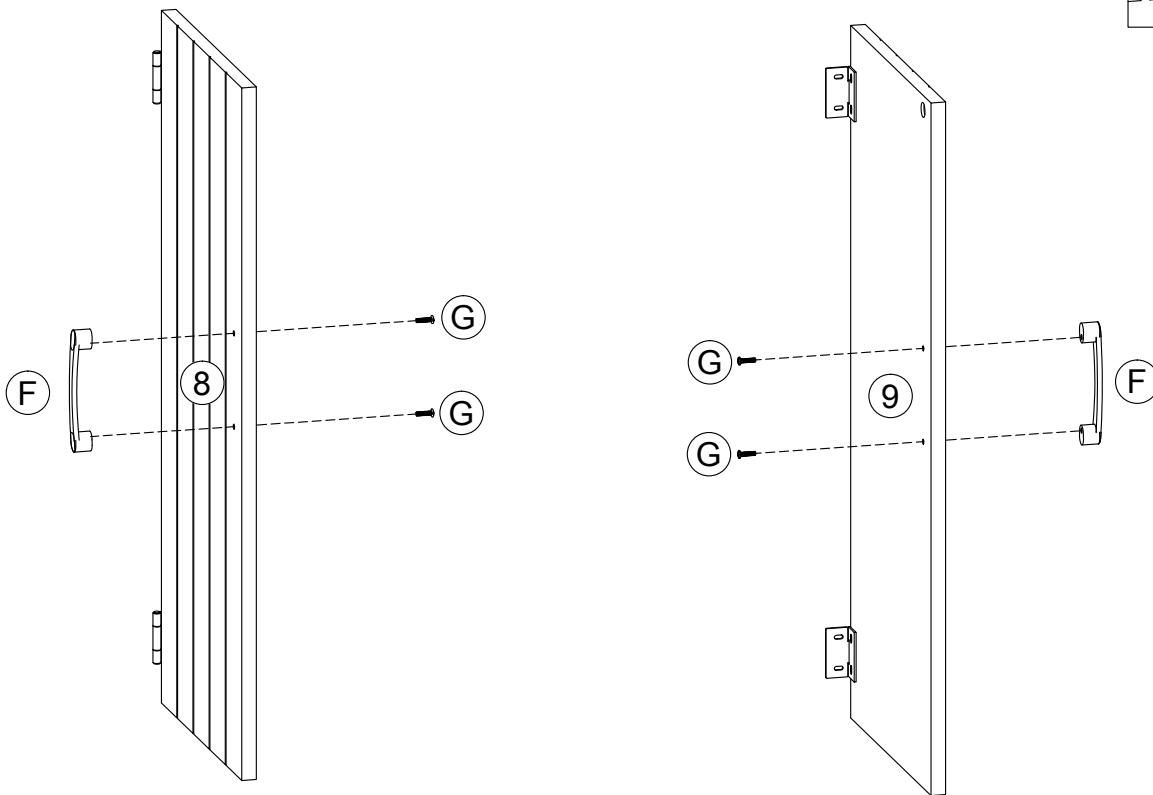
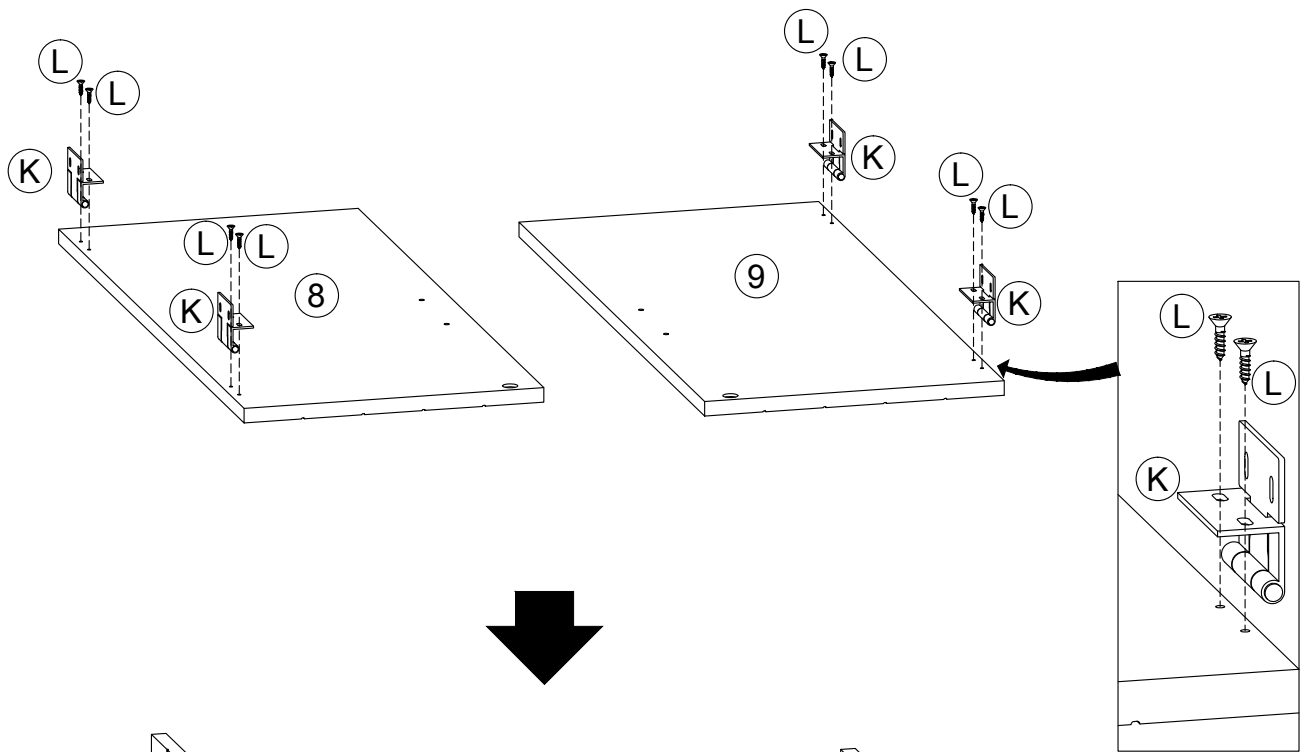


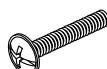
(B)

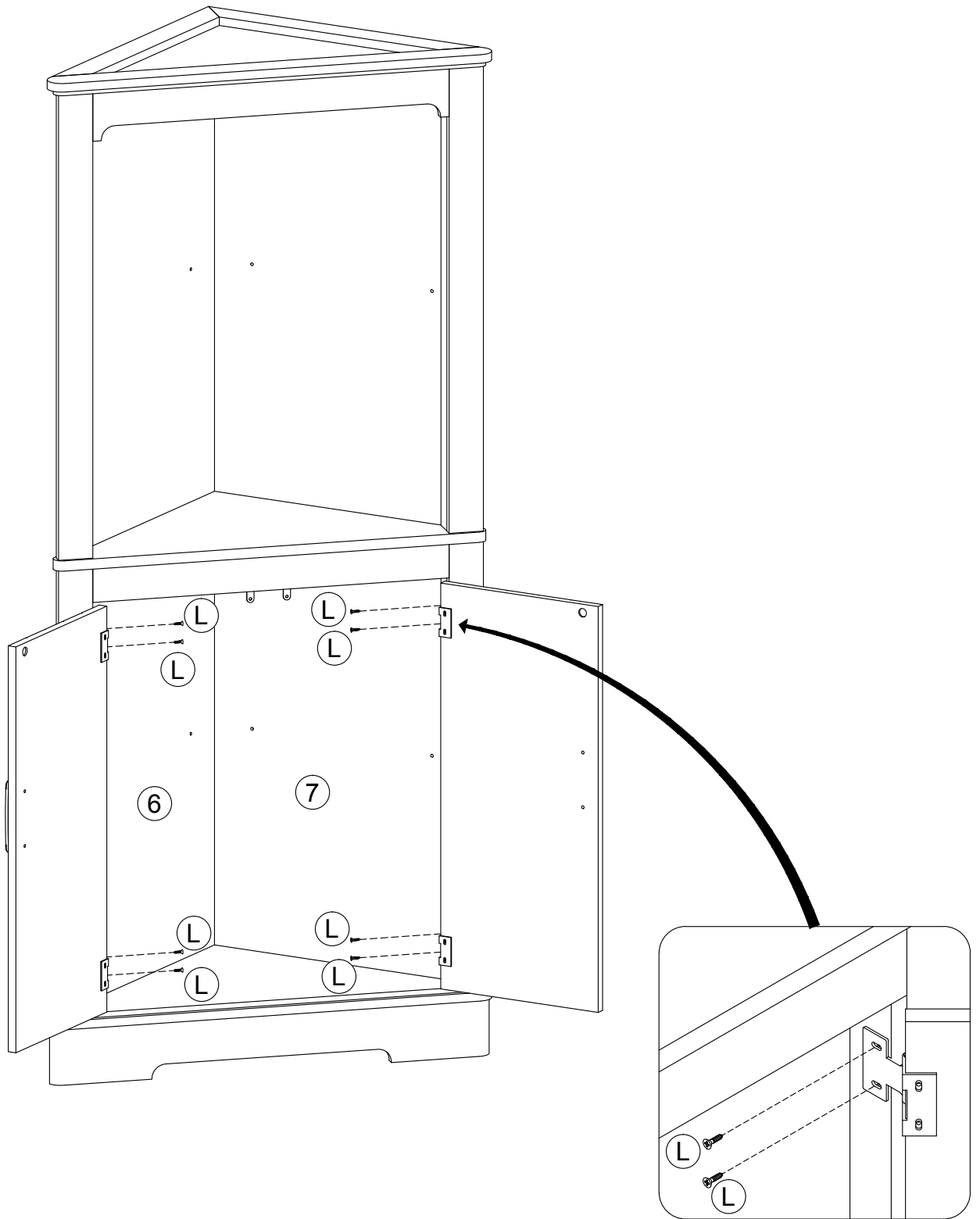


[x4]

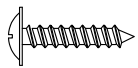
13



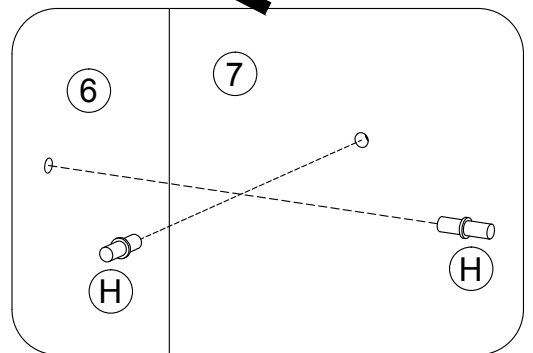
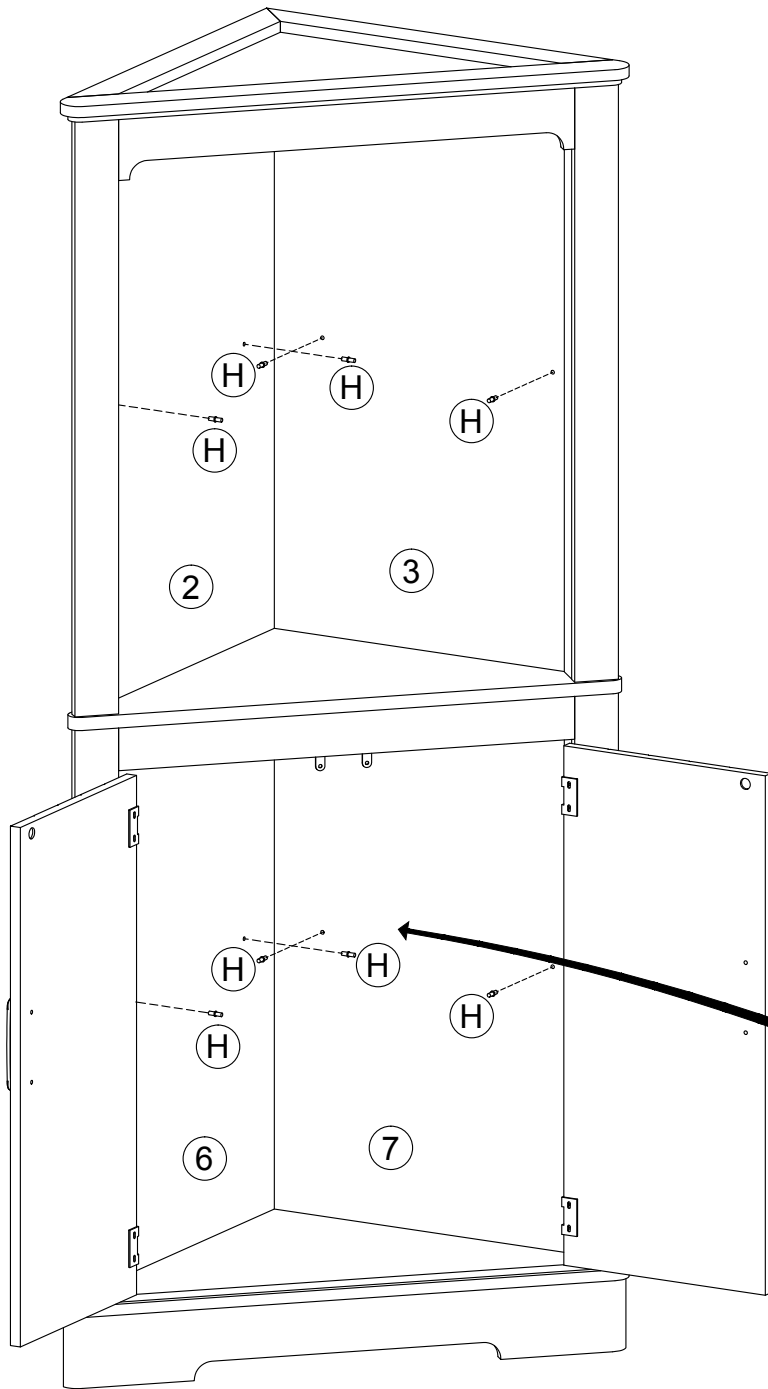
(K)		[x4]	(L)		[x8]
(F)		[x2]	(G)		[x4]



(L)



[x8]

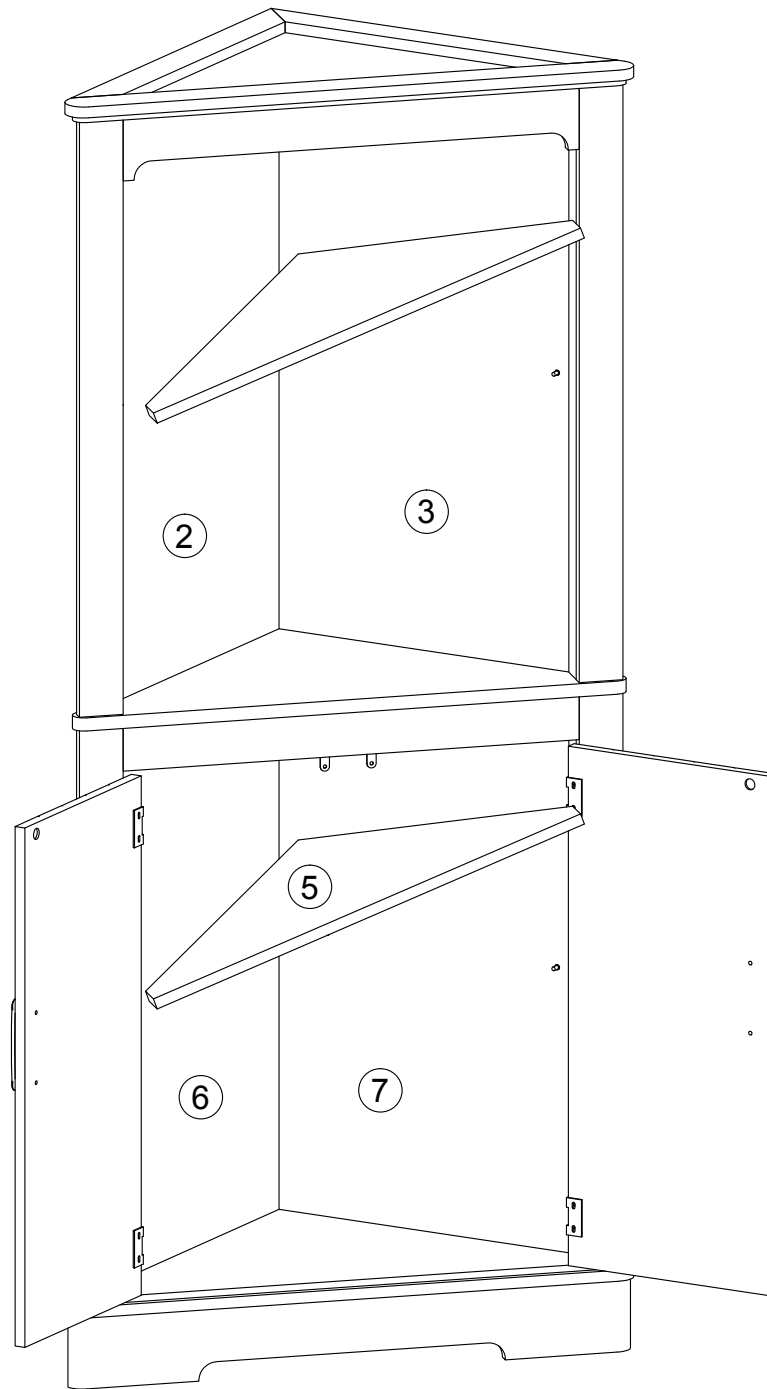


Ⓜ

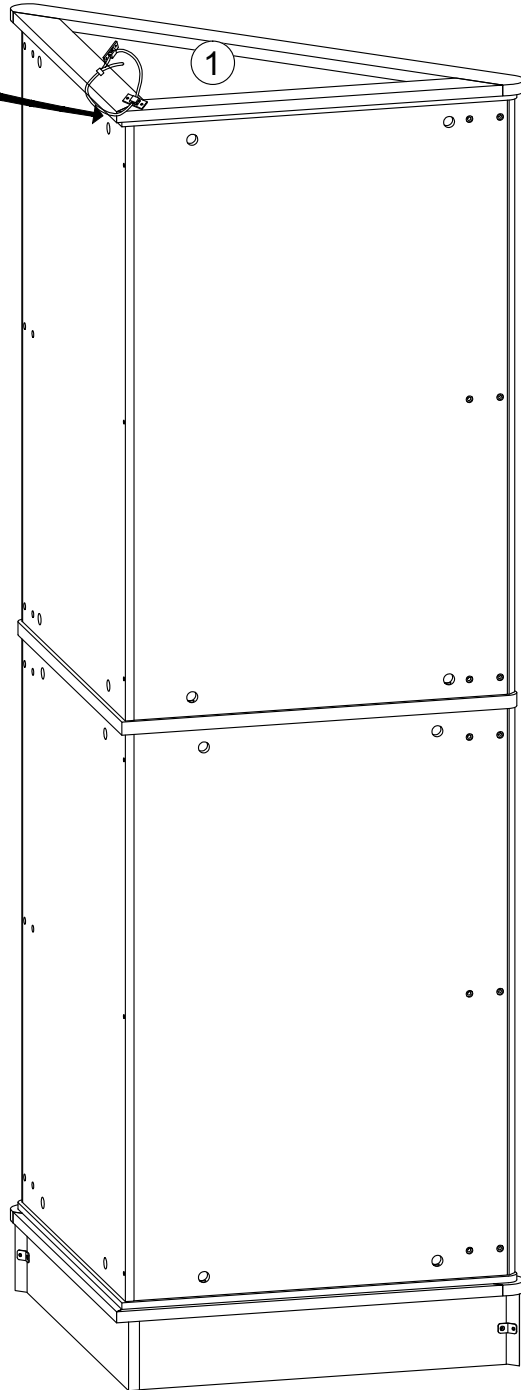
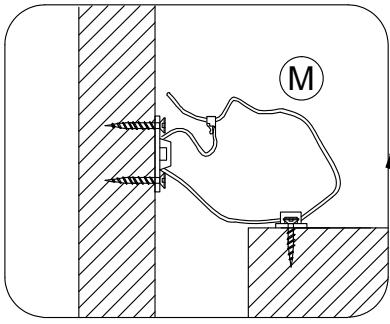


[×8]

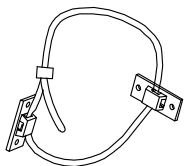
16



17



M



[x1]