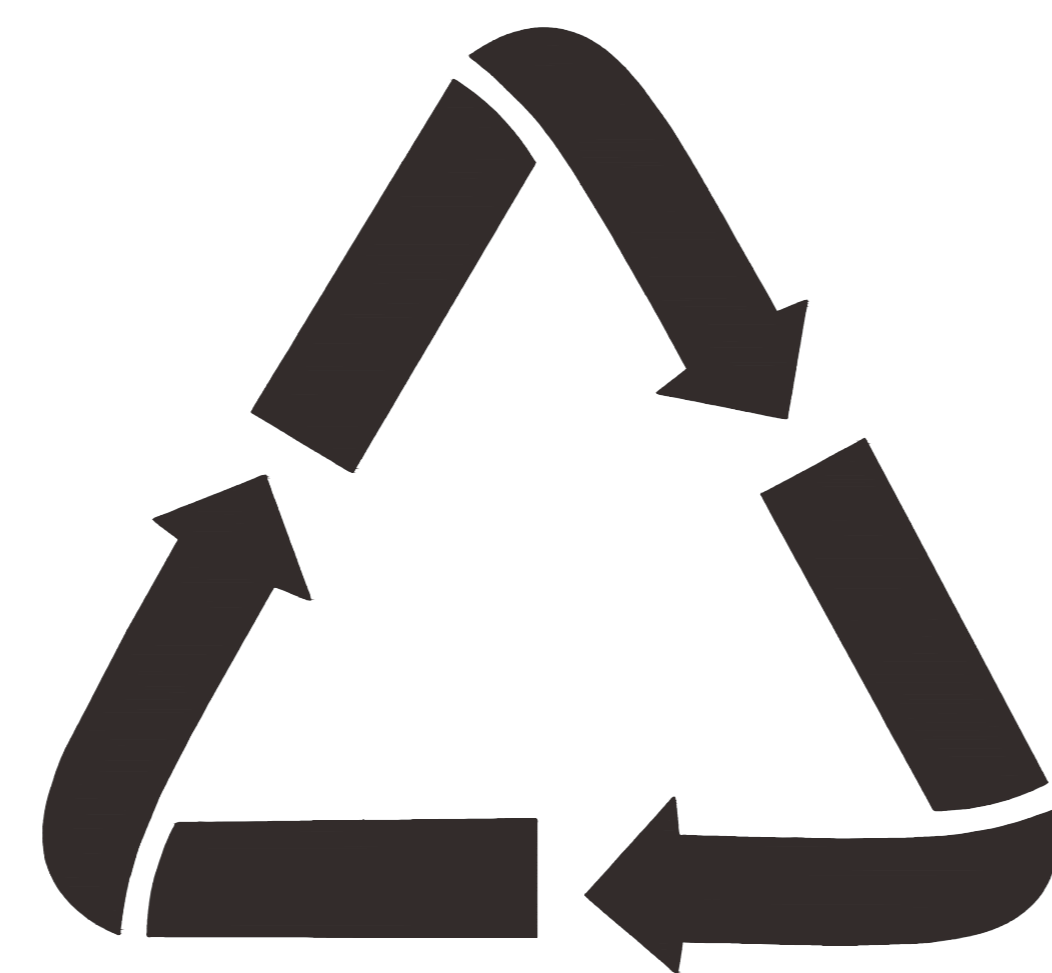


BUNK-BED ASSEMBLYINSTRUCTIONS



Recyclable garbage

BUNK-BED ASSEMBLYINSTRUCTIONS

SAFETY WARNINGS AND GENERAL NOTES:

1. Follow the information on the warnings on the bunk bed end structure and on the carton. Do not remove the warning label from the bed.
2. Always use the recommended size mattress on mattress support, or both, to help prevent the likelihood of entrapment or falls.
3. Do not allow children under 6 years of age to use the upper bunk.
4. Periodically check and ensure the guardrail, ladder and other components are in their proper position, free from damage, and all connectors are tight.
5. Do not allow horseplay on or under beds.
6. Always prohibit jumping on the bed.
7. Prohibit more than one person on upper bunk.
8. Always use the ladder for entering and leaving the upper bunk.
9. Do not use substitute parts. Contact the manufacturer or dealer for replacement parts.
10. Use of a night-tight may provide added safely precaution for a child using the upper bunk.
11. Always use guardrails on both long sides of the upper bunk.
12. If the bunk bed will be placed next to a wall, the guardrail that runs the full length of the bed should be placed against the wall to prevent entrapment between the bed and the wall.
13. The use of water or sleep flotation mattresses is prohibited.
STRANGULATION HAZARD- Never attach or hang items to any part of the bunk bed that are not designed for use with the bed.
14. Keep these instructions for future reference.
15. We recommend assembling your bunk bed on the shipping carton to protect your floor or carpet.
16. Be certain all staples are out of the box before beginning assembly on the shipping carton.
17. USE ONLY MATTRESSES WHICH ARE AS THE TABLE BELOW ON UPPER AND ON LOWER BUNKS.

Down bed

Bed type	Length	Width	Thickness
Twin Standard	74" - 75"	38Vz	8" max

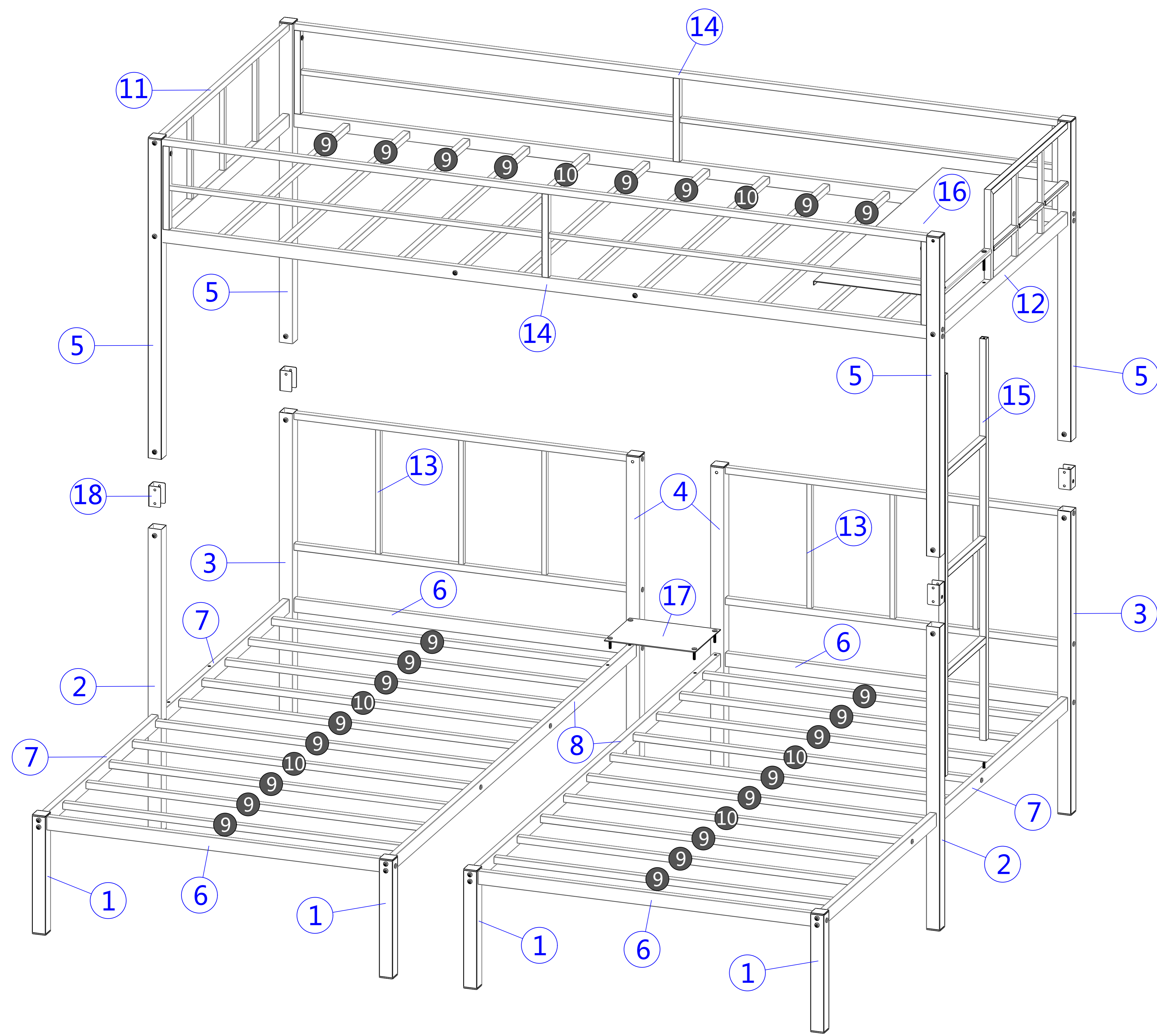
Up bed (bunk bed and tribed included)

Bed type	Length	Width	Thickness
Twin Standard	74" -75"	38 Vi	6" max

18. SURFACE OF MATTRESS MUST BE AT LEAST 5" (127MM) BELOW THE UPPER EDGE OF GUARDRAILS.

19. Replacement Parts:

Replacement Parts, including additional guardrails, may be obtained from any of our dealers



PARTLIST

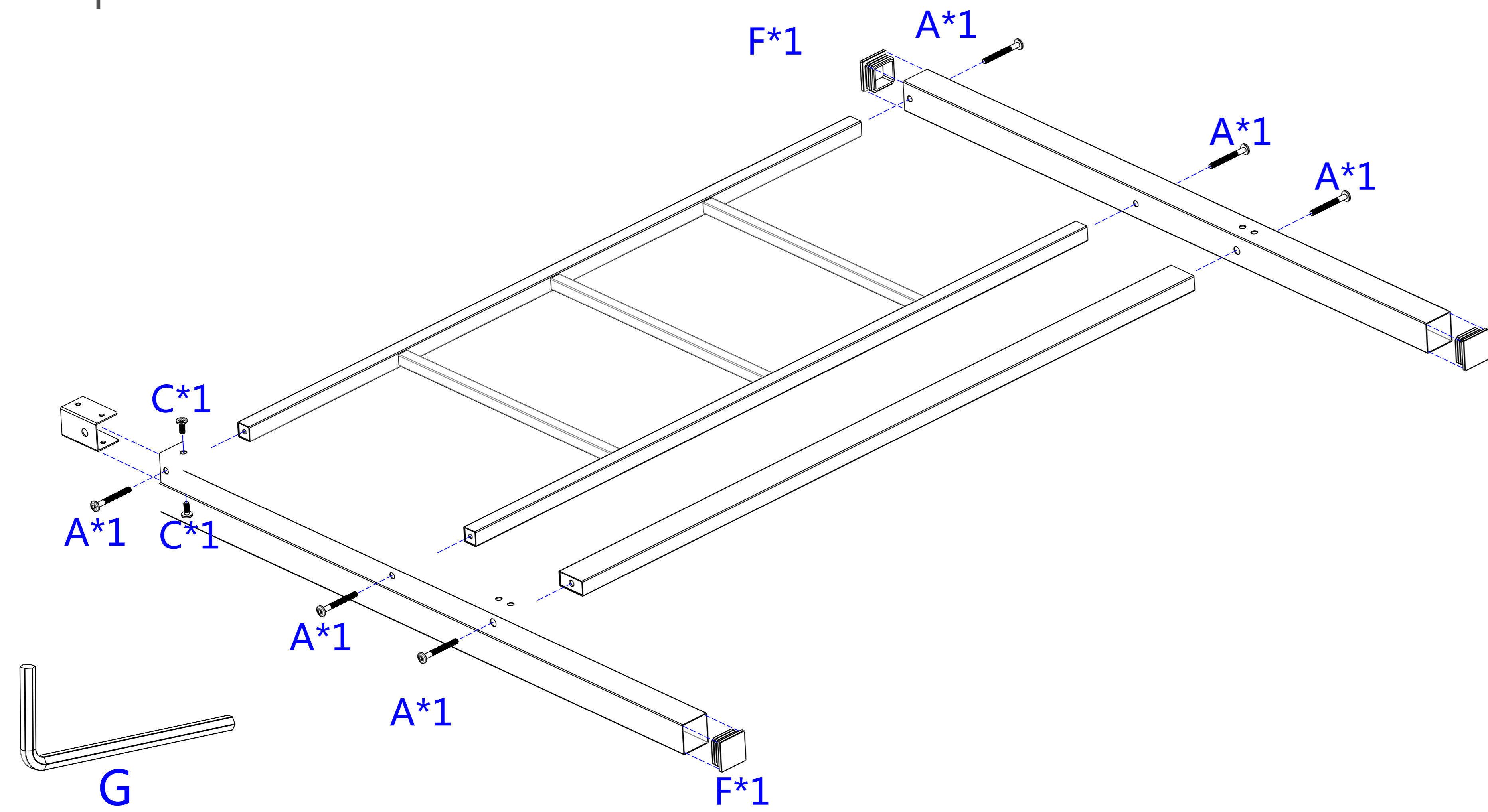
1-4pcs	2-2pcs	3-2pcs	4-2pcs	5-4pcs	6-4pcs

<p>Stair screw hole</p>	<p>#17 Installation hole</p>		
7-2pcs	8-2pcs		
9-26pcs	10-6pcs		
11-1pcs	12-1pcs		
13-2pcs	14-2pcs		
15-1pcs	16-1pcs	17-1pcs	18-4pcs

HARDWARE LIST

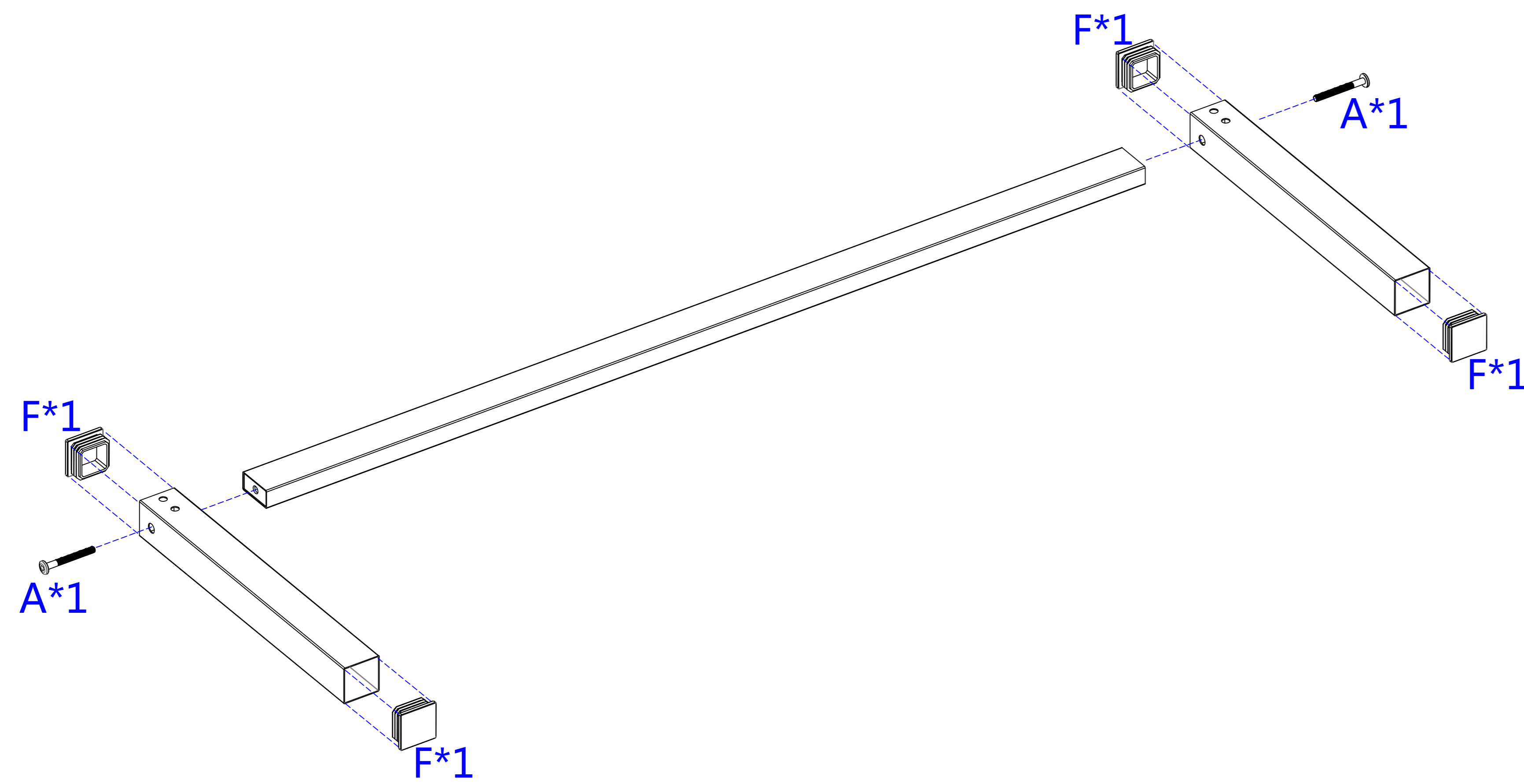
A	B	C	D	E	F	G
4*60-51pcs	4*30-4pcs	4*16-32pcs	4*45-4pcs	M6-4pcs	40X40-24pcs	M4X60-3pcs

Step 1: Use hardware A, C, F, G to connect #3, #3, #3, #6, #3, #3, #18 together to get a component 1.



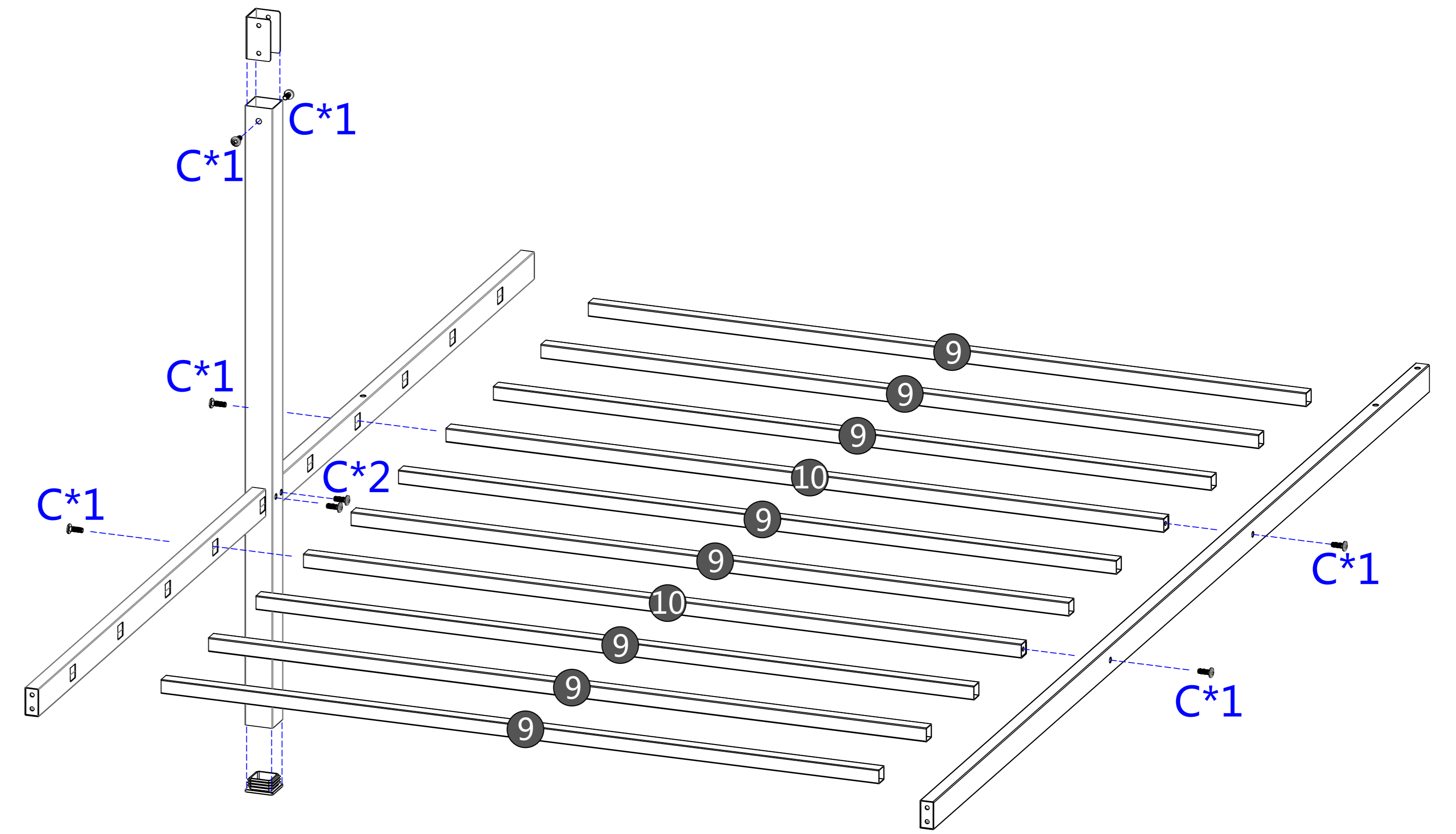
3-1pcs	4-1pcs	6-1pcs	13-1pcs	F 3pcs	A 6pcs	C 2pcs	18-1pcs

Step 2: Use hardware F, A, G to connect #1 and #6 together to get a component 2.



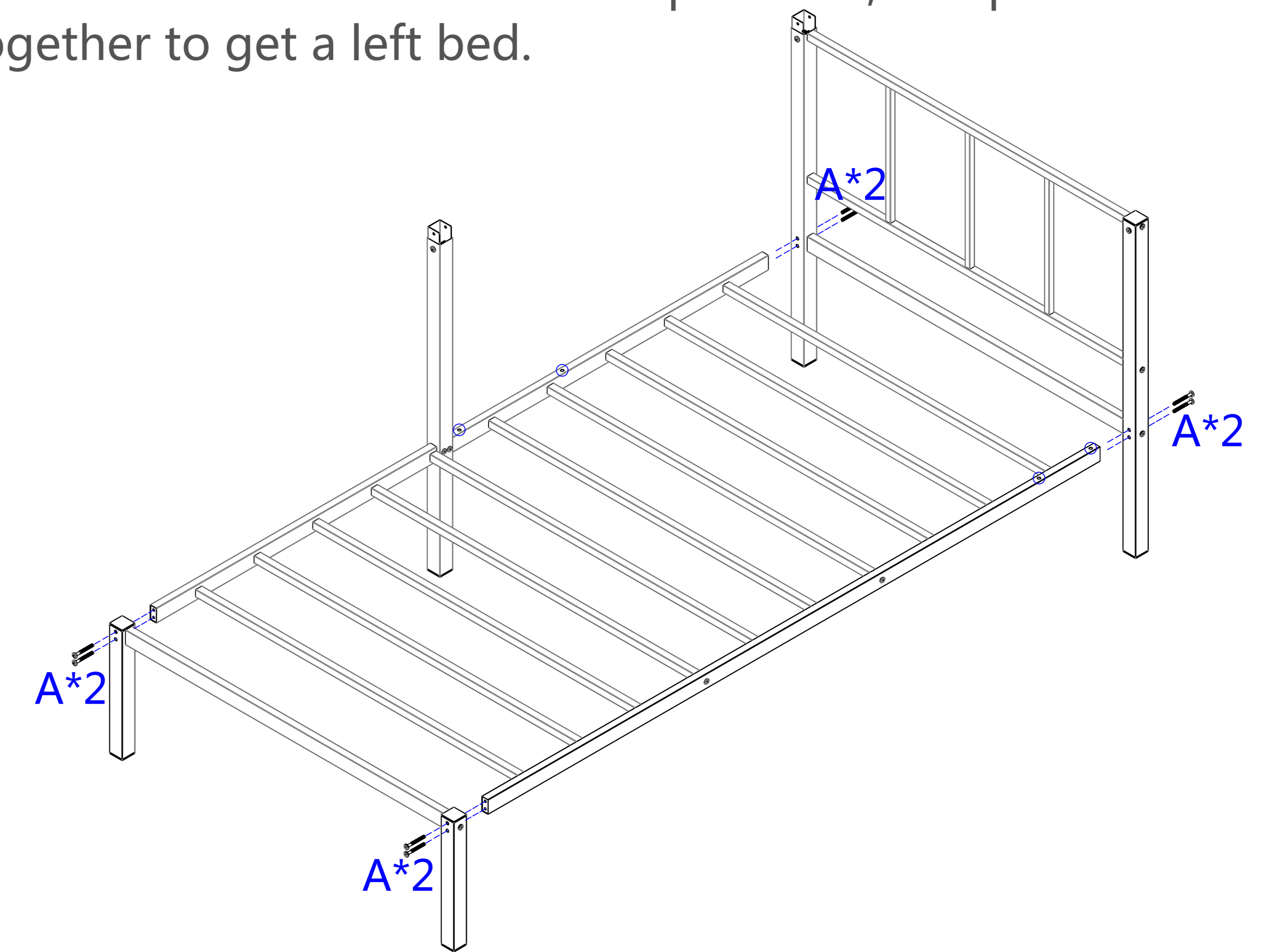
1-2pcs	6-1pcs	F 4pcs	A 2pcs	G

Step 3: Use hardware F, C, G to connect #2, #7, #8, #9, #10, #18 together to get a component 3.



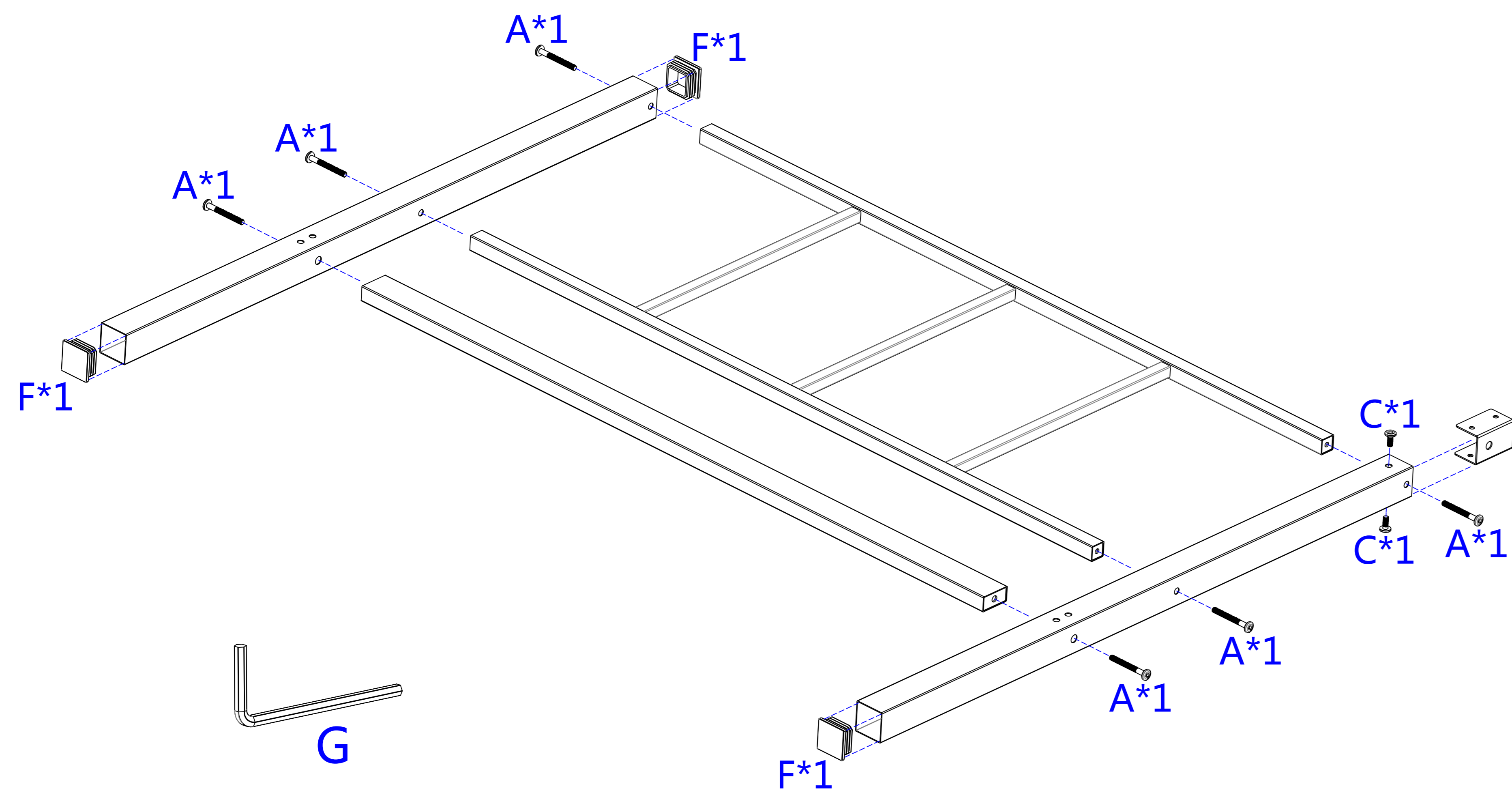
2-1pcs	7-1pcs	8-1pcs	9-8pcs	10-2pcs	F 1pc	18-1pcs	C 8pcs	G

Step 4: Use hardware A and G to connect component 1, component 2 and component 3 together to get a left bed.



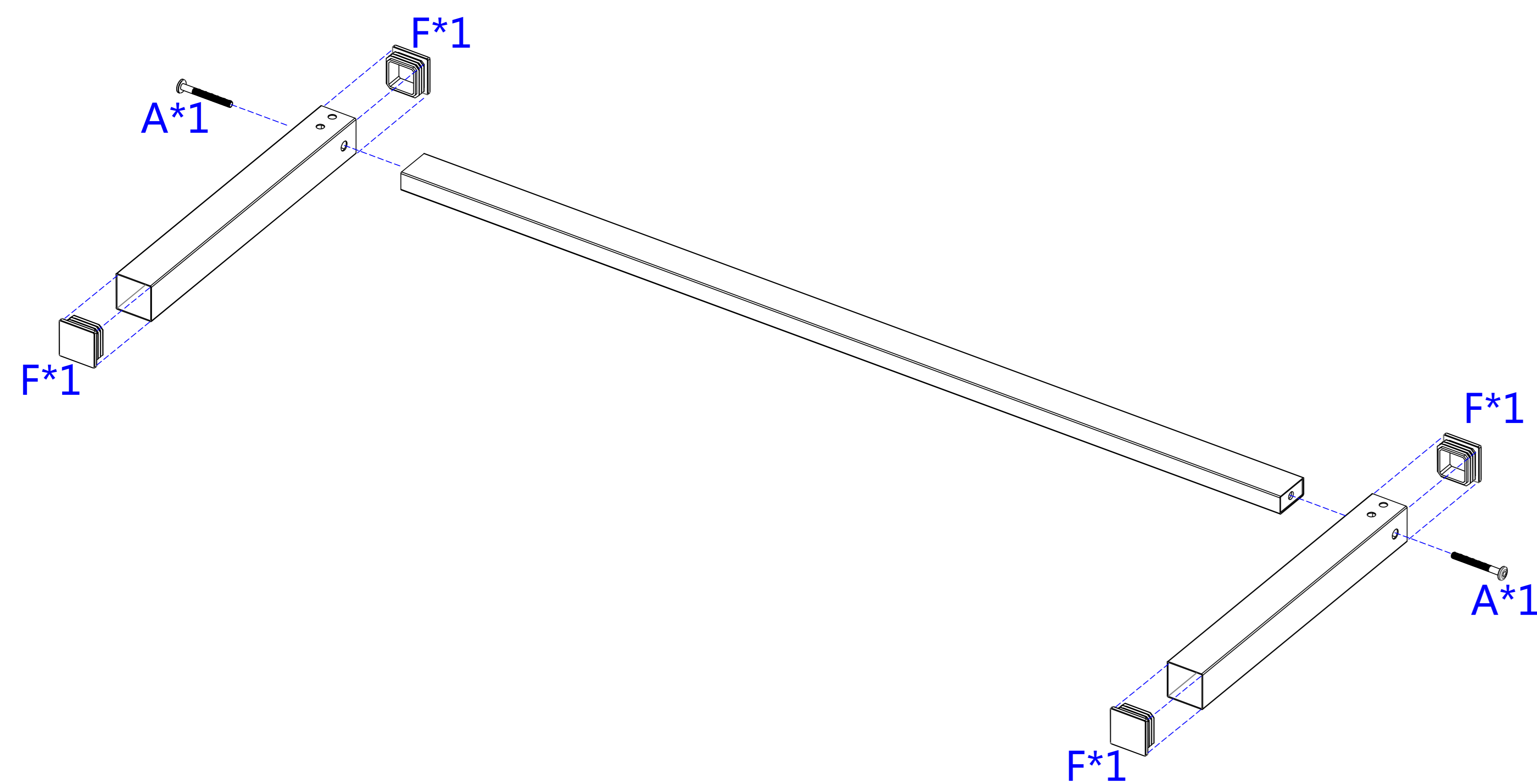
Component 1	Component 2	Component 3	A 8pcs	G

Step 5: Use hardware A, C, F, G to connect #3, #4, #6, #13, #18 together to get a component 4.



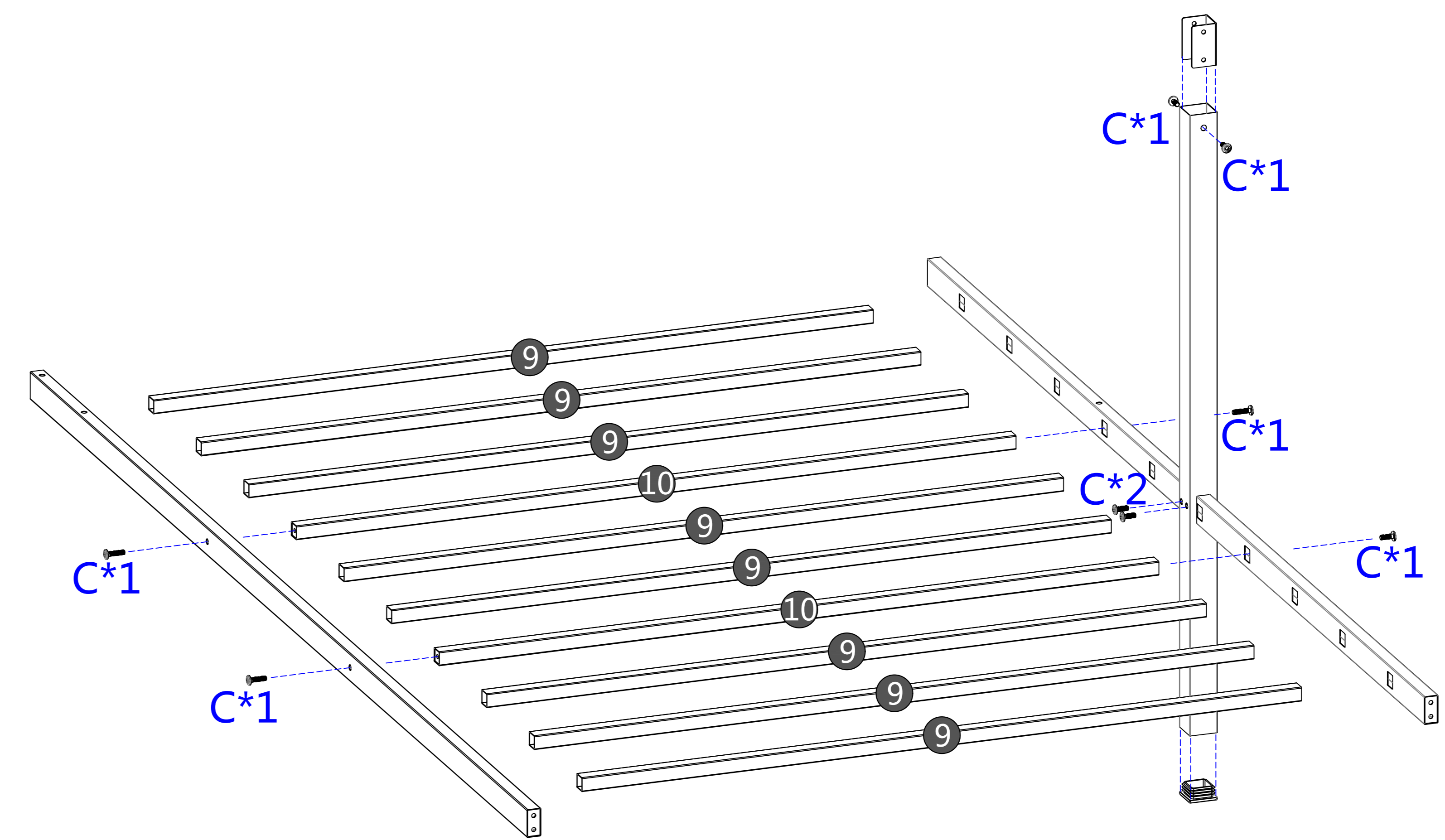
3-1pcs	4-1pcs	6-1pcs	13-1pcs	F 3pcs	A 6pcs	C 2pcs	18-1pcs

Step 6: Use hardware F, A, and G to connect #1 and #6 together to get a component 5.



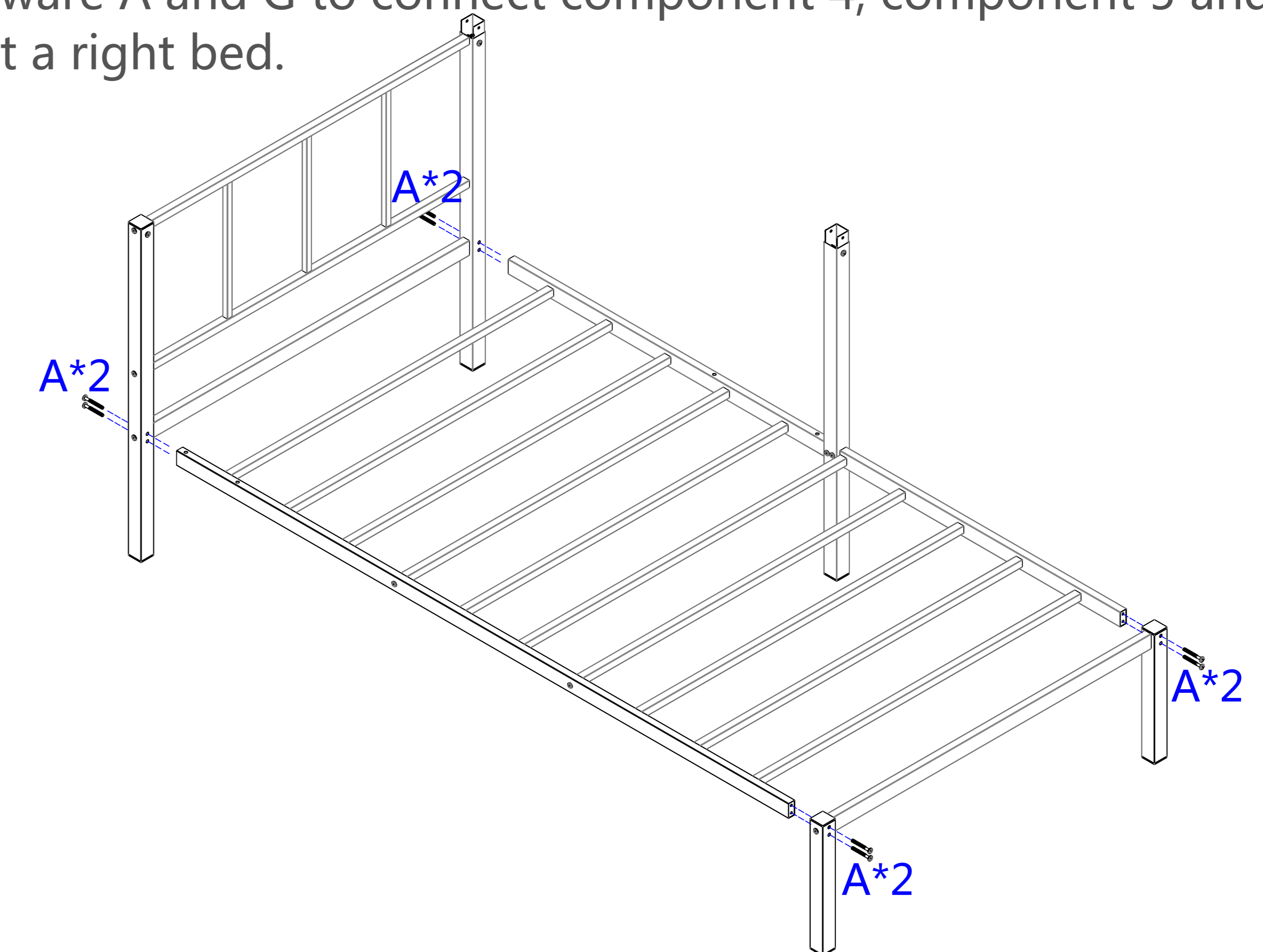
1-2pcs	6-1pcs	F 4pcs	A 2pcs	G

Step 7: Use hardware F, C, G to connect #2, #7, #8, #9, #10, #18 together to get a component 6.



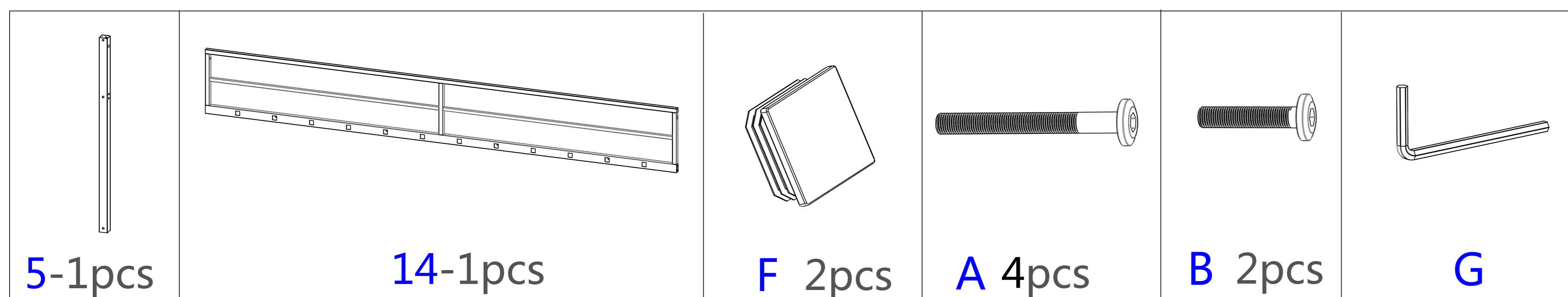
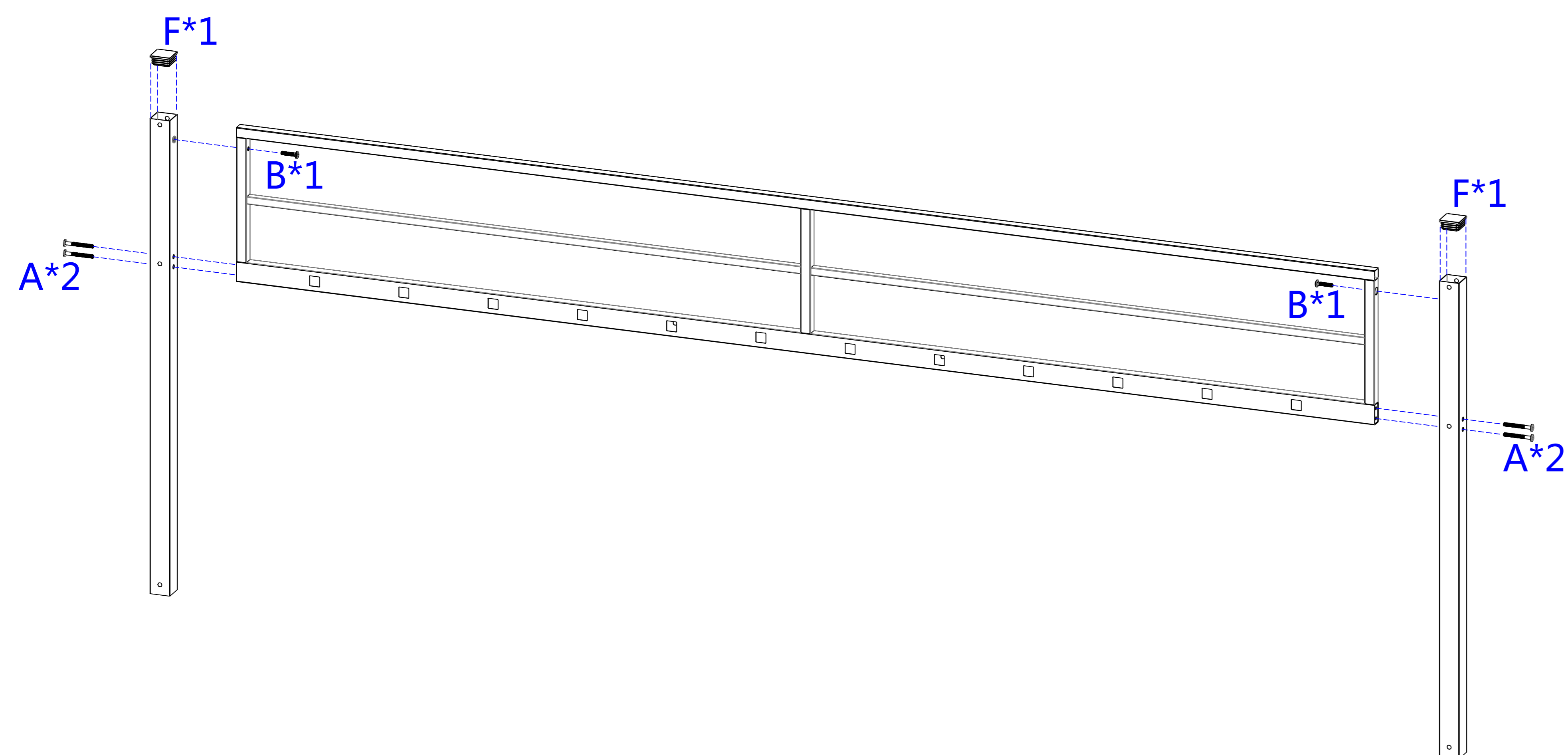
2-1pcs	7-1pcs	8-1pcs	9-8pcs	10-2pcs	F 1pcs	18-1pcs	C 8pcs	G

Step 8: Use hardware A and G to connect component 4, component 5 and component 6 together to get a right bed.

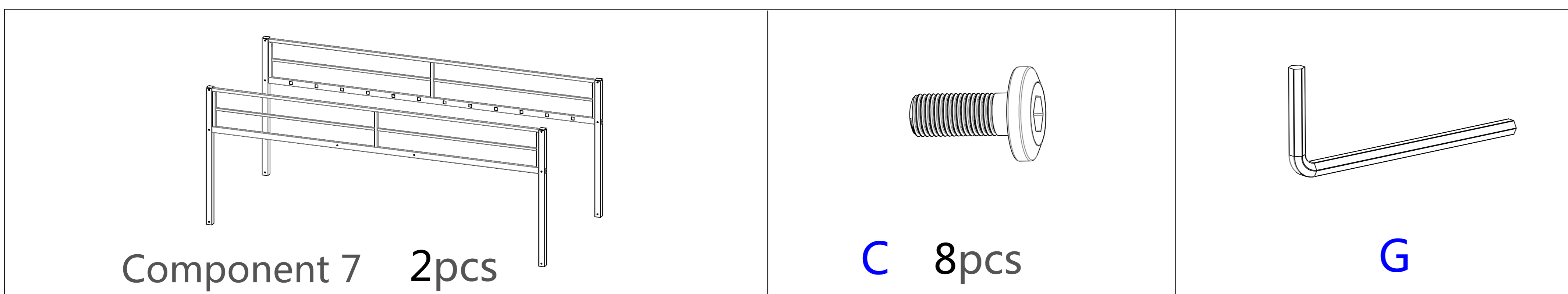
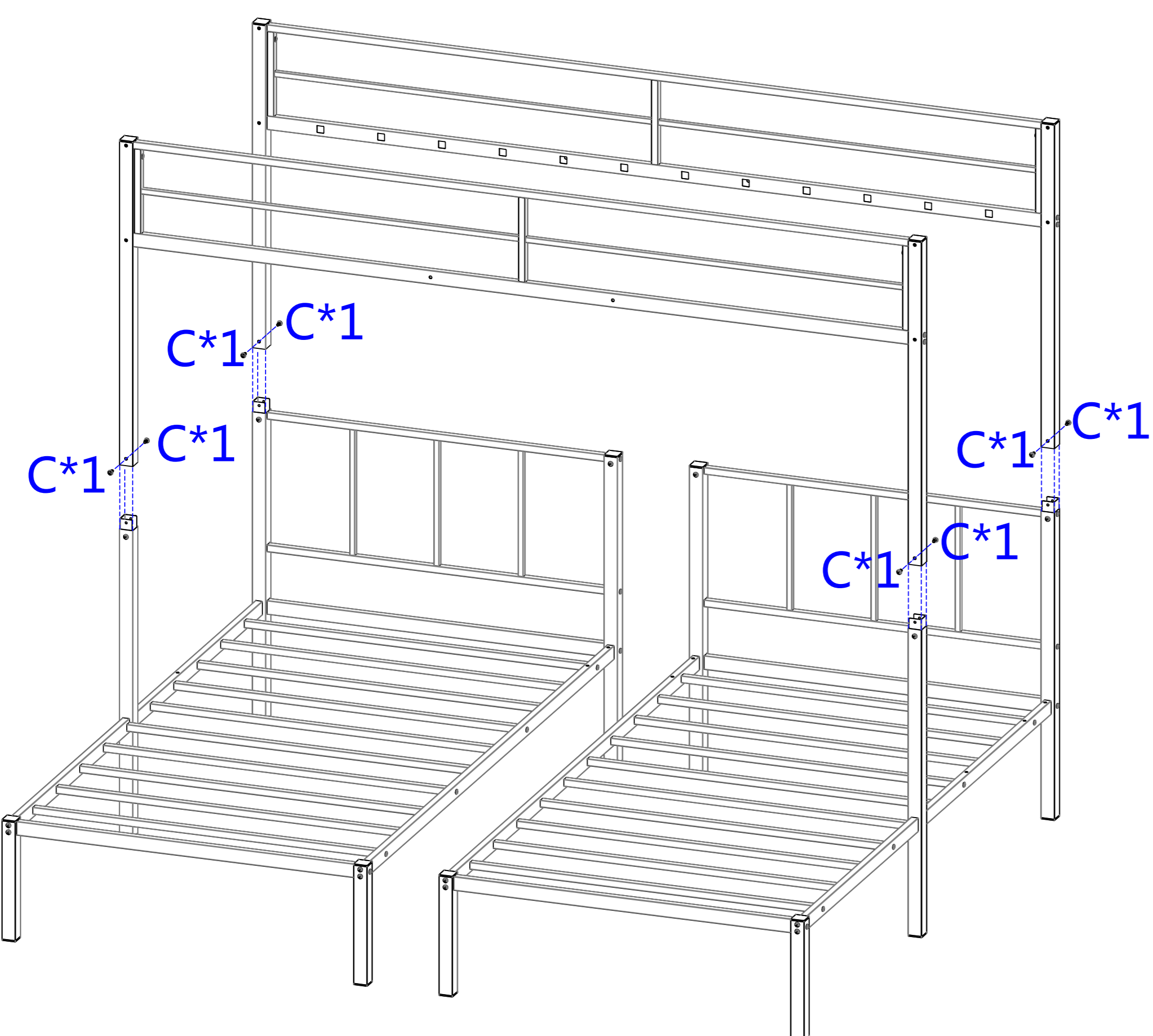


Component 4	Component 5	Component 6	A 8pcs	G

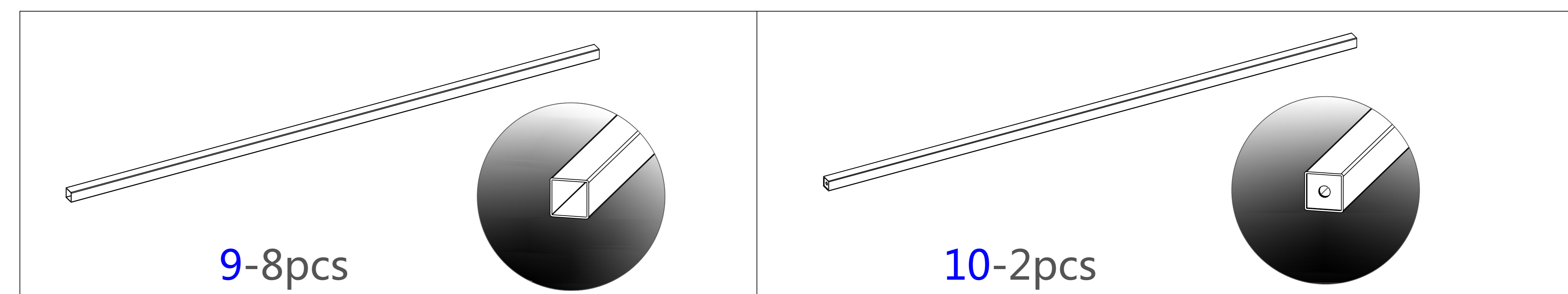
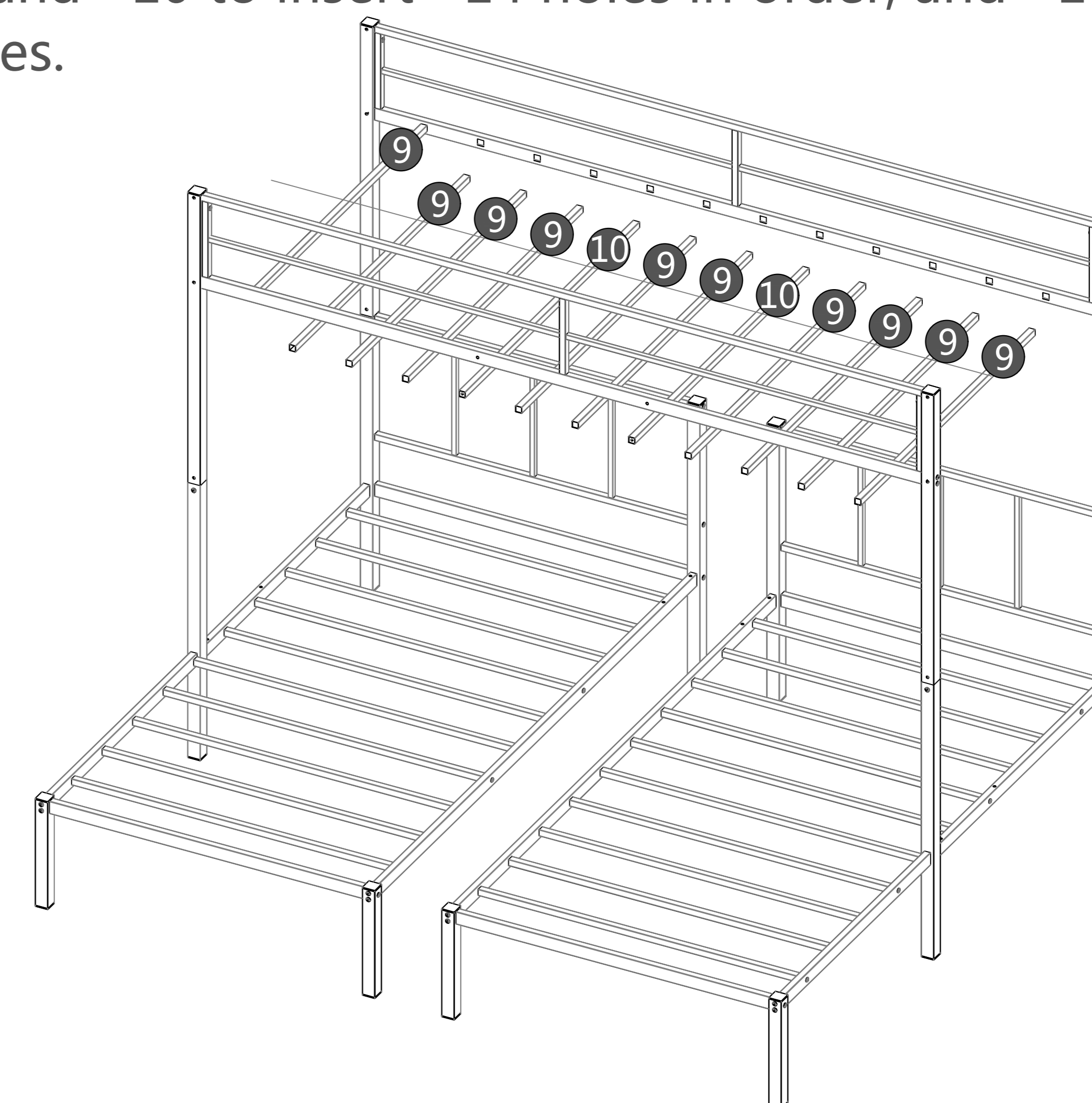
Step 9: Use hardware F, A, B, G, connect #5 and #14 together, reassemble 2 to get two identical components 7.



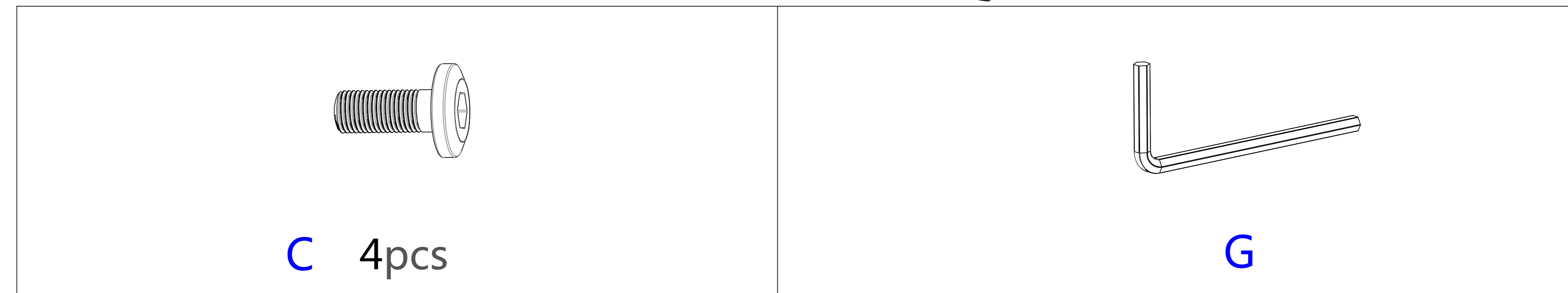
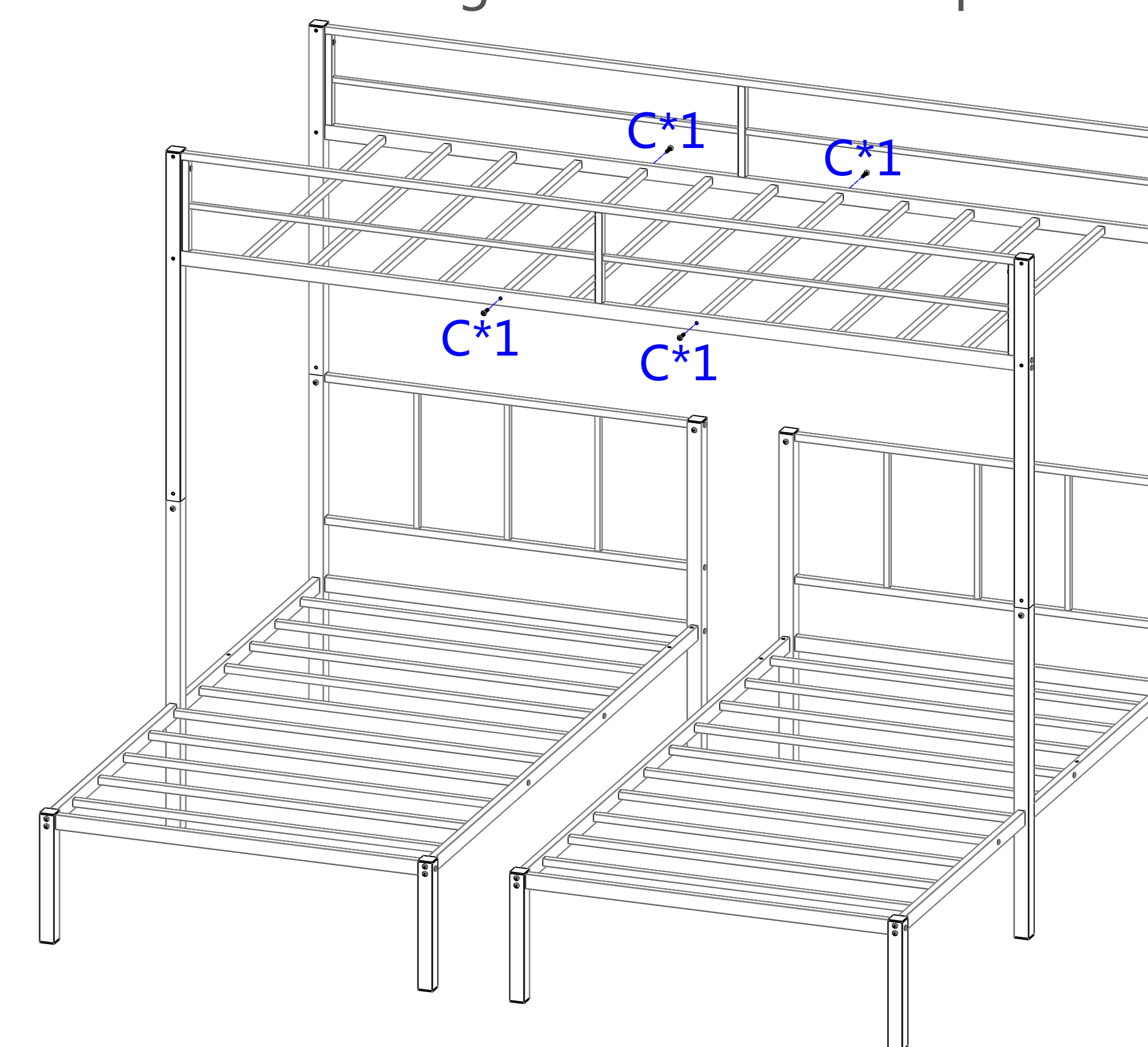
Step 10: Use hardware C, G, connect the two components 7 to the left bed and the right bed.



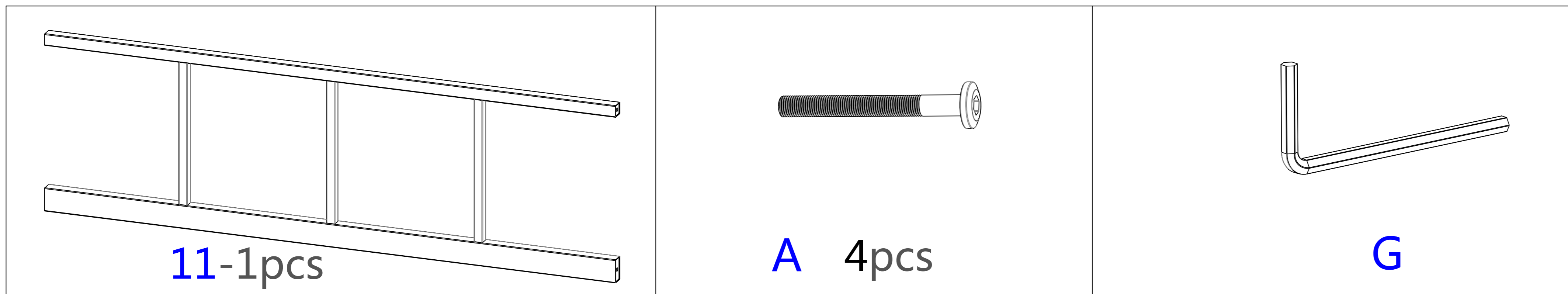
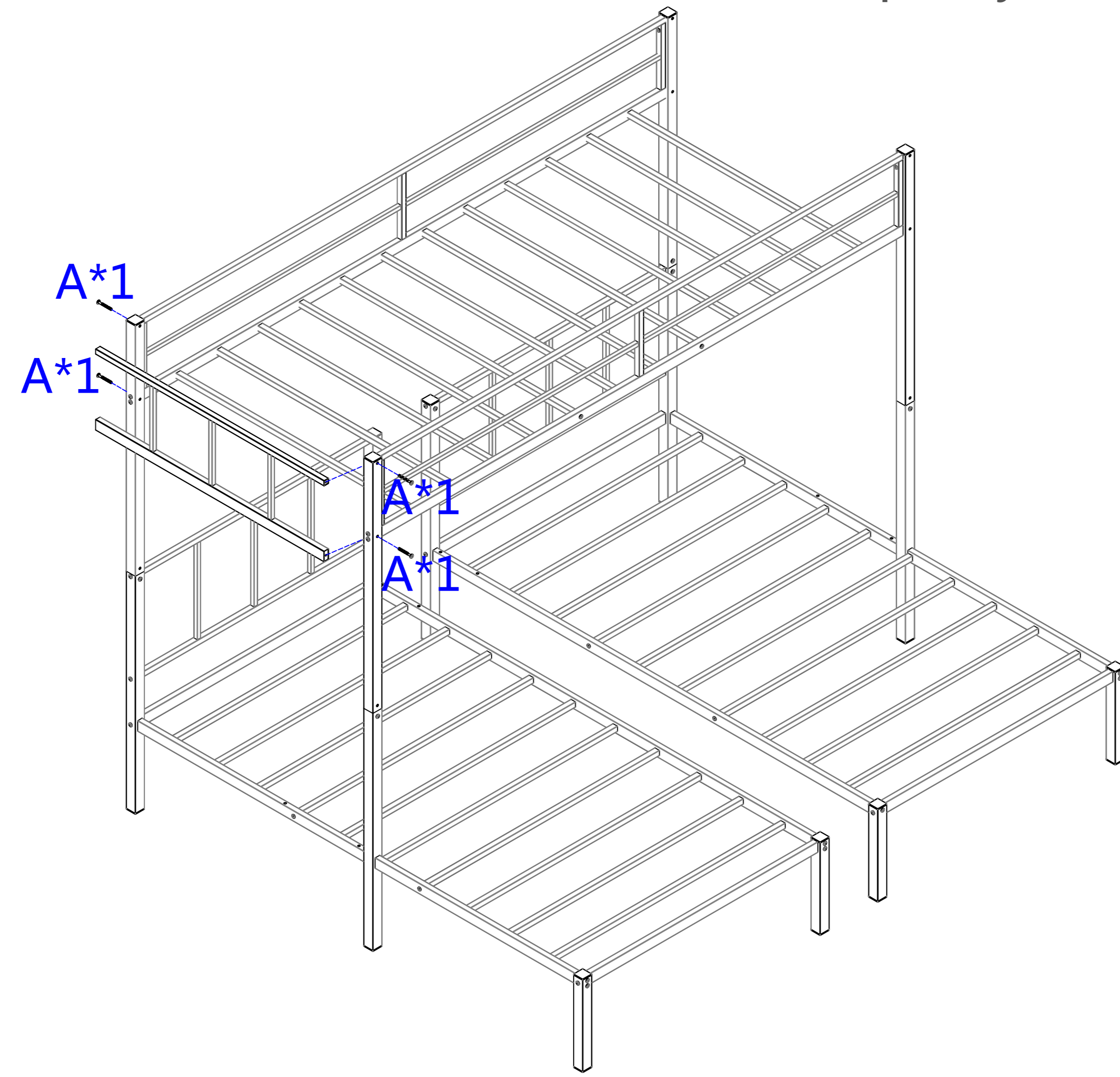
Step 11: Use #9 and #10 to insert #14 holes in order, and #10 needs to correspond to #14 screw holes.



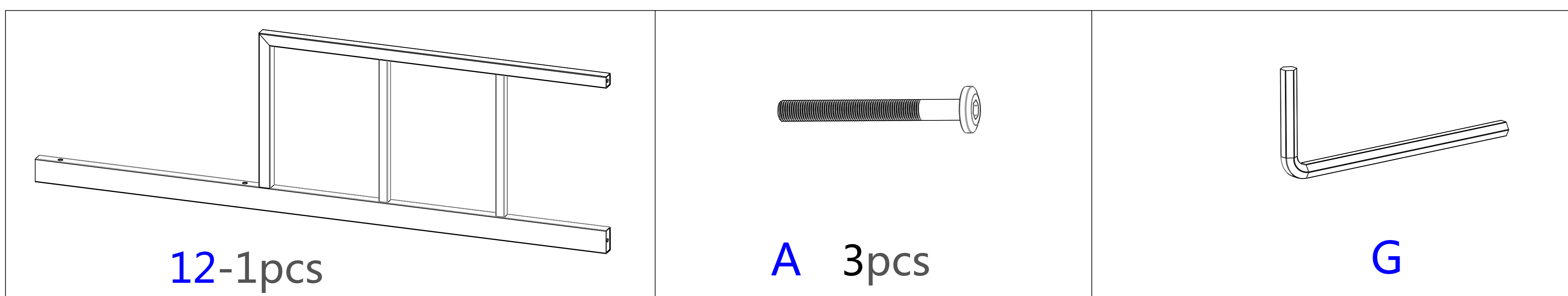
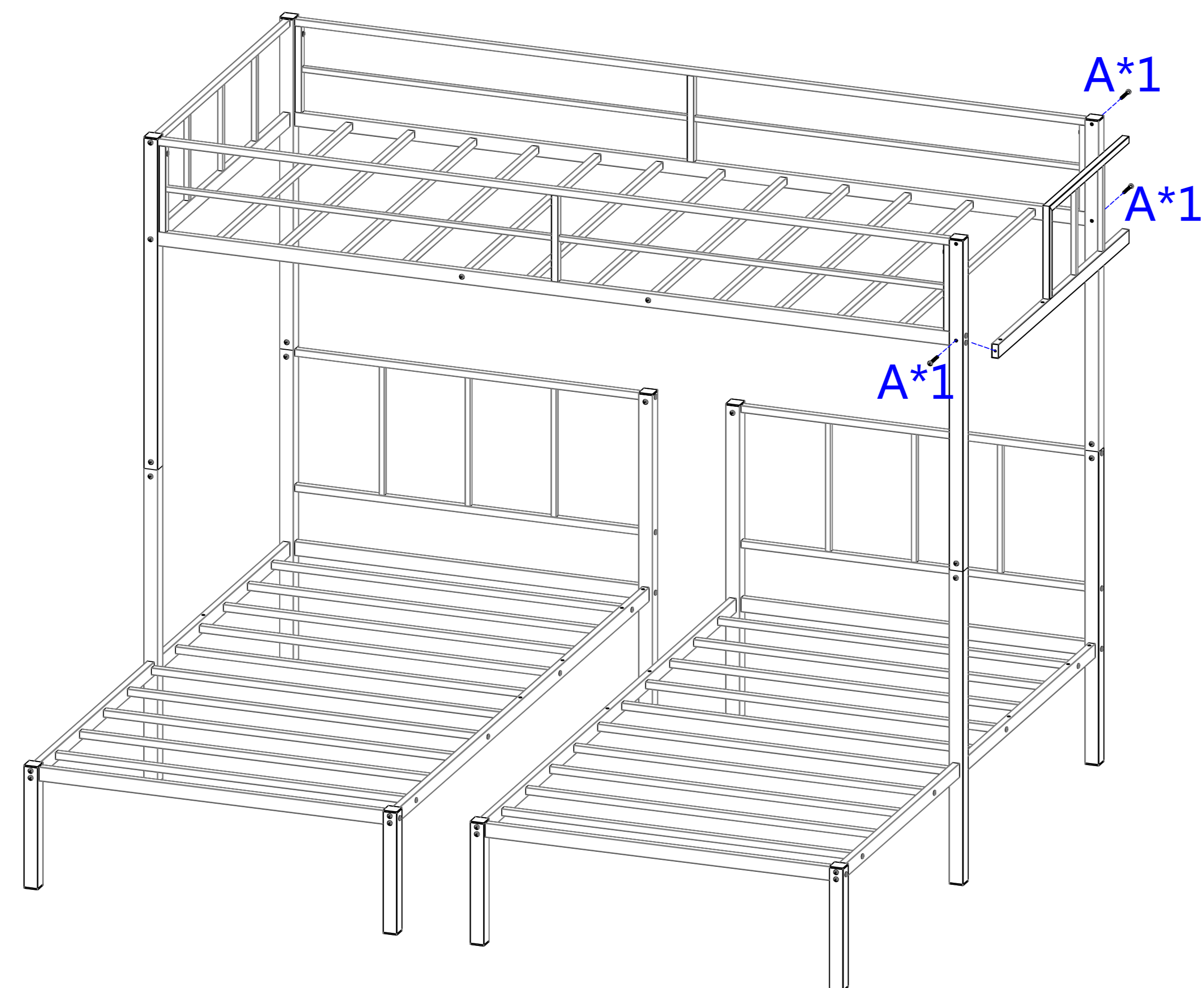
Step 12: Use hardware C and G to tighten #10 with component 7.



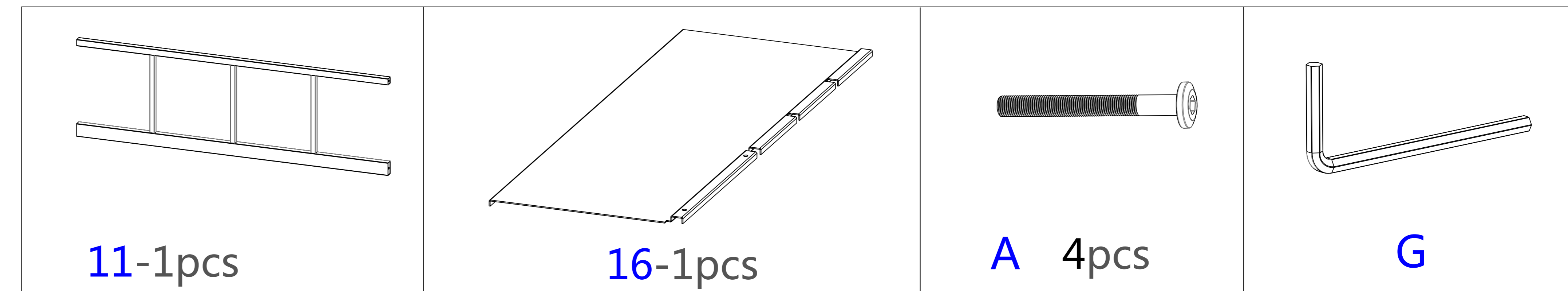
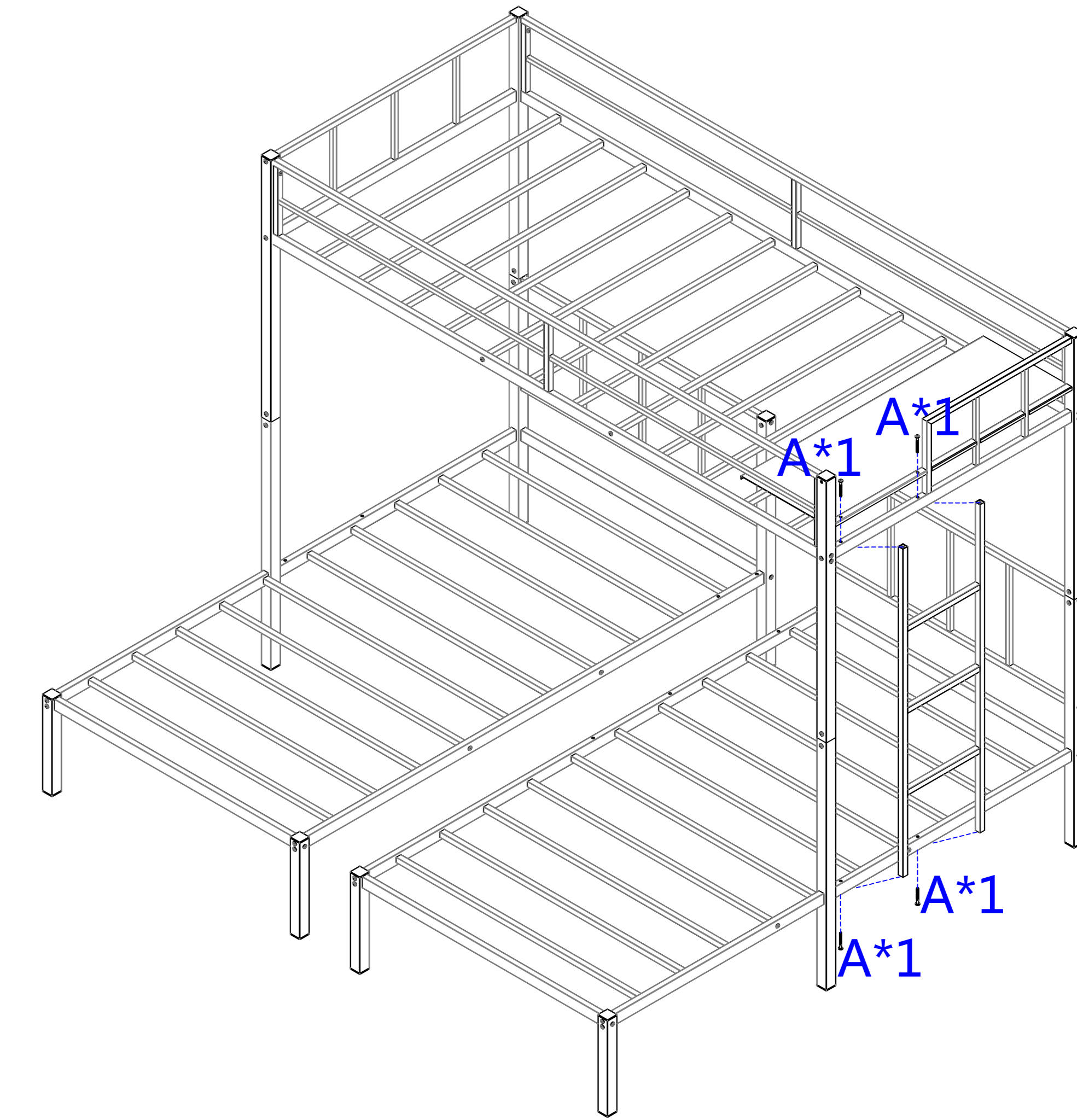
Step 13: Use hardware A and G to continue to install #11 to specify the location of the drawing.



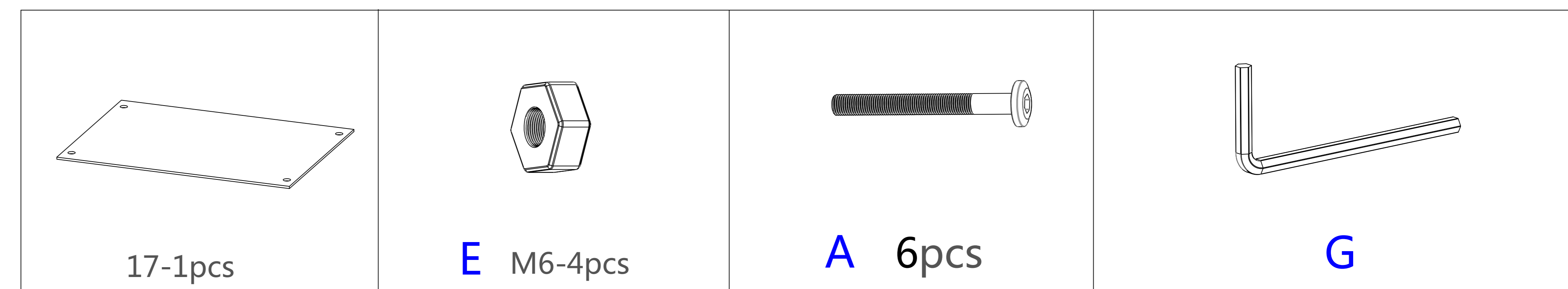
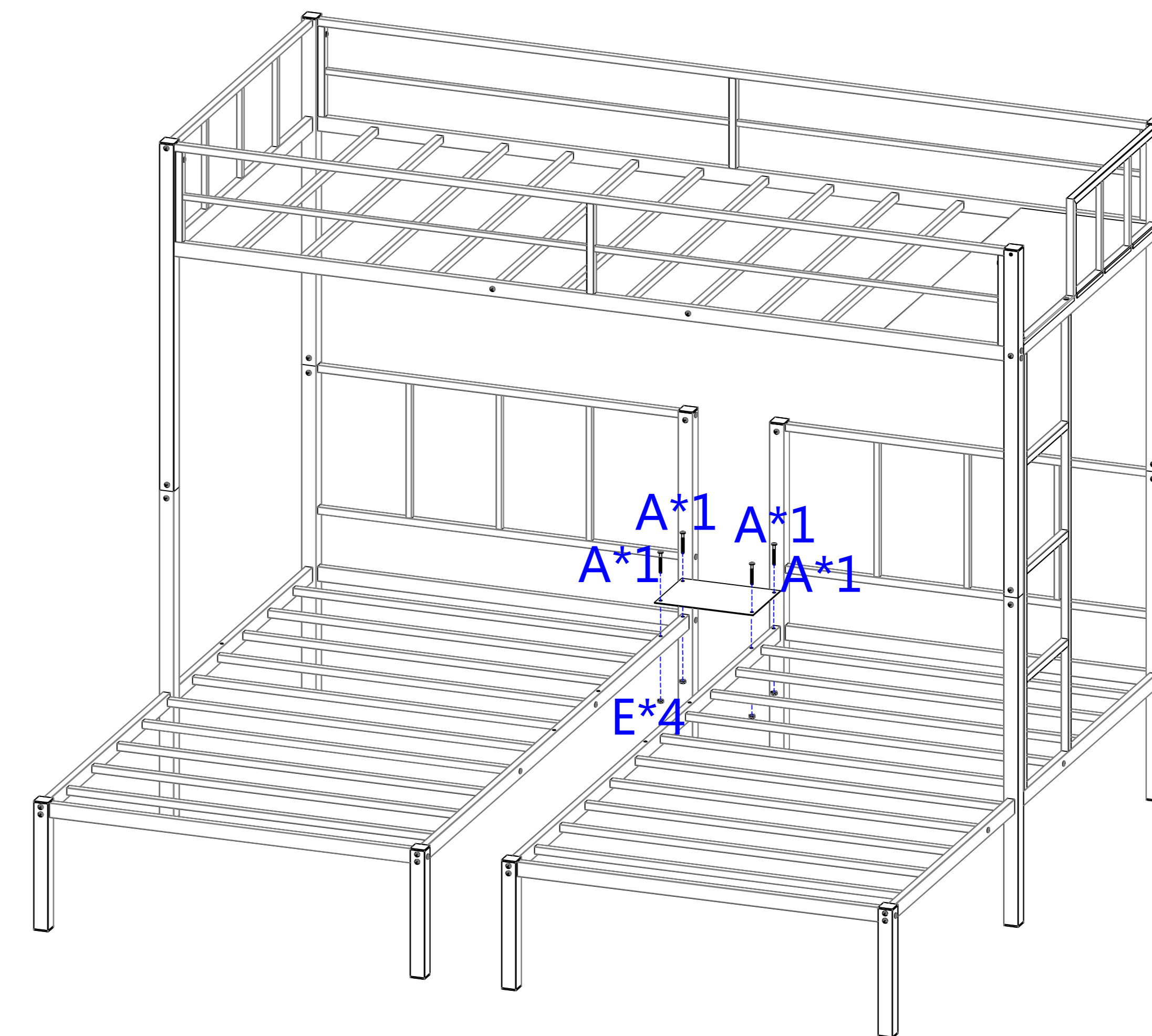
Step 14: Use hardware A and G to continue to install #12 at the specified location of the drawing.

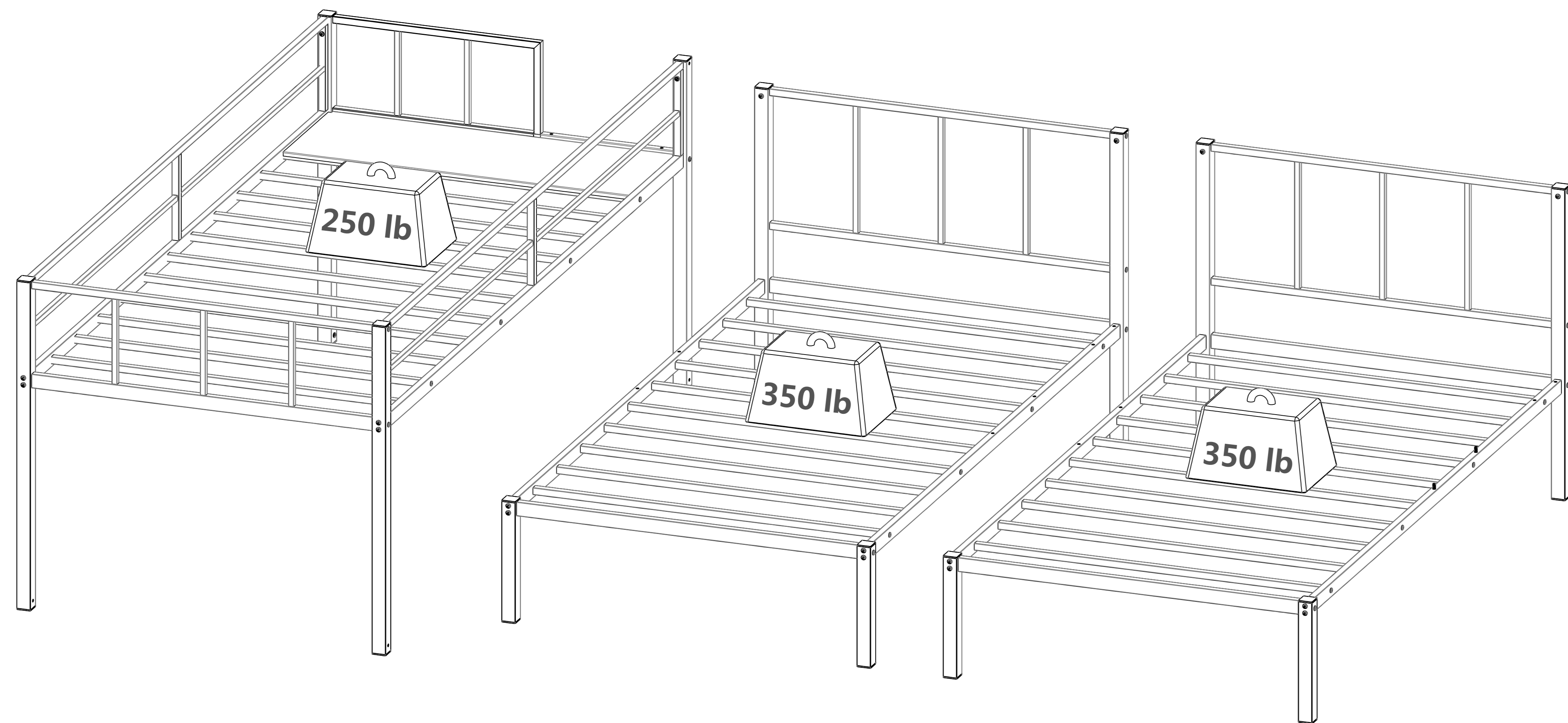


Step 15: Use hardware A and G to connect #11 and #16 to the bed and tighten them.



Step 16: Use hardware E, A and G to connect #17 left and right from the bed and tighten it.





Completed attic bed



Note: Tighten all the steps before use, thank you.