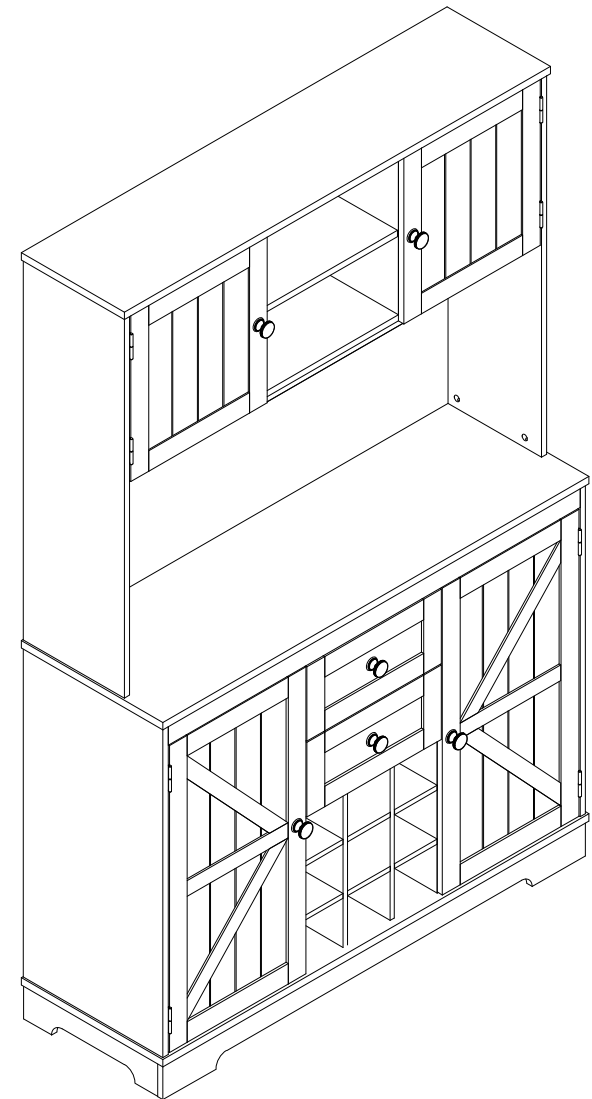
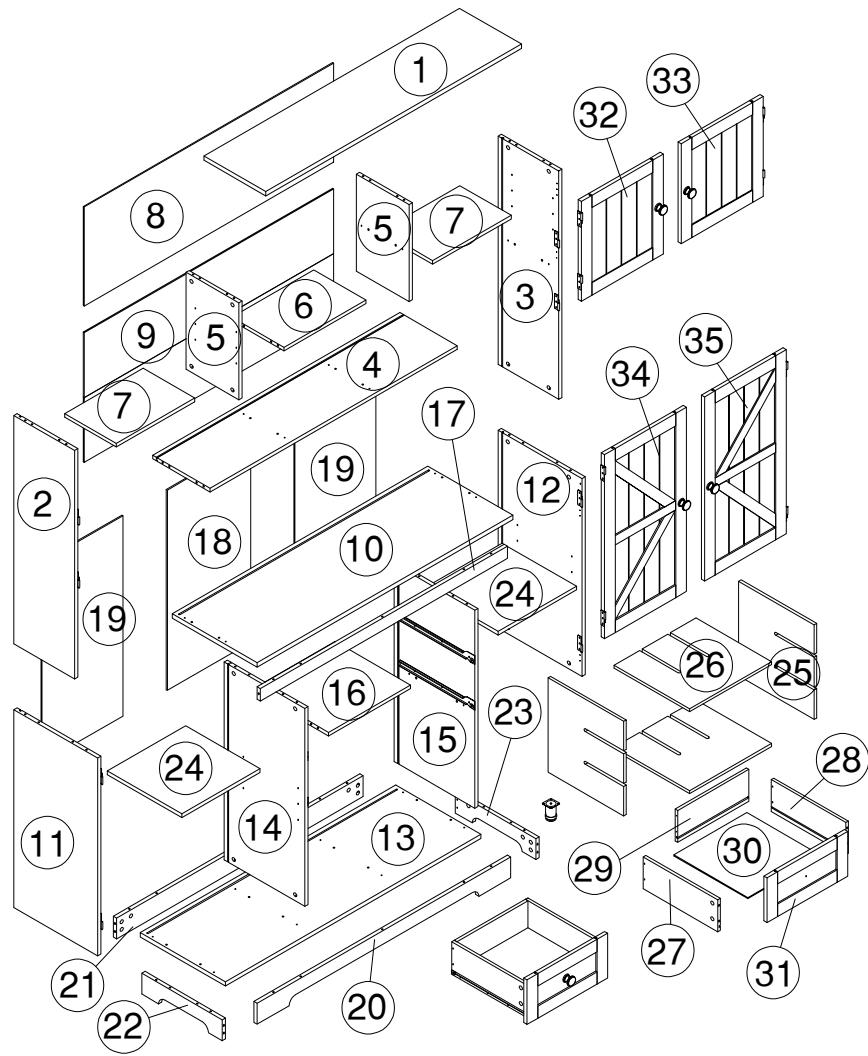
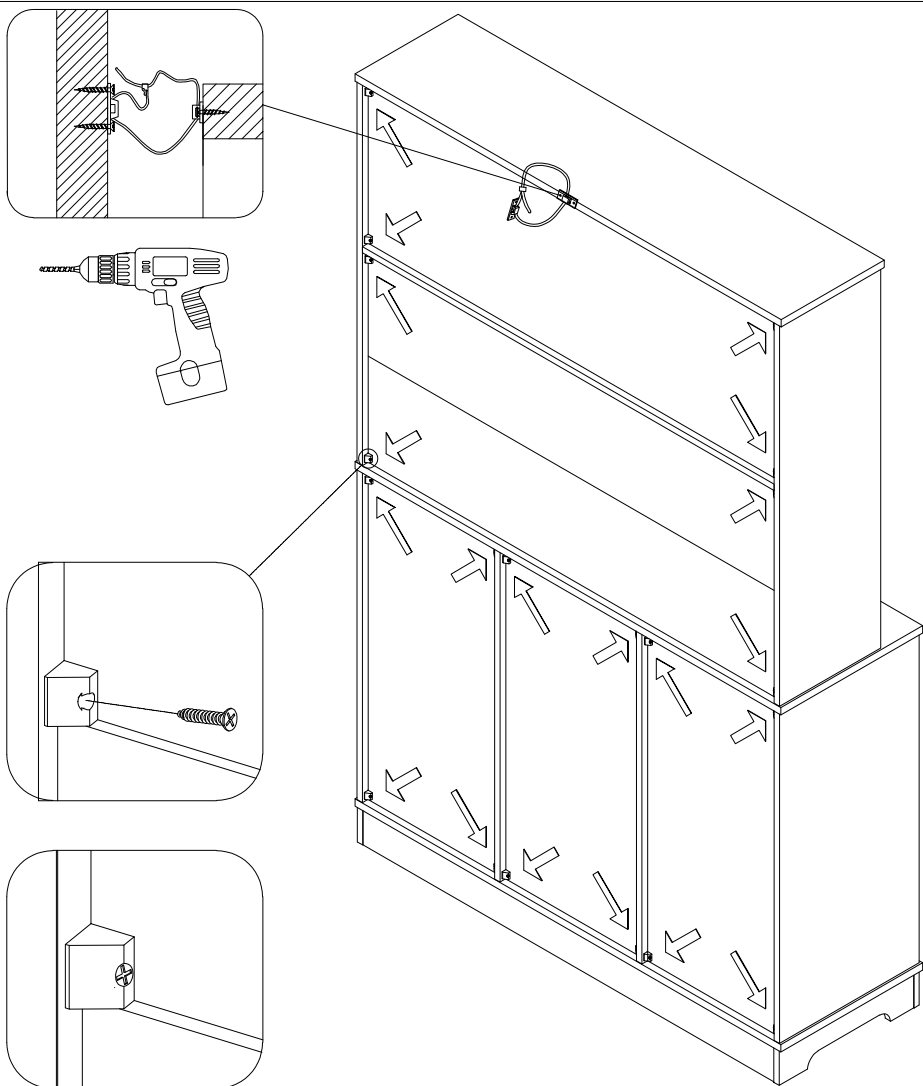


Assembly Instructions



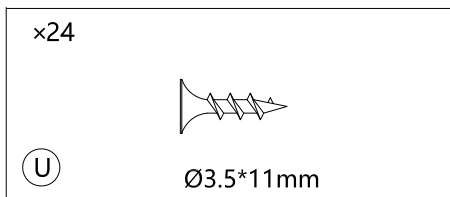
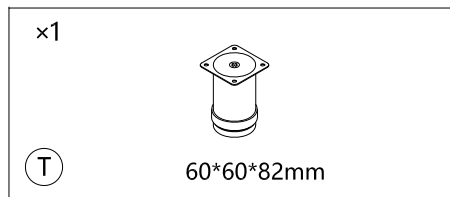
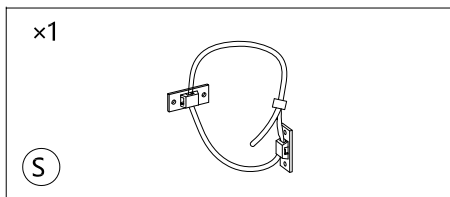
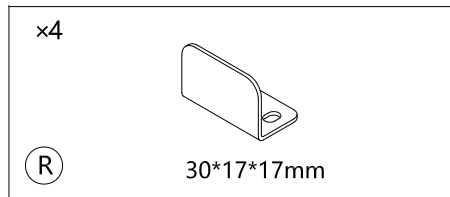
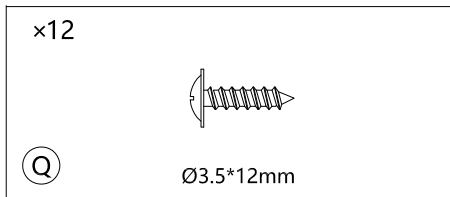
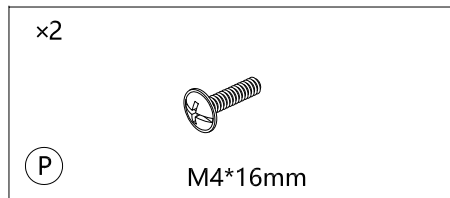
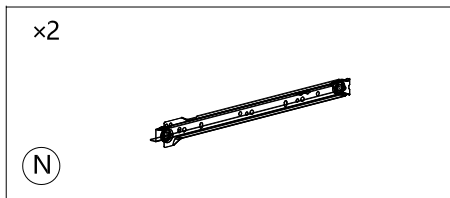


26

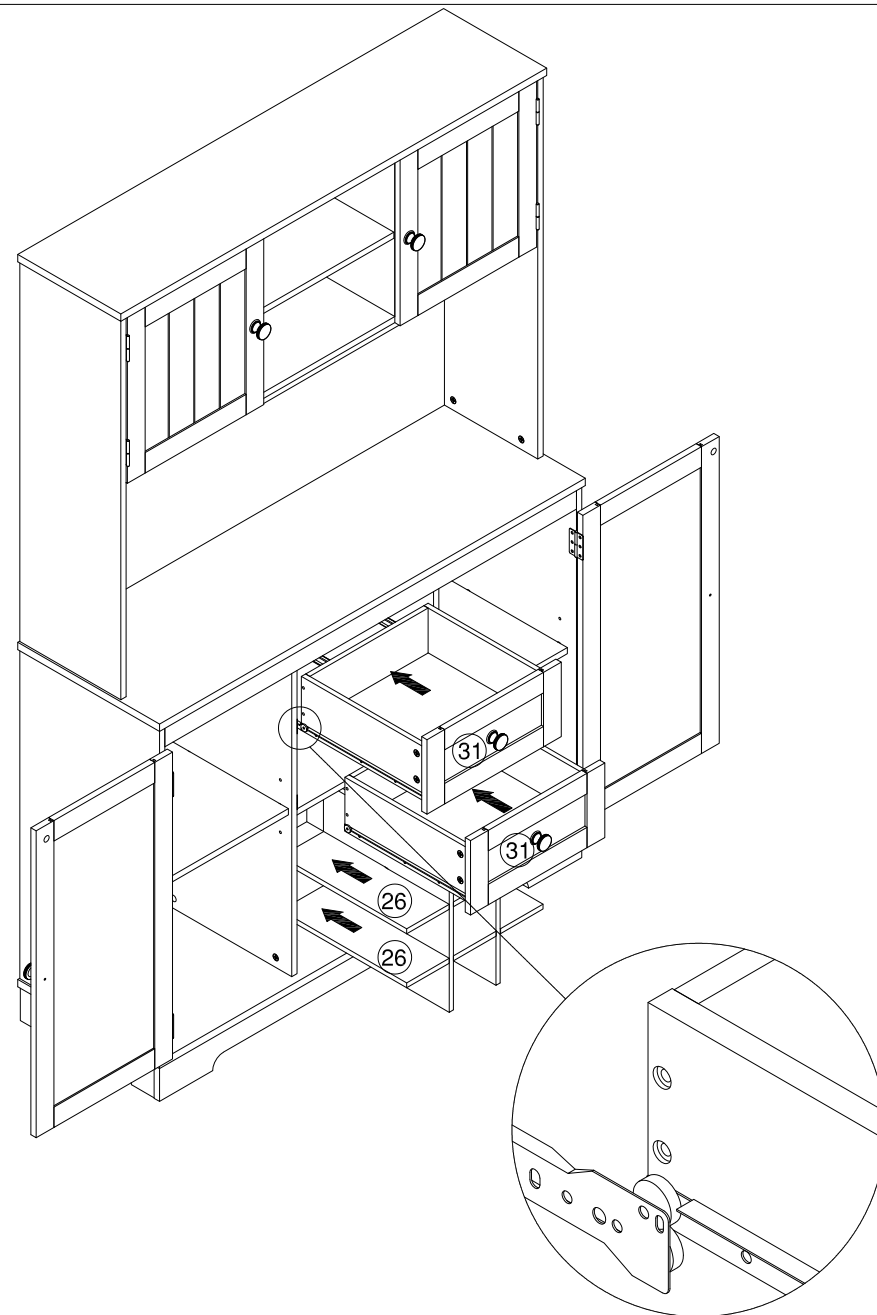


- F
[x20]
- S
[x1]
- E
[x20]

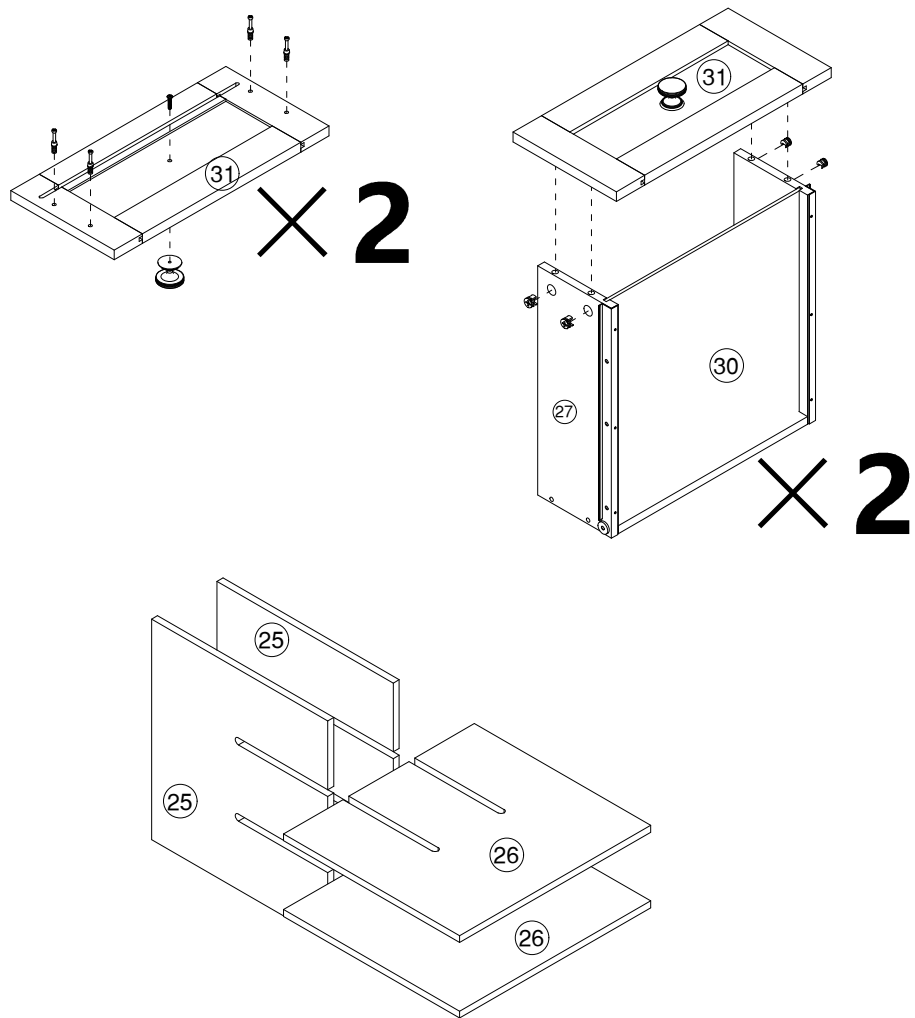
- | | |
|--|---|
| <p>x71</p> <div style="text-align: center;"> </div> <p>A 34mm</p> | <p>x63</p> <div style="text-align: center;"> </div> <p>B Ø15*12mm</p> |
| <p>x58</p> <div style="text-align: center;"> </div> <p>C Ø8*30mm</p> | <p>x8</p> <div style="text-align: center;"> </div> <p>D Ø15*10mm</p> |
| <p>x20</p> <div style="text-align: center;"> </div> <p>E Ø3*18mm</p> | <p>x20</p> <div style="text-align: center;"> </div> <p>F</p> |
| <p>x6</p> <div style="text-align: center;"> </div> <p>G Ø28*20mm</p> | <p>x4</p> <div style="text-align: center;"> </div> <p>H M4*25mm</p> |
| <p>x2</p> <div style="text-align: center;"> </div> <p>J</p> | <p>x8</p> <div style="text-align: center;"> </div> <p>K Ø4*15mm</p> |
| <p>x8</p> <div style="text-align: center;"> </div> <p>L Ø5*38mm</p> | <p>x16</p> <div style="text-align: center;"> </div> <p>M</p> |



25



24



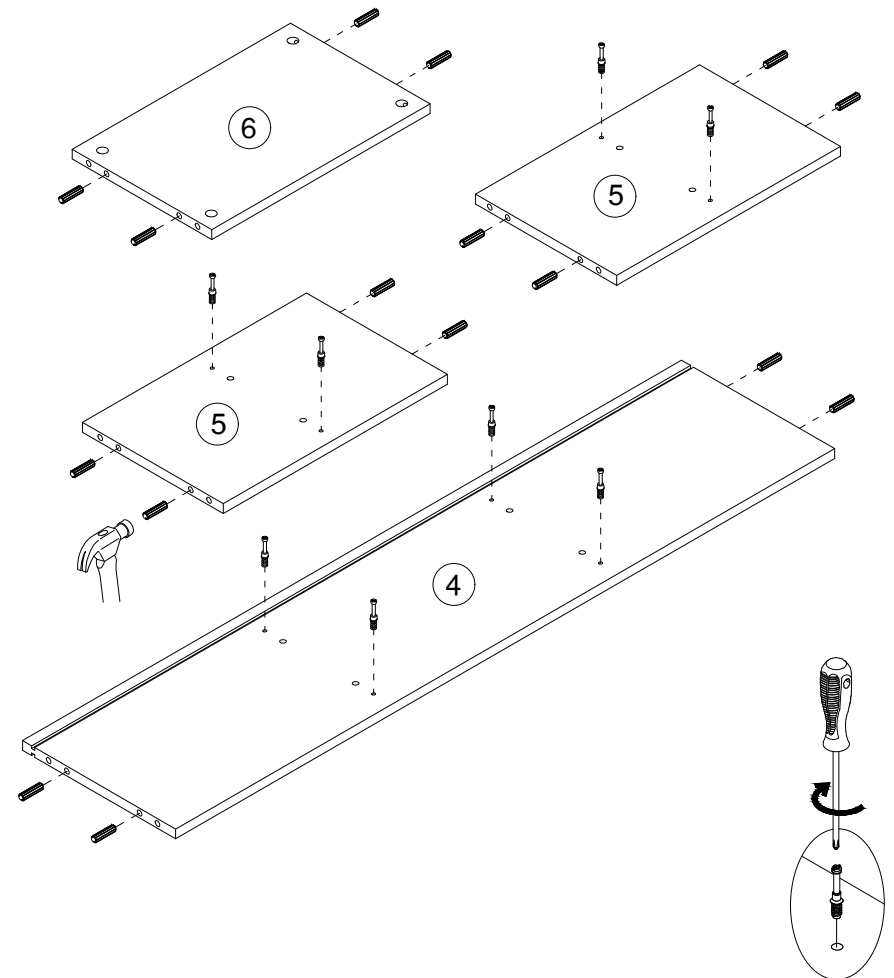
A [x8]

D [x8]

P [x2]

G [x2]

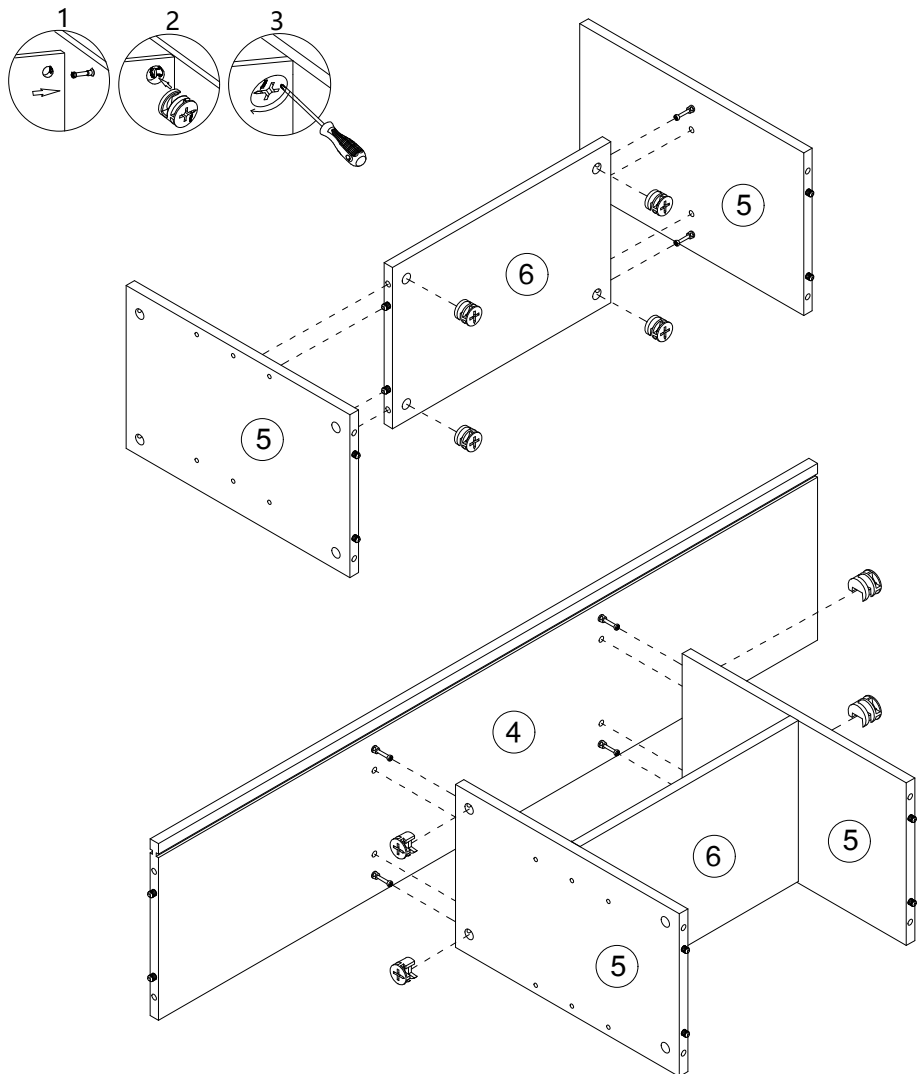
1



A [x8]

C [x16]

2

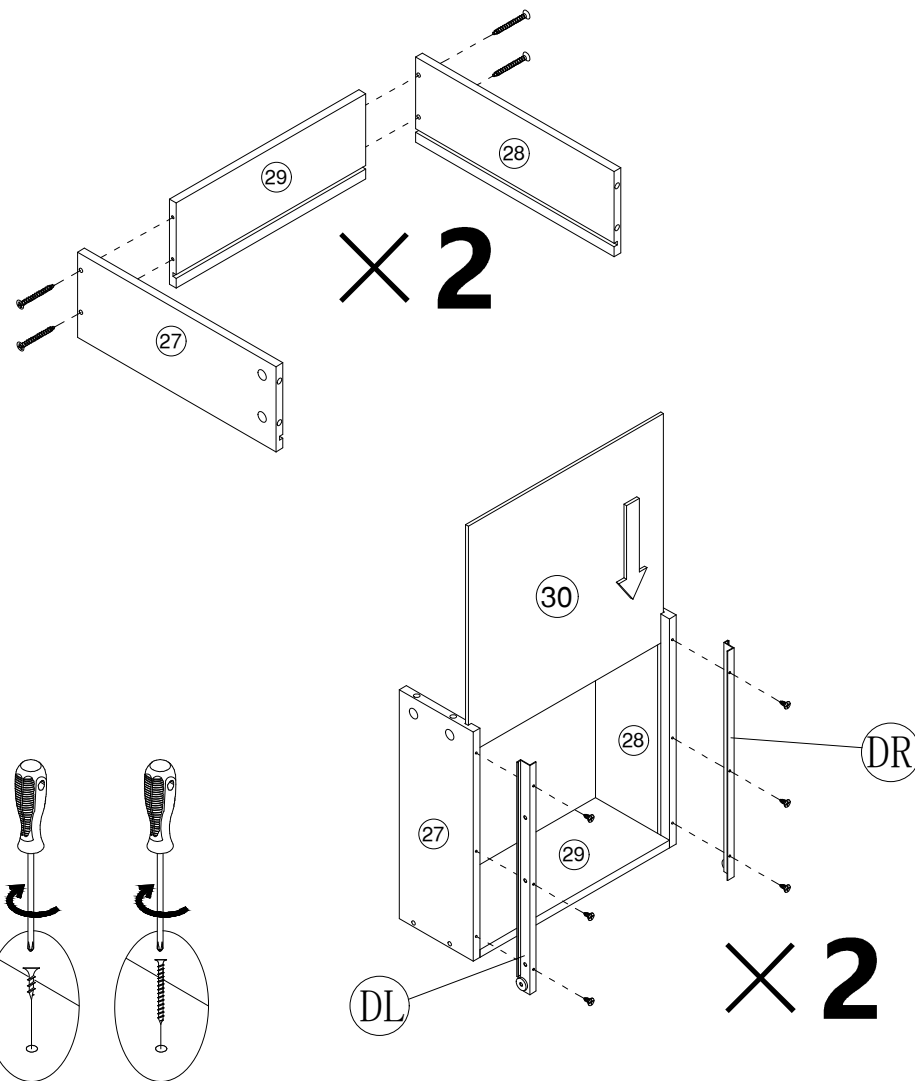


B

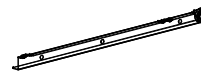


[x8]

23

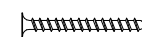


N



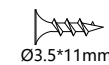
[x4]

L



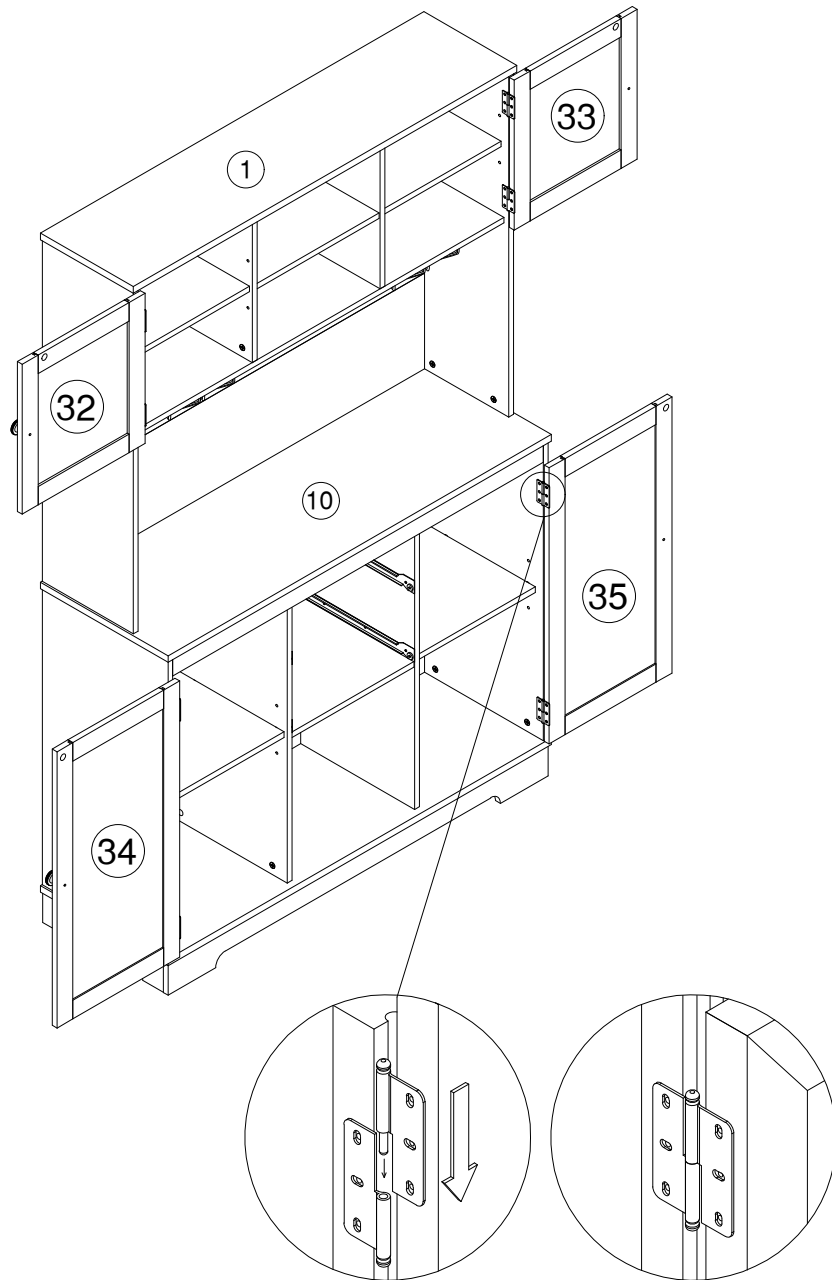
[x8]

U

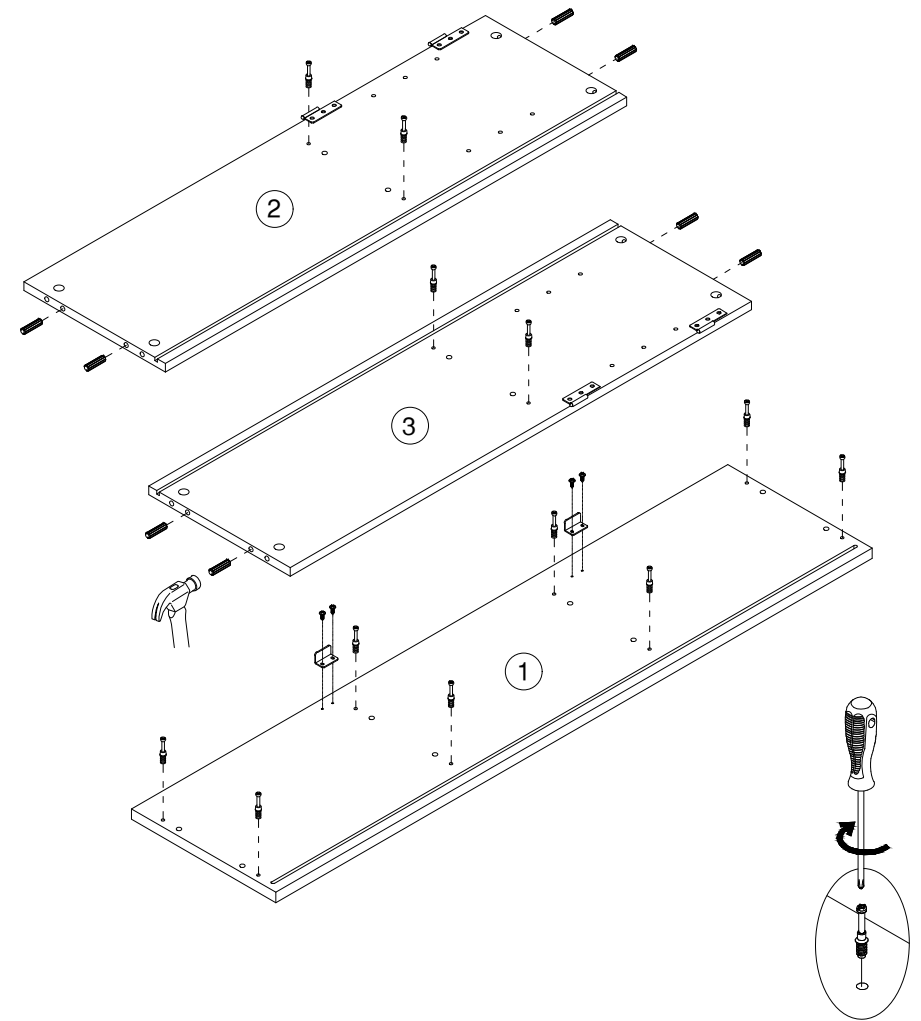


[x12]

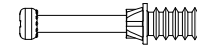
22



3



A



[x12]

C



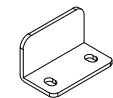
[x8]

Q



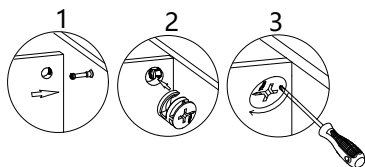
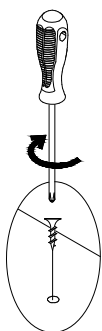
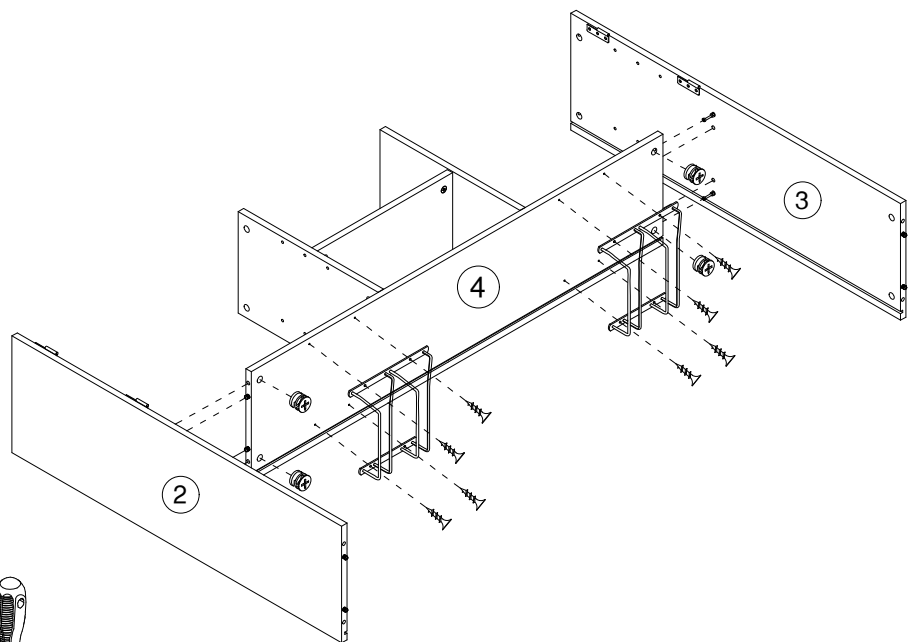
[x4]

R

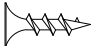


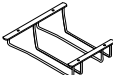
[x2]

4

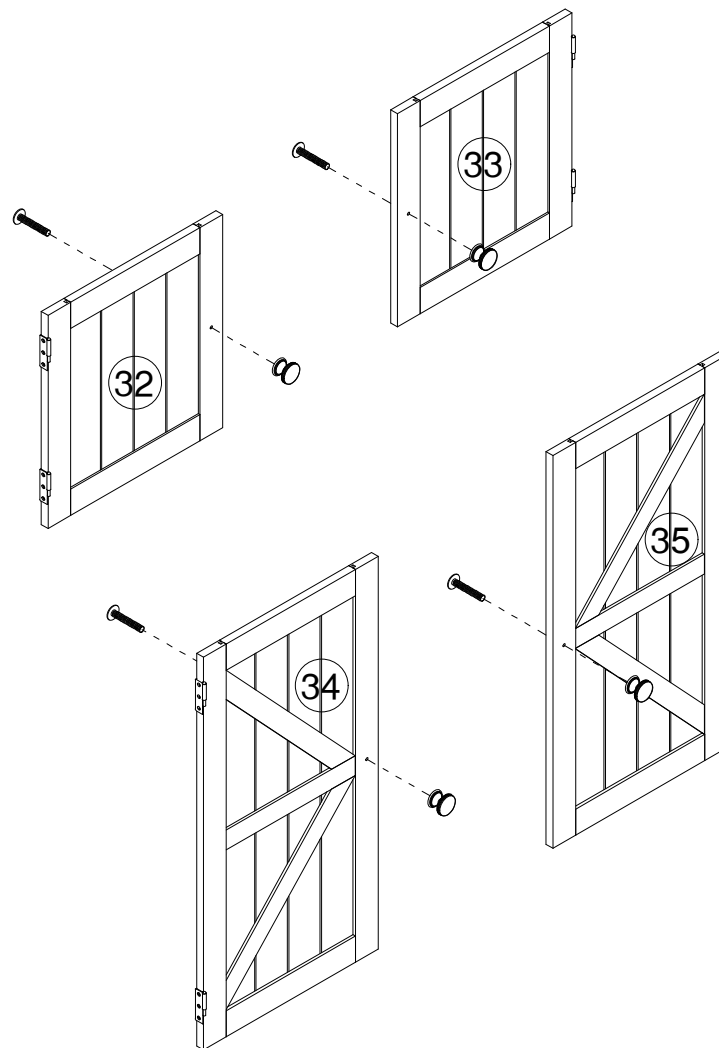


(B)  [×4]

(K)  [×8]

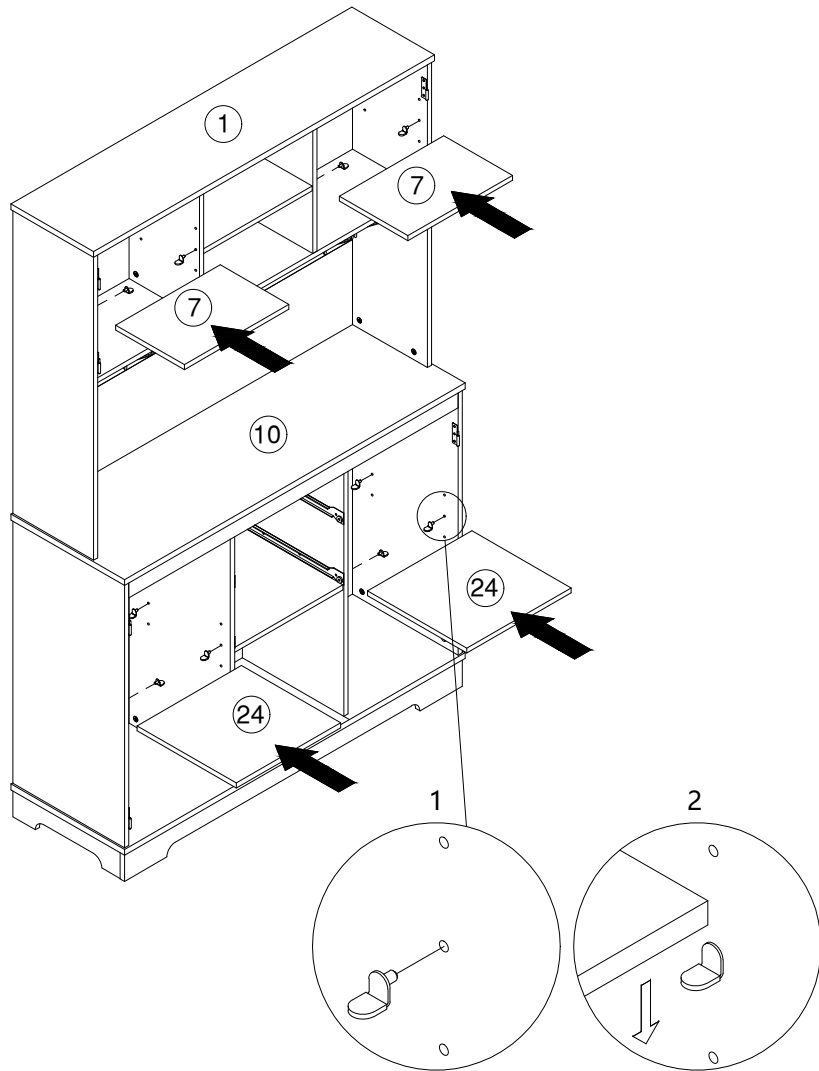
(J)  [×2]

21

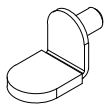


(G)  [×4] (H)  [×4]

20

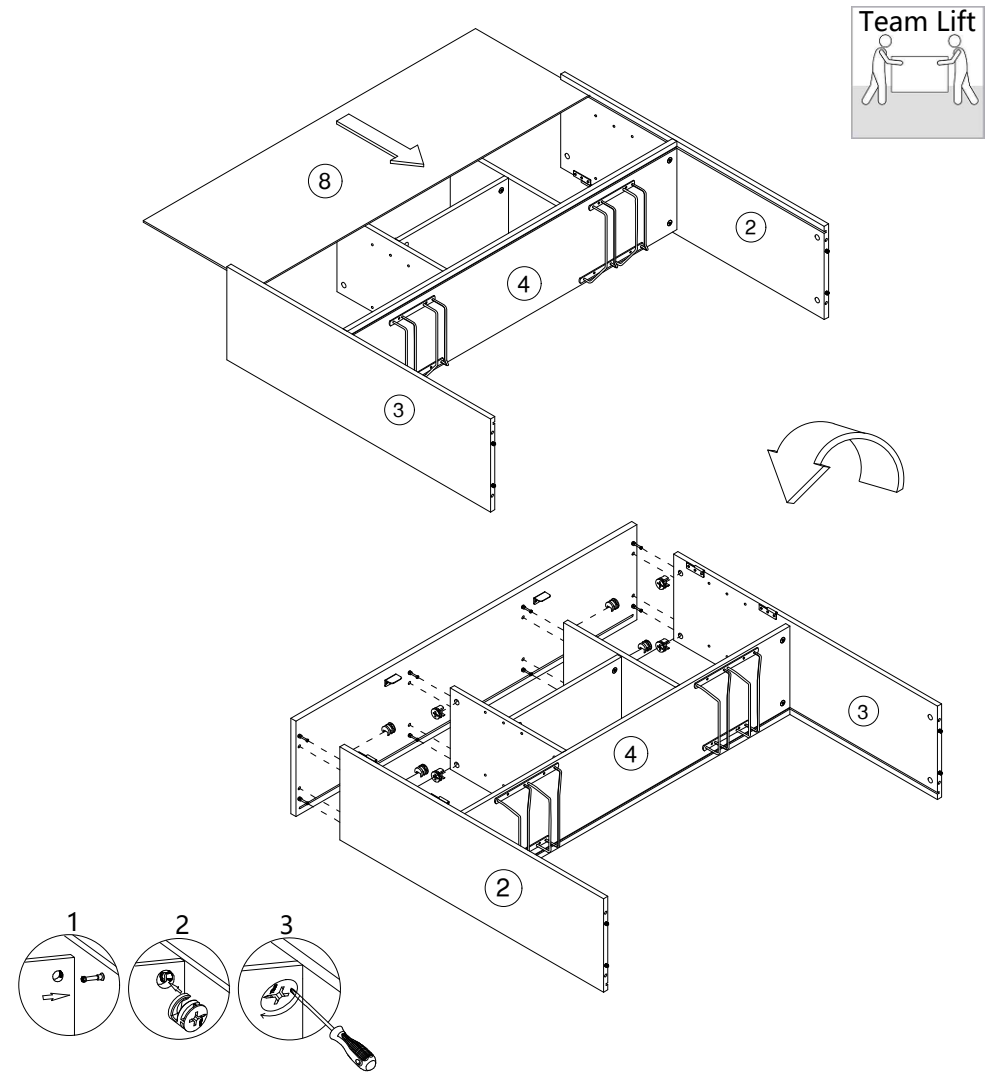


(M)



[x16]

5

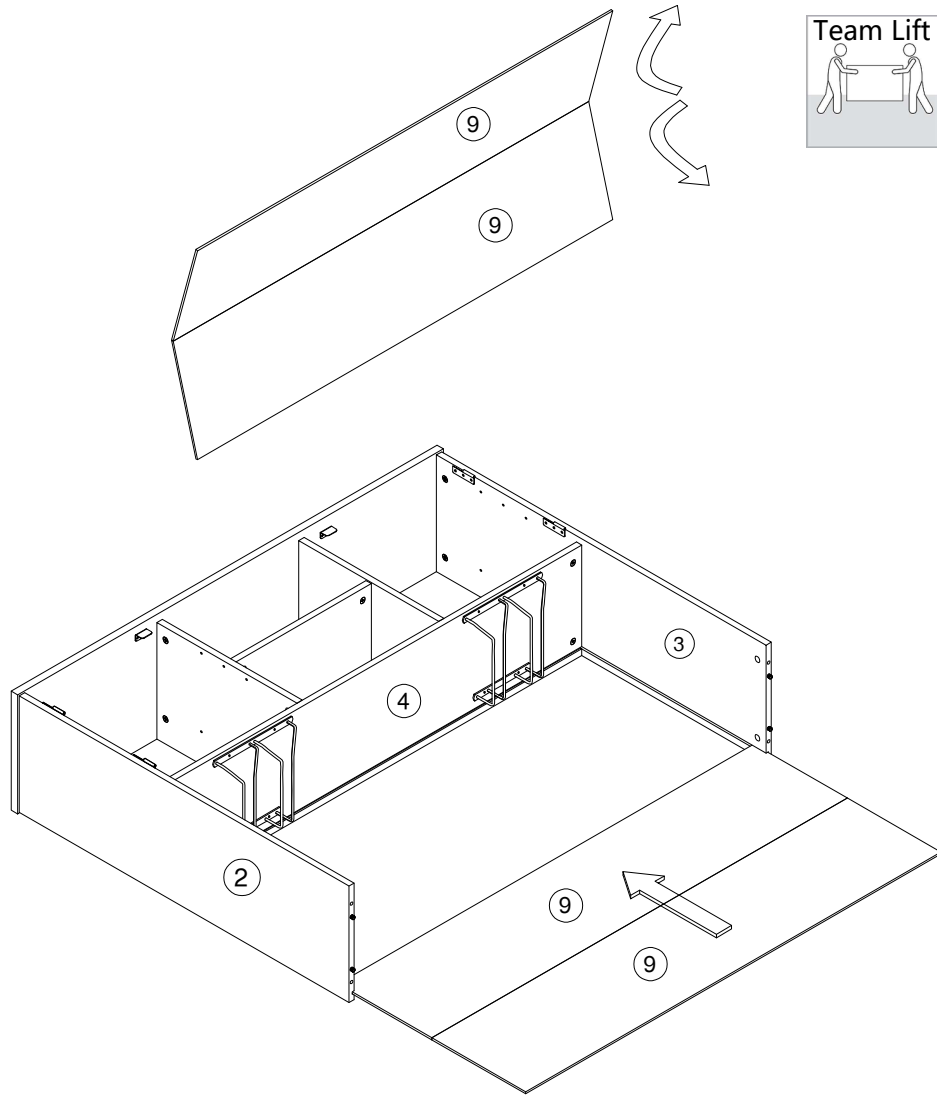


(B)

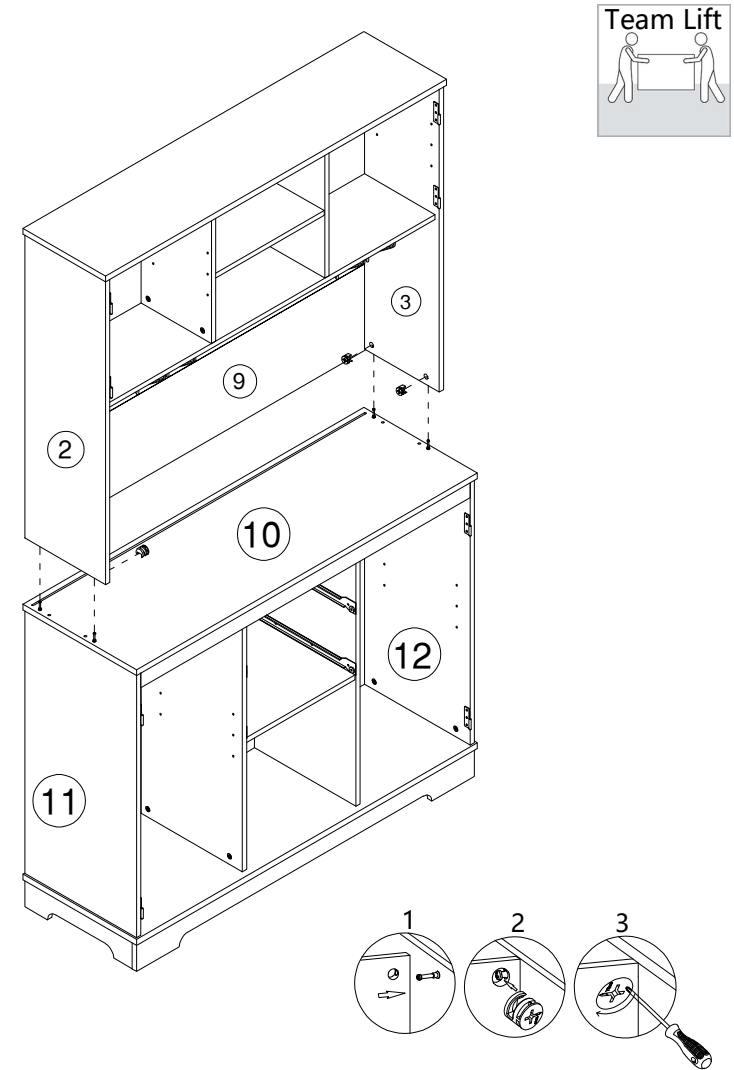


[x8]

6



19

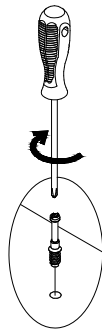
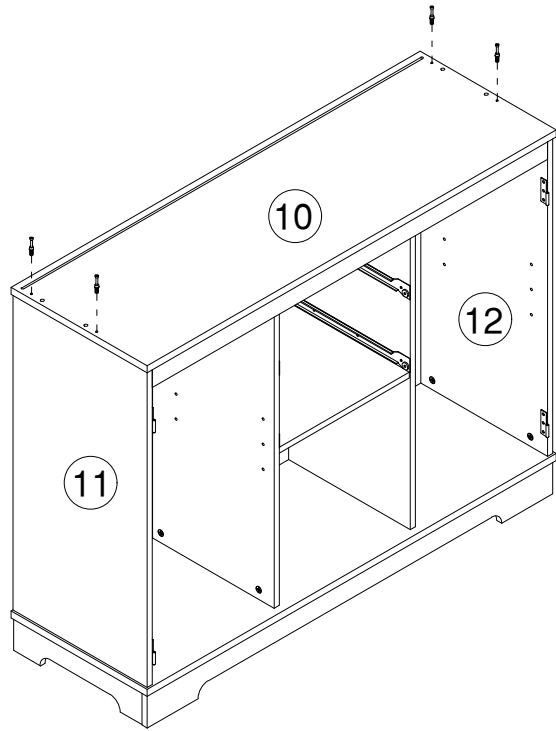


B

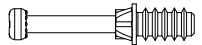


[x4]

18

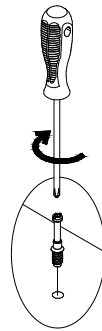
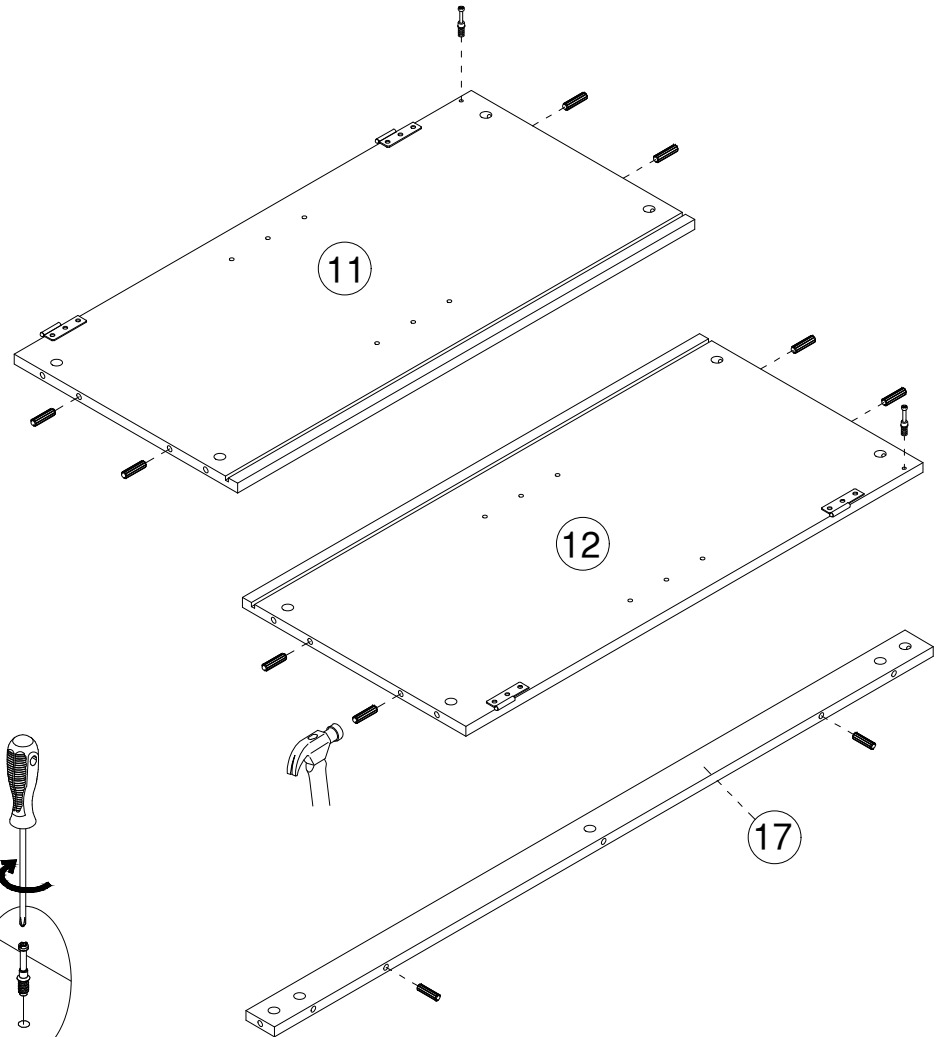


A

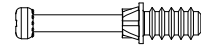


[x4]

7



A



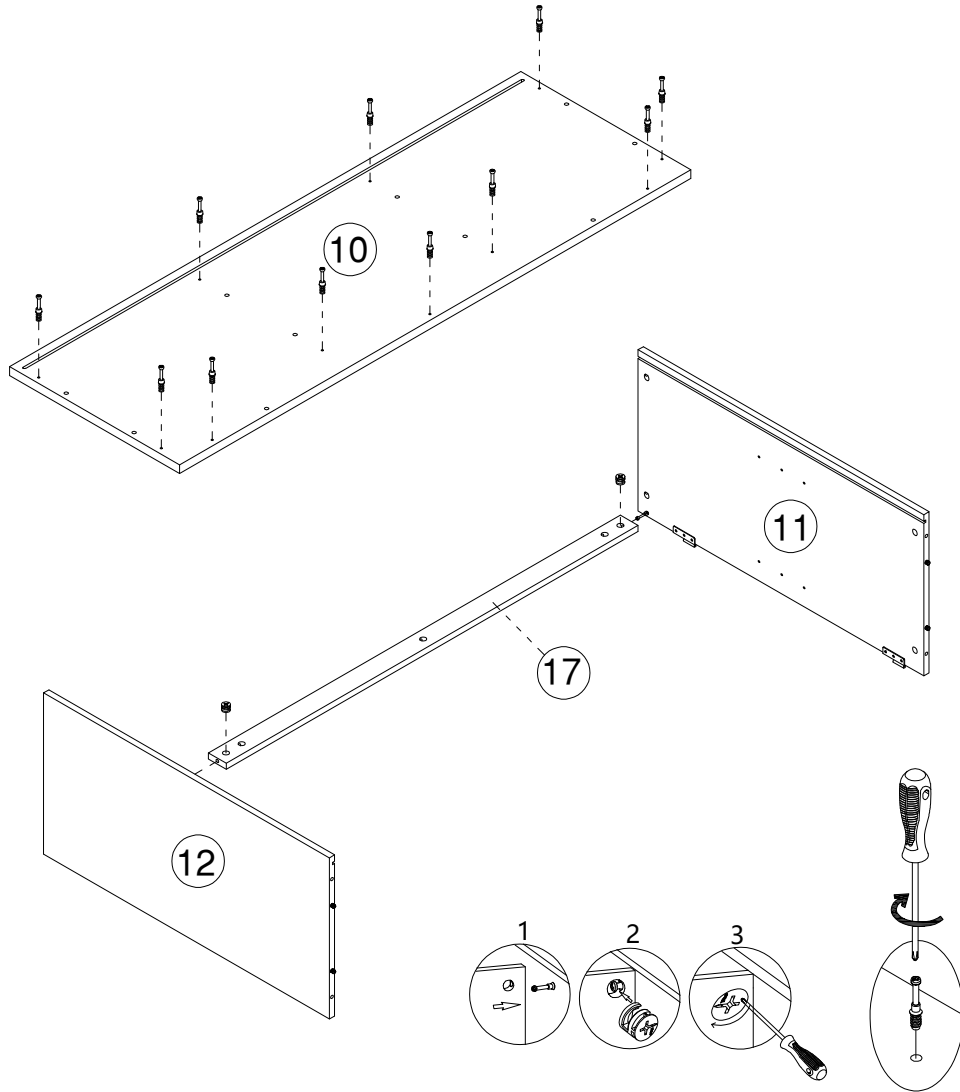
[x2]

C

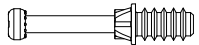


[x10]

8



A



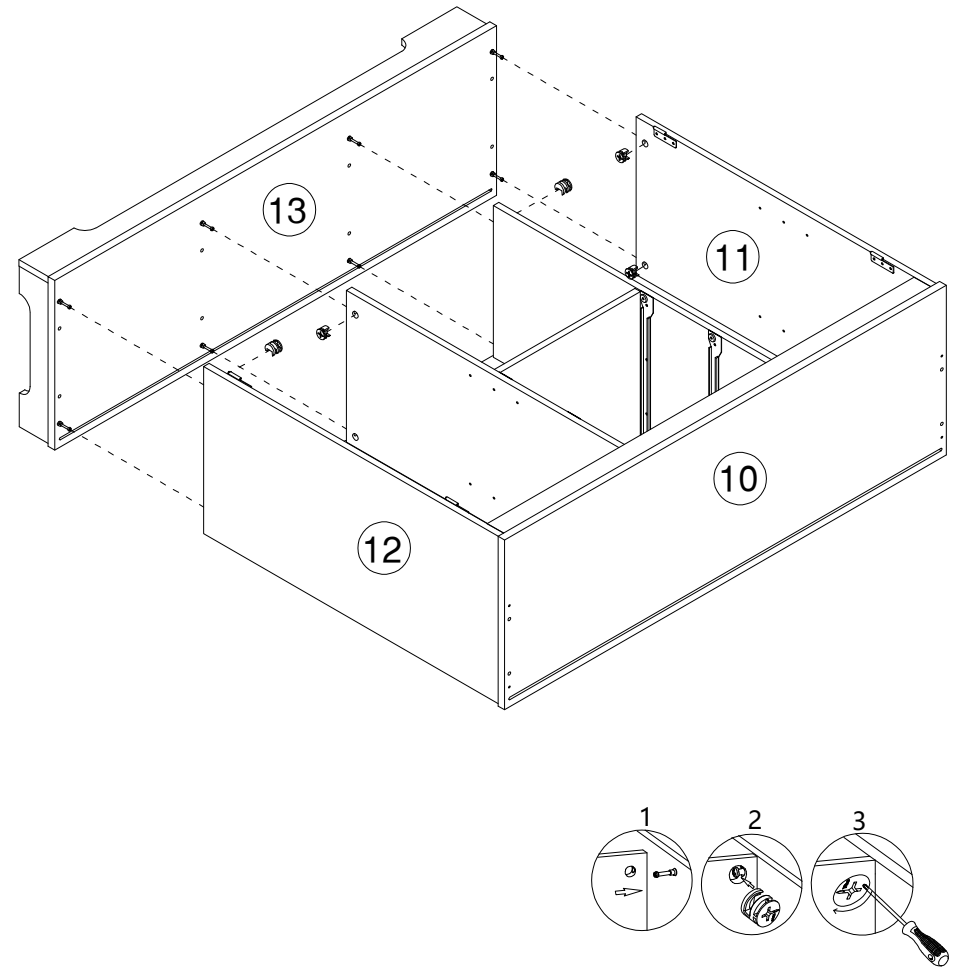
[x11]

B



[x2]

17

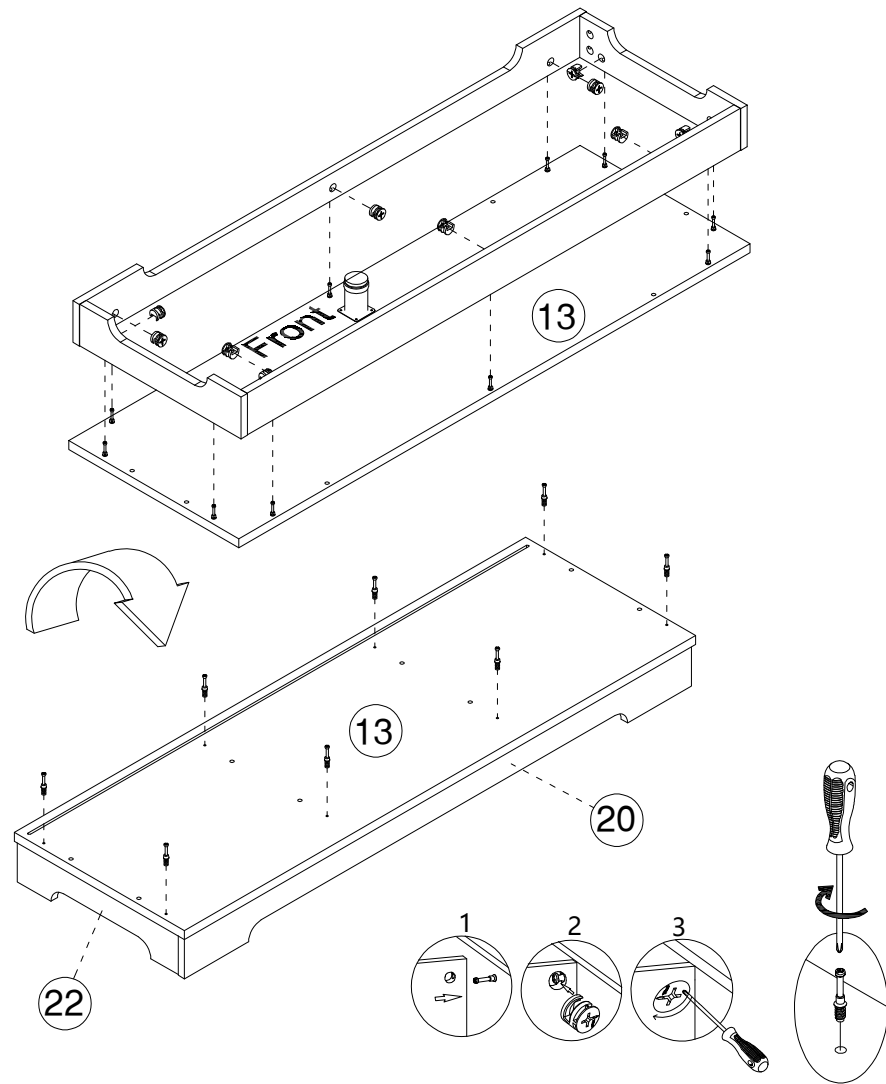


B

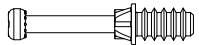


[x8]

16



A



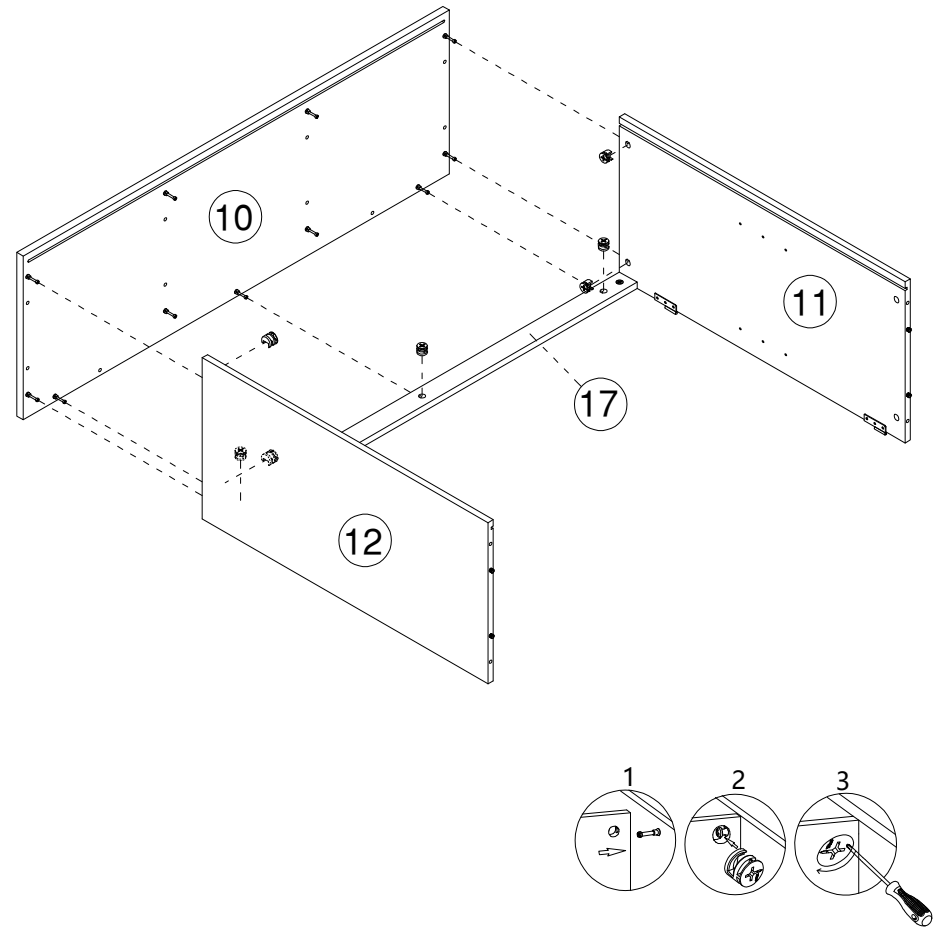
[x8]

B



[x10]

9

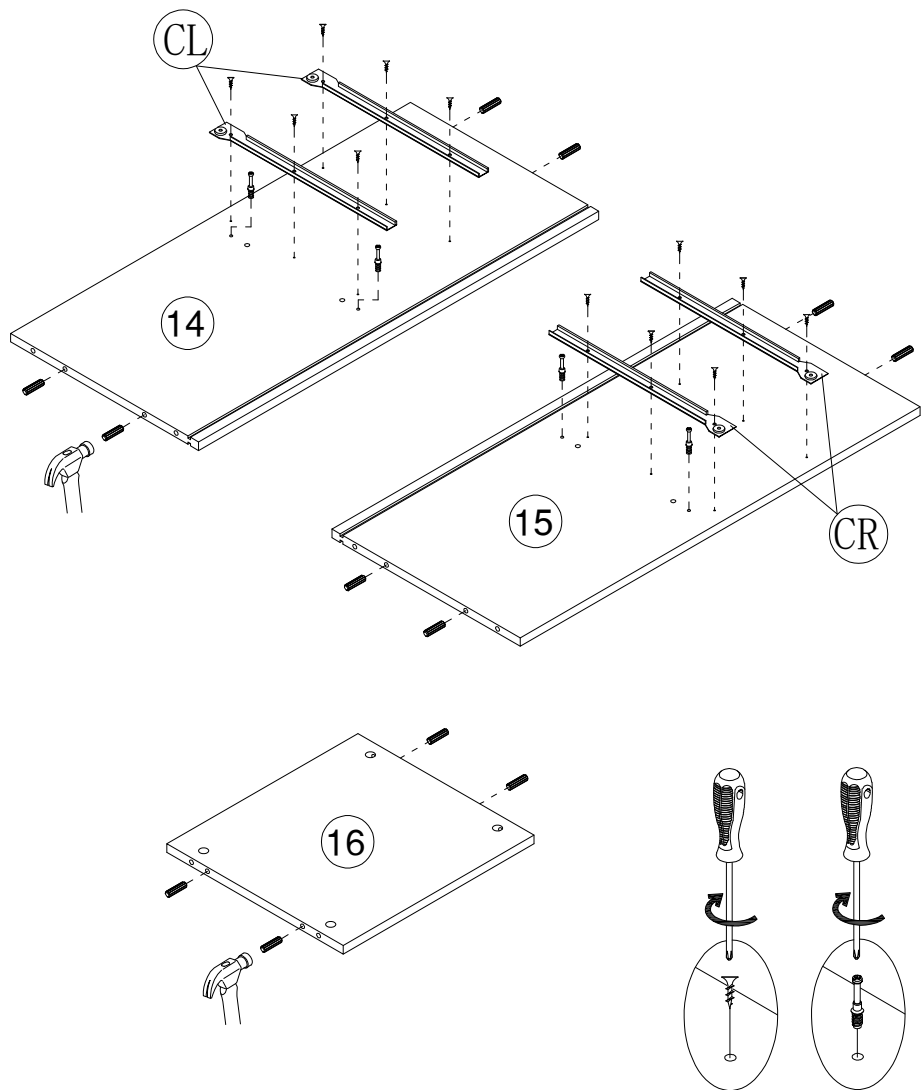


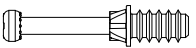
B



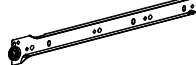
[x7]

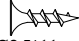
10



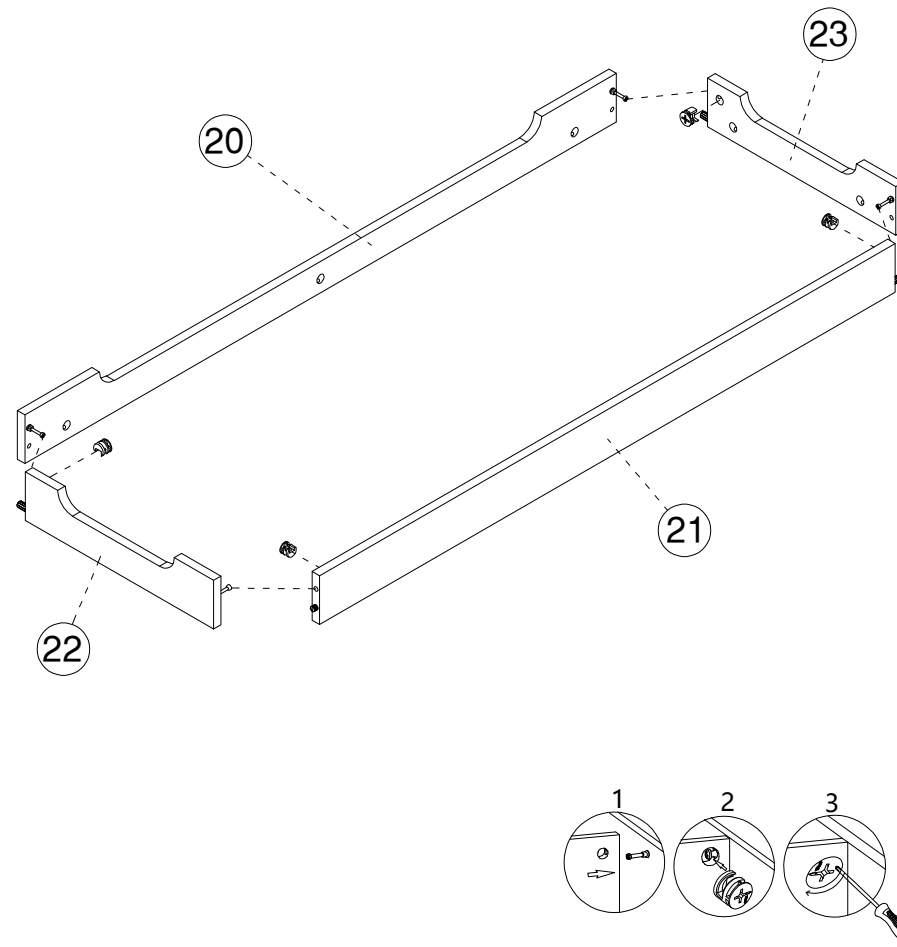
(A)  [x4]

(C)  [x12]

(N)  [x4]

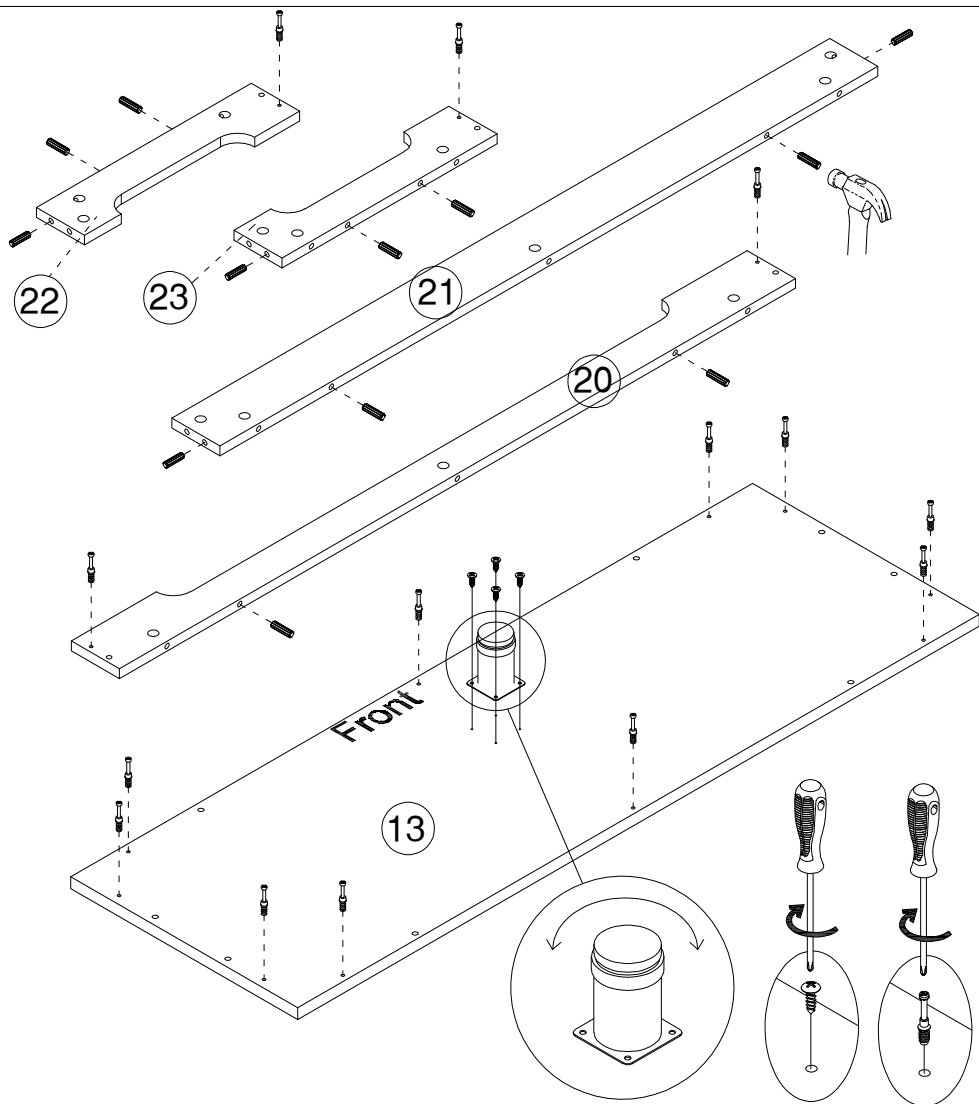
(U)  Ø3.5*11mm [x12]

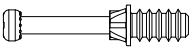
15



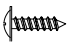
(B)  [x4]

14



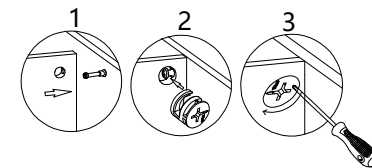
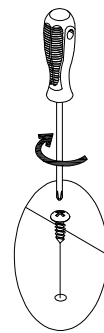
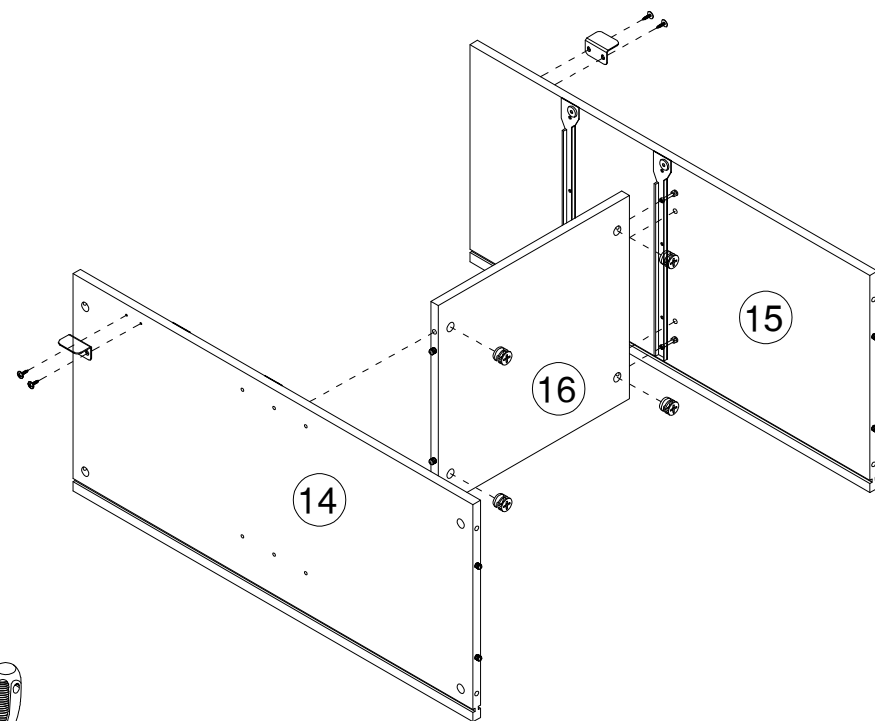
A  [x14]

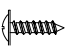
C  [x12]

Q  [x4]

T  [x1]

11

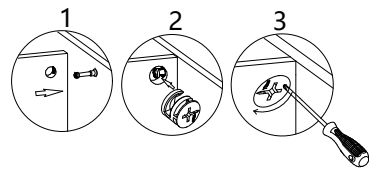
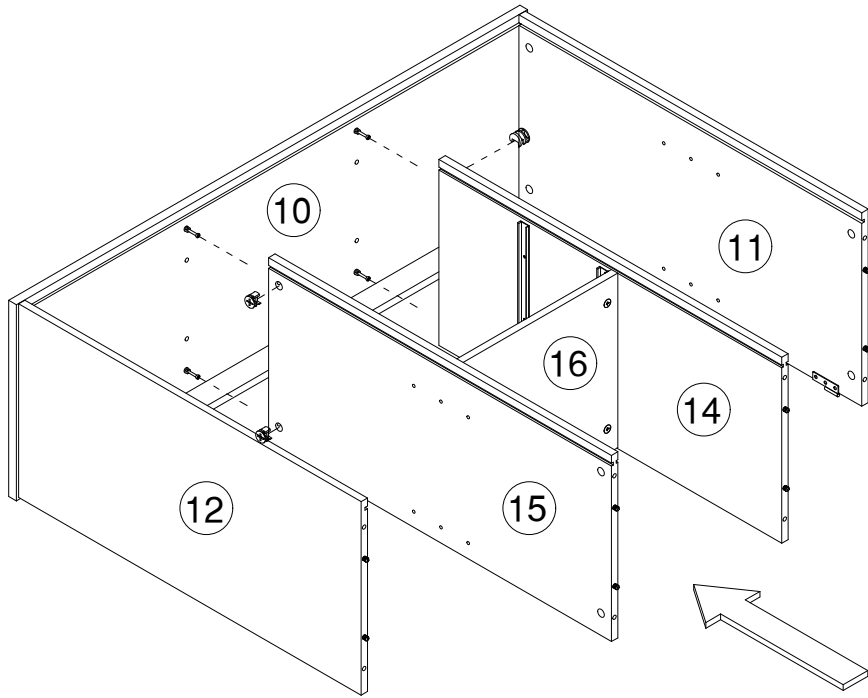


Q  [x4]

R  [x2]

B  [x4]

12



(B)



[x4]

13

