

ASSEMBLY INSTRUCTIONS

Description: Cheshire Bench

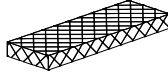
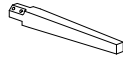
Important safety instructions:

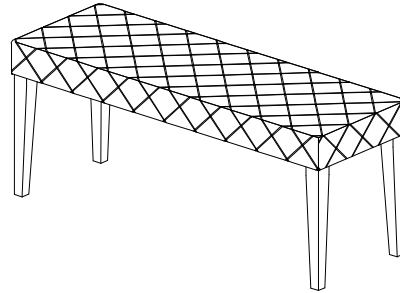
- Please carefully read all instructions before assembly.
- For your safety and ease, assembly by two or more adults is recommended.
- Keep instructions for future use.

Pre-assembly:





- Do not discard any contents until assembly is complete to avoid accidentally discarding small parts or hardware.
- Take out all parts and hardware from box.

Parts List




Item	Description	QTY
P1	Seat Cushion 	1
P2	Legs 	4



Hardware List

Item	Description	QTY
H1	Bolts $\varnothing 1/4"$ * 2-3/8" 	8
H2	Lock Washers 1/4" 	8
H3	Flat Washers 1/4" 	8
H4	Allen Wrench 1/4" 	1

Extra Hardware

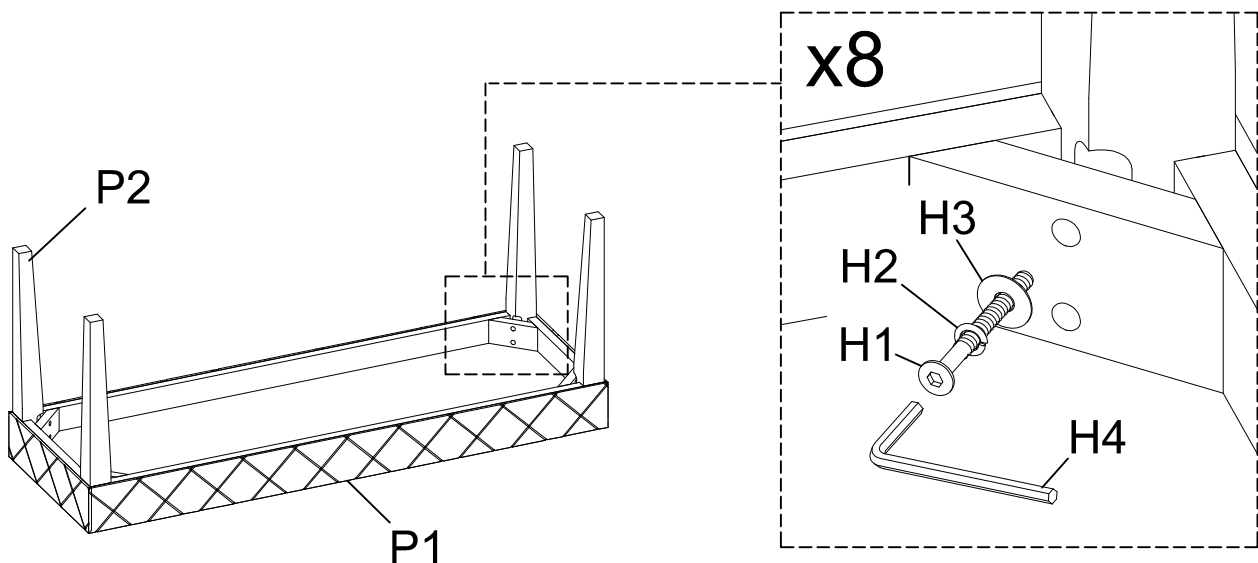
Item	Description	QTY
H1	Bolts $\varnothing 1/4"$ * 2-3/8" 	1
H2	Lock Washers 1/4" 	1
H3	Flat Washers 1/4" 	1

DISCLAIMER:

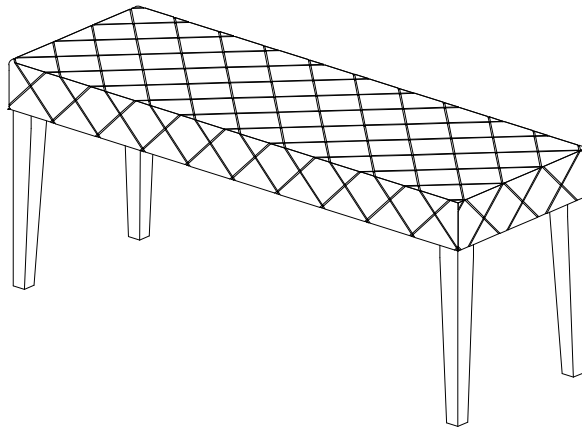
WHEN PROPERLY ASSEMBLED, THIS ITEM IS SAFE FOR INTENDED USE. SELLER IS NOT LIABLE FOR ANY DAMAGES RESULTING FROM ITEM BEING IMPROPERLY ASSEMBLED AFTER PURCHASE.

Assembly Procedures:

- Step 1. Assemble the bench on a flat, soft surface such as a carpet or cloth to prevent scratching the finish.
- Step 2. Attach legs (P2) to seat cushion (P1) using bolts (H1), lock washers (H2) and flat washers (H3). Tighten all the bolts with Allen wrench (H4).



Step 3. Assembly is Completed.



ADDITIONAL NOTE ABOUT SAFETY: BOLTS MAY LOOSEN DURING NORMAL EVERYDAY USE. THEY SHOULD BE PERIODICALLY INSPECTED AND RE-TIGHTENED TO PREVENT DAMAGE OR INJURY. ALWAYS CHECK TO BE ENSURE THAT ALL HARDWARE IS KEPT TIGHTENED.

Thank you for your purchase