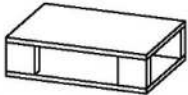



MID CENTURY END TABLE

Assembly instructions:

PARTS LIST

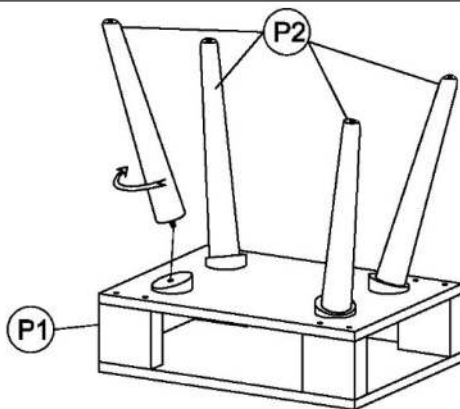
No.	DESCRIPTION	IMAGE	QTY
P1	TOP		1
P2	LEG		4

NOTE: PO# is located underneath/ inside of each item. Please be prepared to provide this # should any claim be necessary.

DISCLAIMER:

When properly assembled, this item is safe for intended use. Seller is not liable for any damages resulting from item being improperly assembled after purchase.

1



2



ASSEMBLY COMPLETED