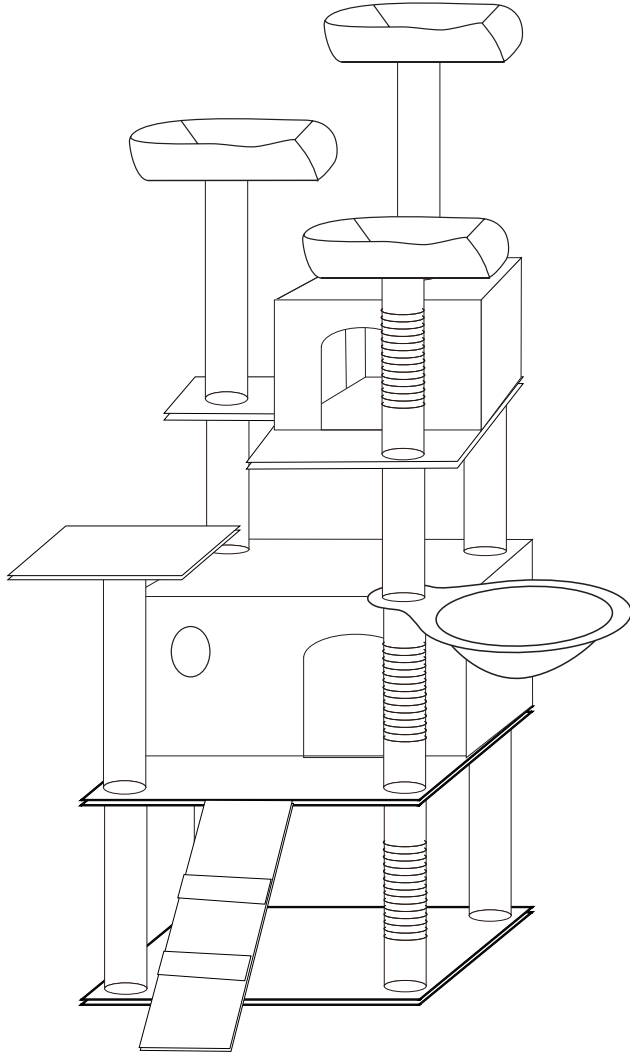
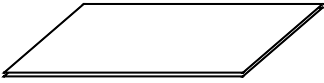


Instructions



A

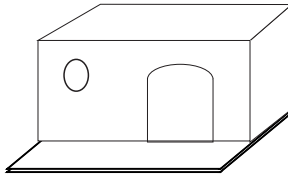
x1



500 x 450 mm

B

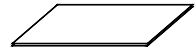
x1



500 x 450 mm

C

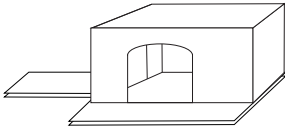
x1



250 x 250 mm

D

x1



500 x 450 mm

E

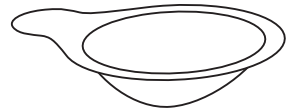
x3



280 x 280 mm

F

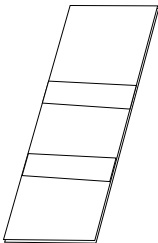
x1



300mm

G

x1



430x150mm

P1



Φ58 x 370 mm

x3

P2



Φ58 x 370 mm

x1

P3



Φ58 x 370 mm

x1

P4



Φ58 x 300 mm

x1

P5



Φ58 x 300 mm

x1

P6



Φ58 x 250 mm

x2

P7



Φ58 x 250 mm

x1

P8



Φ58 x 240 mm

x1

P9



Φ58 x 240 mm

x1

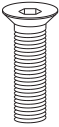
P10



Φ30 x 225 mm

x8

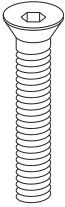
W1



M8 x 20 mm

x2

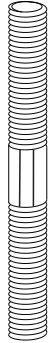
W2



M8 x 40 mm

x26

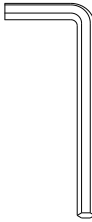
W3



M8 x 80 mm

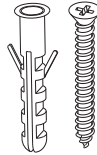
x5

W4



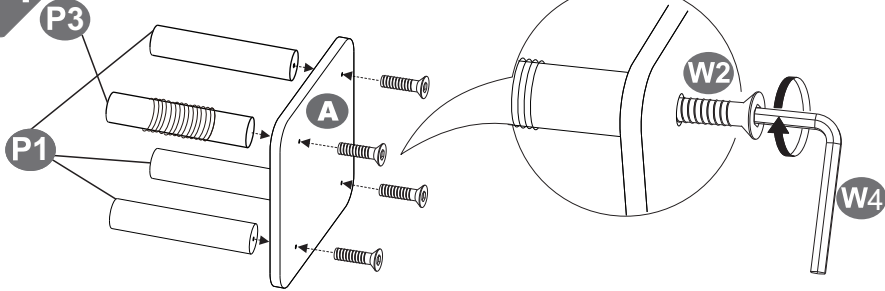
x1

W5



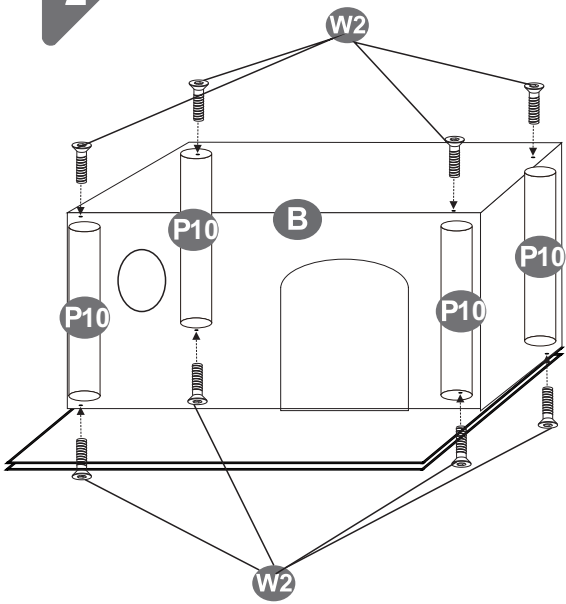
x1

1

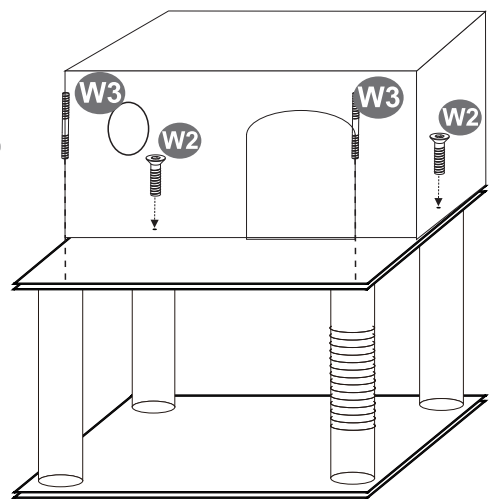


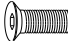
40mm **W2**  x4


2



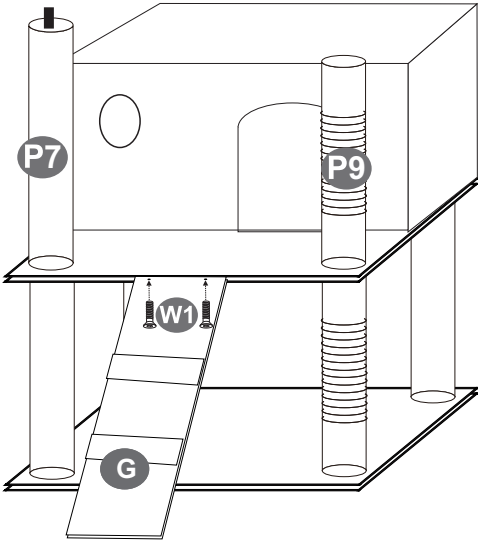
3



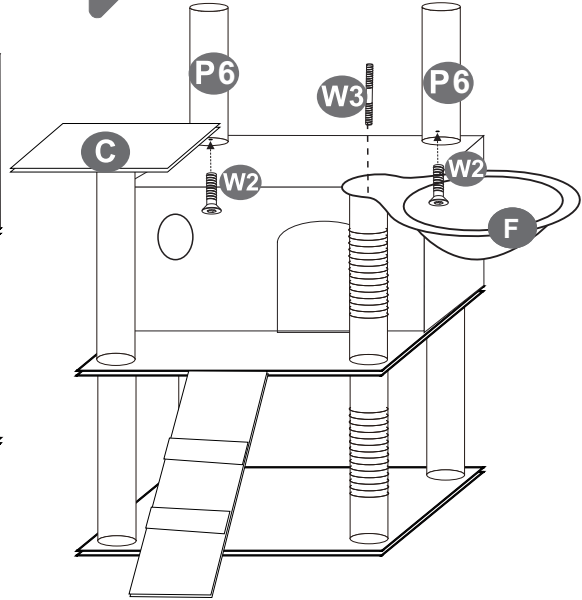
W2  x10

W3  x2

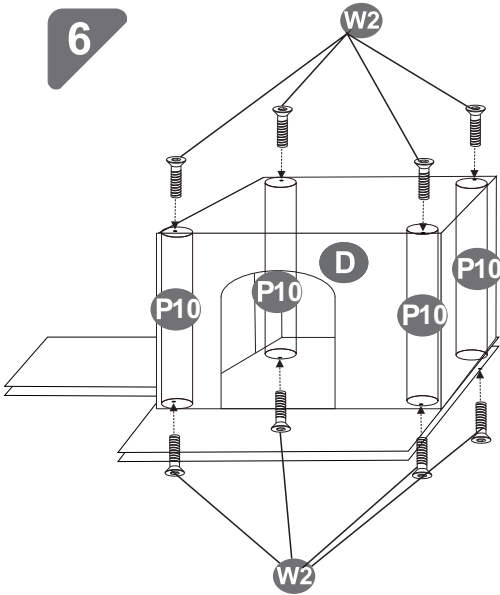
4



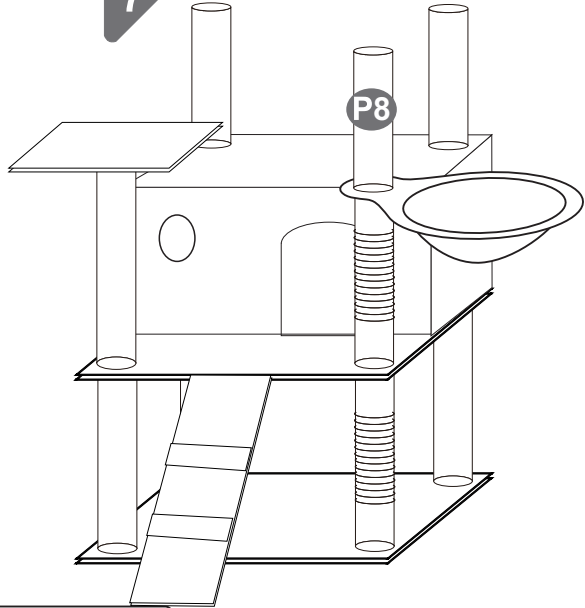
5






6

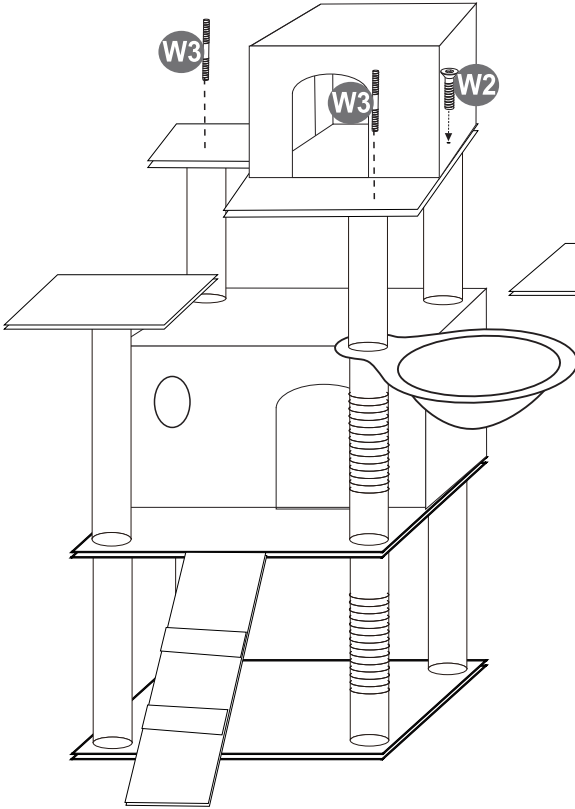


7

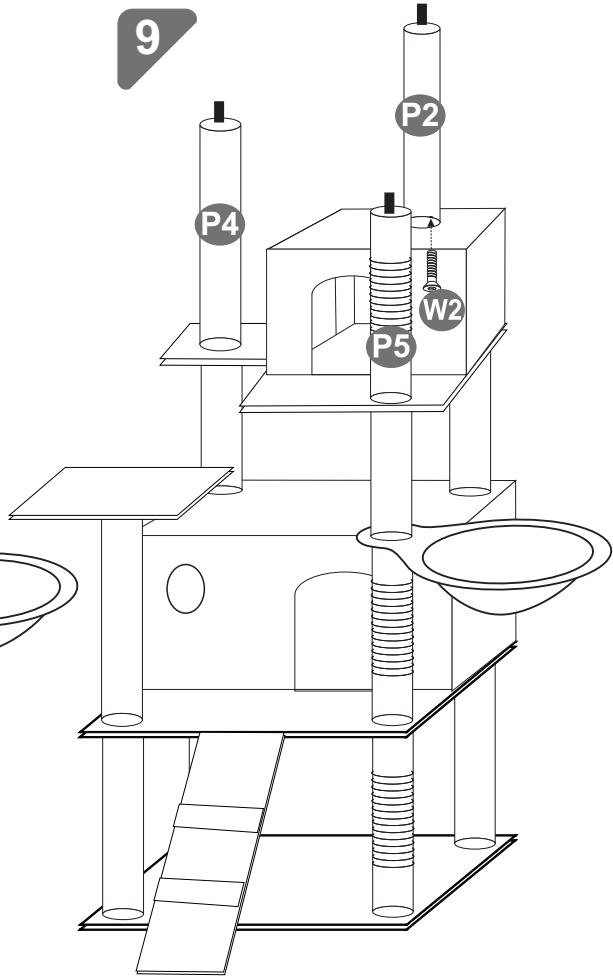


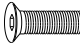
W2		x10
W3		x1
W1		x2

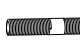
8



9



W2  x 2

W3  x 2

10

