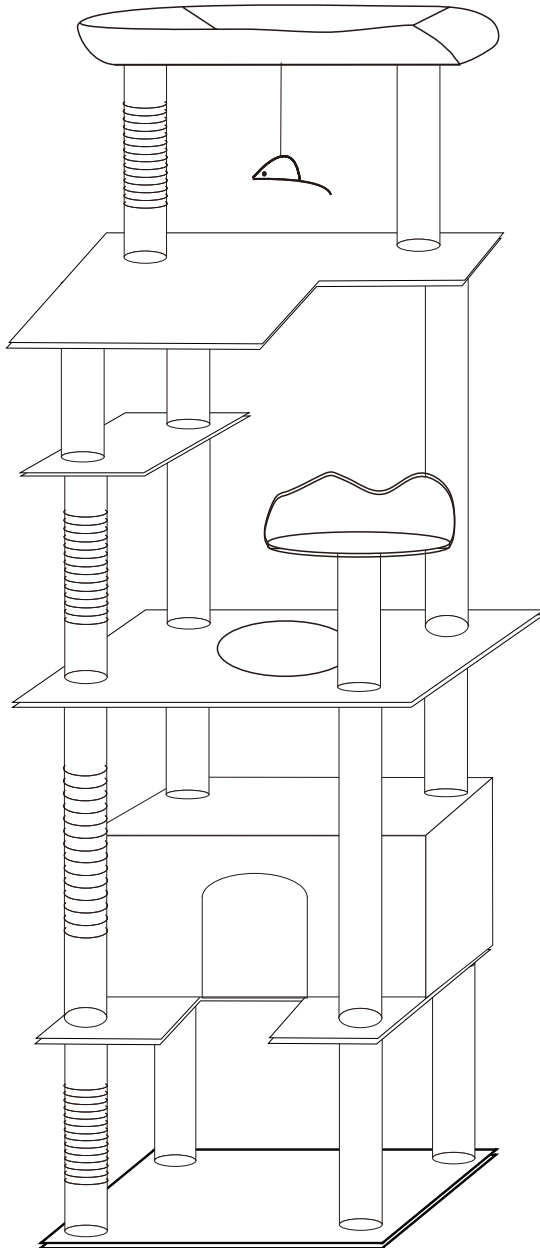
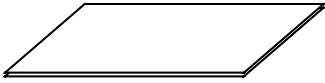


# Instructions



**A**

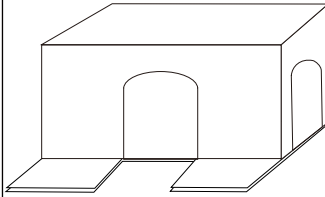
x1



600 x 500 mm

**B**

x1



600 x 500 mm

**C**

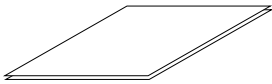
x1



600 x 500 mm

**D**

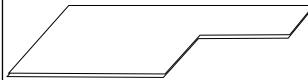
x1



500 x 220 mm

**E**

x1



600 x 500 mm

**F**

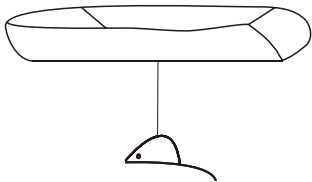
x1



290 mm

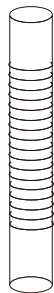
**G**

x1



600x280mm

P1



Φ58 x 550 mm

x1

P2



Φ58 x 550 mm

x1

P3



Φ58 x 500 mm

x1

P4



Φ58 x 300 mm

x2

P5



Φ58 x 300 mm

x4

P6



Φ58 x 270 mm

x1

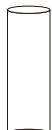
P7



Φ58 x 270 mm

x3

P8



Φ58 x 220 mm

x2

P9



Φ58 x 200 mm

x1

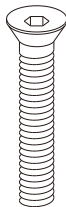
P10



Φ30 x 270 mm

x4

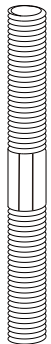
W1



M8 x 40 mm

x 19

W2



M8 x 80 mm

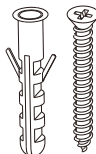
x 10

W3



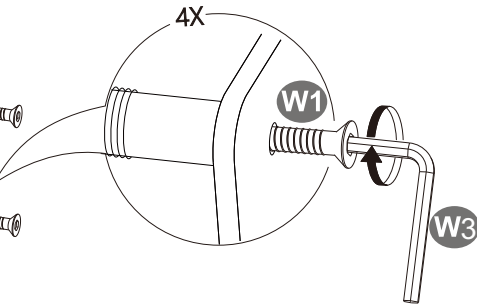
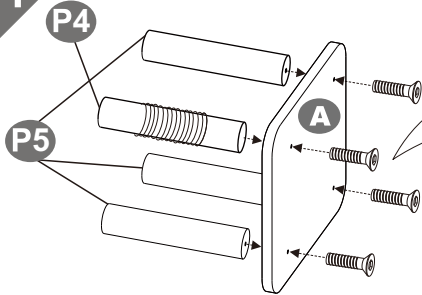
x 1

W4



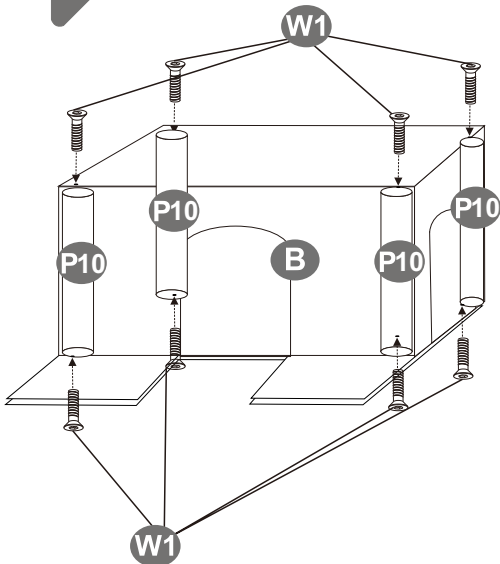
x 1

1

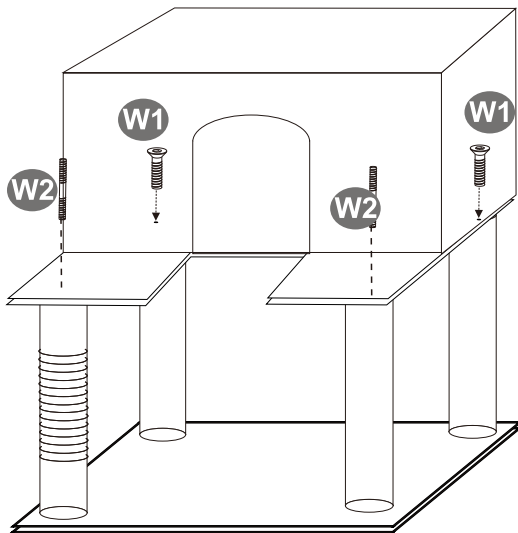


40mm **W1**  x4

2



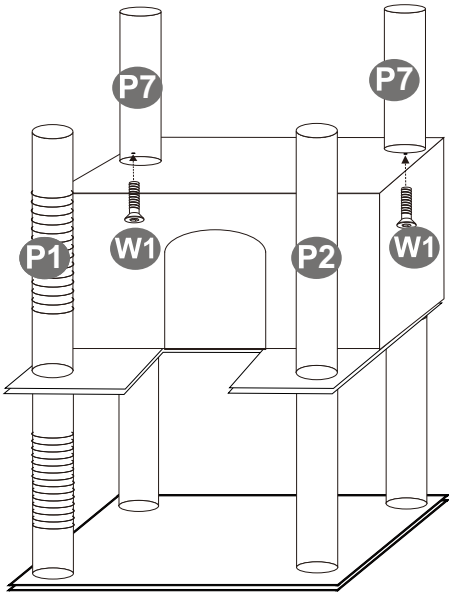
3



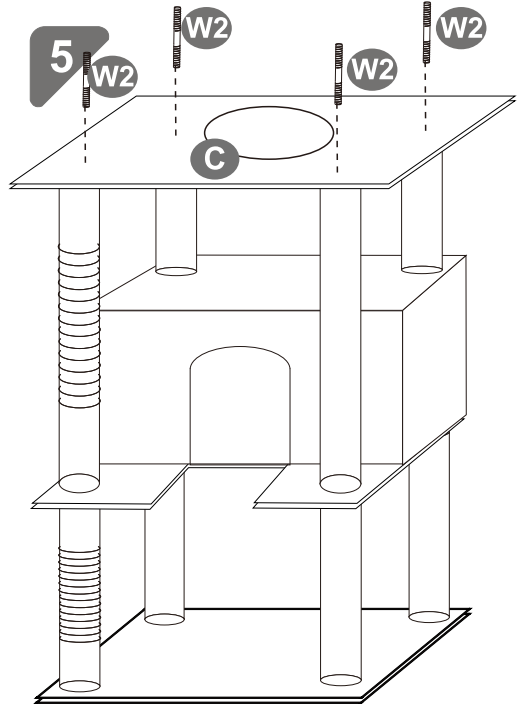
**W1**  x10

**W2**  x2

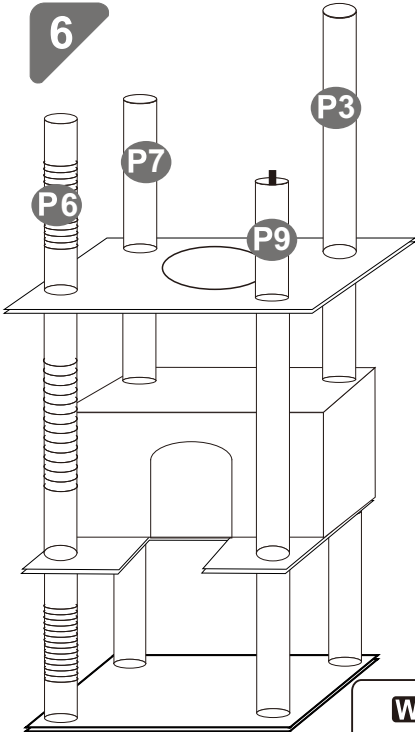
4



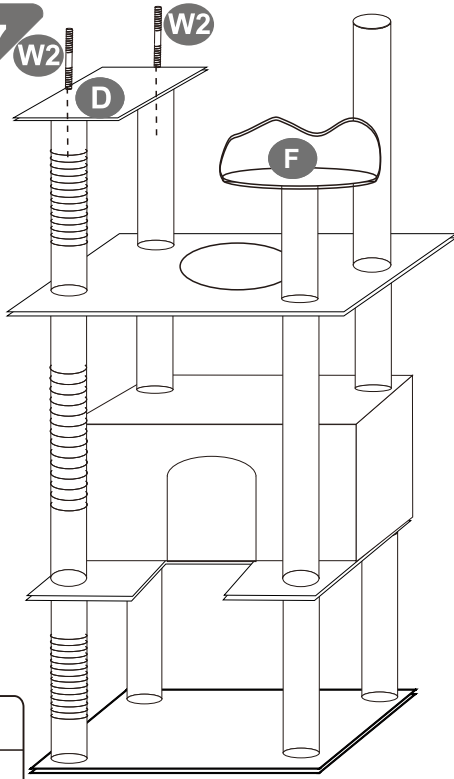
5





6

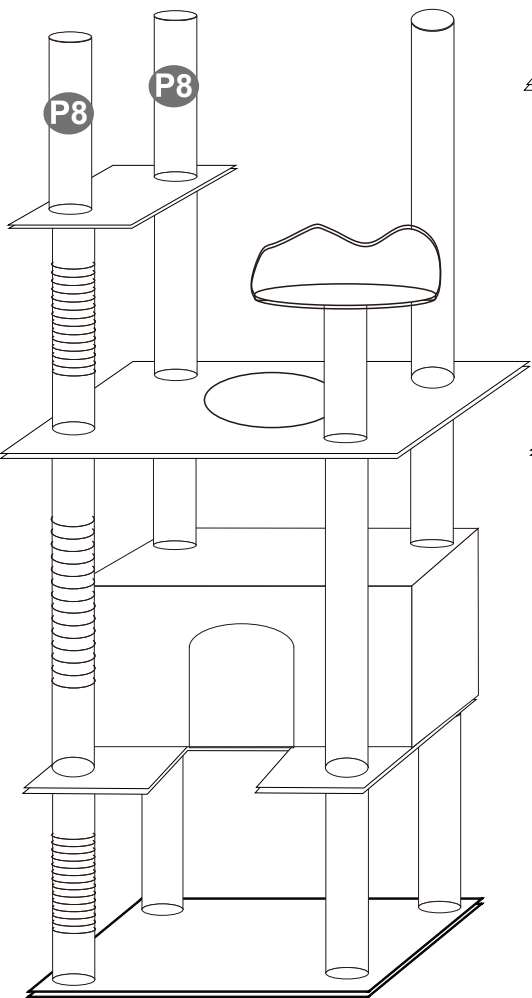


7

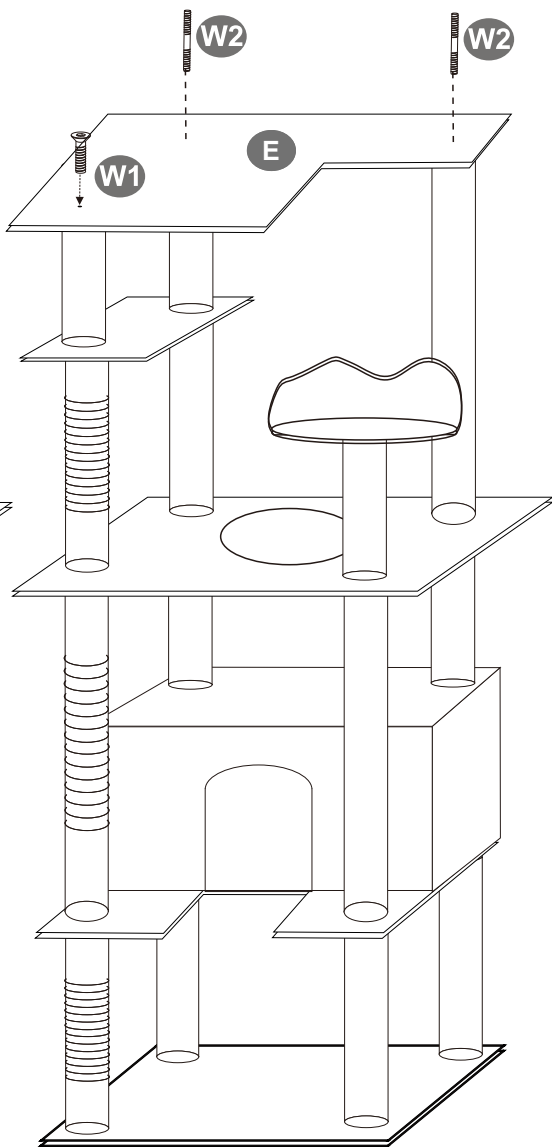


<b>W1</b>		x2
<b>W2</b>		x6

8

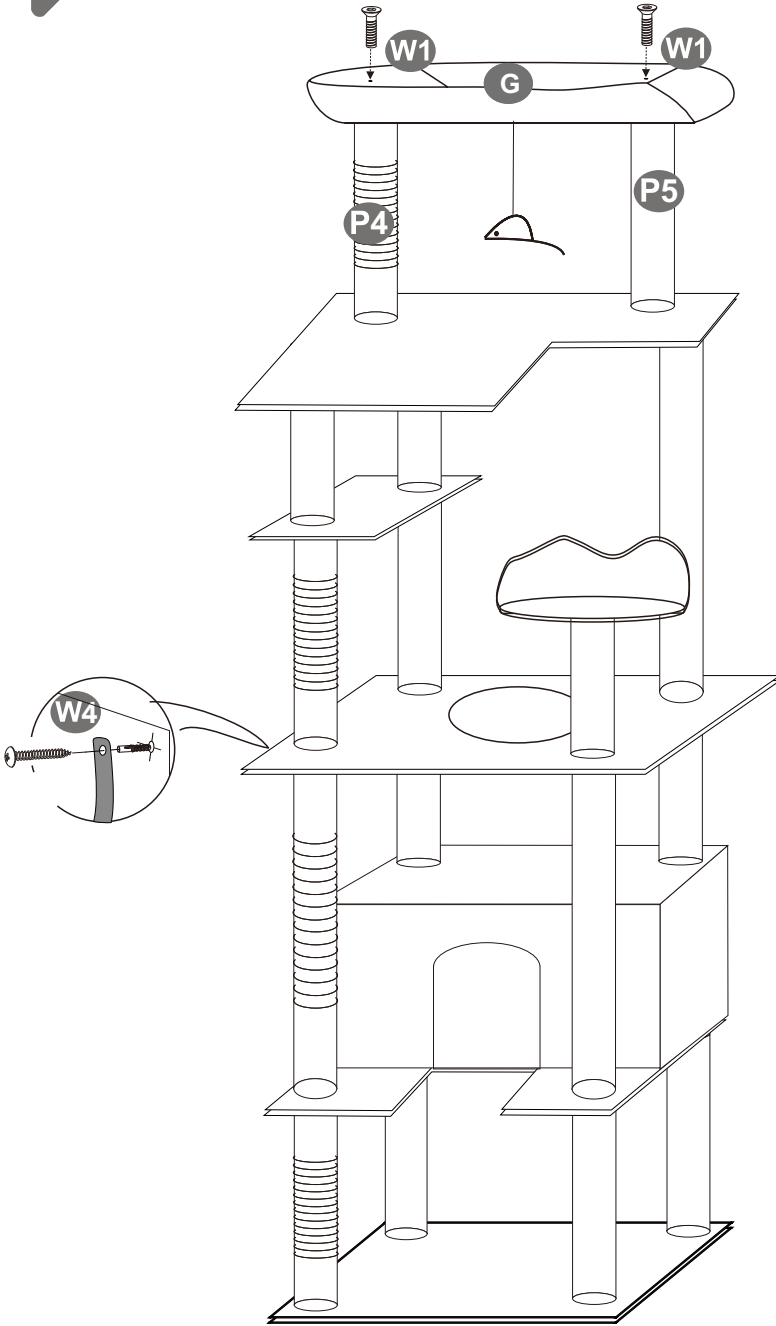



9



**W1**  **x1**

**W2**  **x2**



**W1**  **x2**