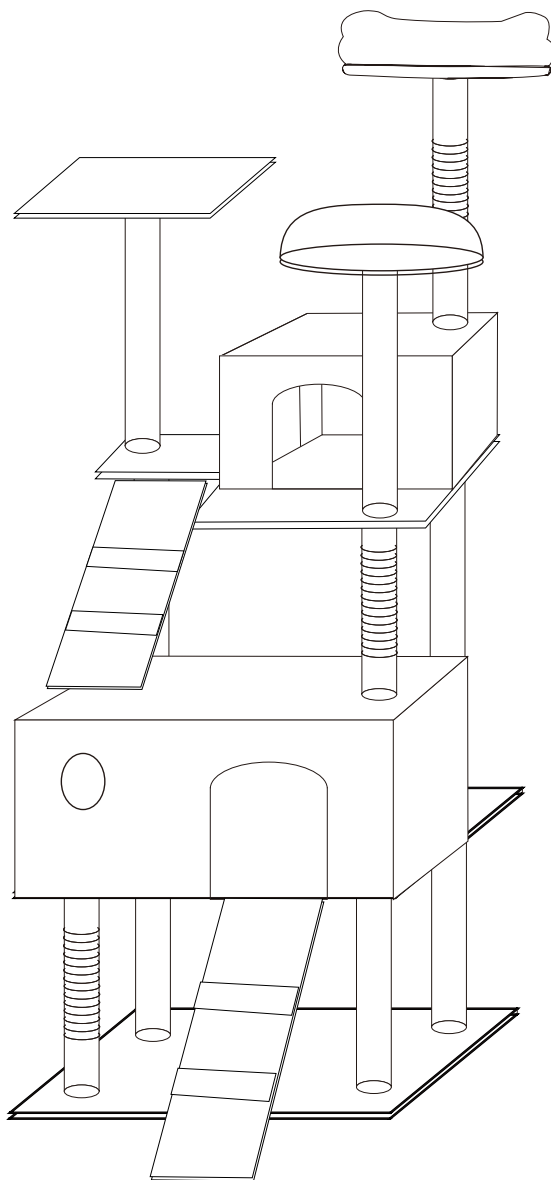


Instructions



A

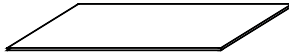
x1



500x500mm

B

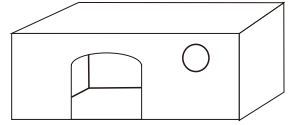
x1



500x200mm

C

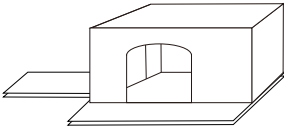
x1



500x200x280

D

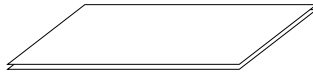
x1



500x500mm

E

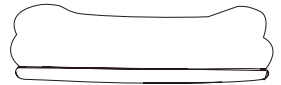
x1



300x300mm

F

x1



300mm

G

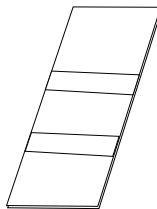
x1



300mm

H

x2



390x150mm

P1



Φ58 X 500 mm

x2

P2



Φ58 X 400 mm

x2

P3



Φ58 X 360 mm

x1

P4



Φ58 X 330 mm

x2

P5



Φ58 X 330 mm

x1

P6



Φ58 X 300 mm

x1

P7



Φ58 X 300 mm

x1

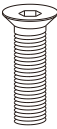
P8



Φ30 X 225 mm

x8

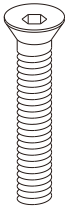
W1



M8 x 20 mm

x4

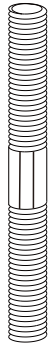
W2



M8 x 40 mm

x25

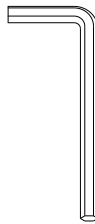
W3



M8 x 80 mm

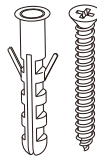
x4

W4



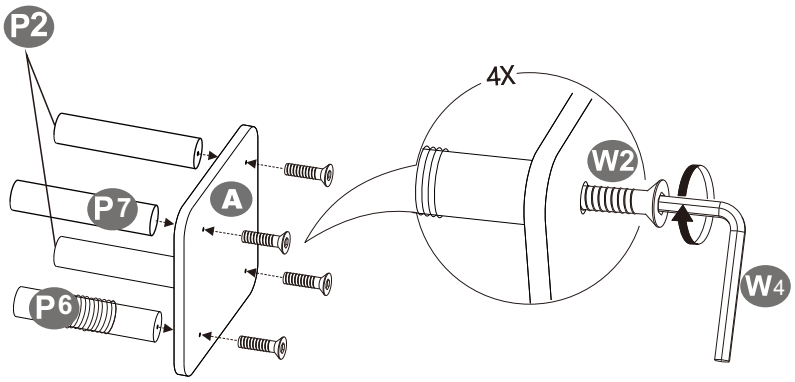
x1

W5



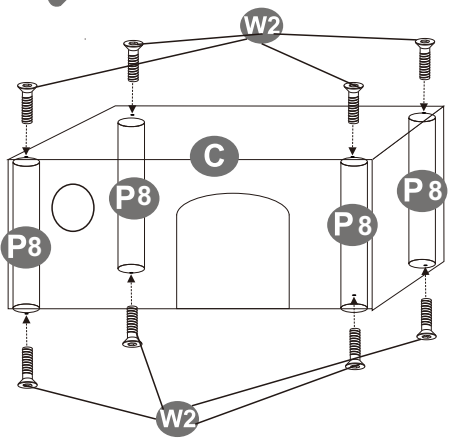
x1

1

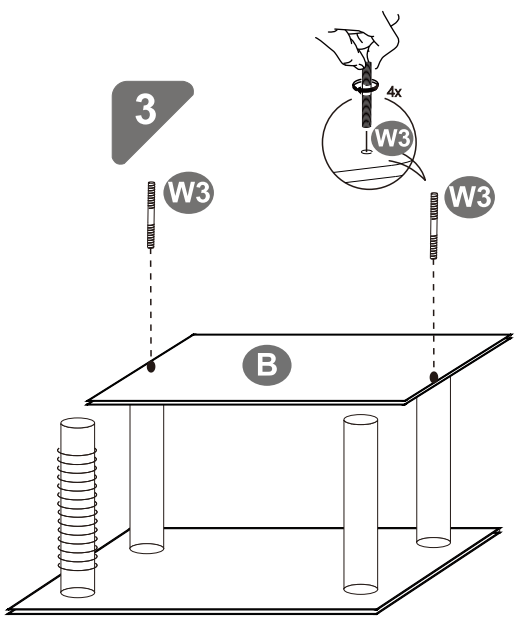




40mm **W2**  X4

2

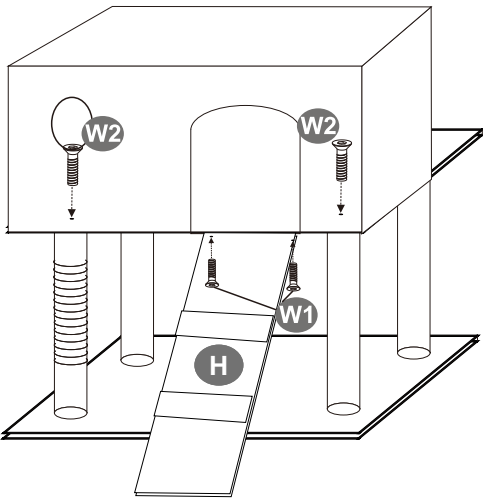


3

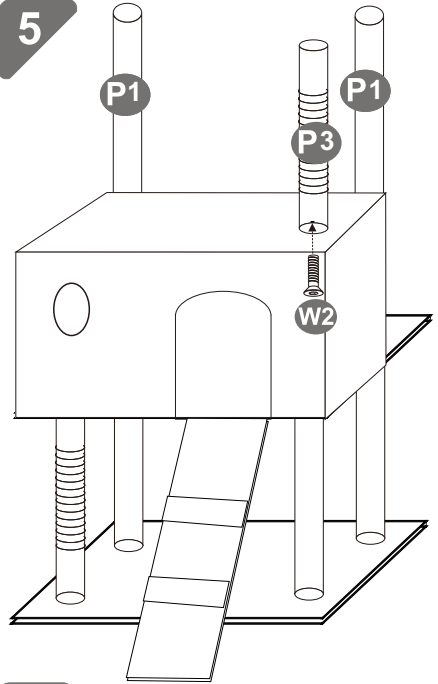


W2		X8
W3		X2

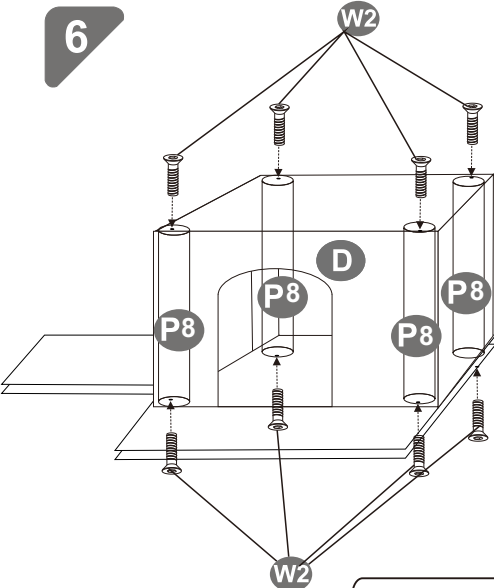
4



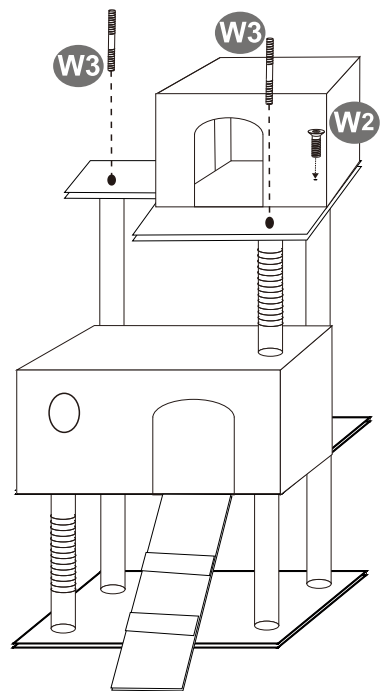
5






6

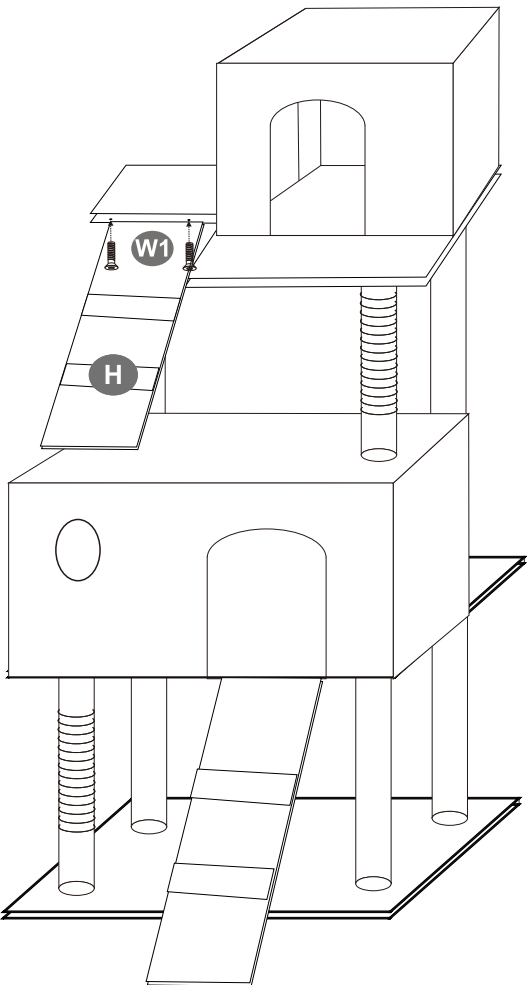


7

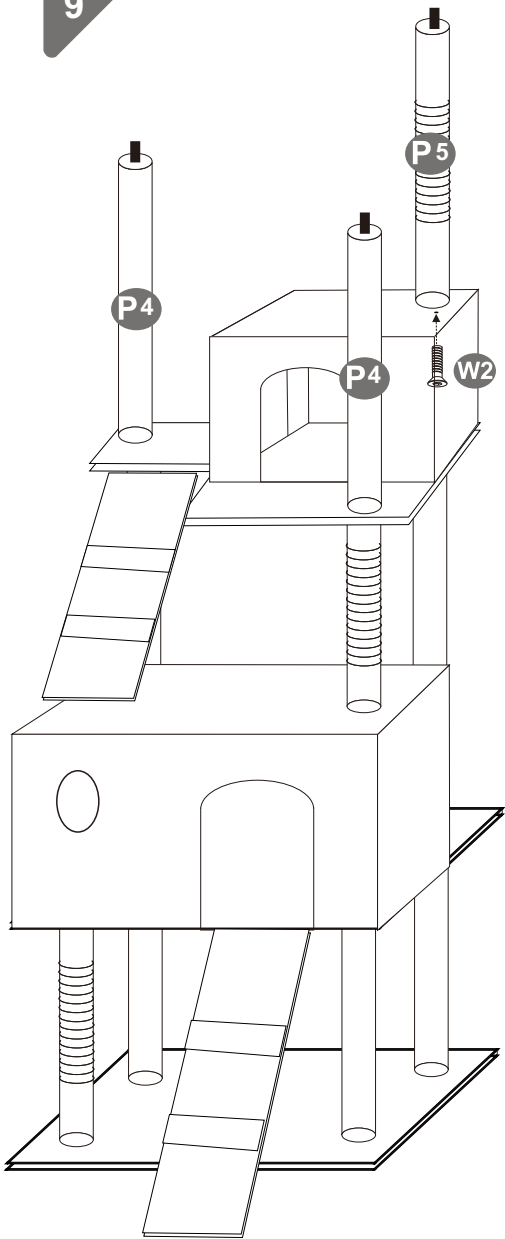



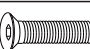
W2		× 12
W3		× 2
W1		× 2

8



9



W1		X2
W2		X1

