



Thank you for purchasing your new Item from ArtLand Home. We are sure you are going to be pleased with it.

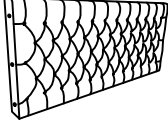
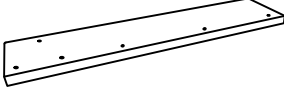
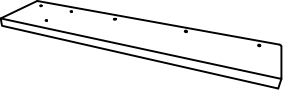
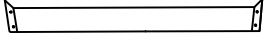
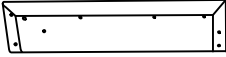
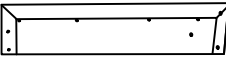
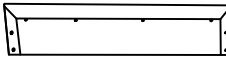

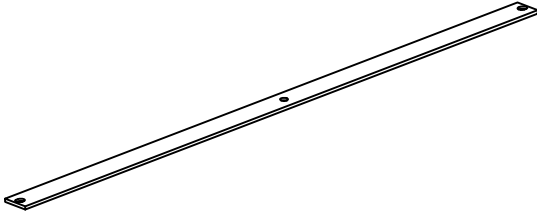
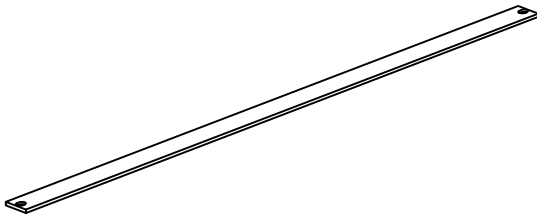










**DO NOT RETURN TO THE STORE!**

If parts are missing or damaged, we will gladly ship your replacements parts free of charge.







- If you need any assistance with your new item or if you are missing any parts please email us your inquiries at: [ArtlandCN@outlook.com](mailto:ArtlandCN@outlook.com). We will be happy to assist and walk you through your assembly process.
- Work in a spacious area, preferably on carpet near where the item will be used.
- Although most items are easy to assemble, we recommend an extra pair of hands to make it easier on you.
- Check your item list to make sure all your parts and hardware are included before you begin the assembly process.
- It is important to follow each step as instructed to avoid any unwanted obstacles.

**NOTE: ALL PARTS REQUIRED FOR ASSEMBLY OF THIS BED ARE PACKED IN THE OPEN SPACE IN THE BACK OF THE HEADBOARD PANEL.**

<p><b>A x 1</b></p>  <p>headboard</p>	<p><b>B x 1</b></p>  <p>Left bed wing</p>	<p><b>C x 1</b></p>  <p>Right bed wing</p>	<p><b>D x 1</b></p>  <p>Bed foot</p>
<p><b>E x 1</b></p> 	<p><b>F x 1</b></p> 	<p><b>G x 2</b></p> 	<p><b>H x 4</b></p> 
<p><b>I x 4</b></p> 		<p><b>J x 4</b></p> 	
<p><b>K x 6</b></p>  <p>5/16"x100mm</p>	<p><b>L x 12</b></p>  <p>M8*22mm</p>	<p><b>M x 10</b></p>  <p>M8</p>	<p><b>N x 20</b></p>  <p>5/16"x20mm</p>
<p><b>O x 22</b></p>  <p>5/16"x50mm</p>	<p><b>P x 36</b></p>  <p>M8*17mm</p>	<p><b>Q x 16</b></p>  <p>1/4"x30mm</p>	<p><b>R x 4</b></p>  <p>5/16"x30mm</p>

**⚠ NOTE: UNIT SHOULD BE ASSEMBLED BY TWO OR MORE PEOPLE. DO NOT TIGHTEN ANY BOLTS UNTIL ALL BOLTS HAVE BEEN STARTED!**

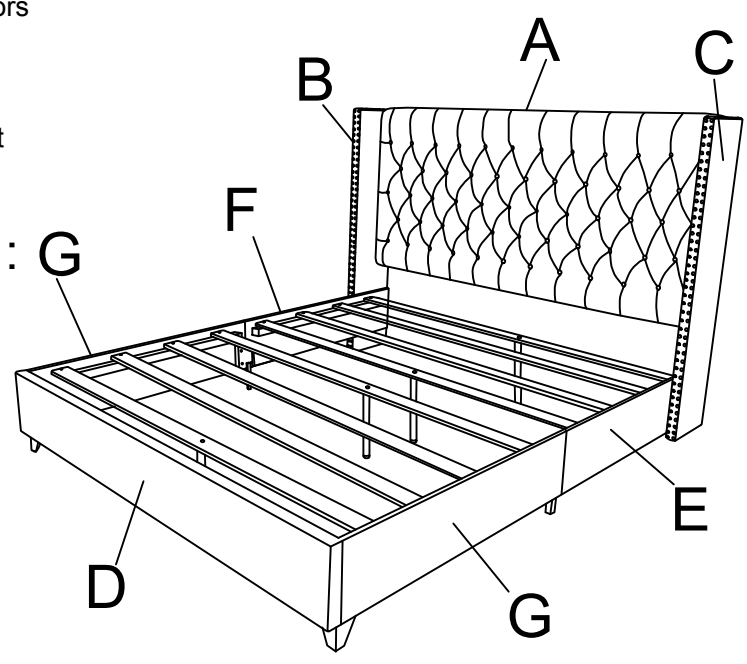
**NOTE: ALL PARTS REQUIRED FOR ASSEMBLY OF THIS BED ARE PACKED IN THE OPEN SPACE IN THE BACK OF THE HEADBOARD PANEL.**

<b>S x 4</b> 	<b>T x 2</b>  connector	<b>U x 2</b> 	<b>V x 2</b>  leg
<b>x 1</b> 	<b>x 1</b>  M5		


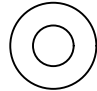

 **NOTE: UNIT SHOULD BE ASSEMBLED BY TWO OR MORE PEOPLE. DO NOT TIGHTEN ANY BOLTS UNTIL ALL BOLTS HAVE BEEN STARTED!**

- \* Always use proper tools.
- \* Follow the assembly steps in order. Do not skip any steps.
- \* Periodically check to ensure that all connectors (bolts, screws, etc.) are tight.
- \* Keep the instructions for future reference.
- \* Where assembly instructions state that the assembly requires two or more people, do not attempt by yourself as there is a risk of injury.

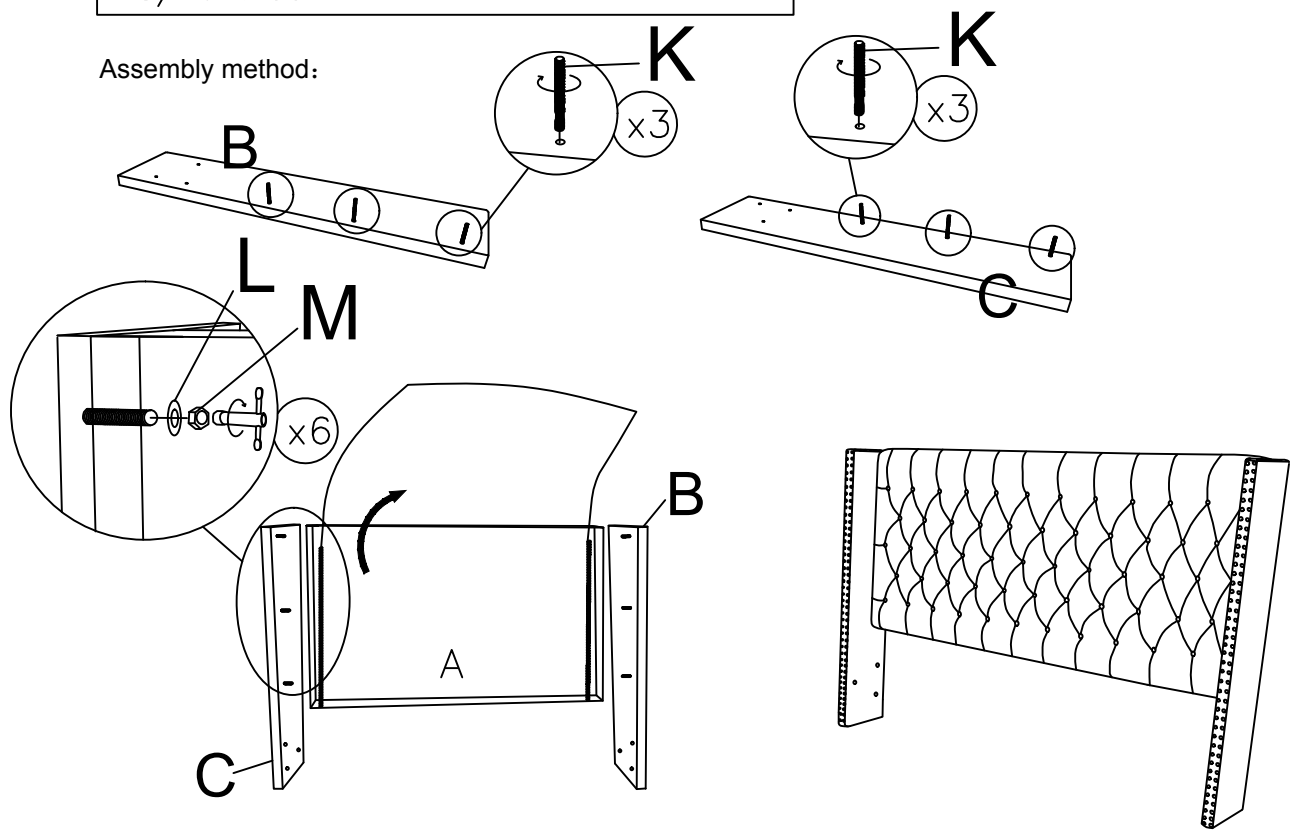
Part number of each part : G



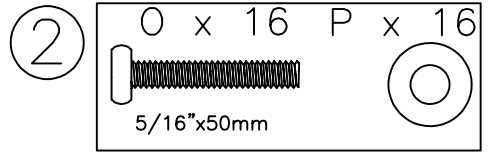
1

K x 6	L x 6	M x 6
		
5/16" x 100mm		

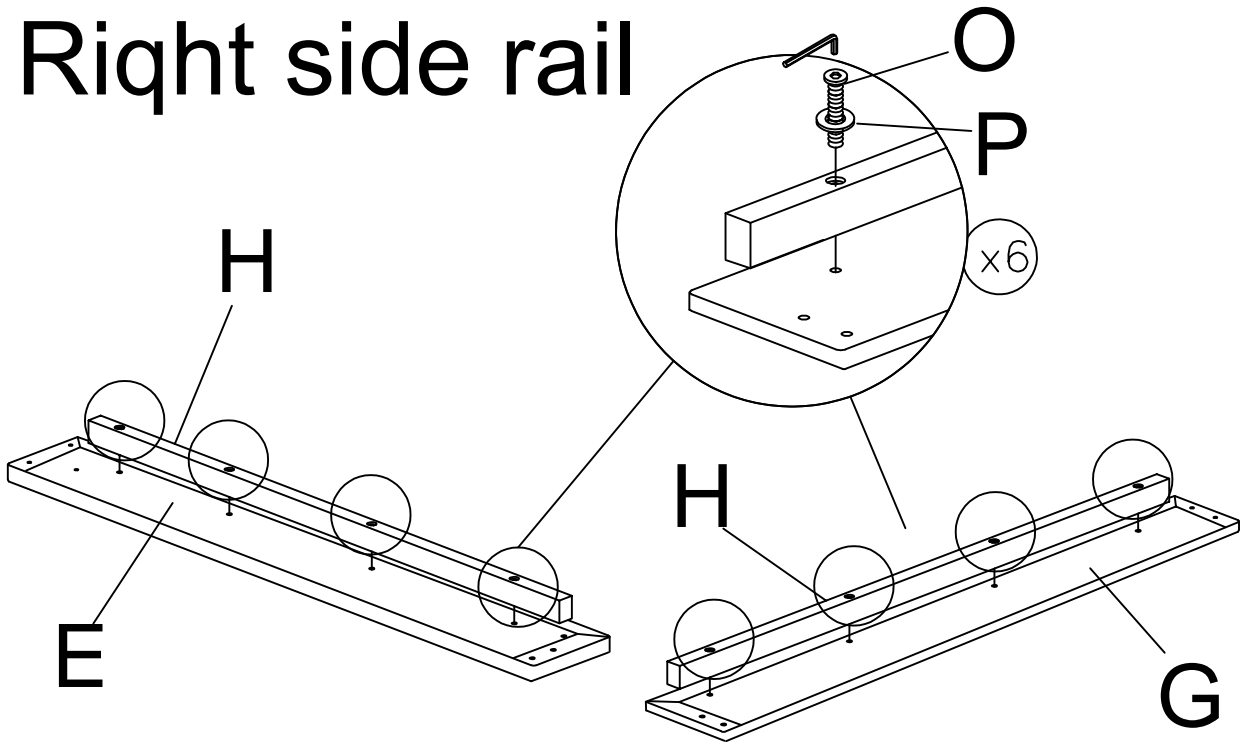
Assembly method:



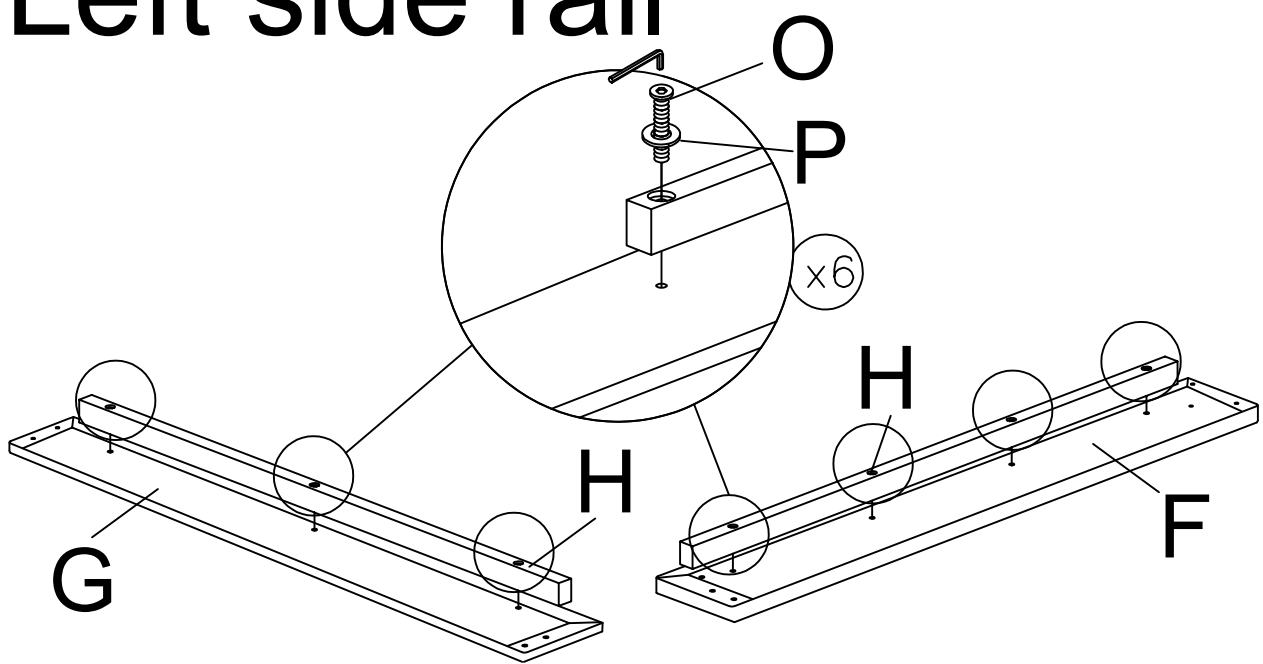
⚠ NOTE: UNIT SHOULD BE ASSEMBLED BY TWO OR MORE PEOPLE. DO NOT TIGHTEN ANY BOLTS UNTIL ALL BOLTS HAVE BEEN STARTED!



# Right side rail

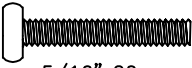

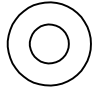


# Left side rail

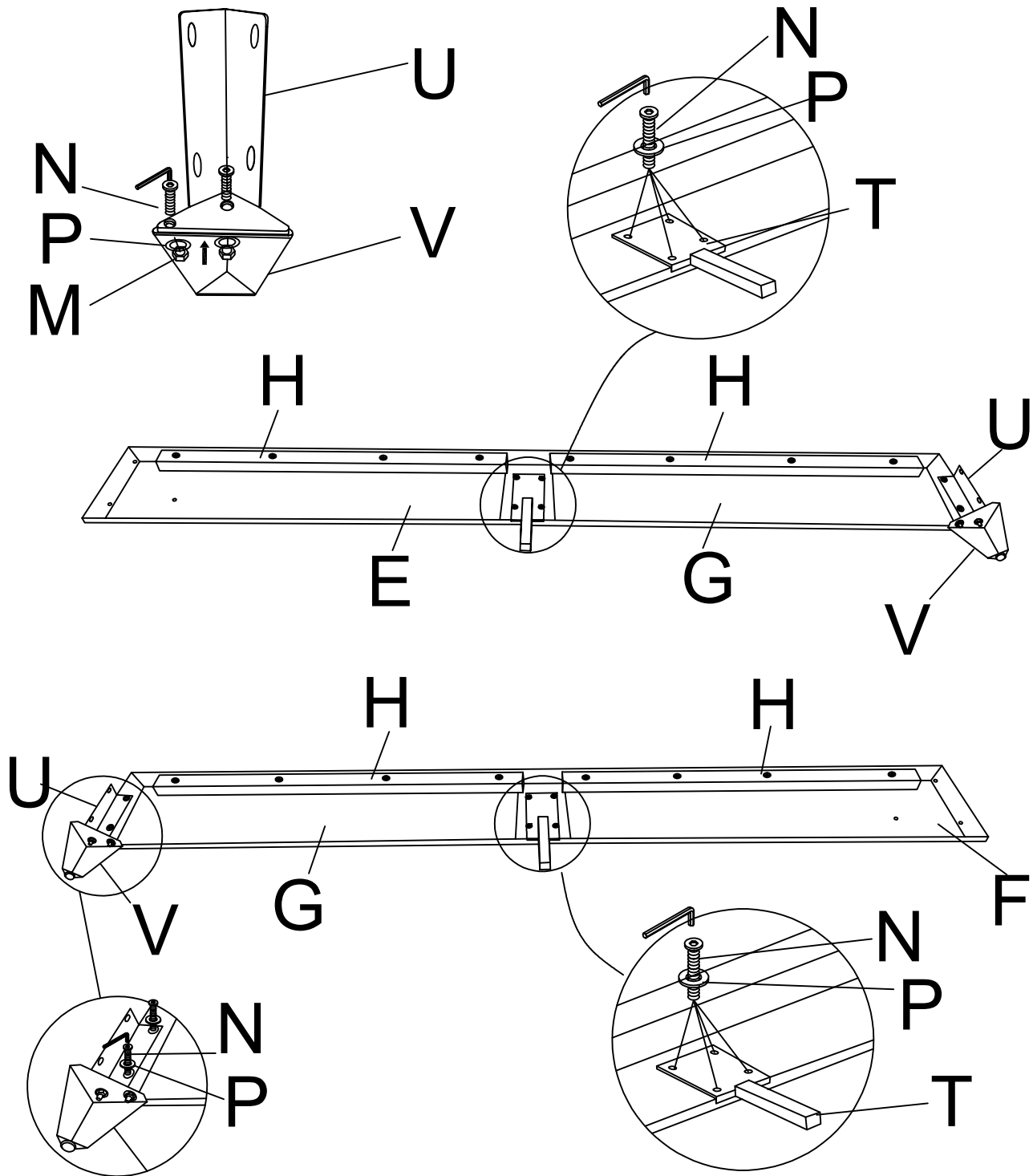


 NOTE: UNIT SHOULD BE ASSEMBLED BY TWO OR MORE PEOPLE.  
DO NOT TIGHTEN ANY BOLTS UNTIL ALL BOLTS HAVE BEEN STARTED!

3

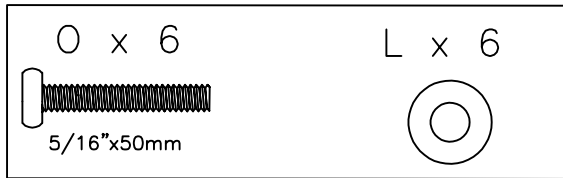
N x 16	M x 4
 5/16"x20mm	
P x 16	

# Attache Side Rail Legs

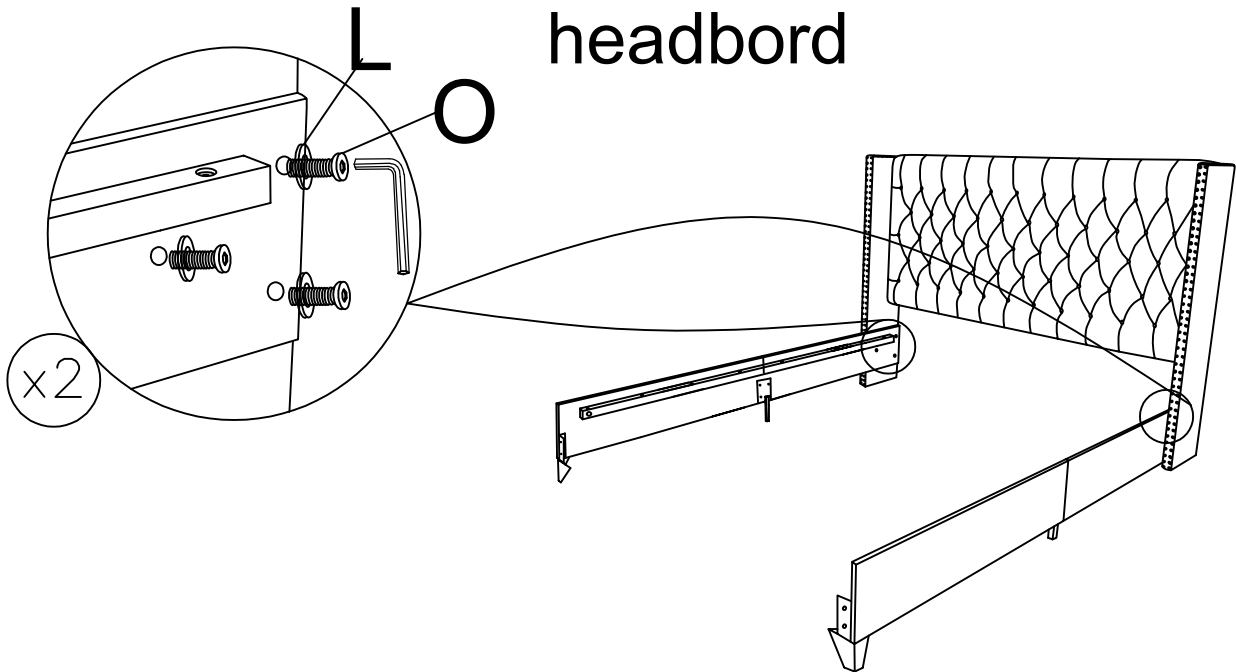


 NOTE: UNIT SHOULD BE ASSEMBLED BY TWO OR MORE PEOPLE.  
DO NOT TIGHTEN ANY BOLTS UNTIL ALL BOLTS HAVE BEEN STARTED!

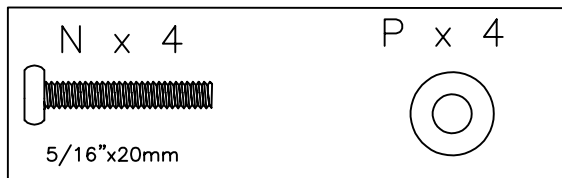
4



### Attache Side Rails to headbord

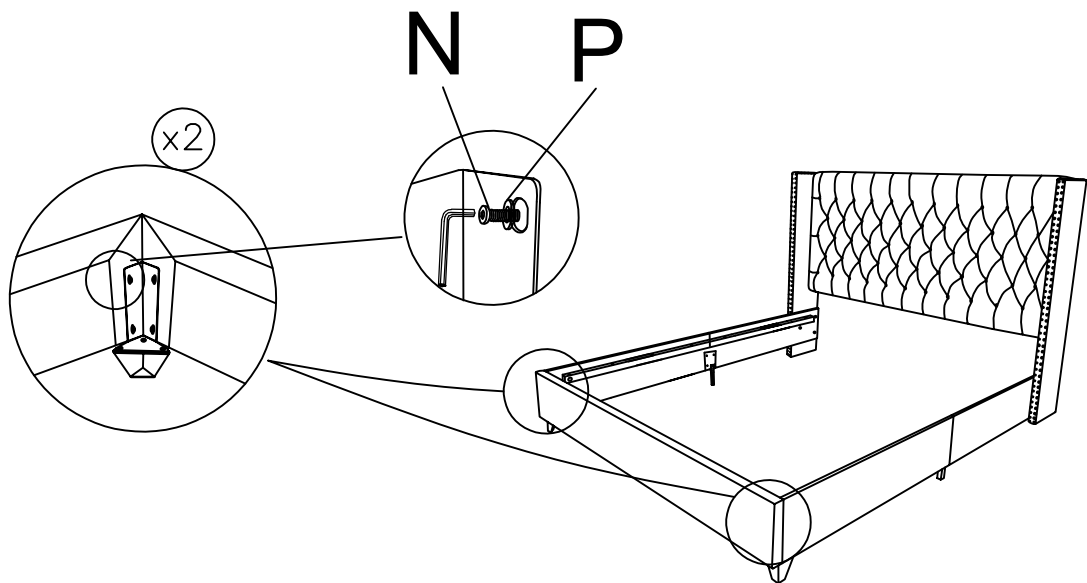


5

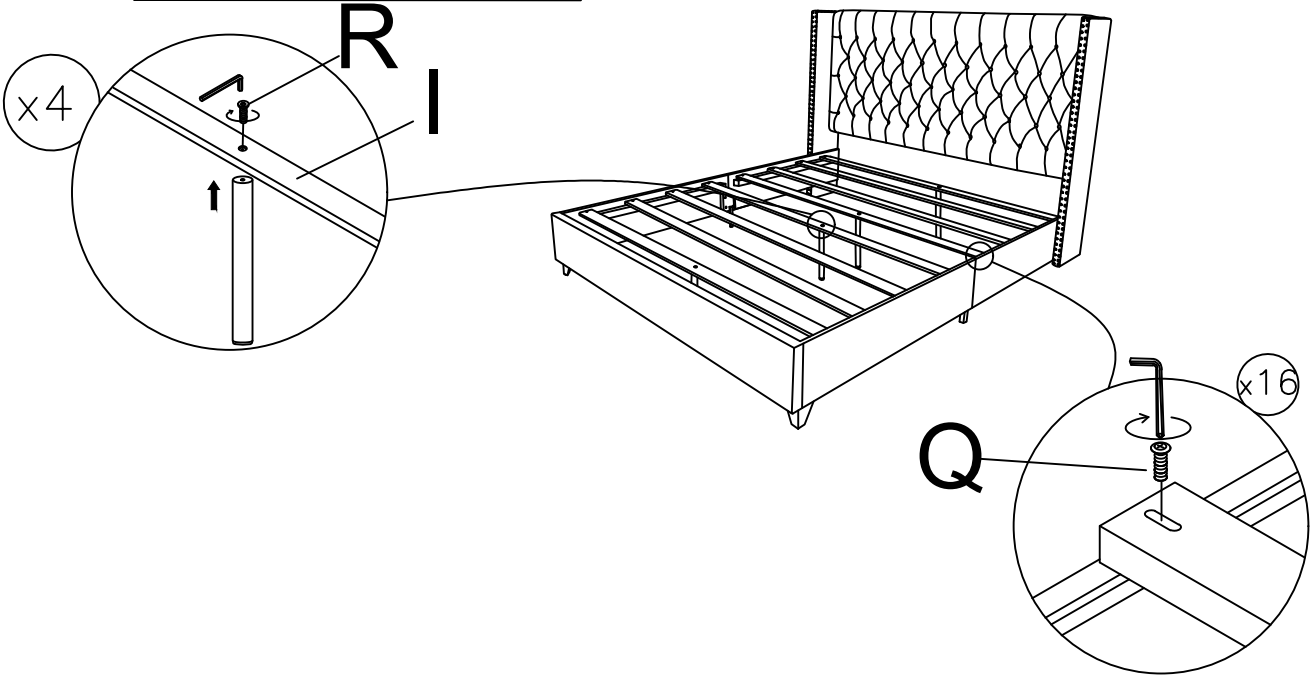
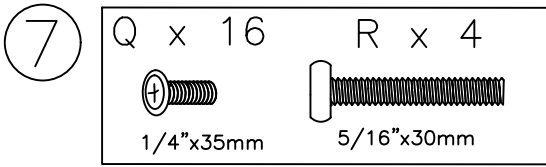


### Attach footboard to side rails

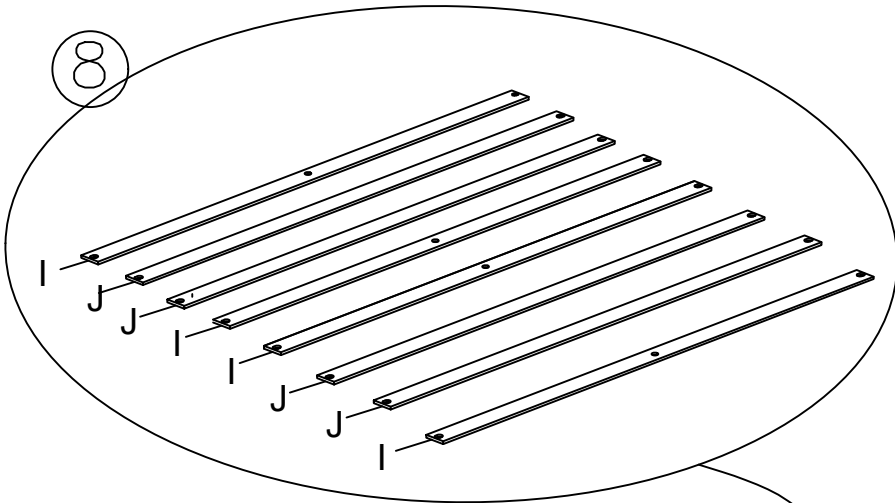
Foot Assembled



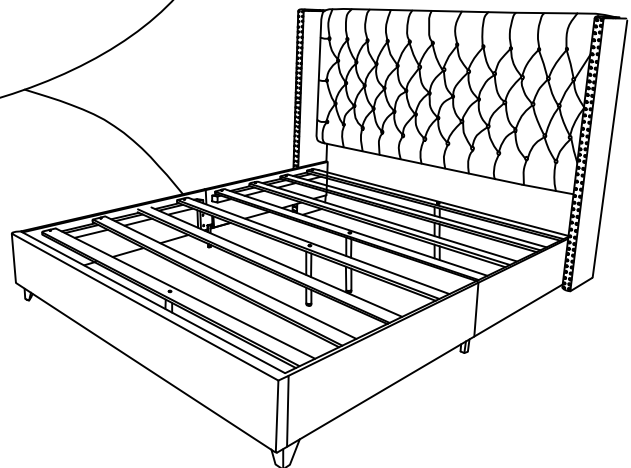
⚠ NOTE: UNIT SHOULD BE ASSEMBLED BY TWO OR MORE PEOPLE.  
DO NOT TIGHTEN ANY BOLTS UNTIL ALL BOLTS HAVE BEEN STARTED!



Turn Adjustable Level on the bottom of the Cross-Slat Support Leg leaving 6mm space between leveler and the floor.



The figure above shows the placement order of I and J.



⚠ NOTE: UNIT SHOULD BE ASSEMBLED BY TWO OR MORE PEOPLE.  
DO NOT TIGHTEN ANY BOLTS UNTIL ALL BOLTS HAVE BEEN STARTED!