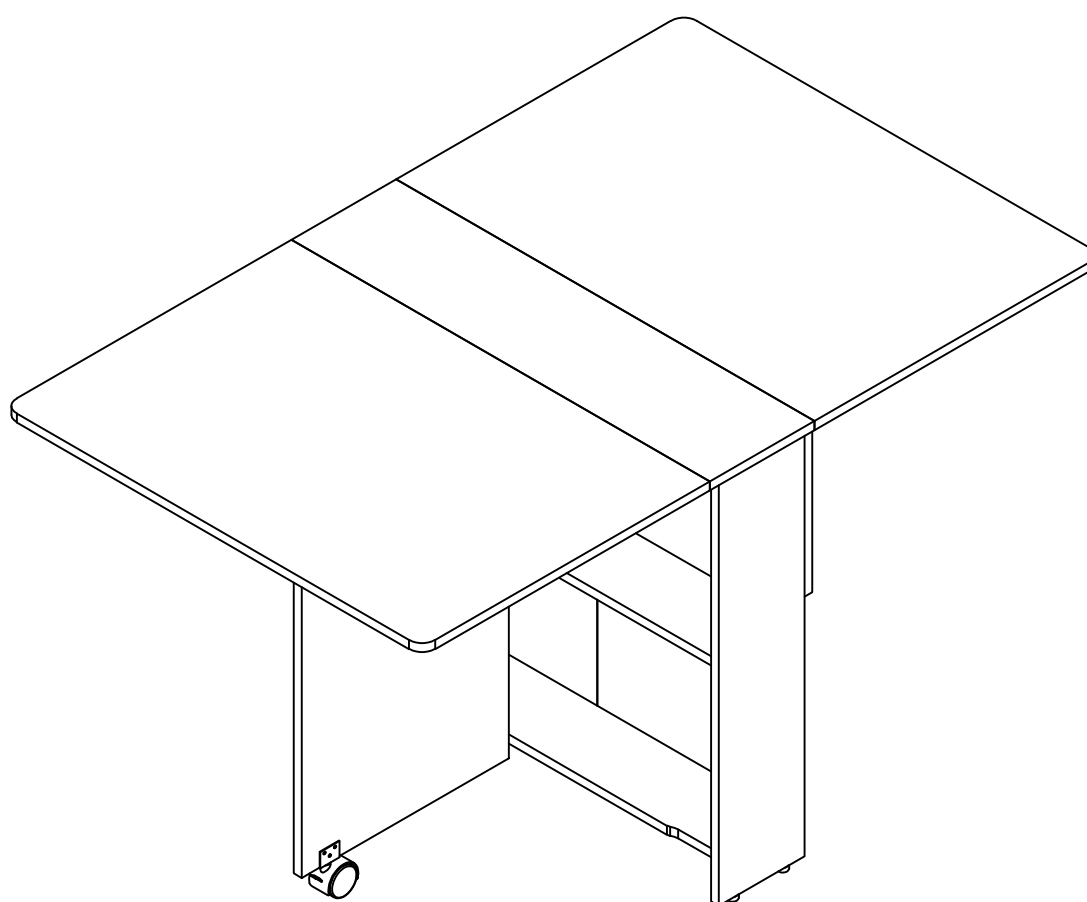
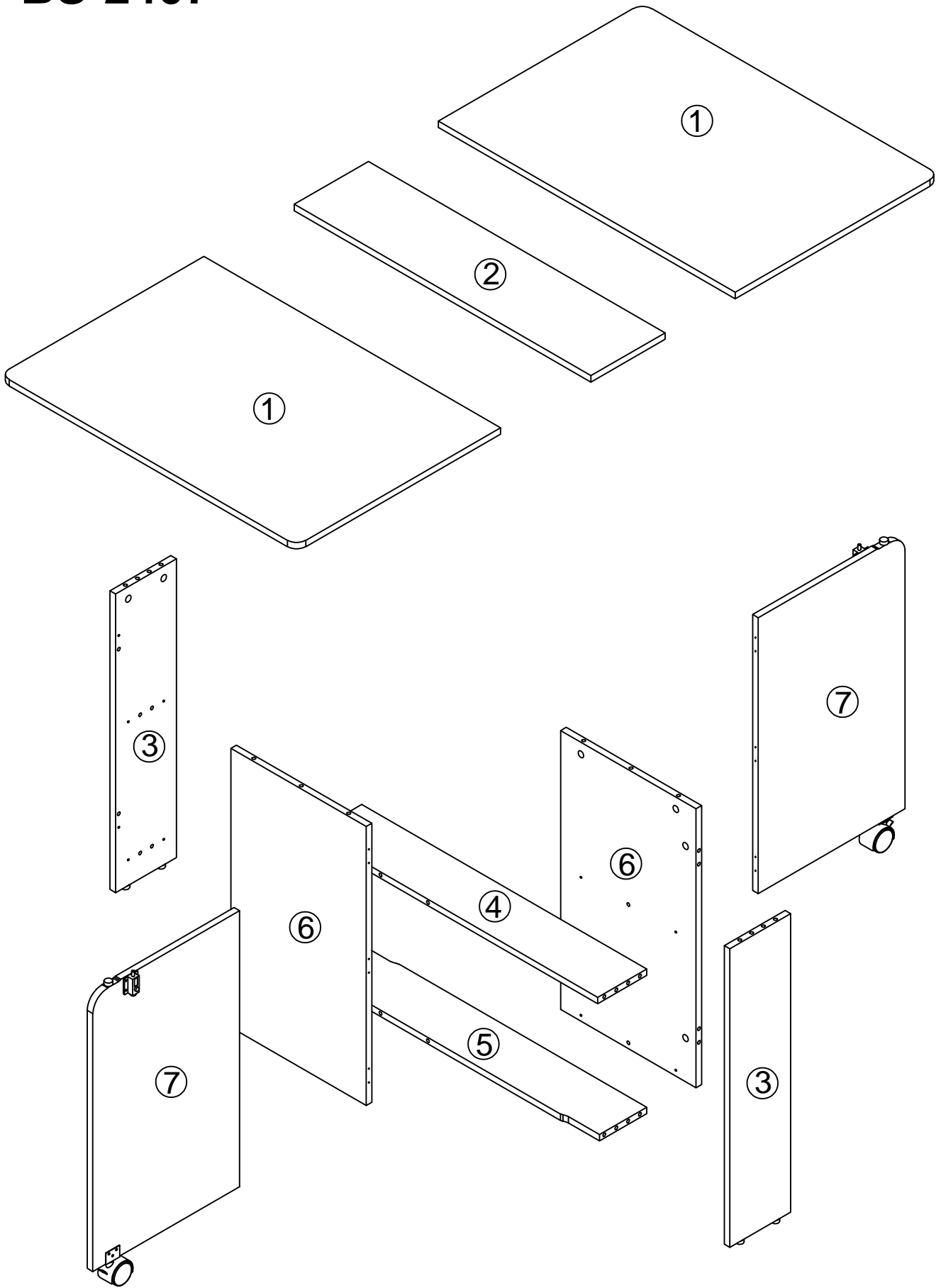


**Assembly Instructions**  
**ITEM# BS-2407**  
**Folding Table**

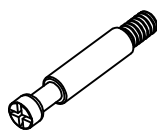


# BS-2407



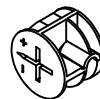
# HARDWARE

X29



(A)

X29



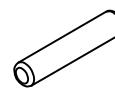
(B)

X29



(C)

X23



$\phi$  8x30

(D)

X65



$\phi$  3.5x14

(E)

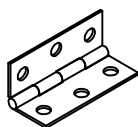
X39



$\phi$  3x20

(G)

X15



44\*18

(U)

X7



M6

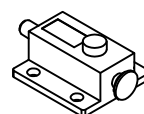
(V)

X2



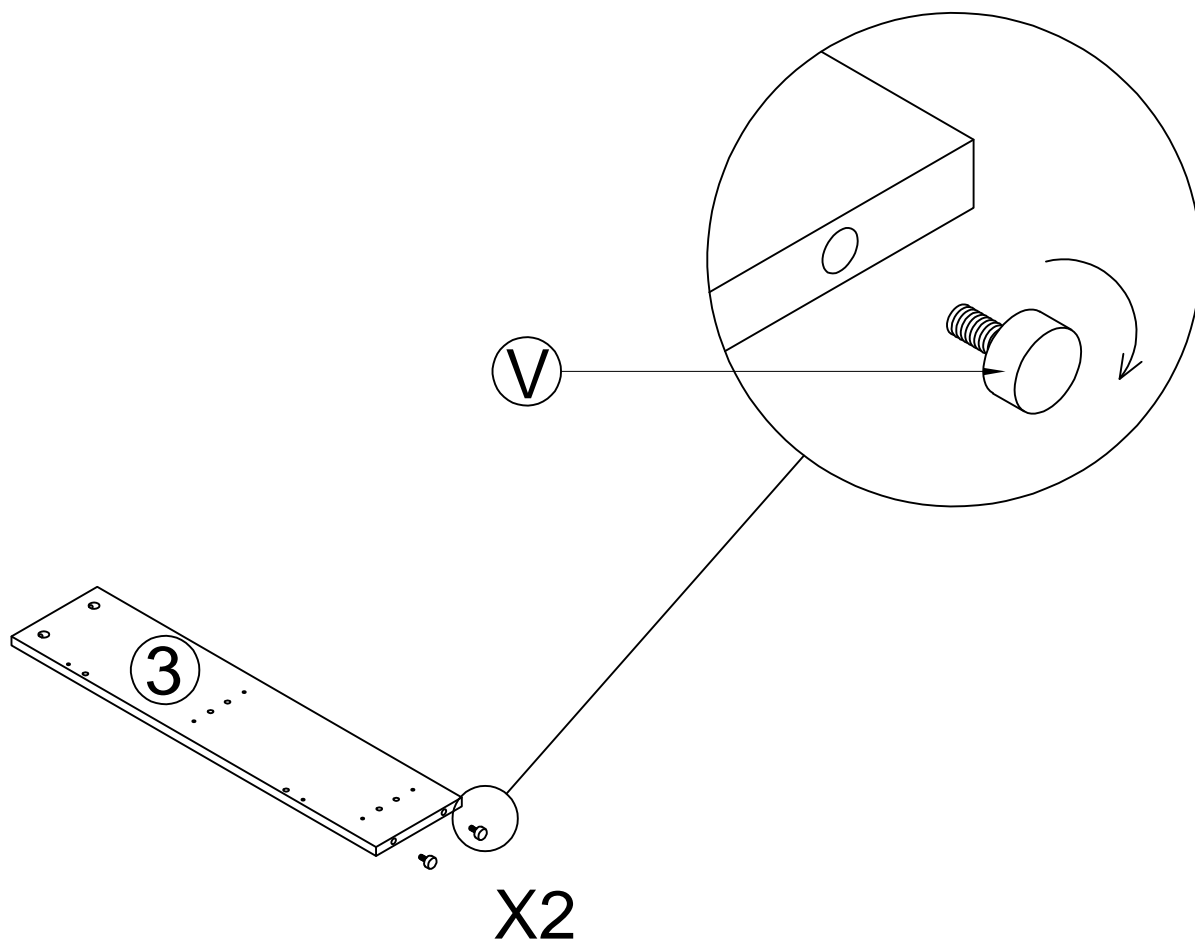
(W)

X2



(X)

1

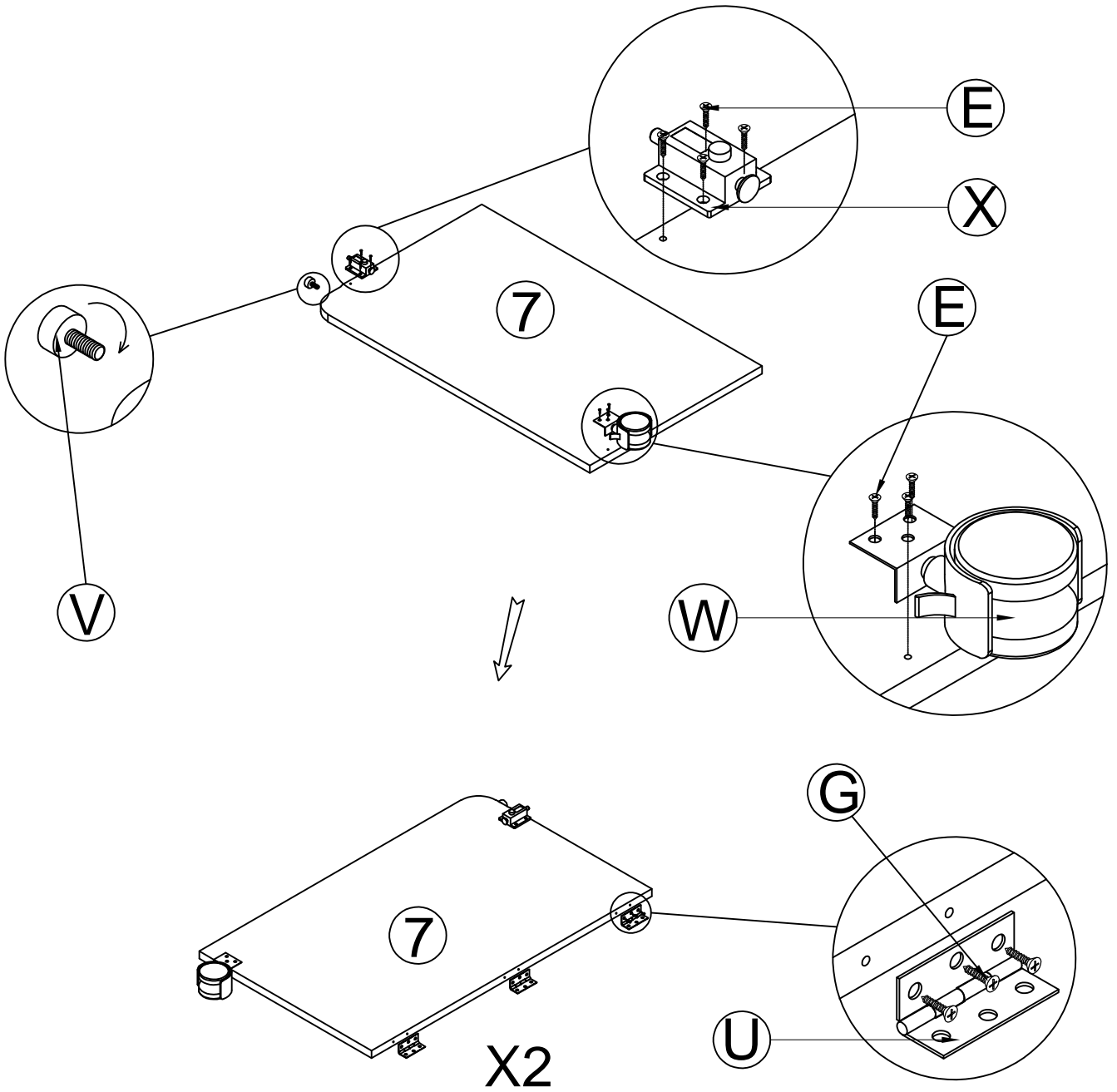


V

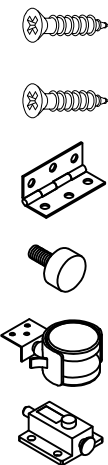


[x4]

2

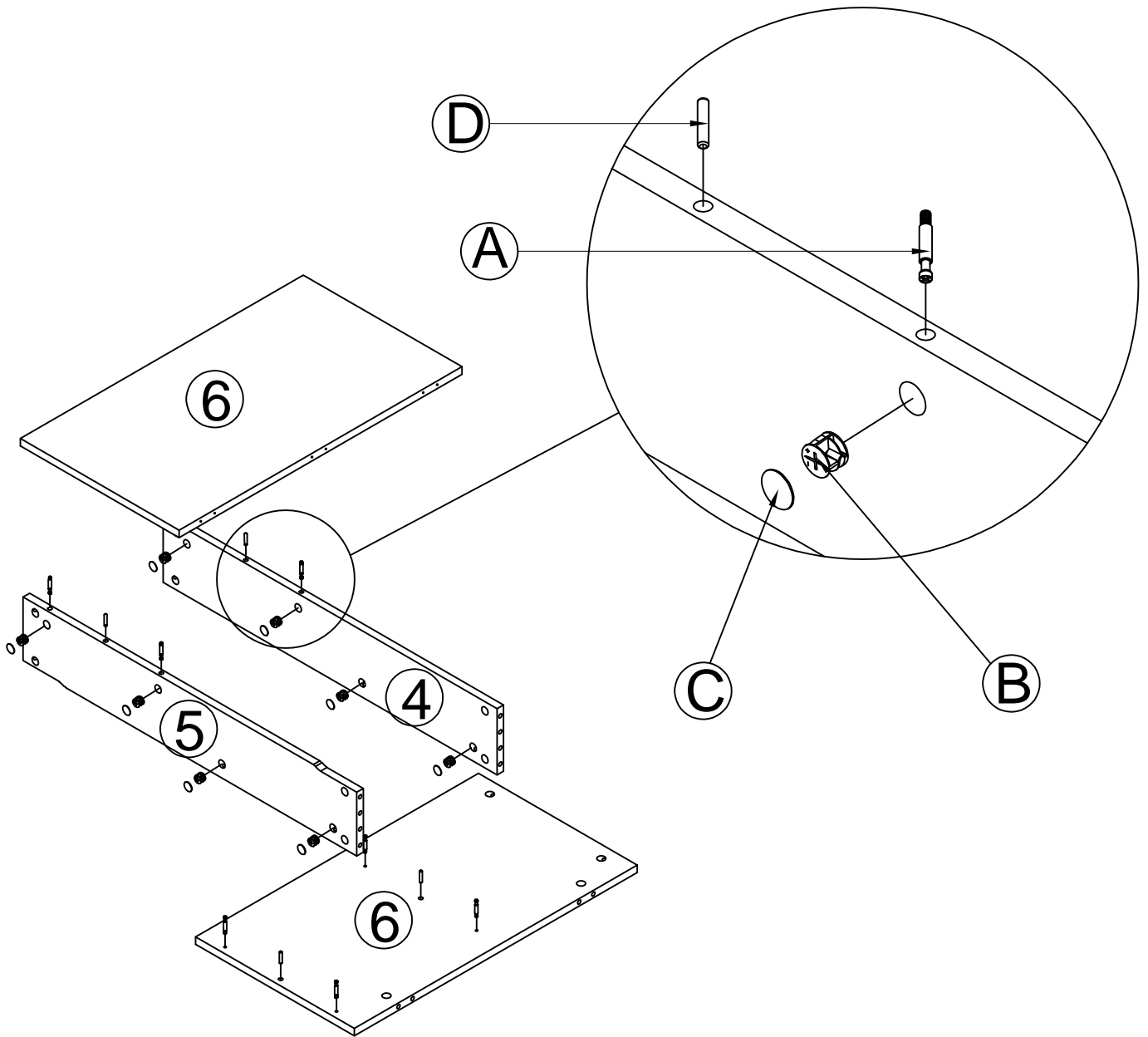


E  
G  
U  
V  
W  
X

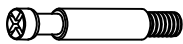


[x14]  
[x18]  
[x6]  
[x2]  
[x2]  
[x2]

3



A



[x8]

B



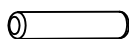
[x8]

C

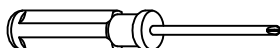


[x8]

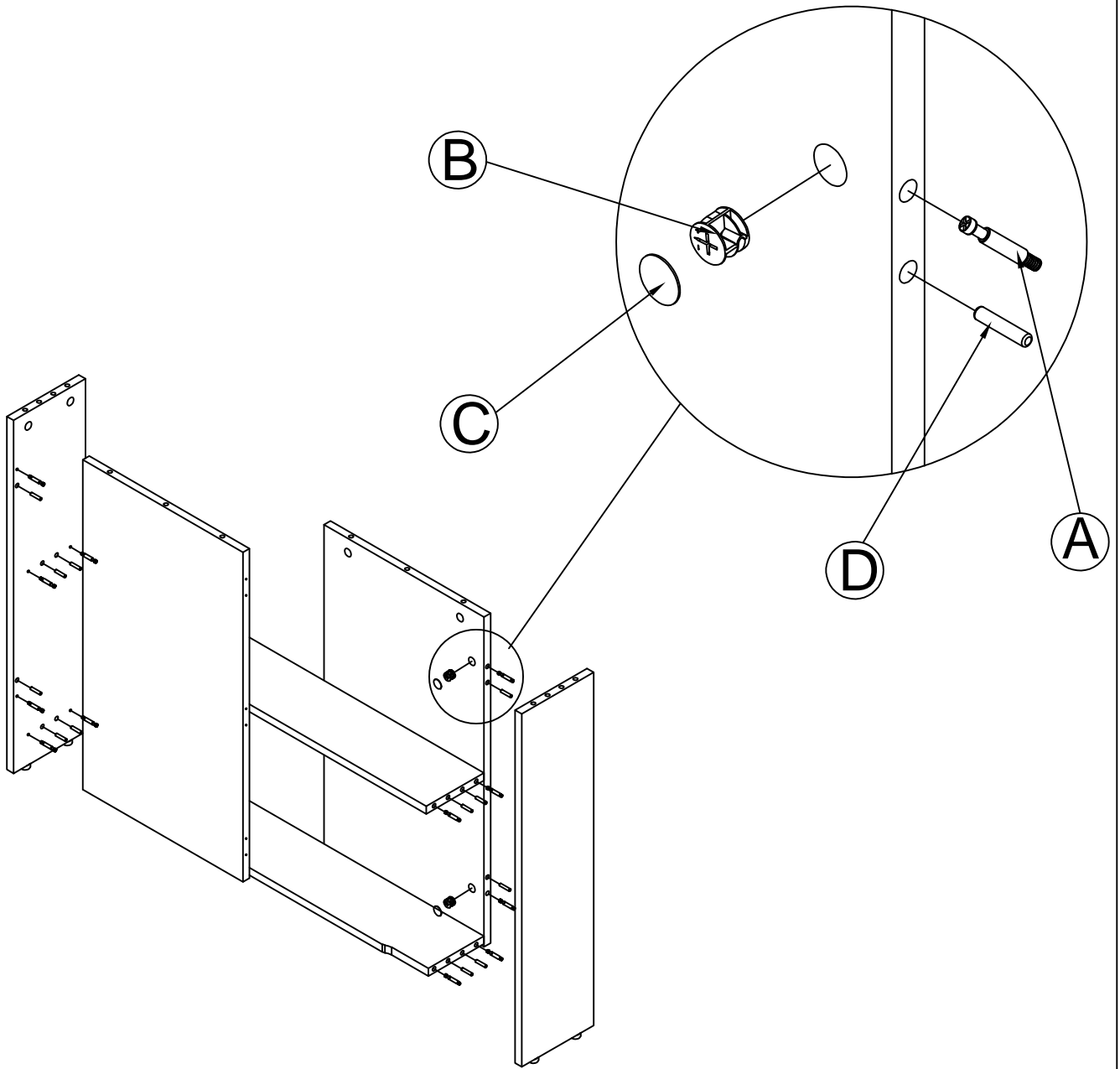
D



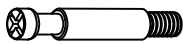
[x4]



4



A



[x12]

B



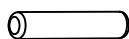
[x12]

C



[x12]

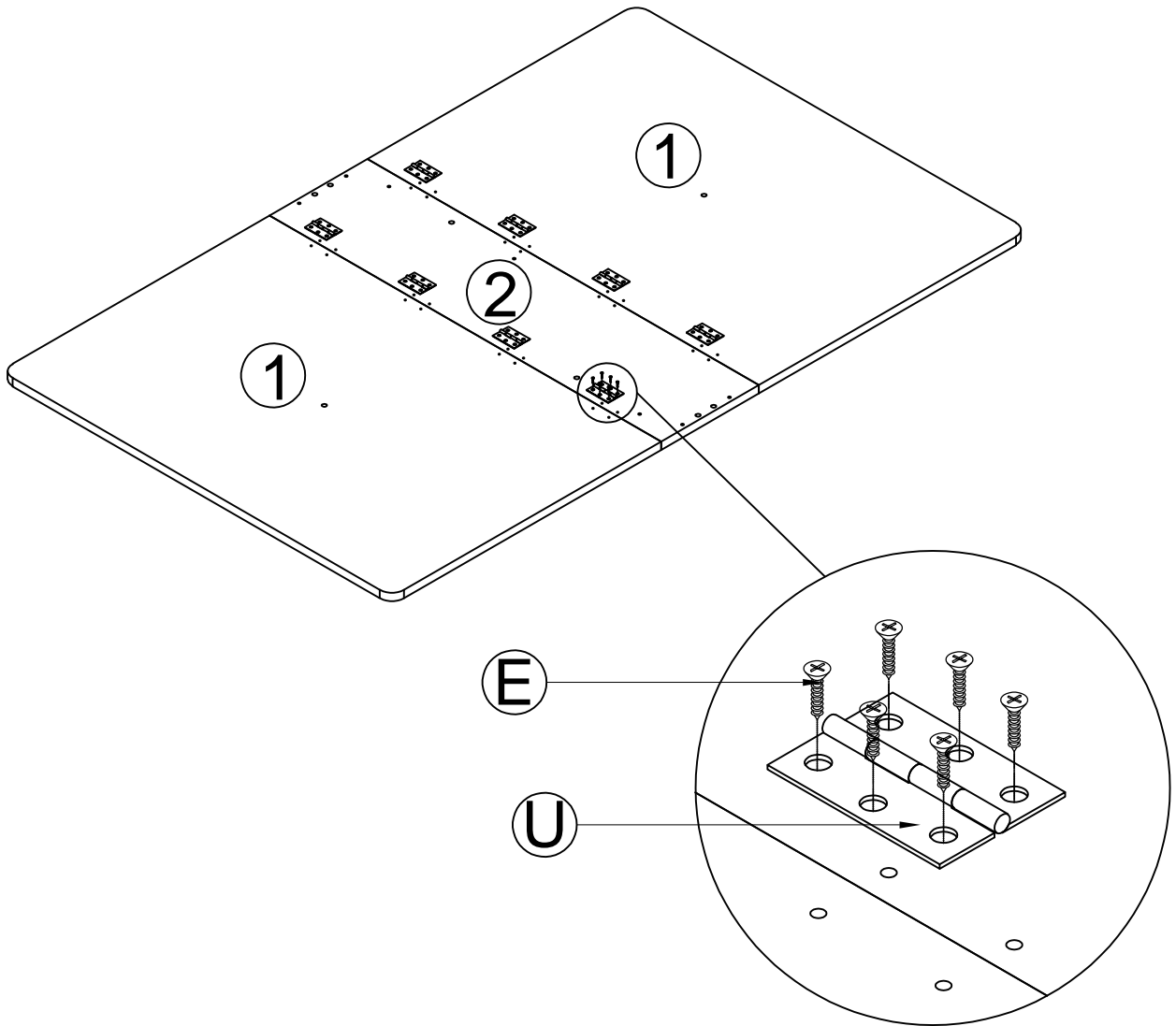
D



[x12]



5



E



[x48]

U

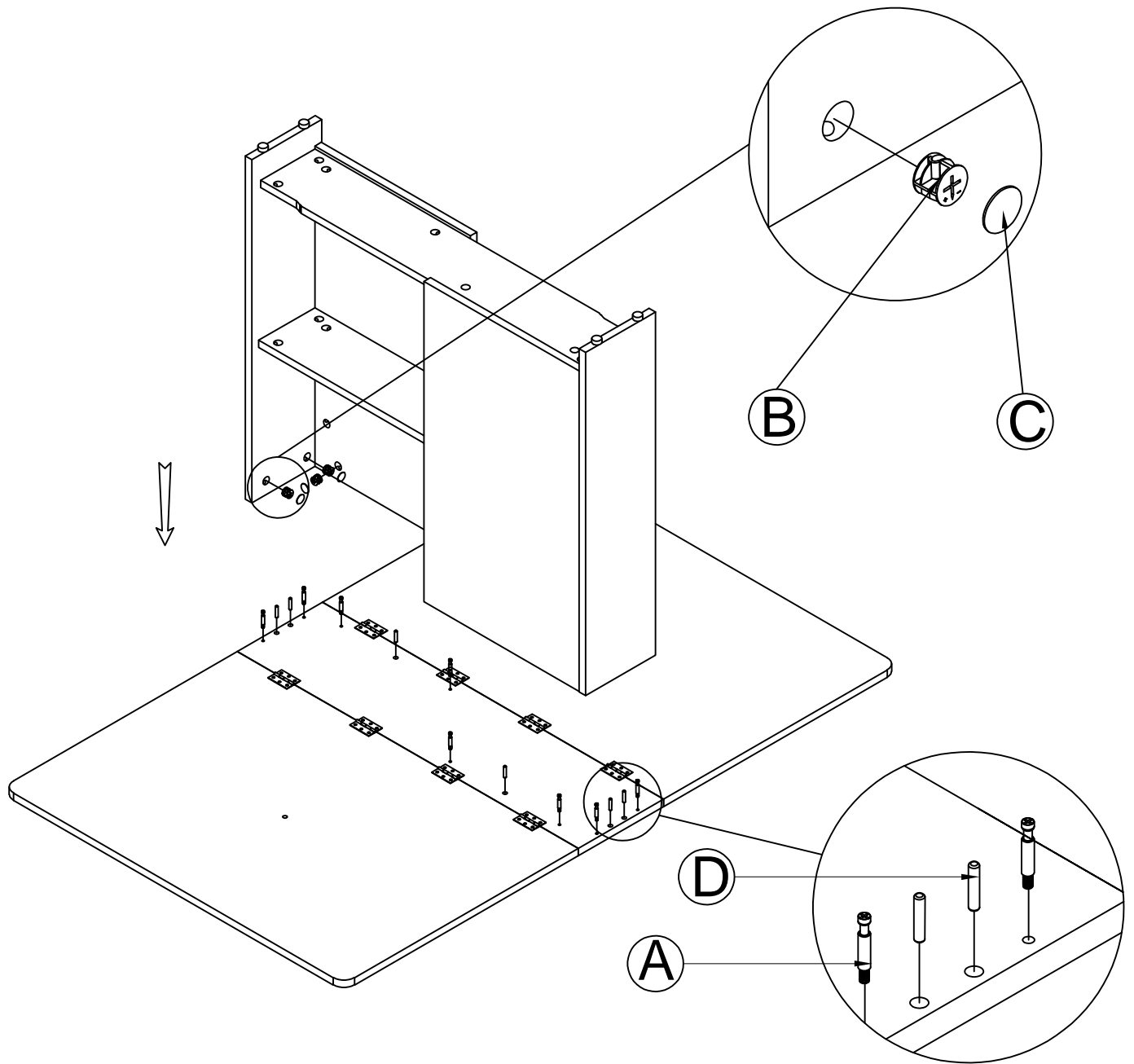


[x8]

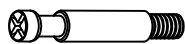




6



A



[x8]

B



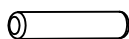
[x8]

C



[x8]

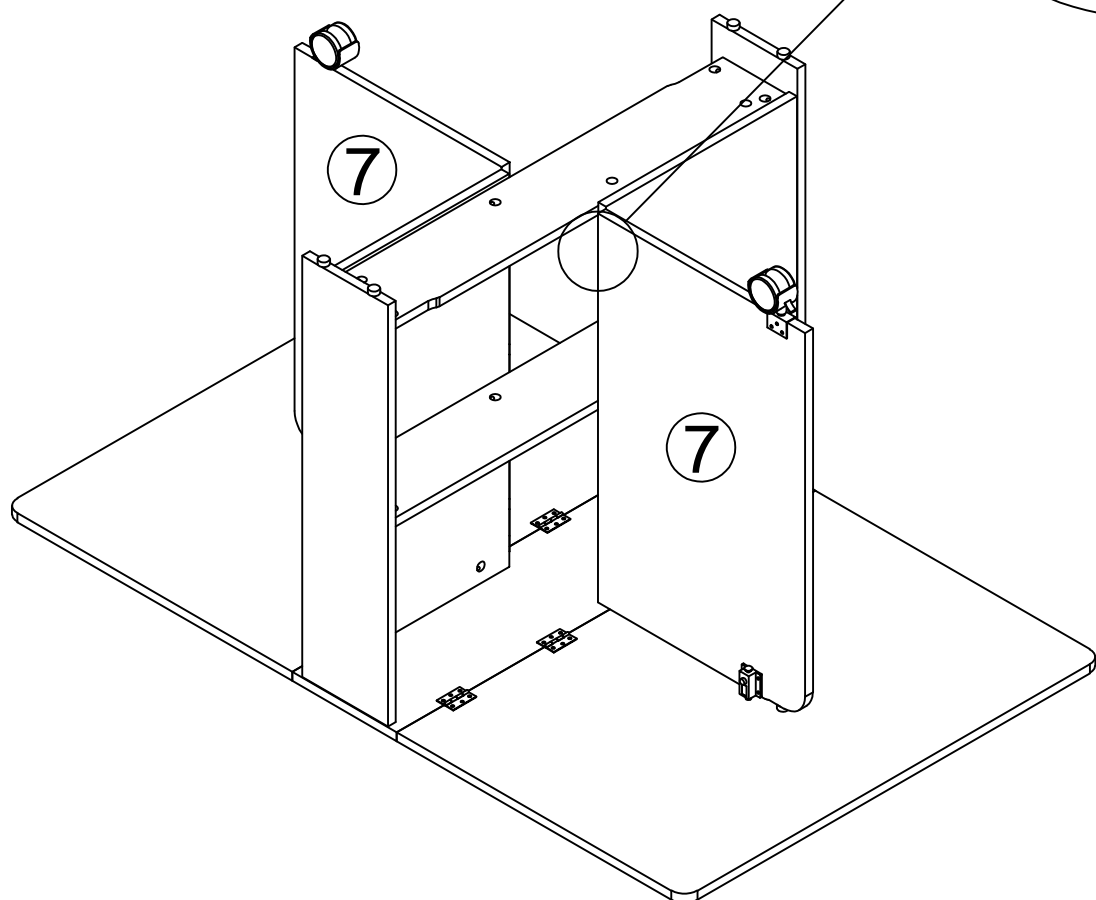
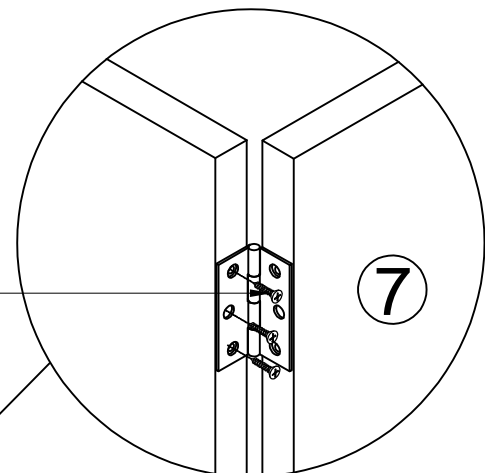
D



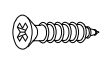
[x6]



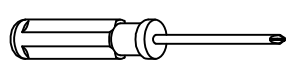
7



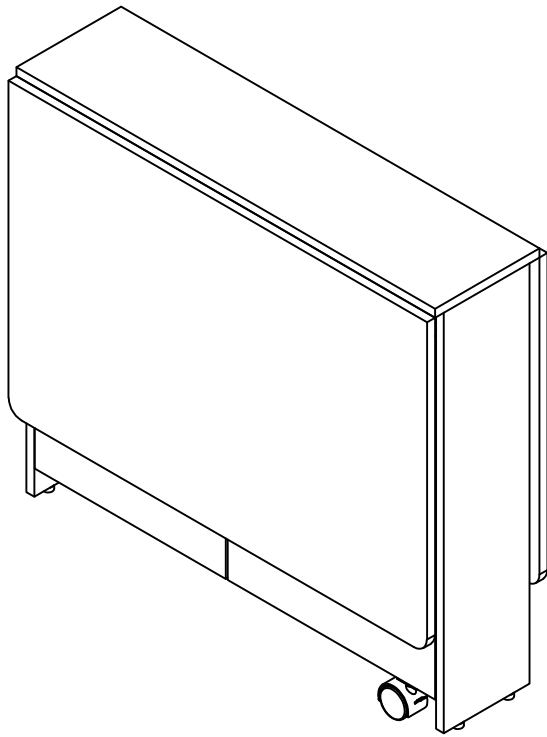
G



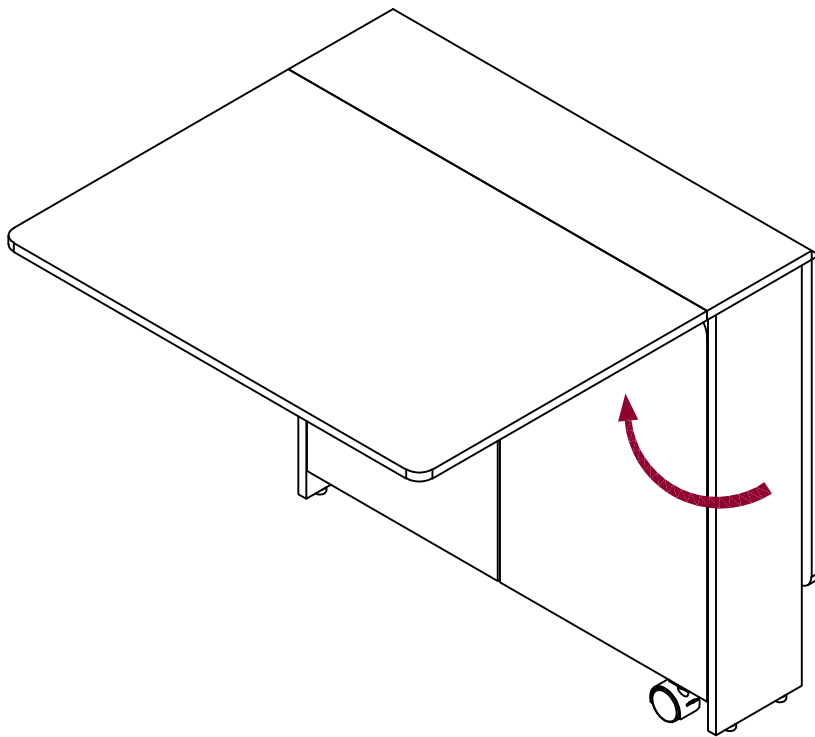
[x18]



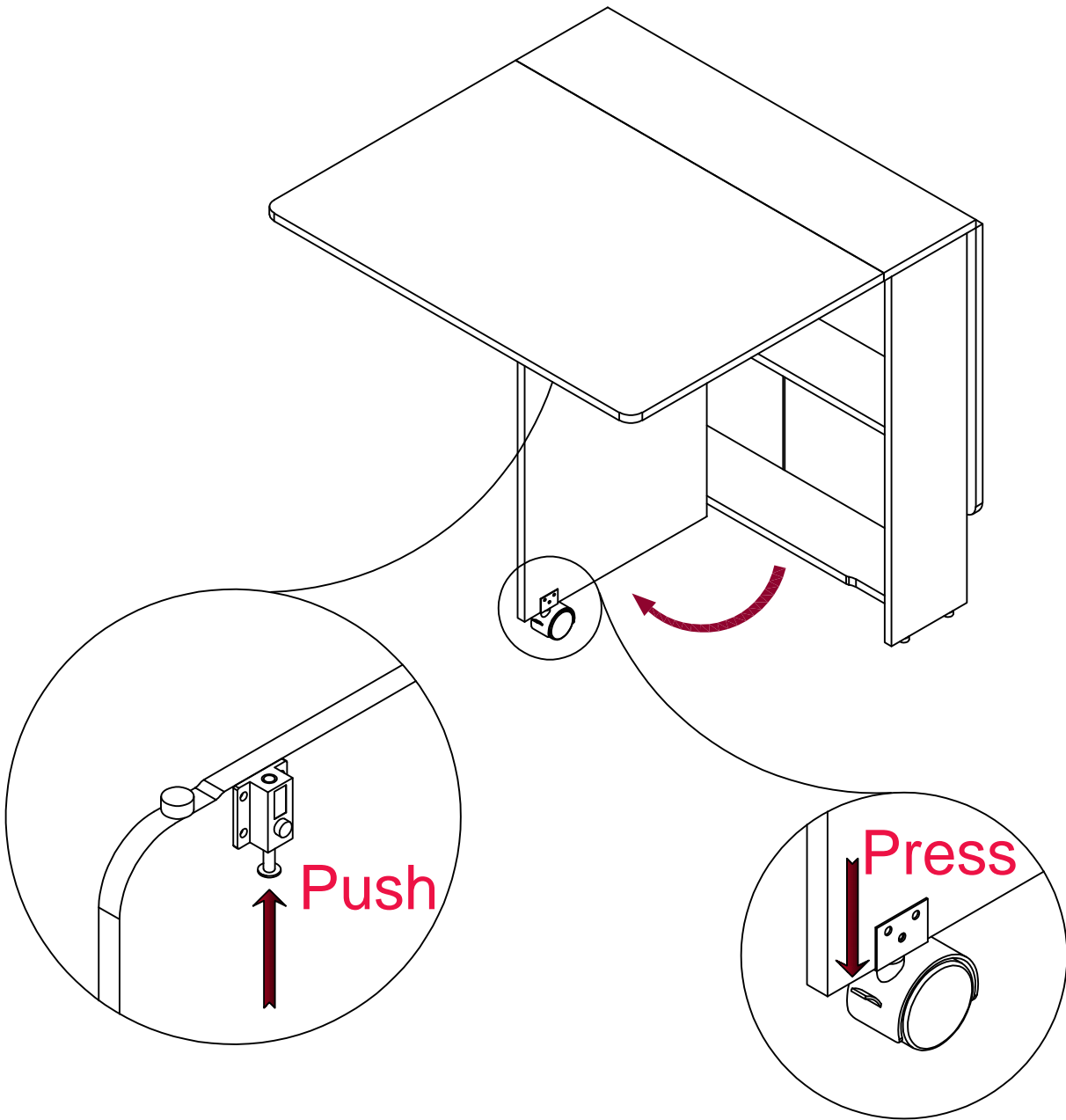
8



9



10



11

