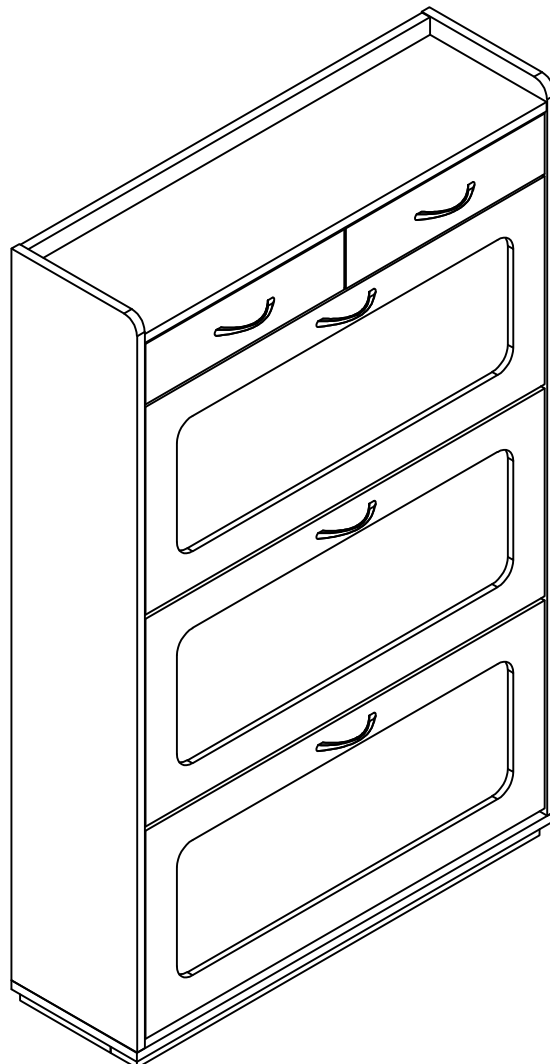
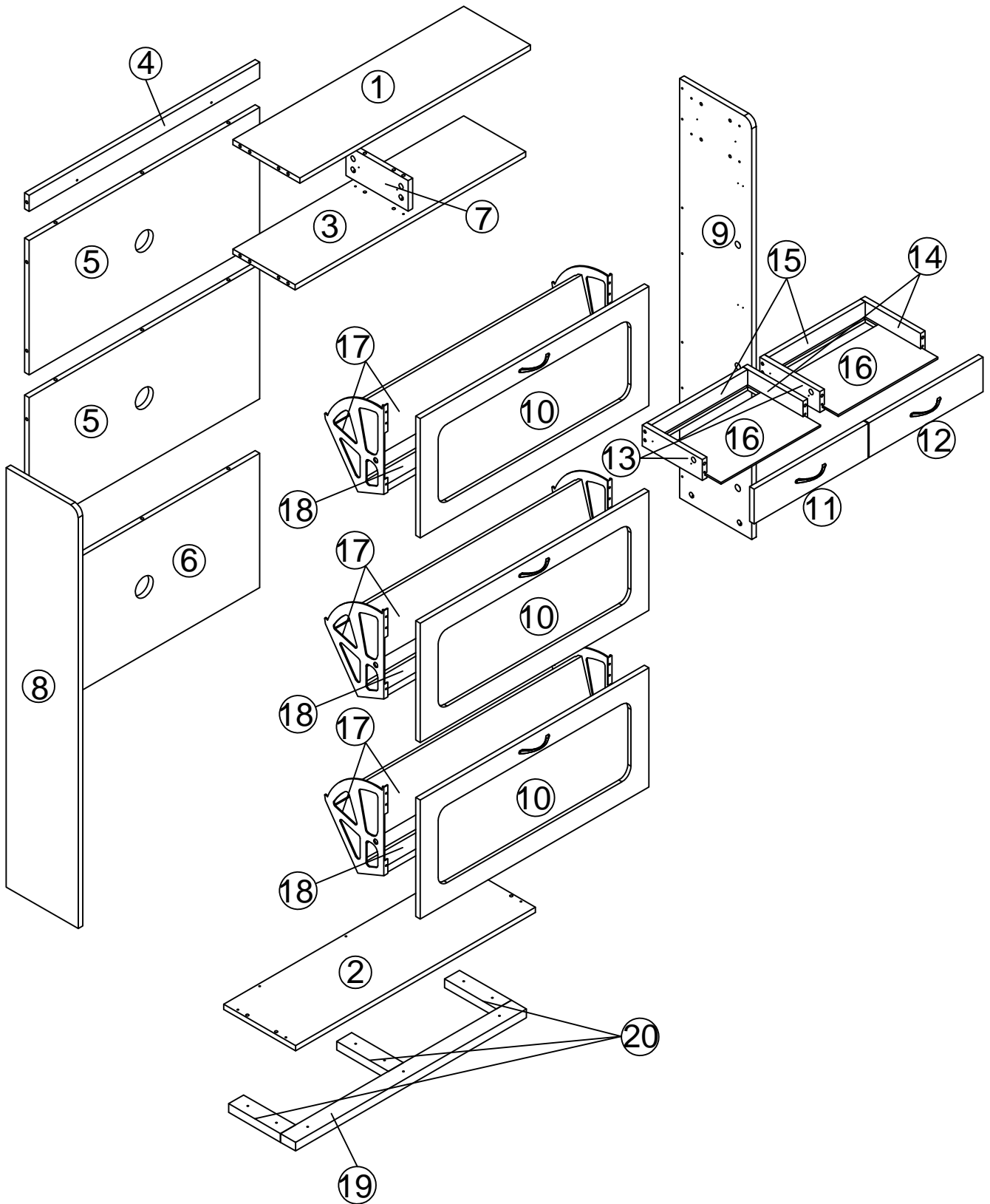


Assembly Instructions
ITEM# BS-2408
Shoe cabinet

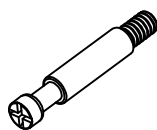


BS-2408



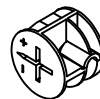
HARDWARE-1

X38



(A)

X38



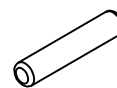
(B)

X38



(C)

X21



ϕ 8x30

(D)

X52



ϕ 3.5x14

(E)

X57



ϕ 3.5x30

(F)

X11



M4x20

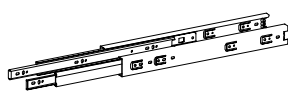
(H)

X5



(N)

X2



8"

(P)

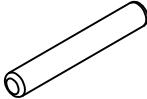
X2



(Q)

HARDWARE-2

X10



ϕ 8x40

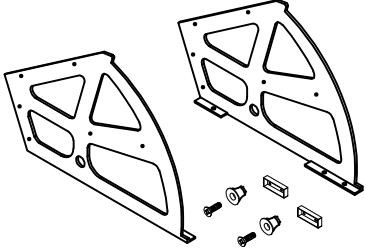
(R)

X3



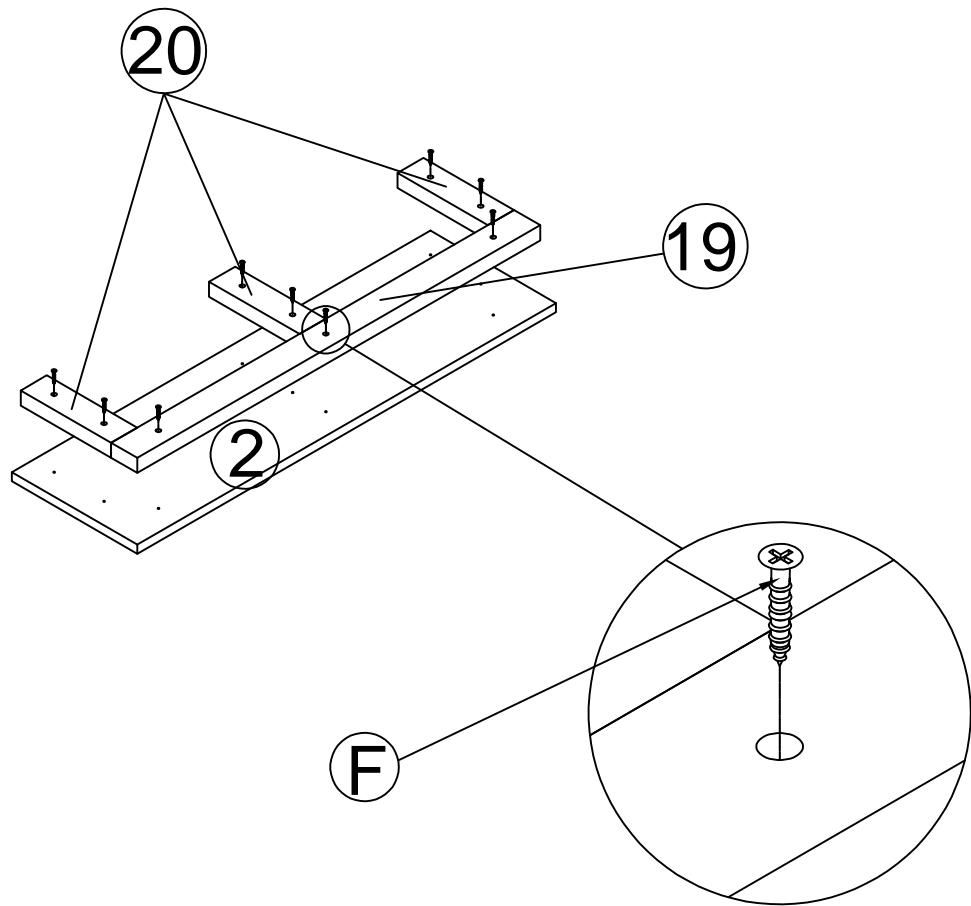
(S)

X3

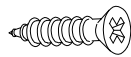


(T)

1



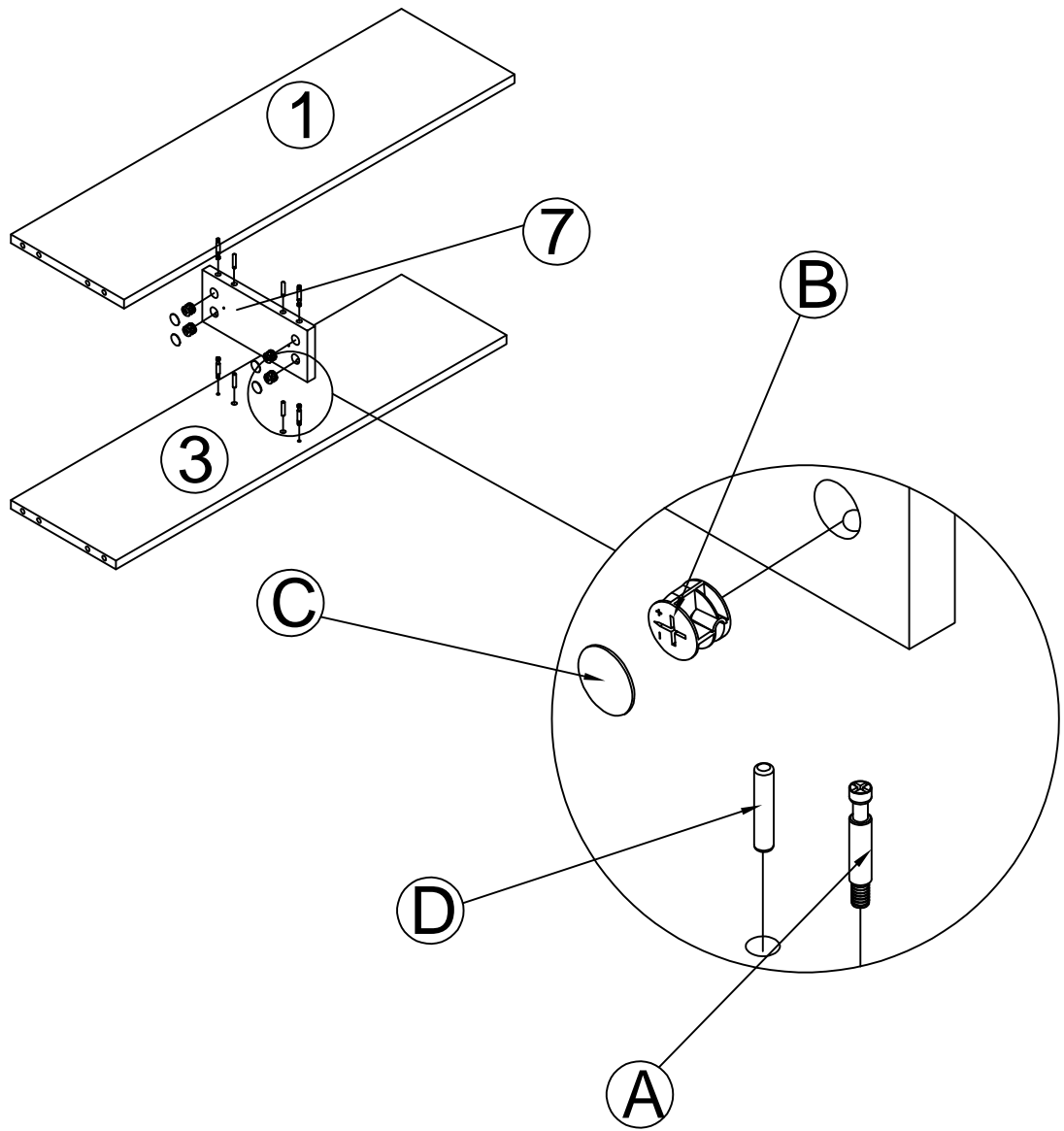
F



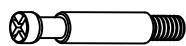
[x9]



2



(A)



[x4]

(B)



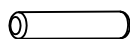
[x4]

(C)



[x4]

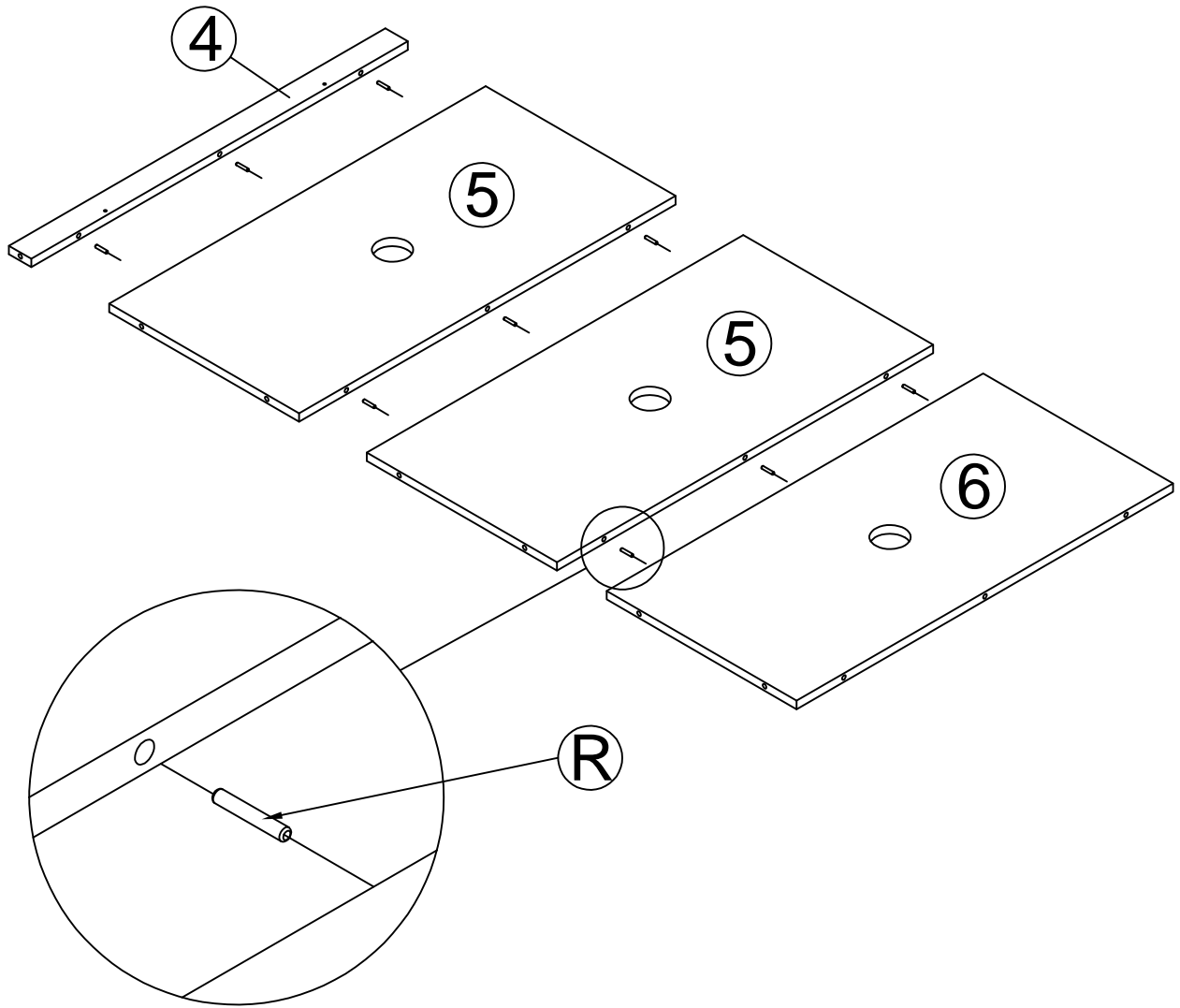
(D)



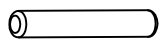
[x4]



3

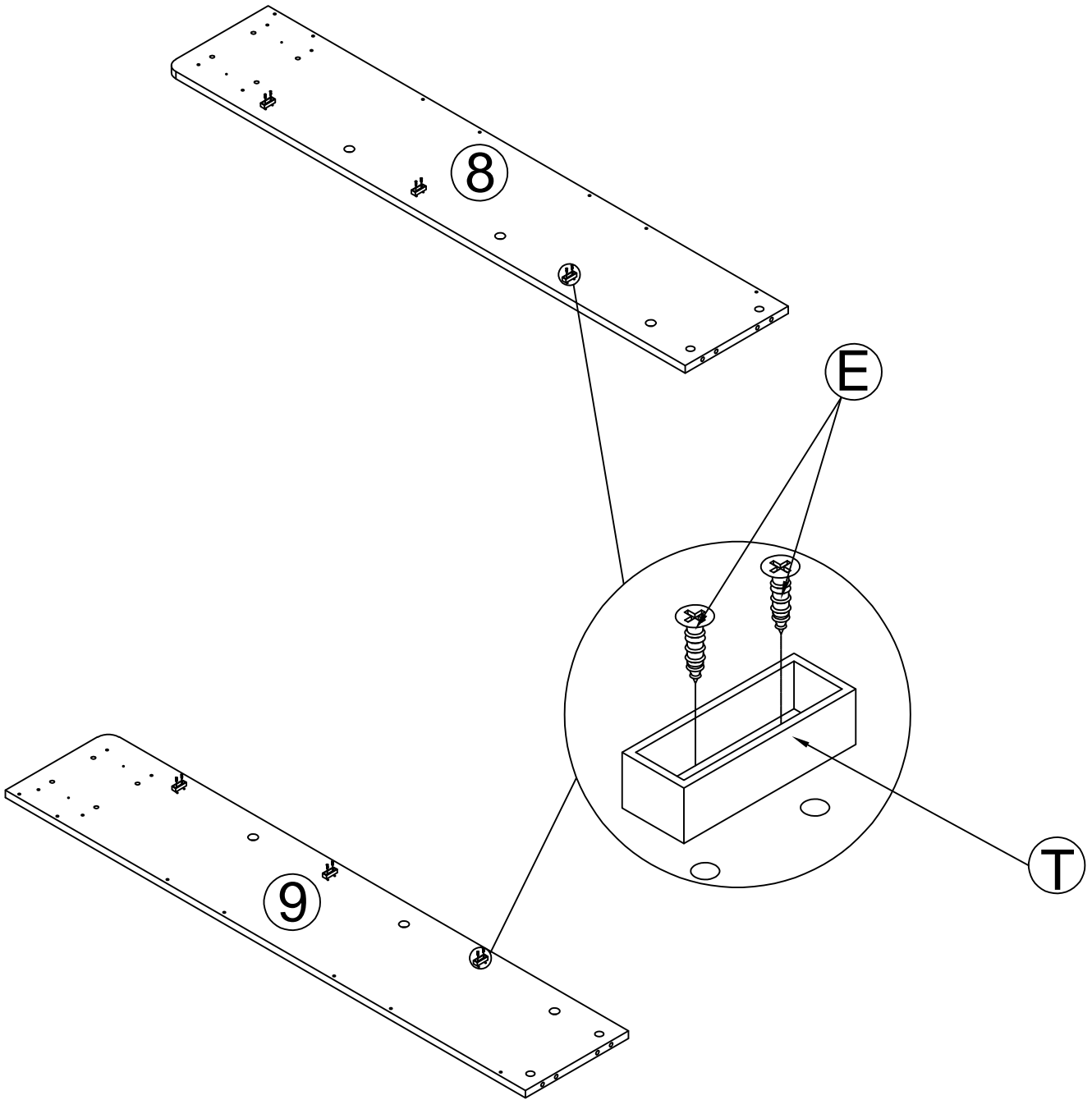


(R)



[x9]

4

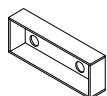


E



[x12]

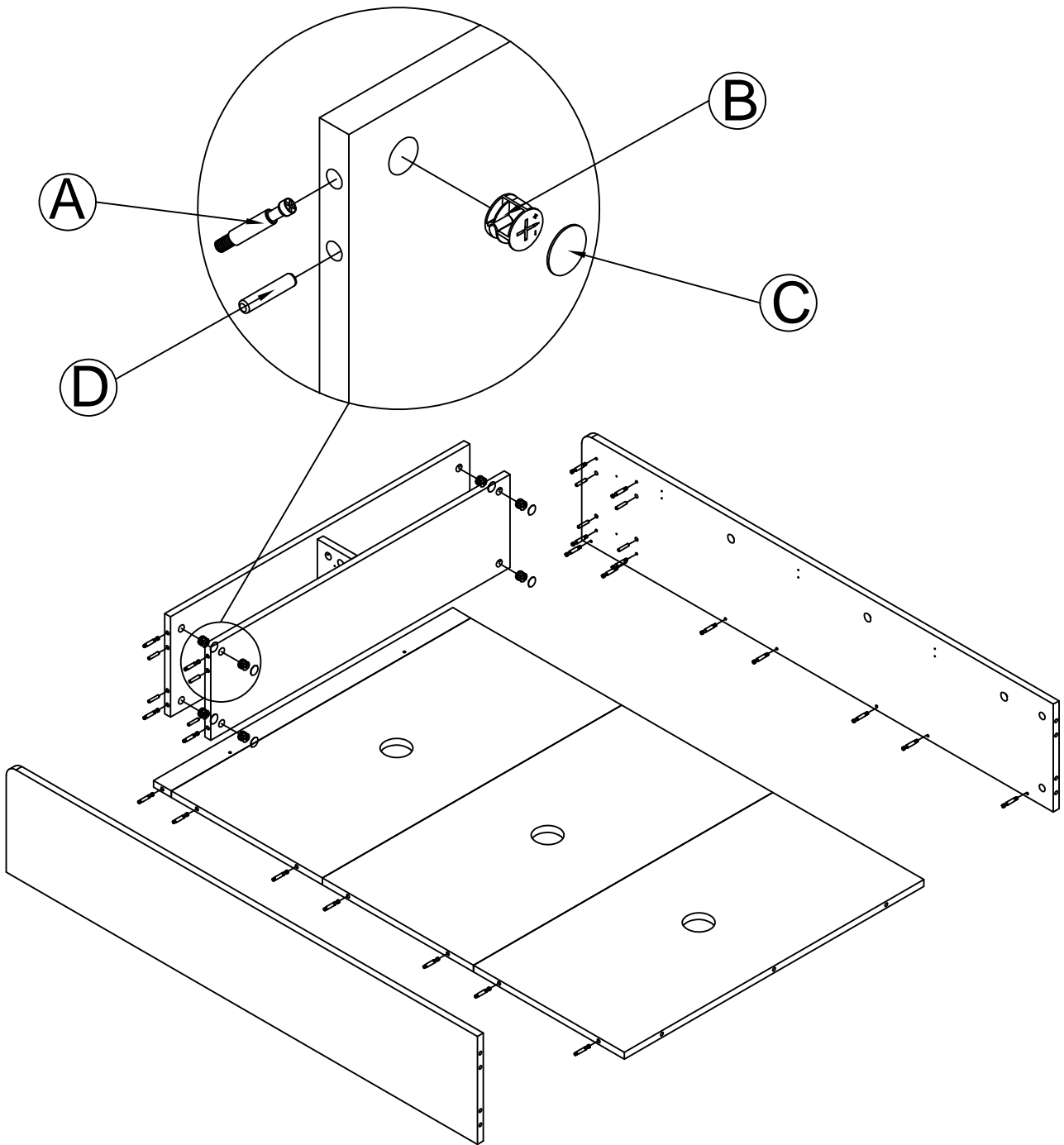
T



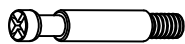
[x6]



5



(A)



[x22]

(B)



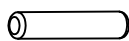
[x22]

(C)



[x22]

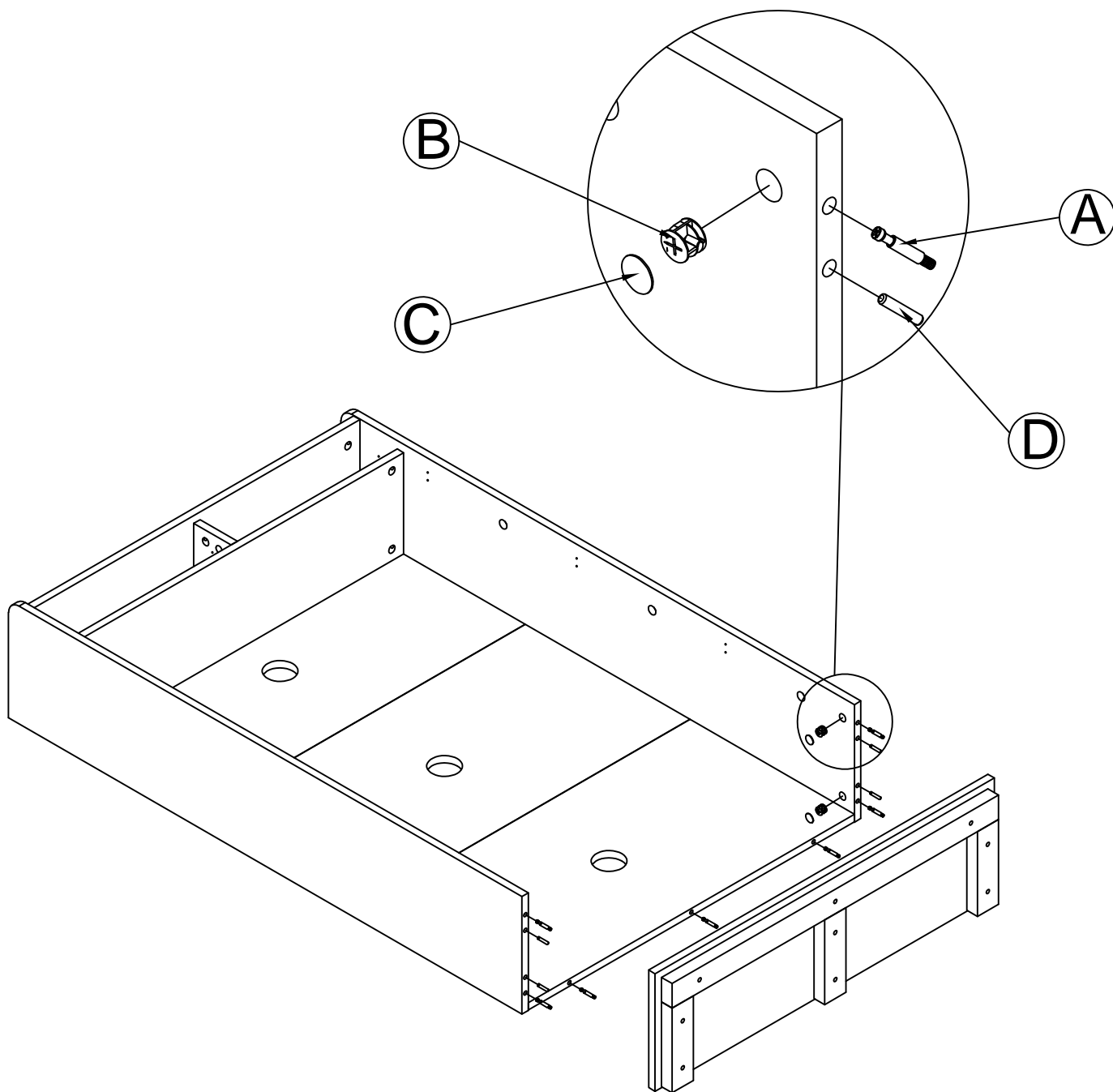
(D)



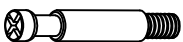
[x8]



6



A



[x7]

B



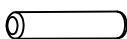
[x7]

C



[x7]

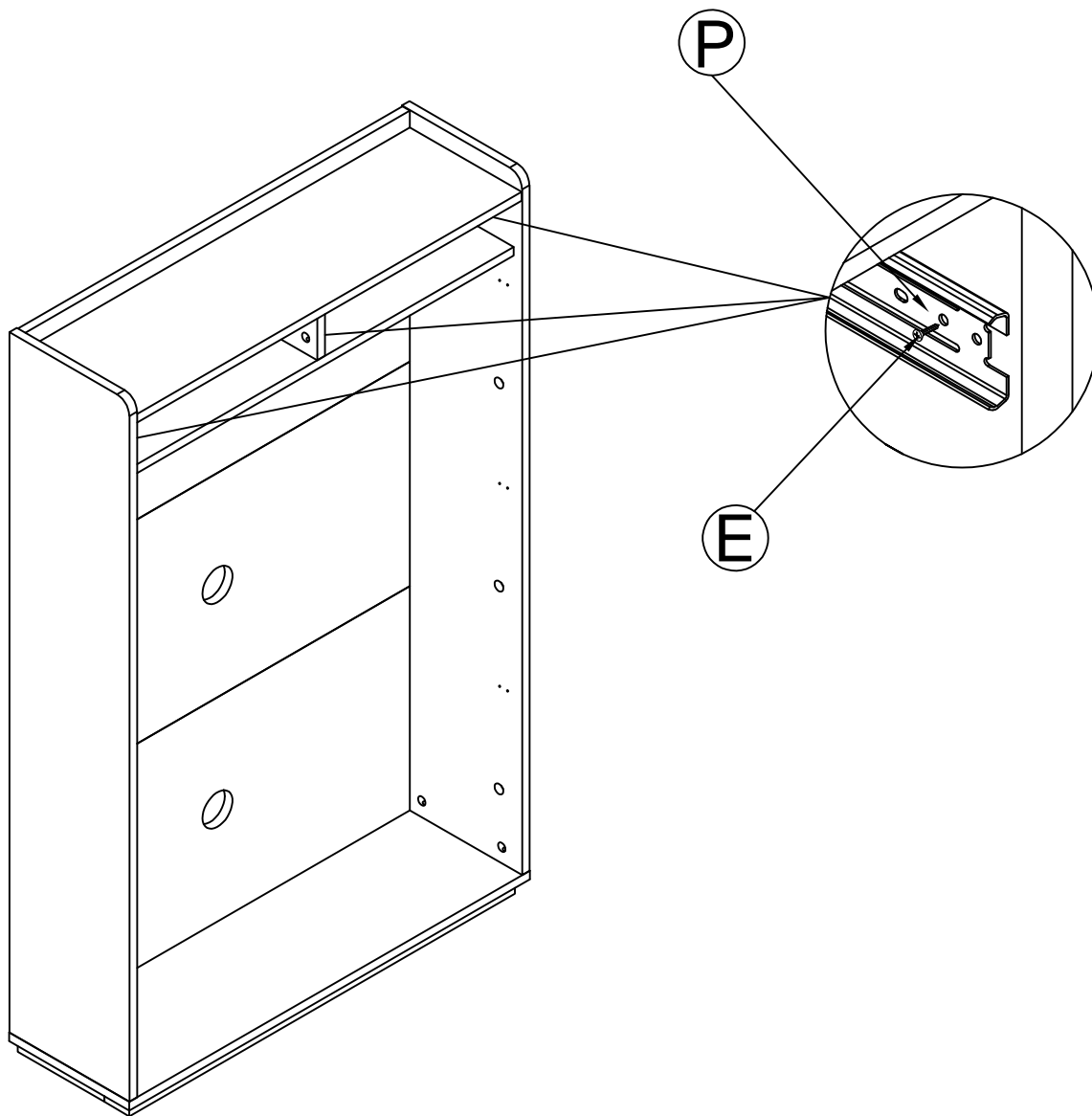
D



[x4]



7

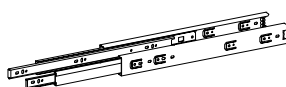


E



[x12]

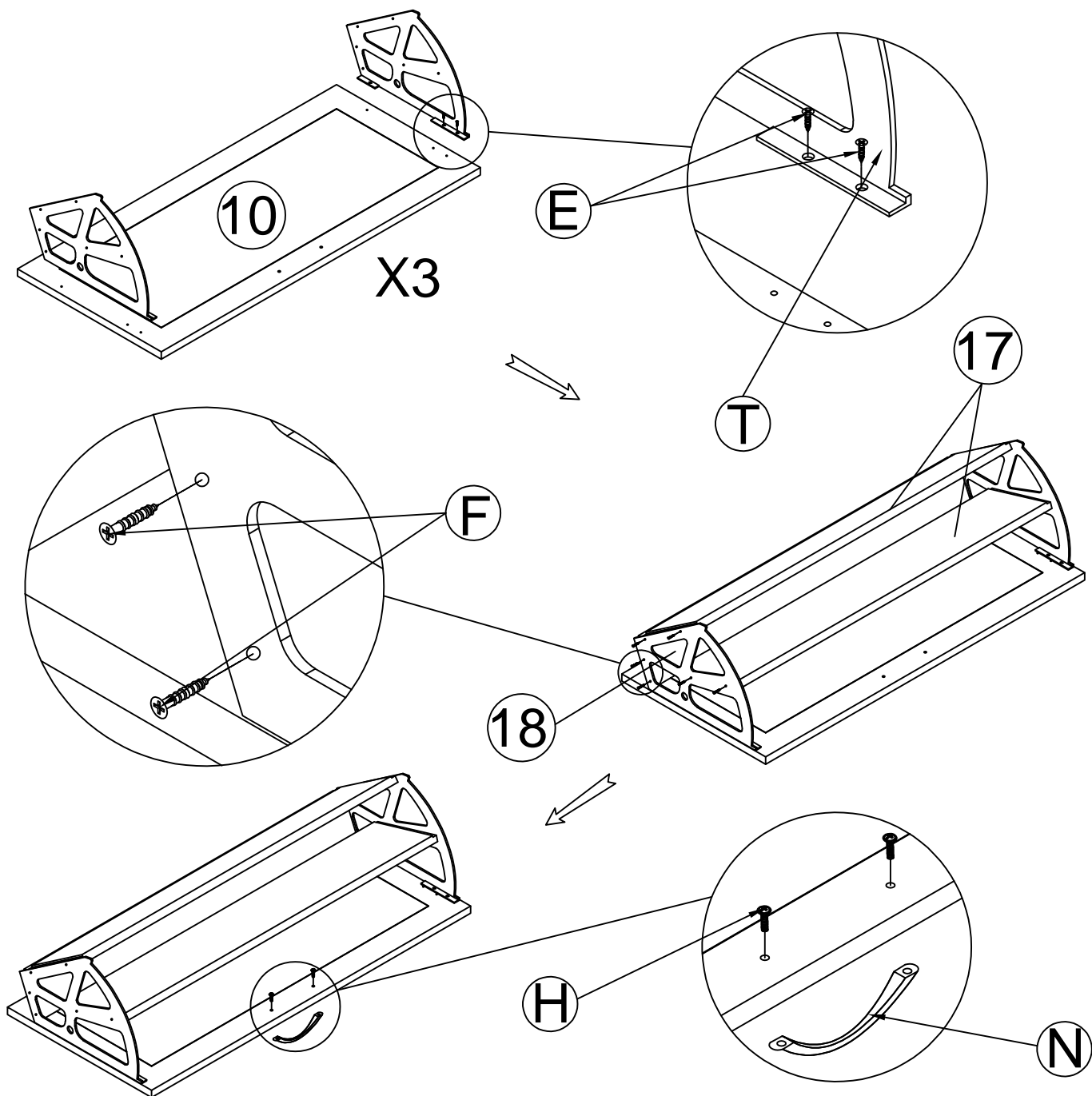
P



[x4]



8



E



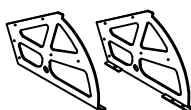
[x18]

F



[x36]

T



[x3]

H

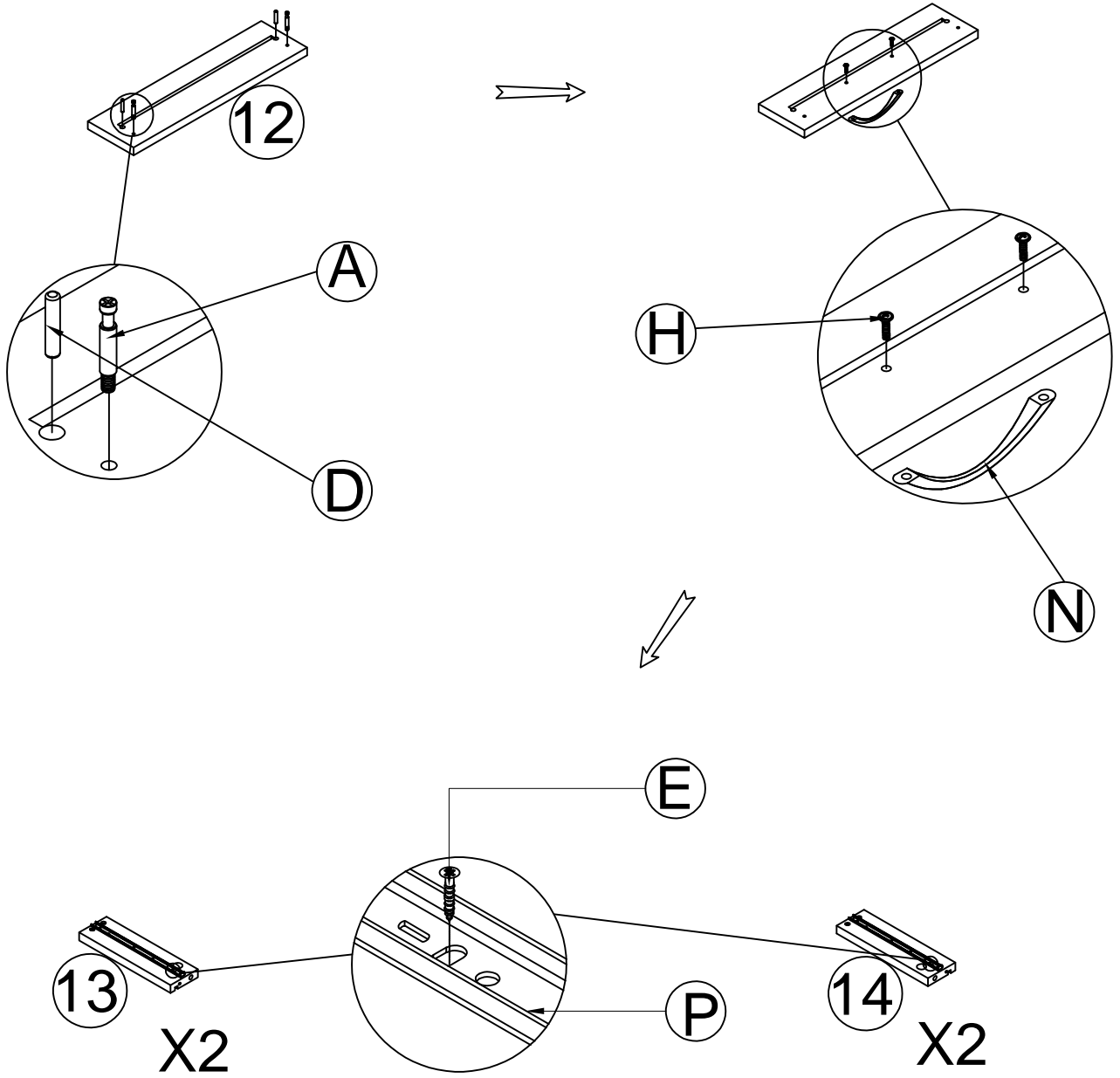


[x6]

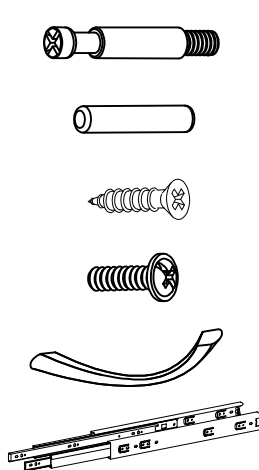
N



[x3]

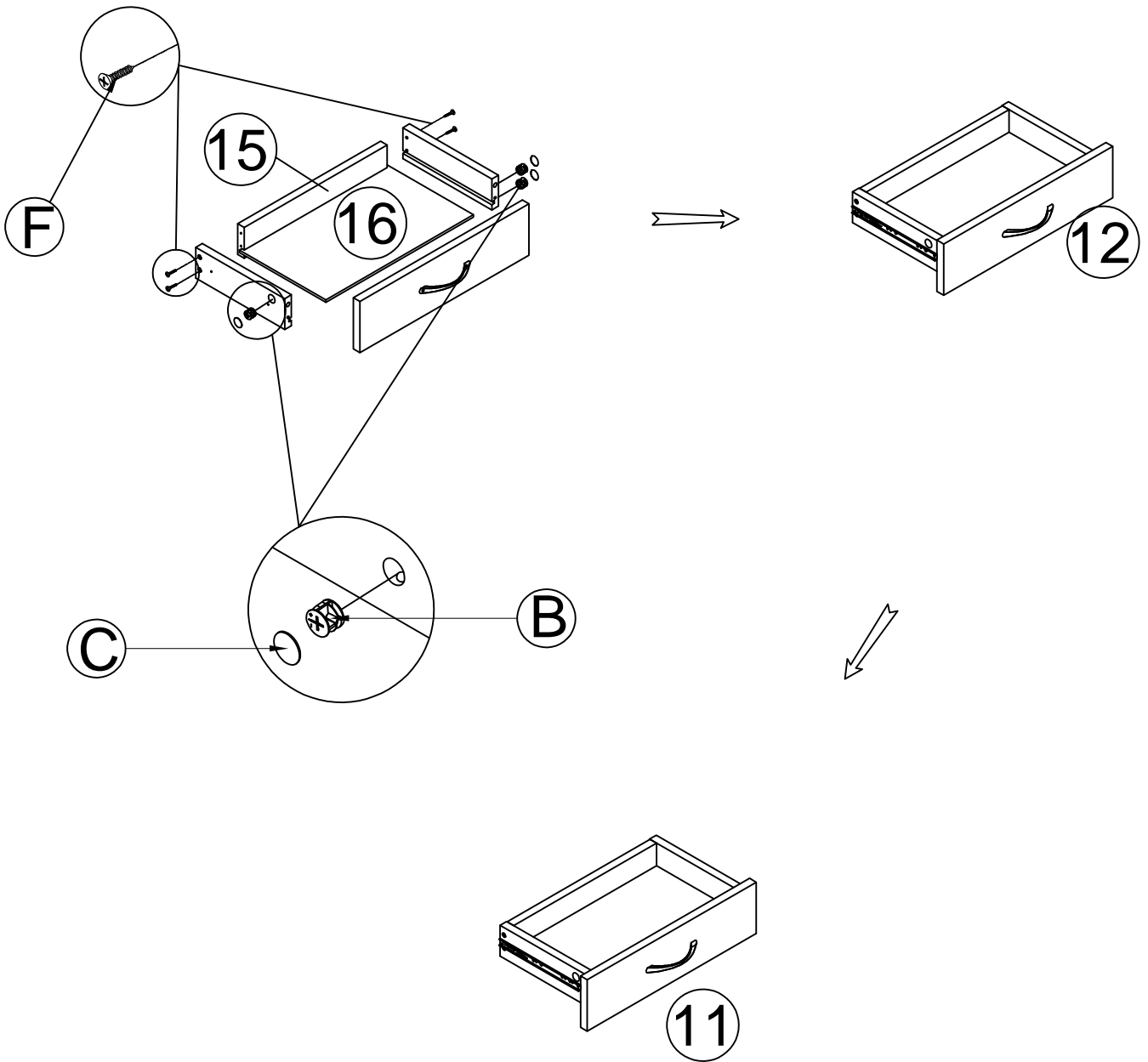


- (A)
- (D)
- (E)
- (H)
- (N)
- (P)



- [x4]
- [x4]
- [x8]
- [x4]
- [x2]
- [x4]

10



(B)



[x4]

(C)



[x4]

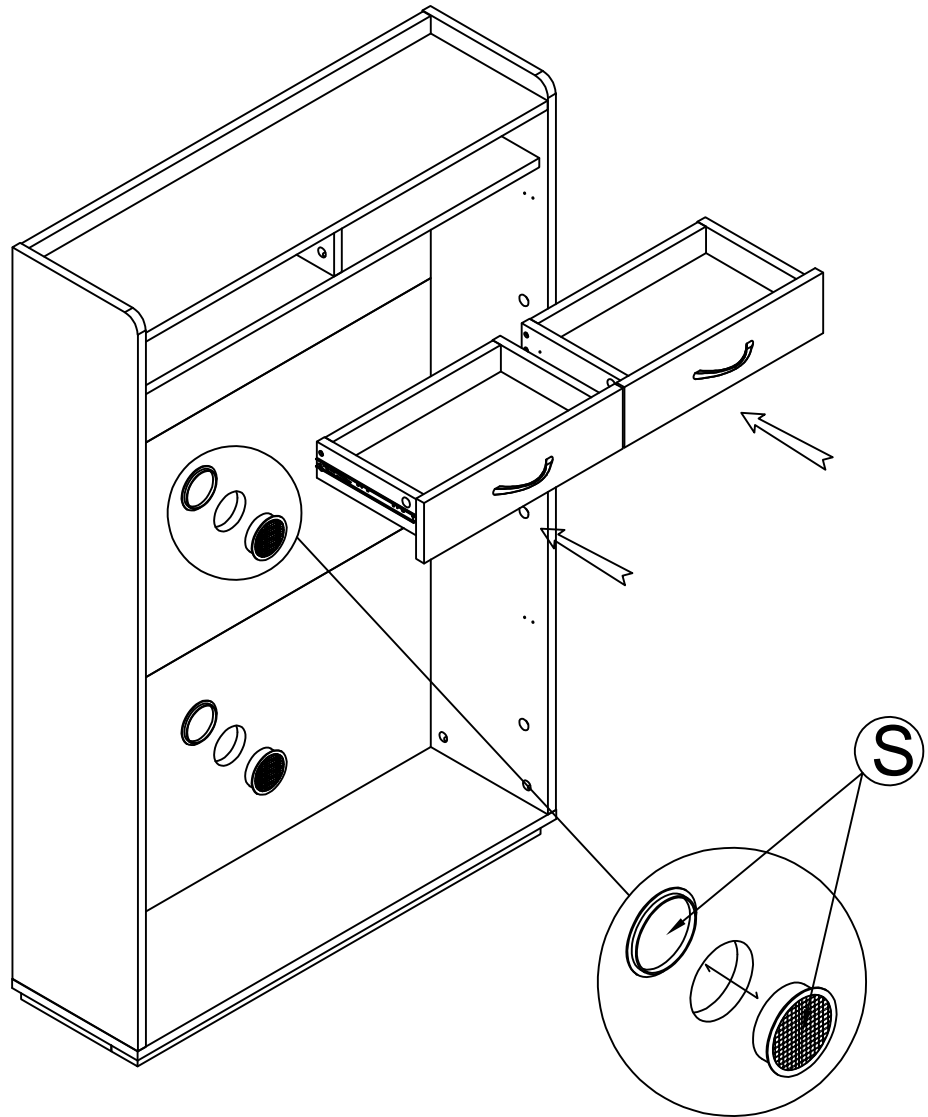
(F)



[x8]



11

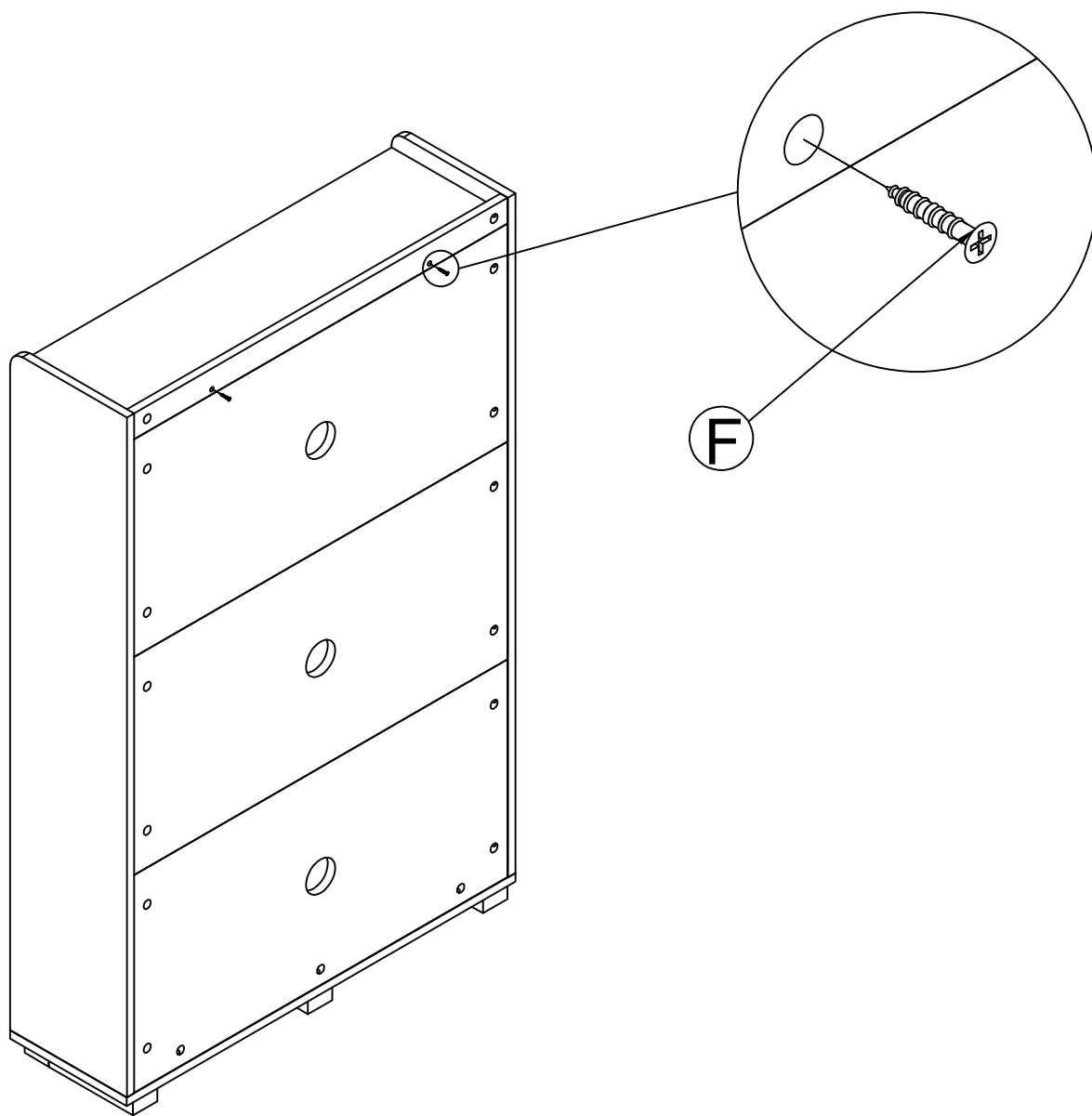


Ⓢ



[x3]

12



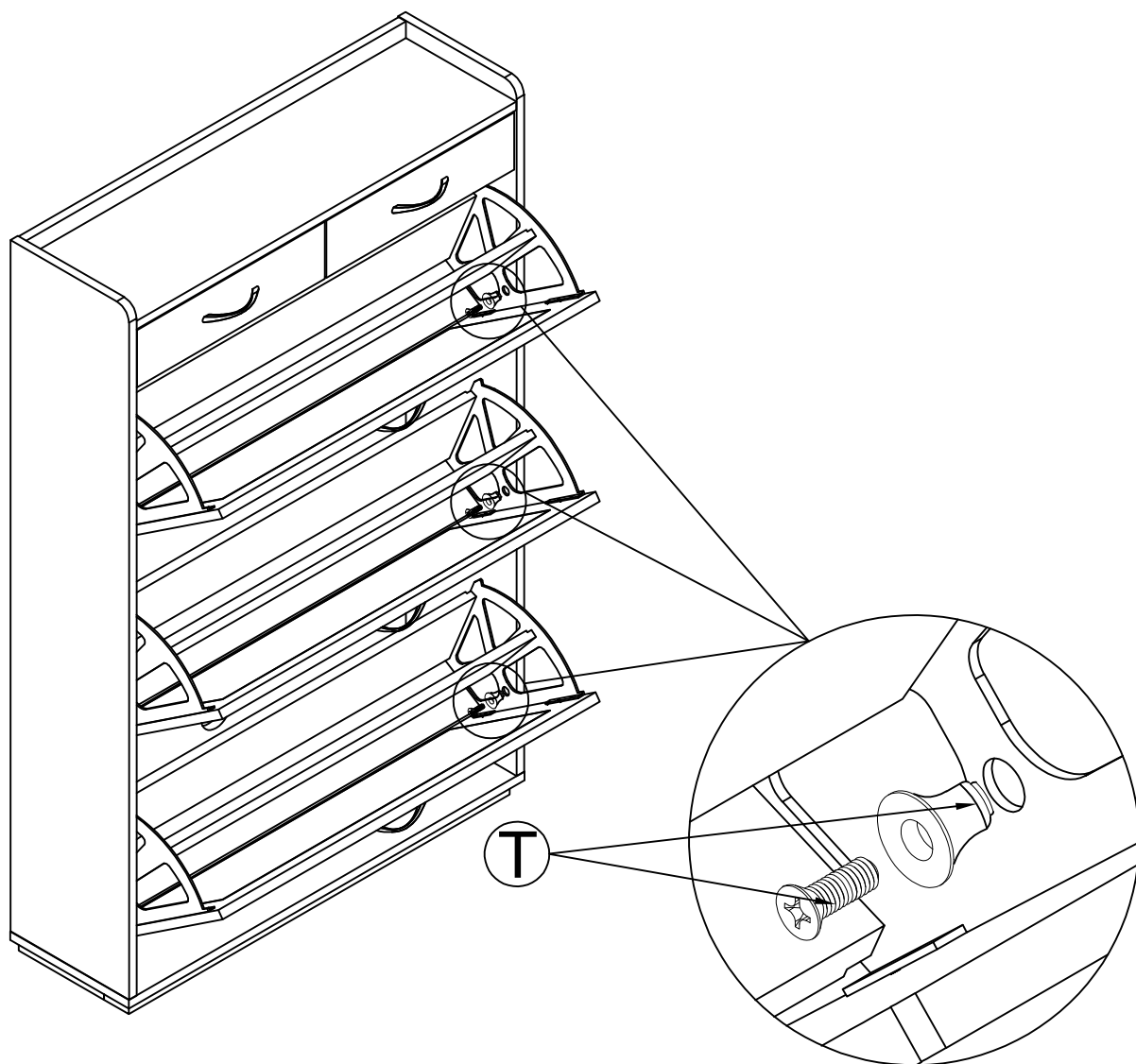
F



[x2]



13



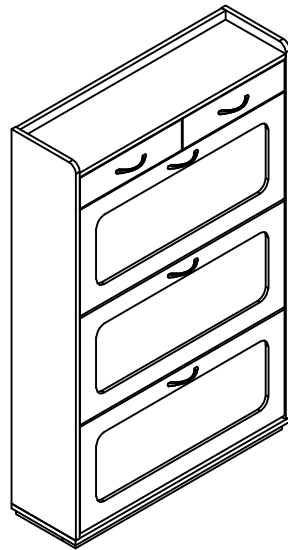
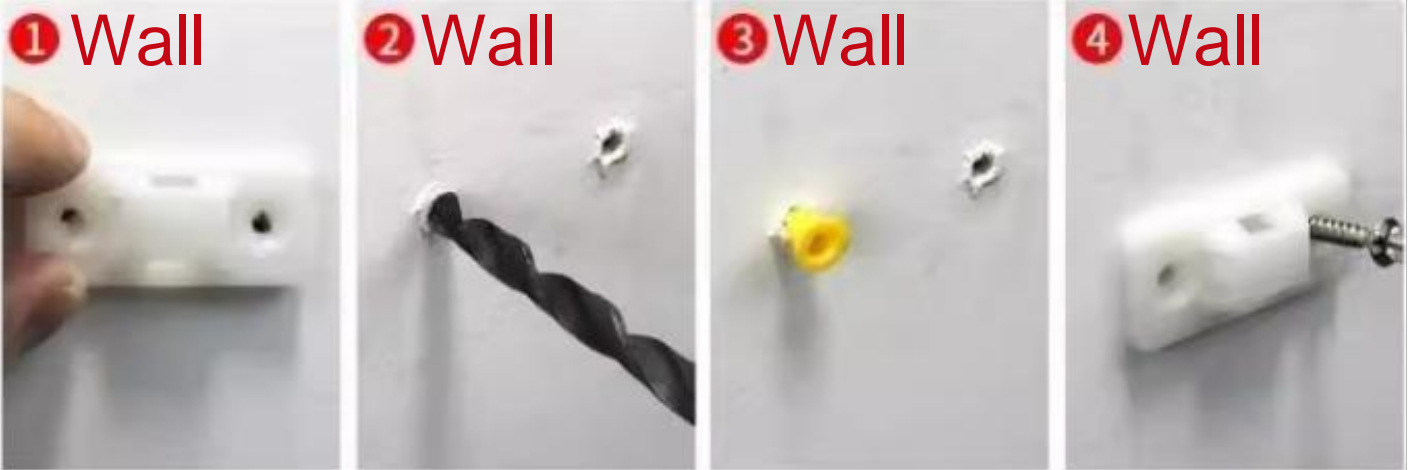
T



[x1]



14



Q

Q



[x2]

