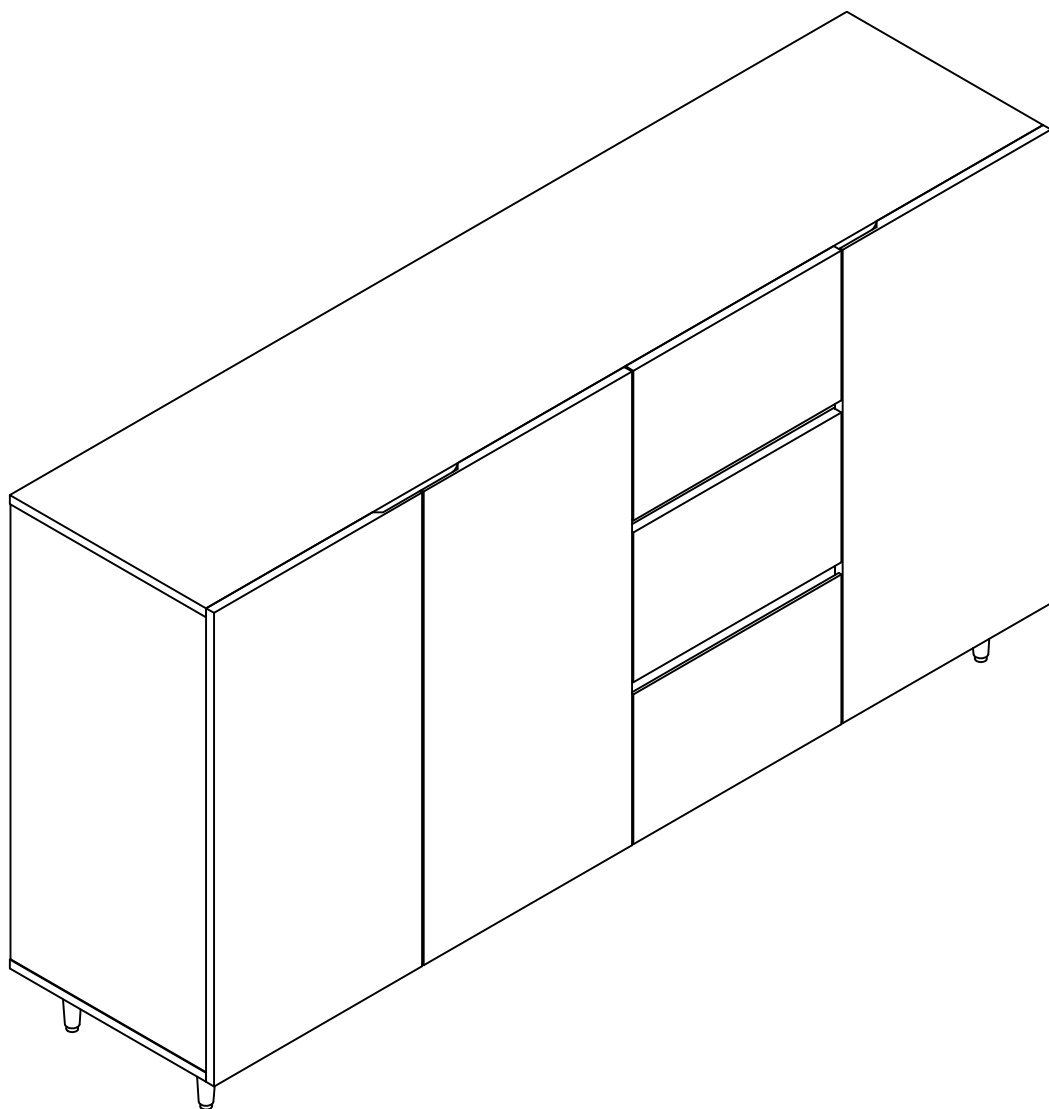
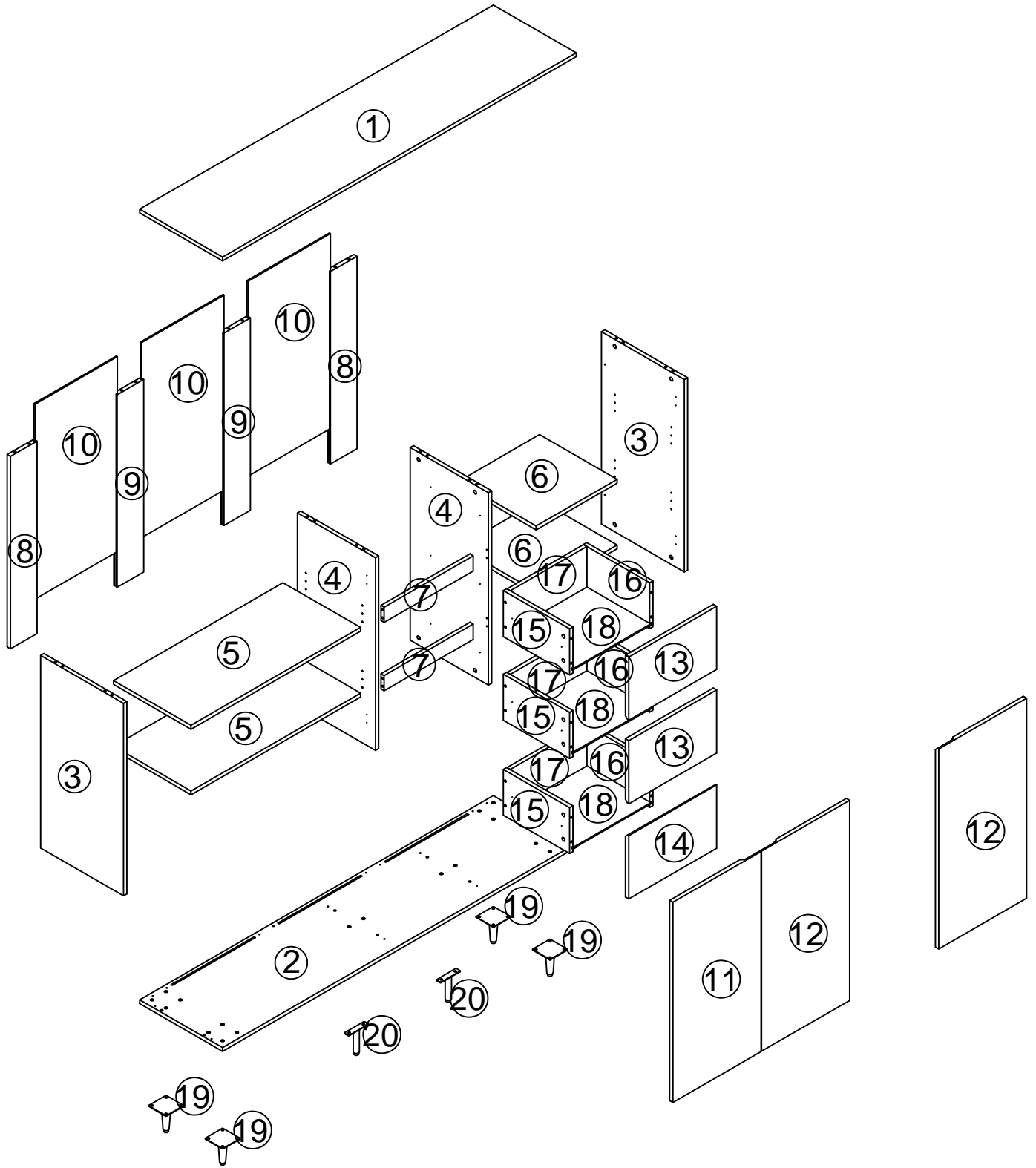


Assembly Instructions
ITEM# BS-2402
Sideboard

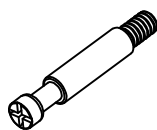


BS-2402



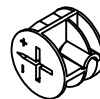
HARDWARE-1

X57



(A)

X57



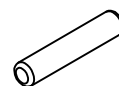
(B)

X77



(C)

X17



ϕ 8x30

(D)

X68



ϕ 3.5x14

(E)

X14



ϕ 3.5x30

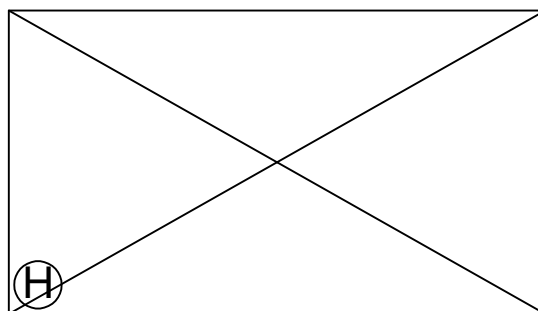
(F)

X14



ϕ 3x20

(G)



(H)

X1



4mm

(I)

X21




M6x15

(J)

HARDWARE-2


X21



Φ 6x12

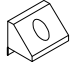
(K)

X17

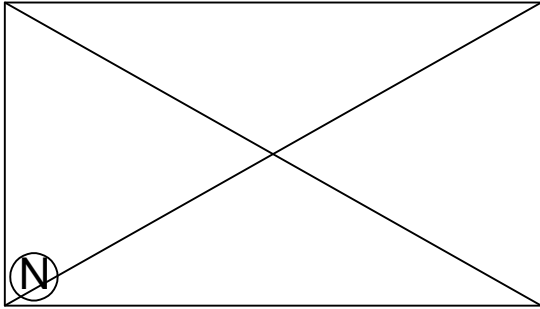


(L)

X14

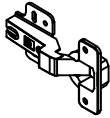


(M)



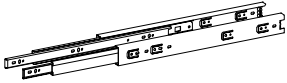
(N)

X6



(O)


X3



12"

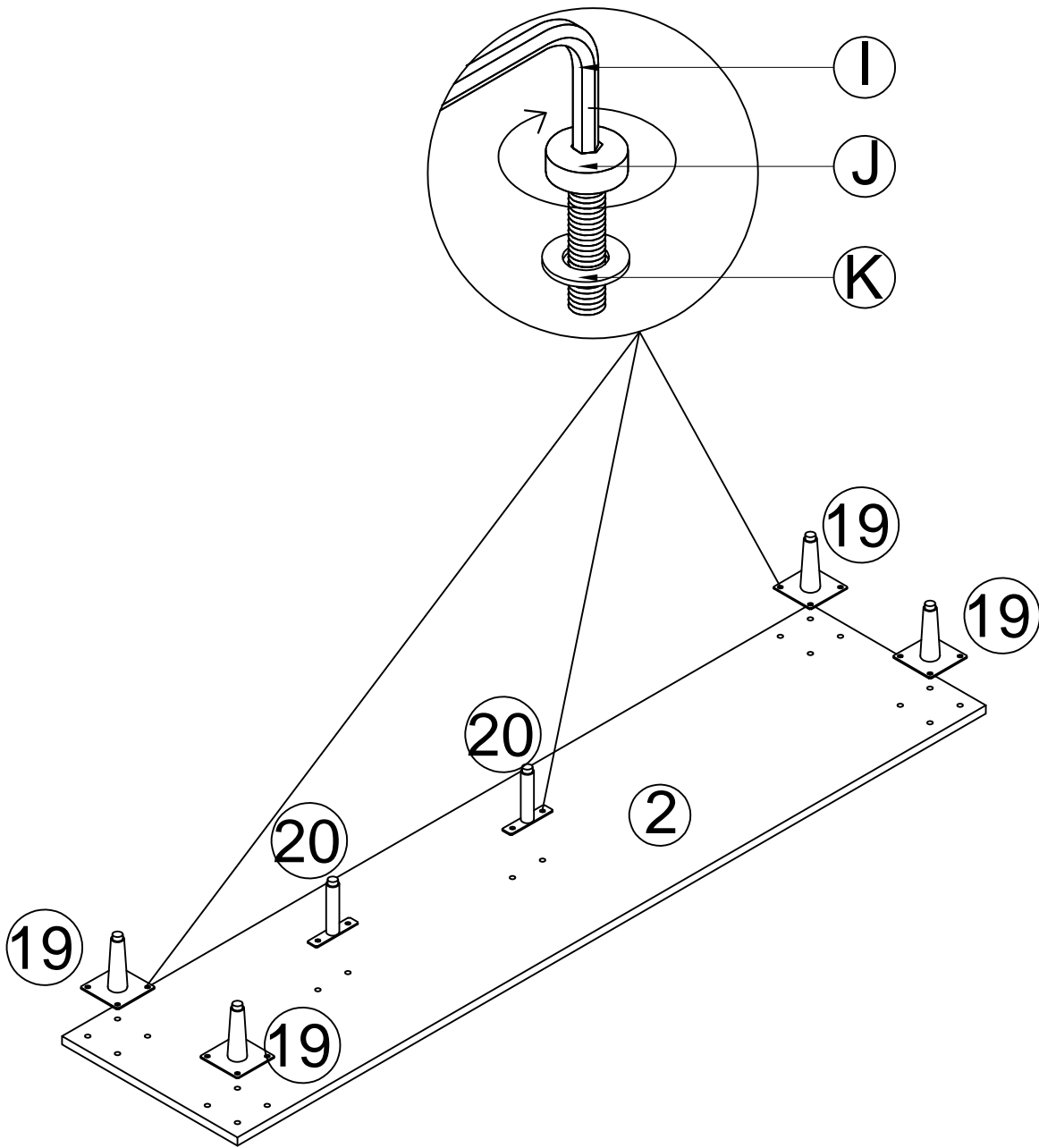
(P)

X2



(Q)

1



I



[x1]

J



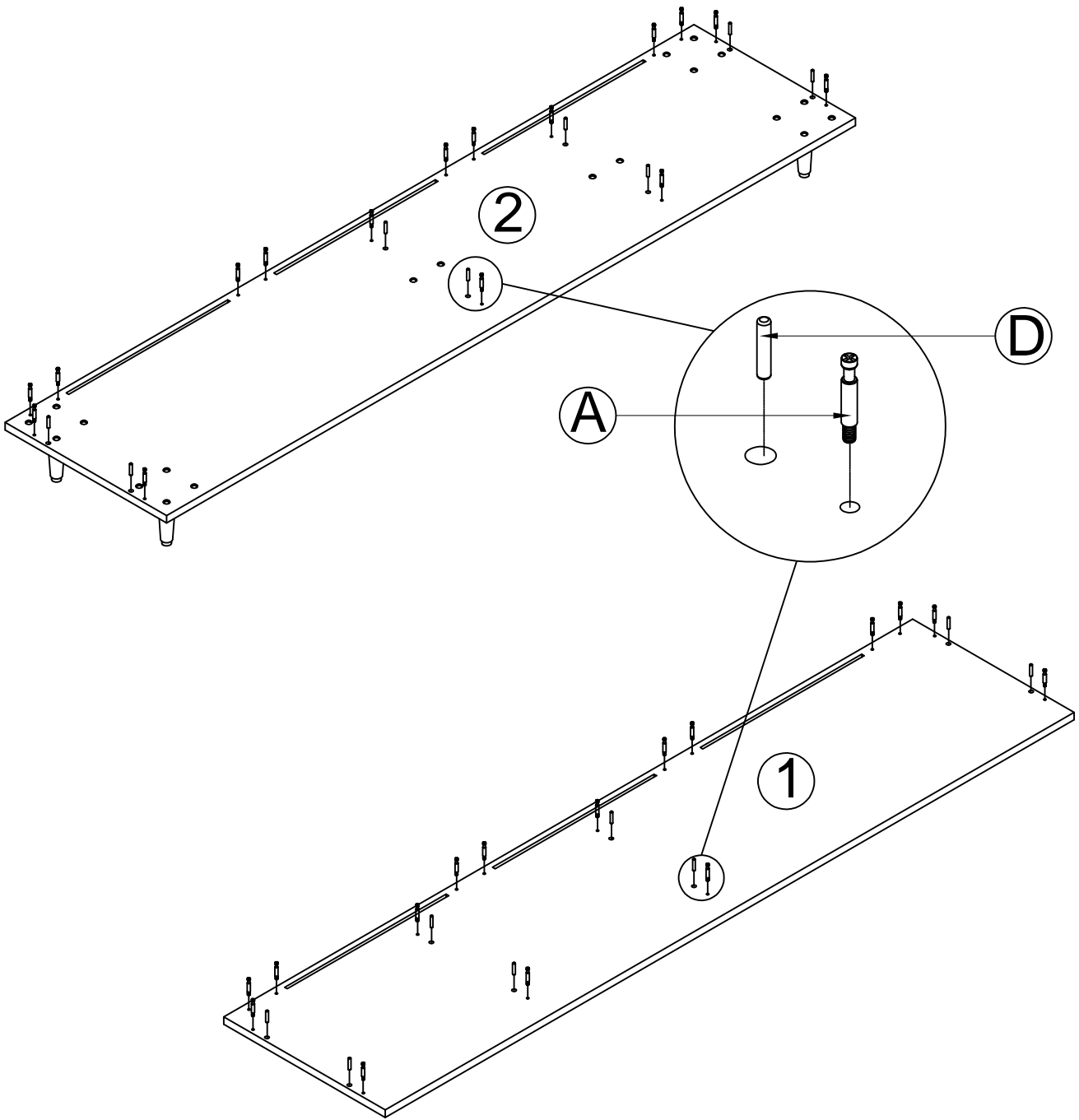
[x20]

K

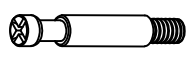


[x20]

2

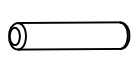


(A)



[x32]

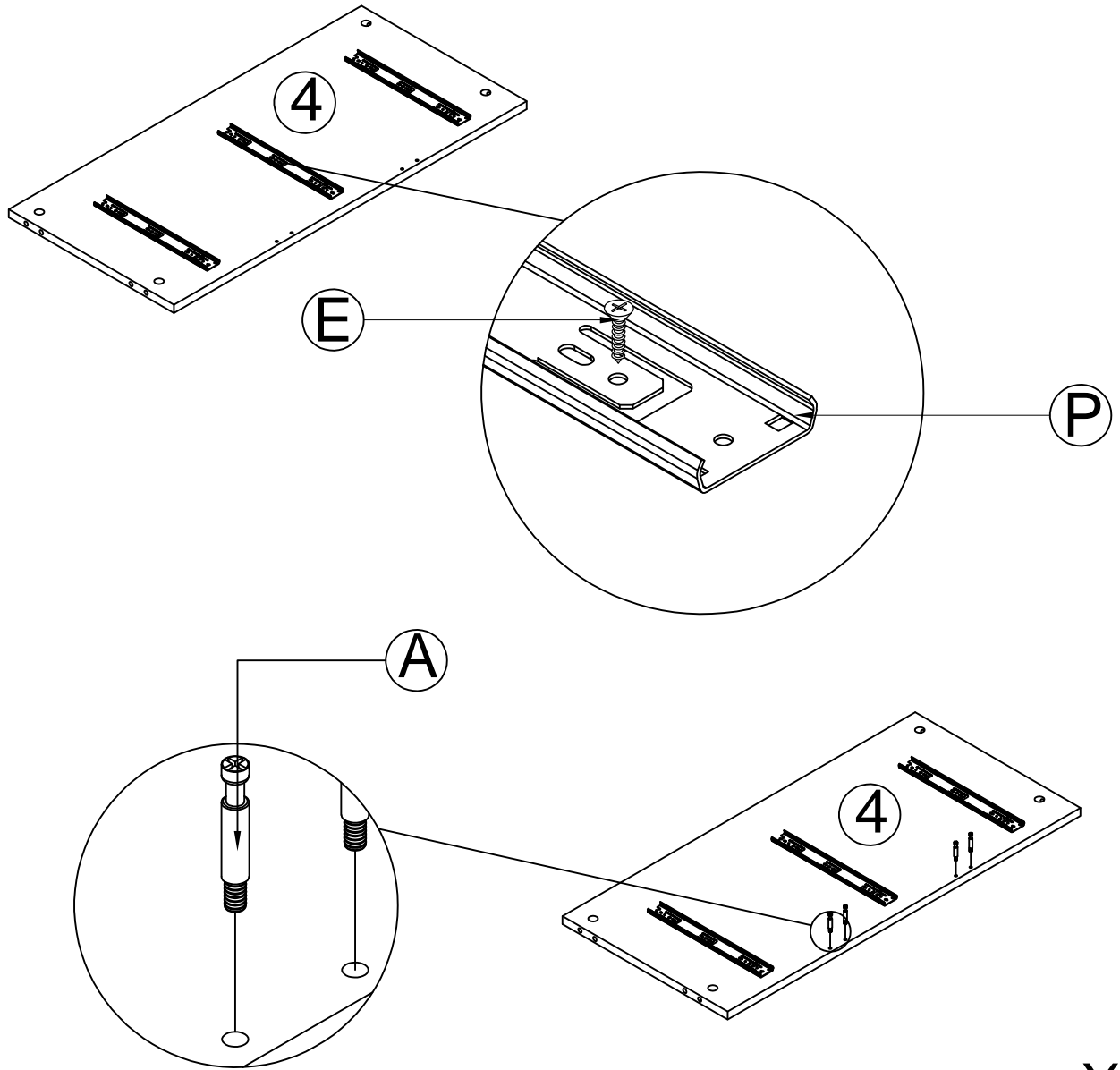
(D)



[x16]

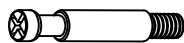


3



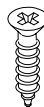
X2

(A)



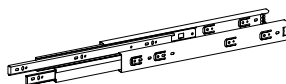
[x8]

(E)



[x18]

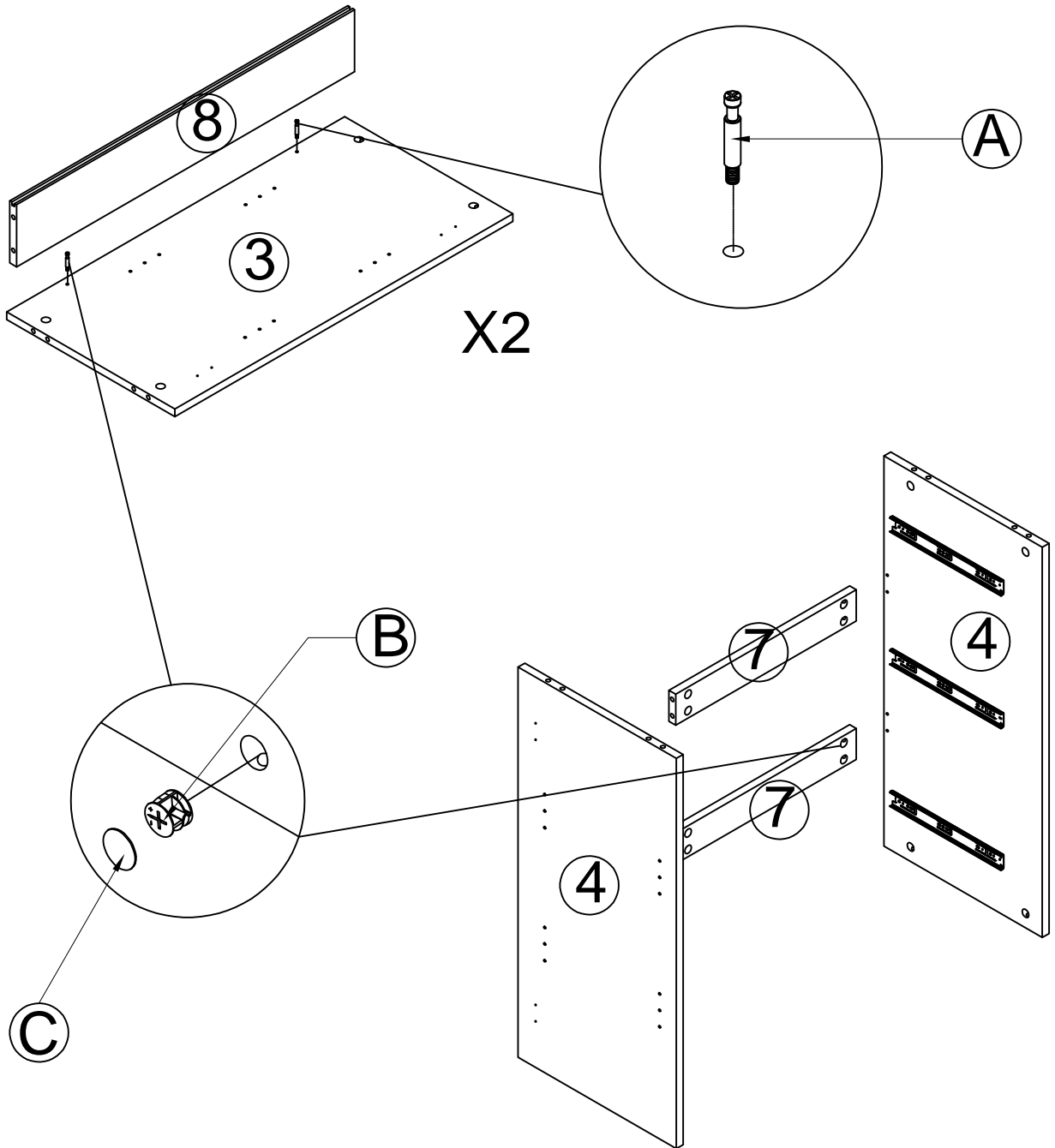
(P)



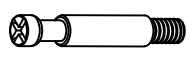
[x3]



4



A



[x4]

B

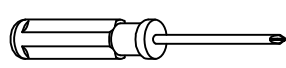


[x12]

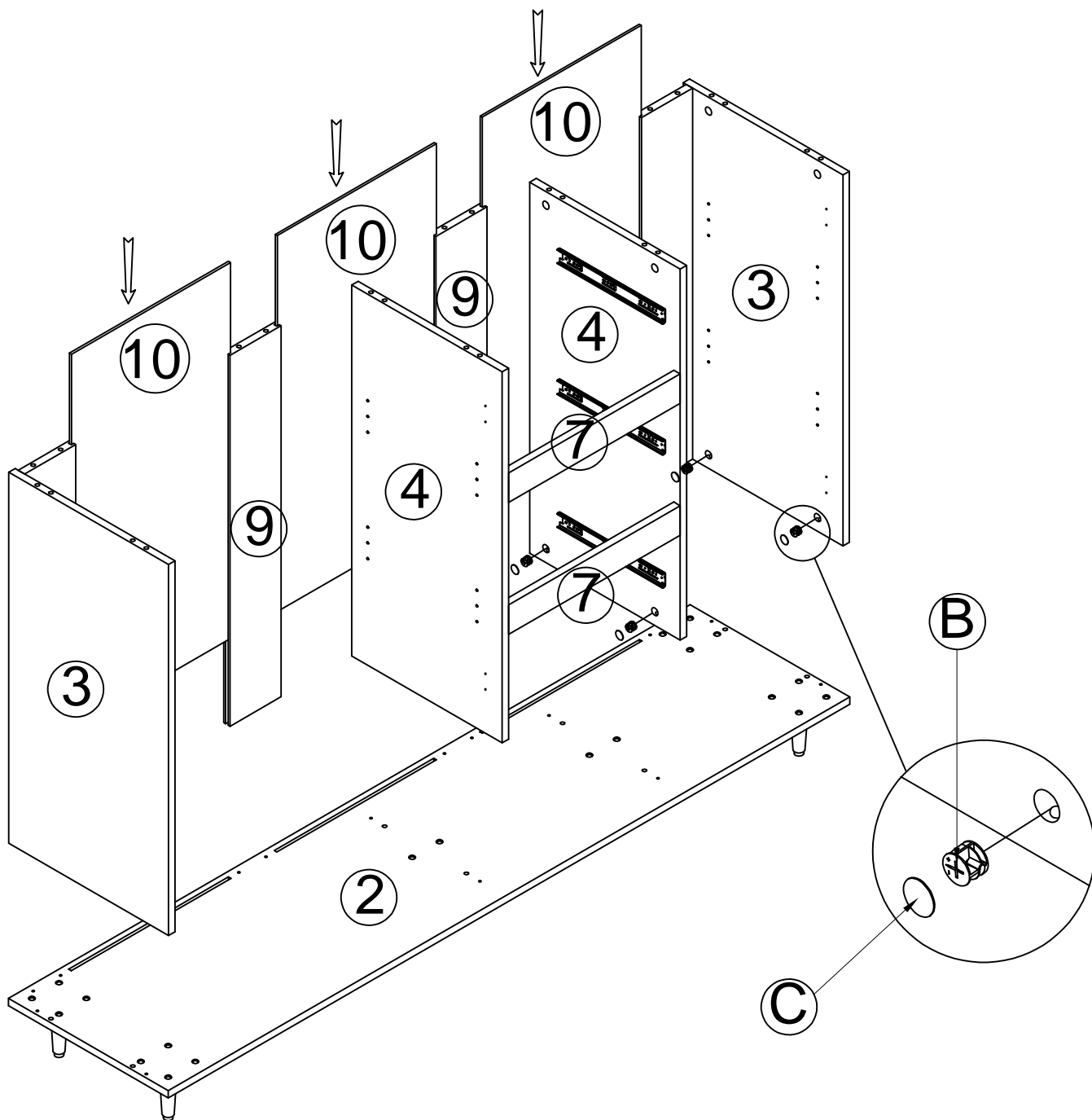
C



[x12]



5



(B)



[x16]

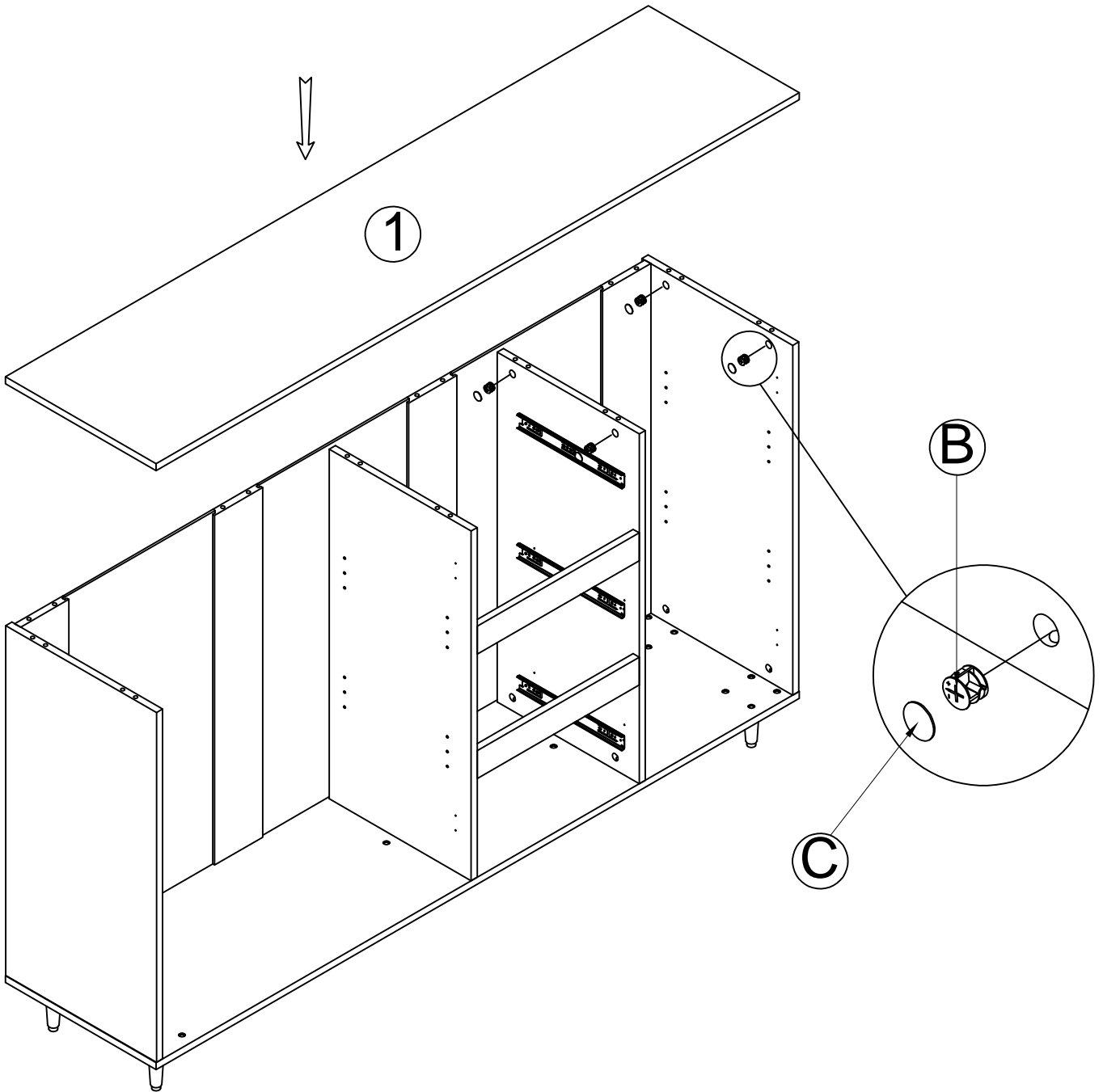
(C)



[x16]



6



B



[x16]

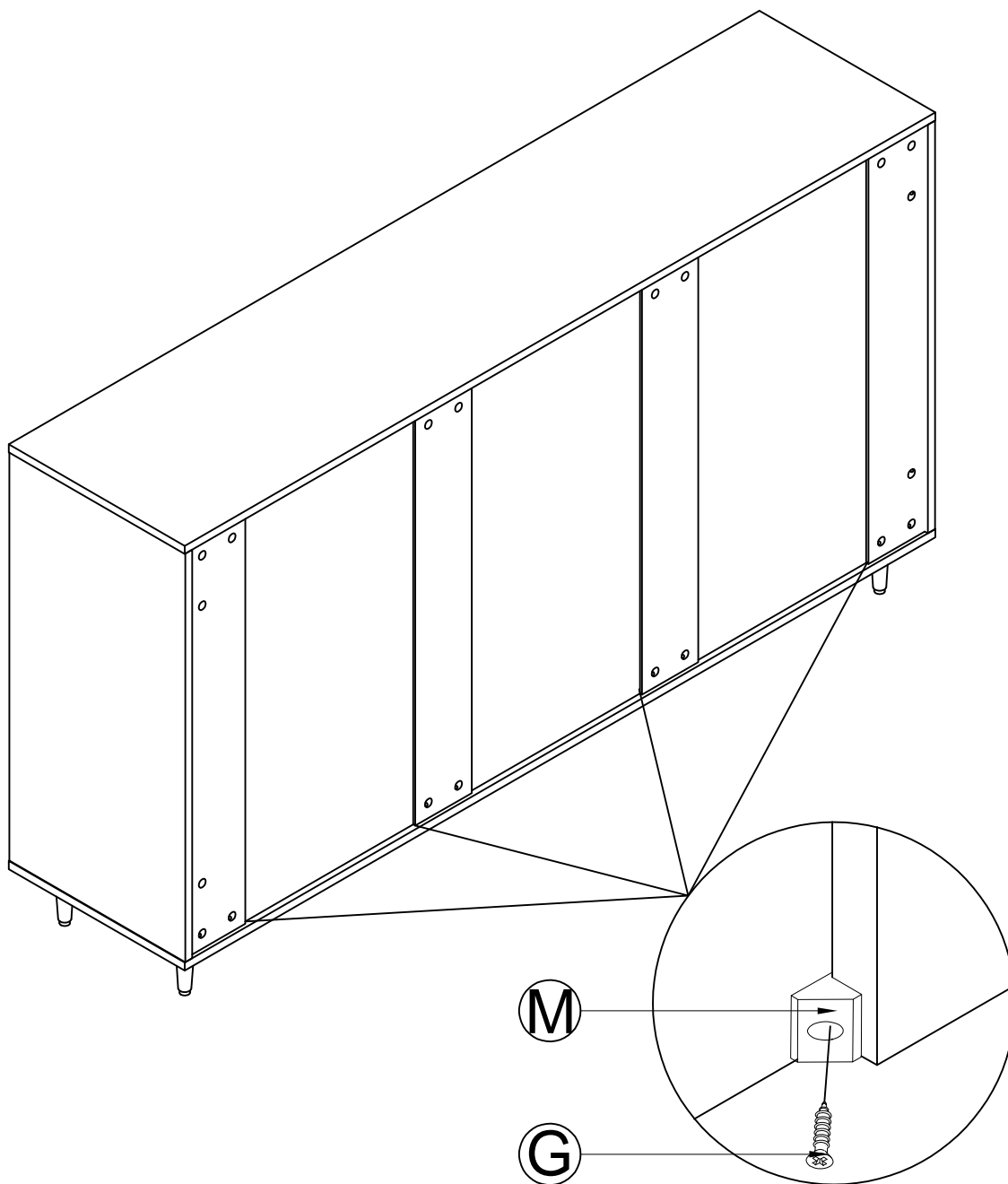
C



[x16]



7



G



[x12]

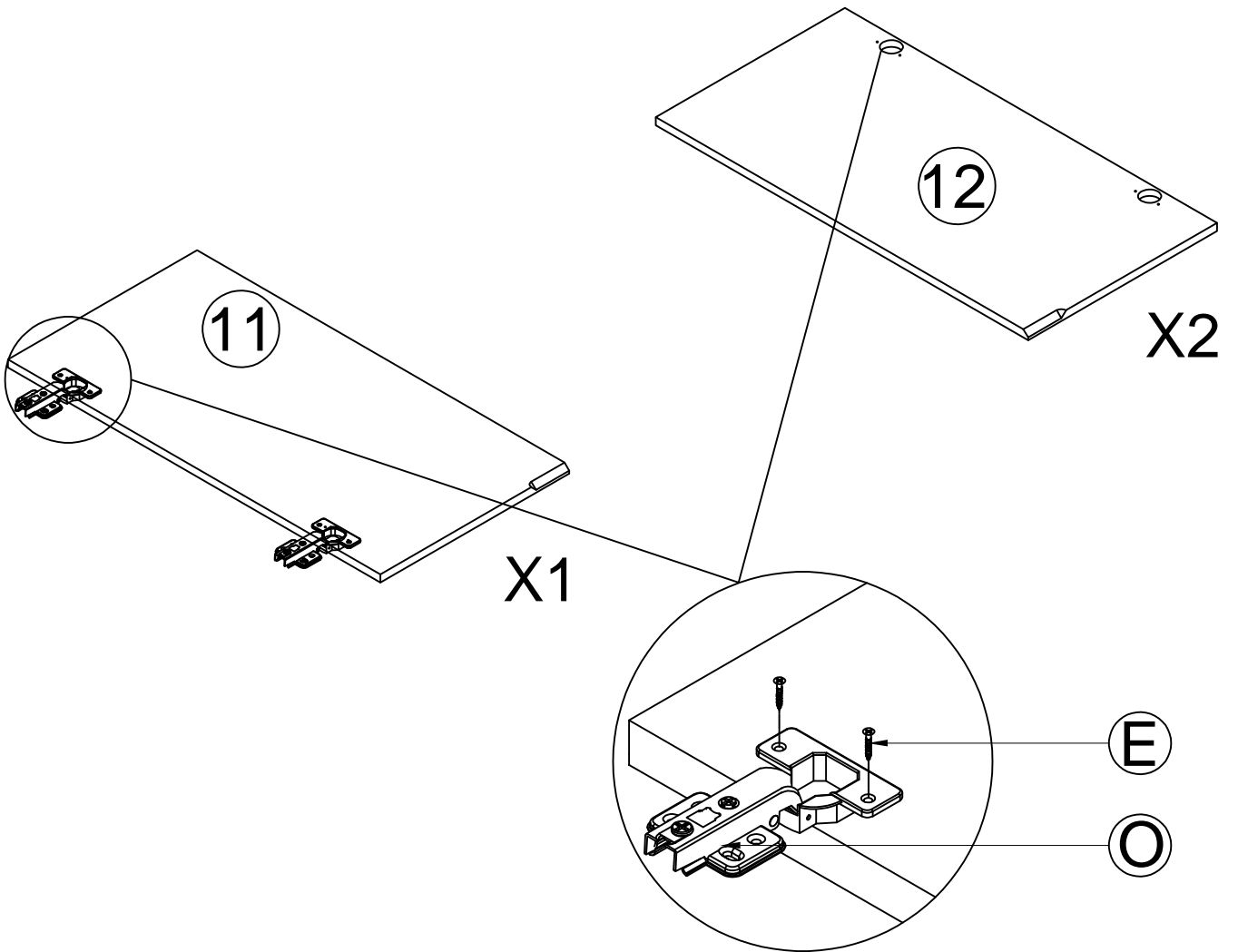
M



[x12]



8

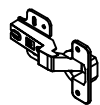


E



[x12]

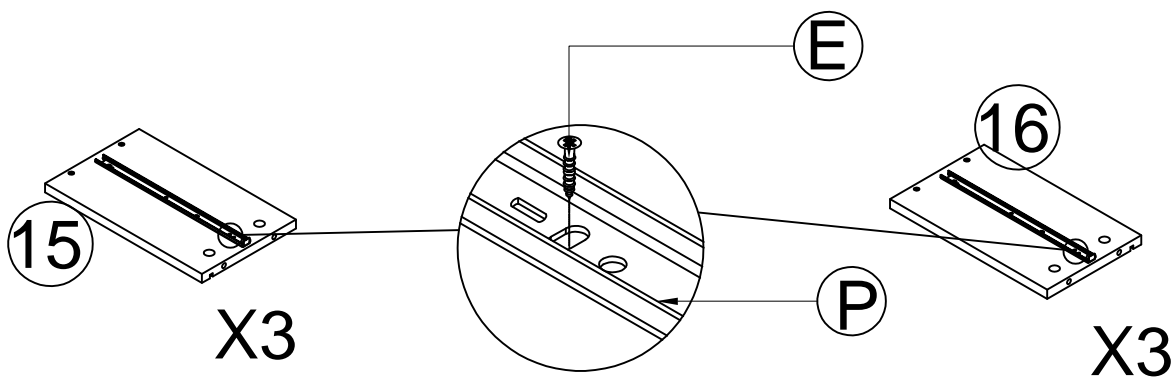
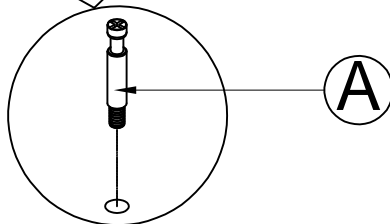
O



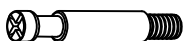
[x6]



9



A



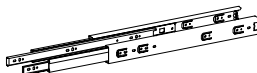
[x12]

E



[x12]

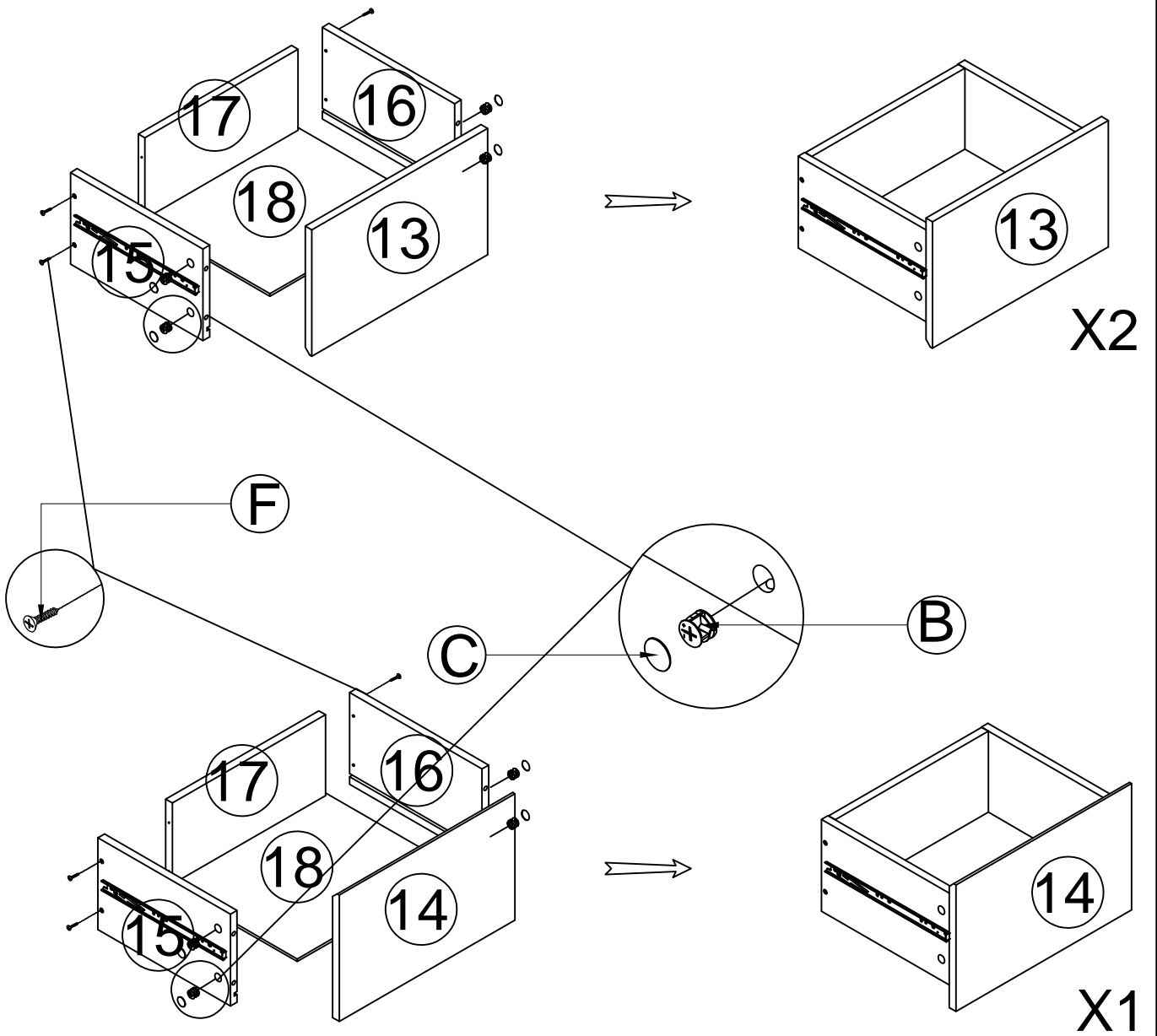
P



[x3]



10



(B)



[x12]

(C)



[x12]

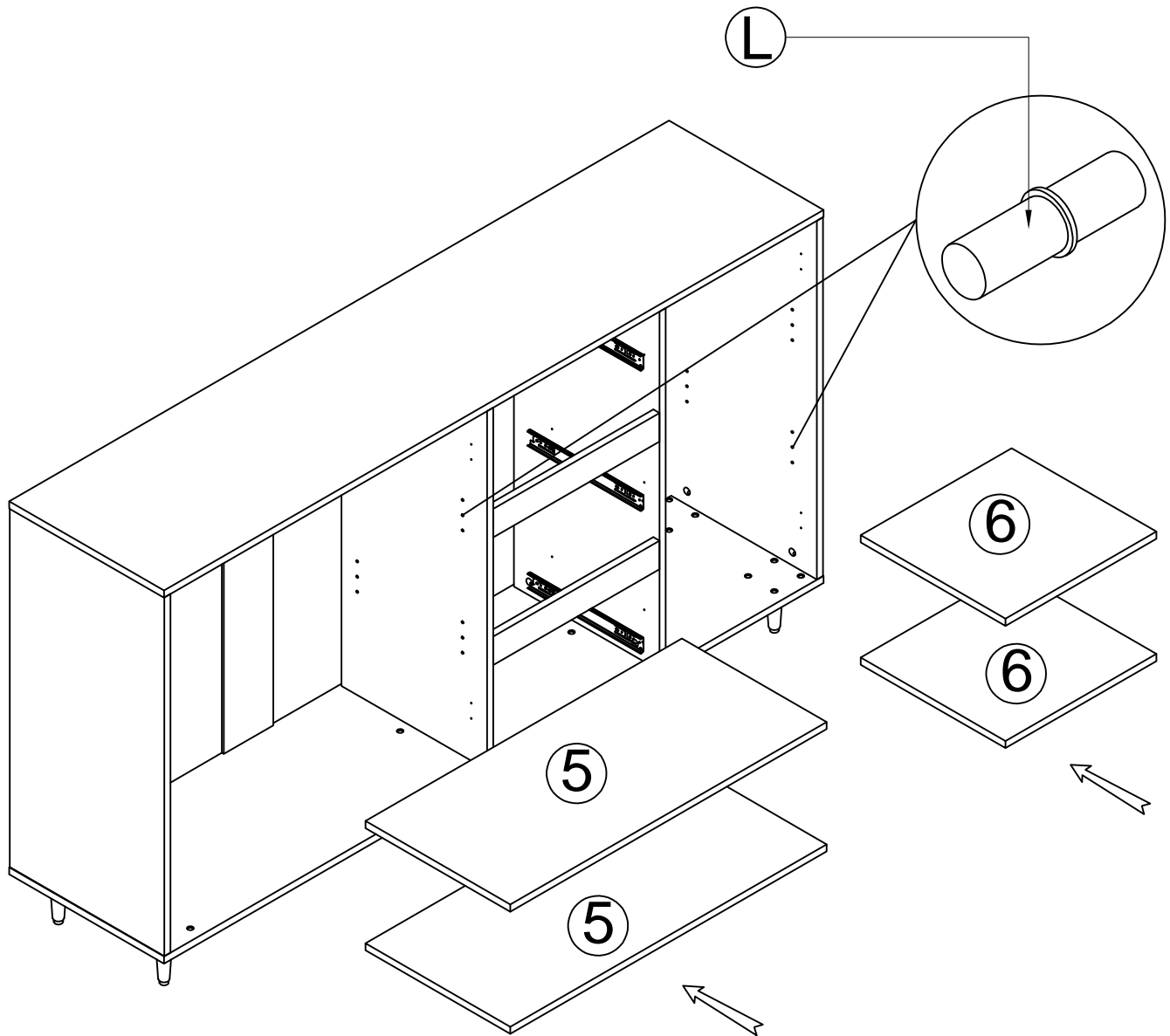
(F)



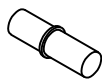
[x12]



11

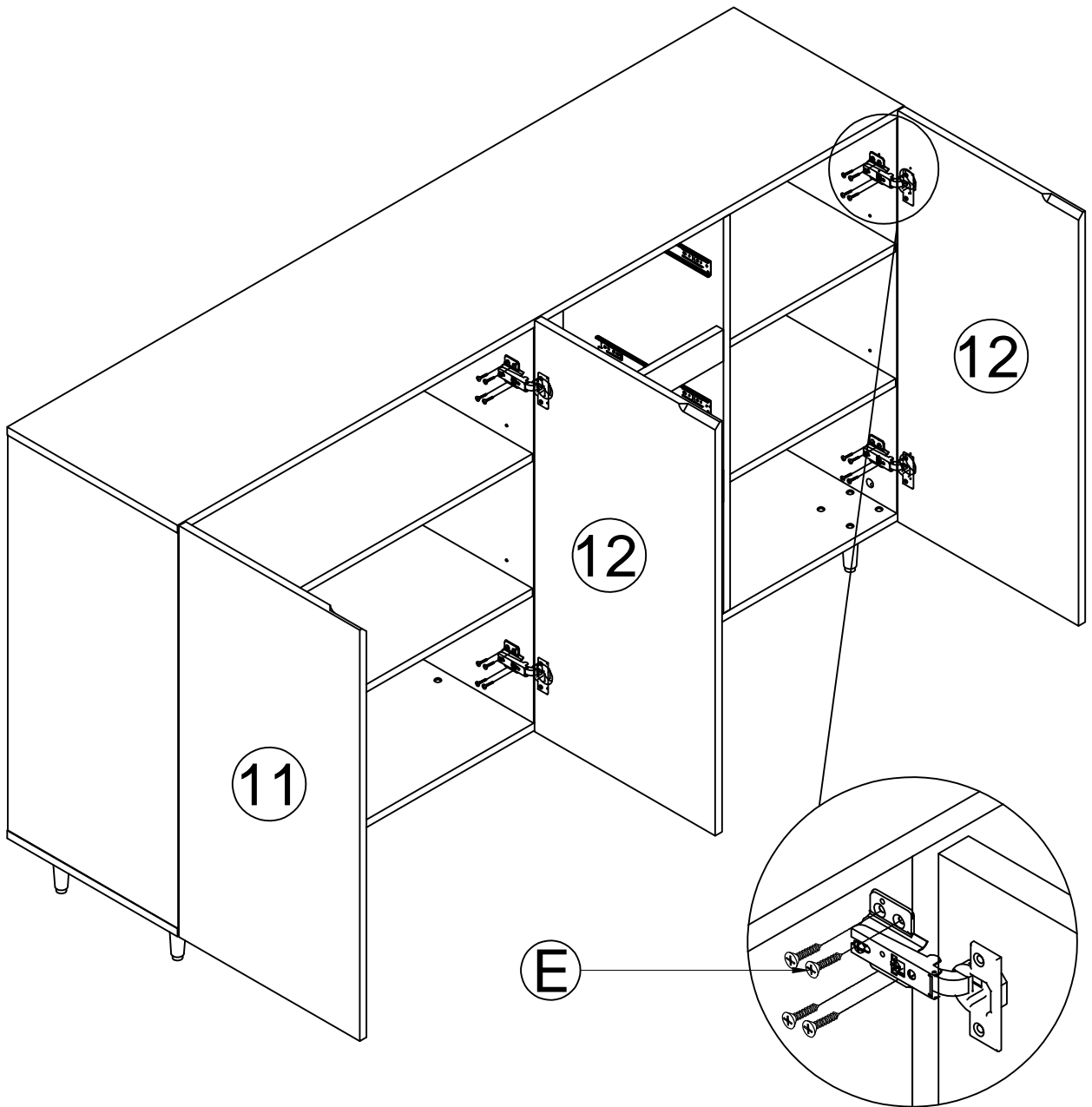


L



[x16]

12



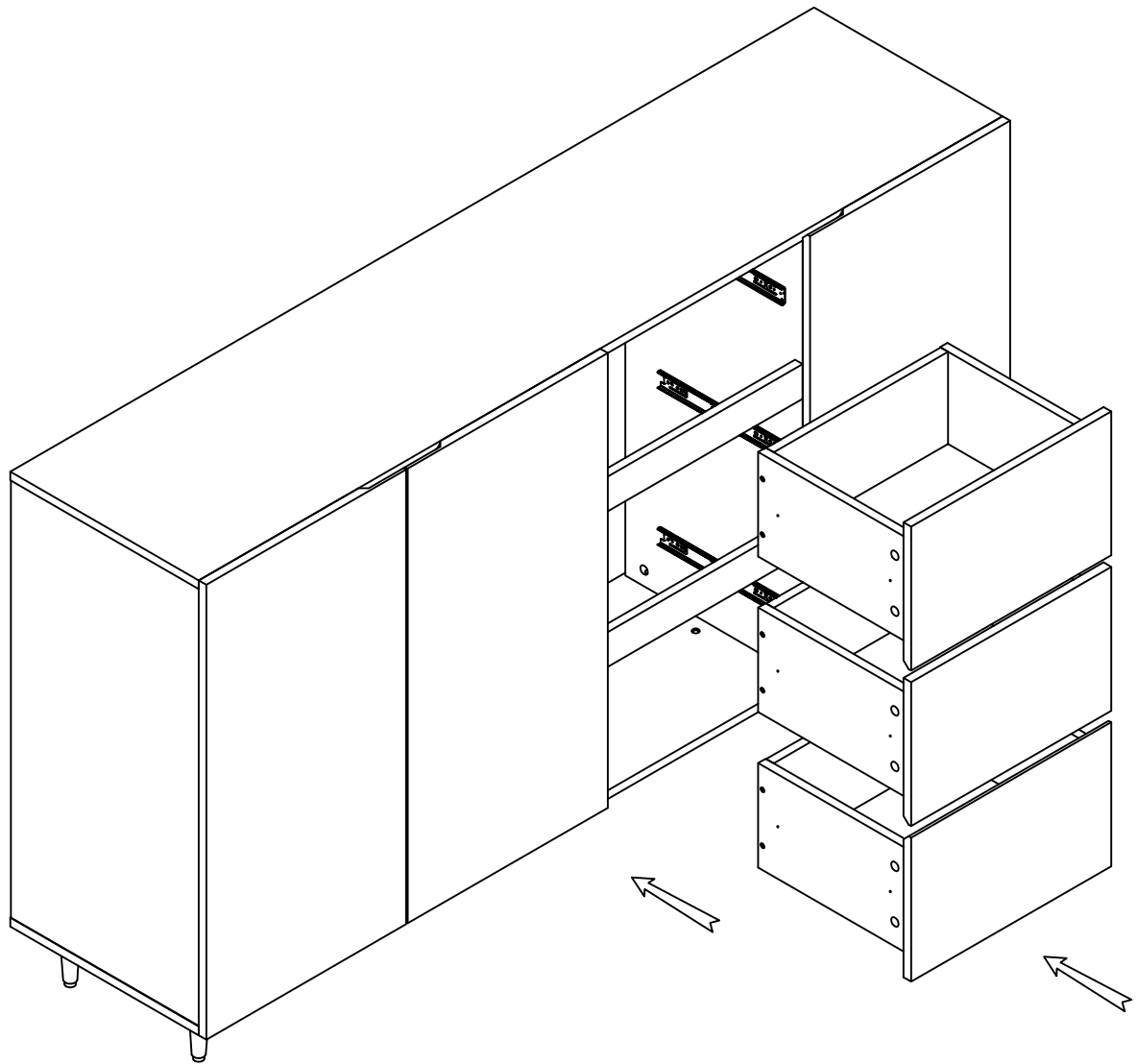
E

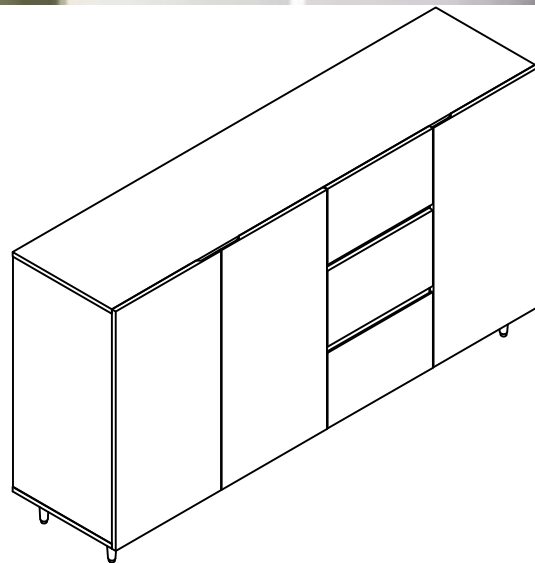
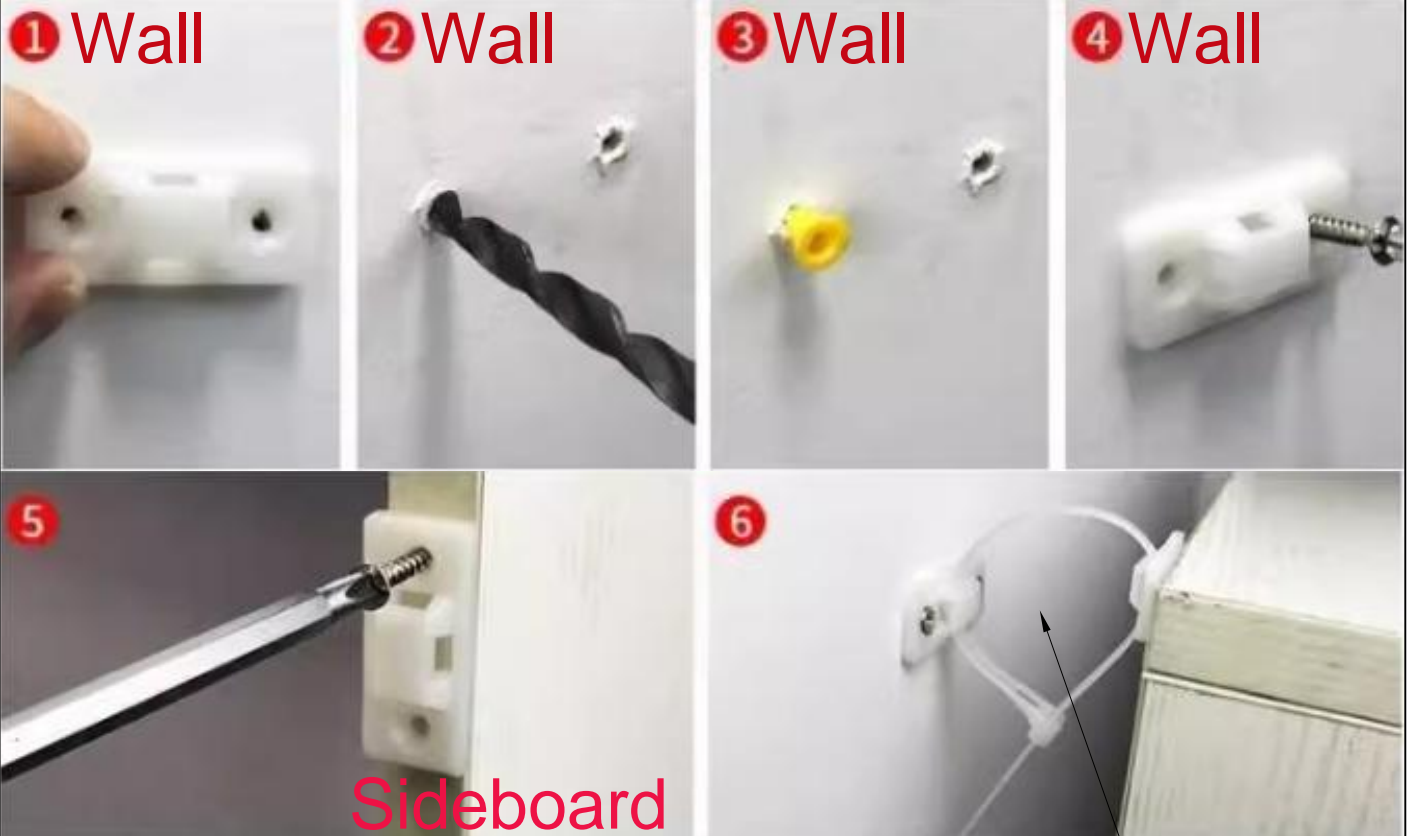


[x24]



13





Q

Q



[x2]

