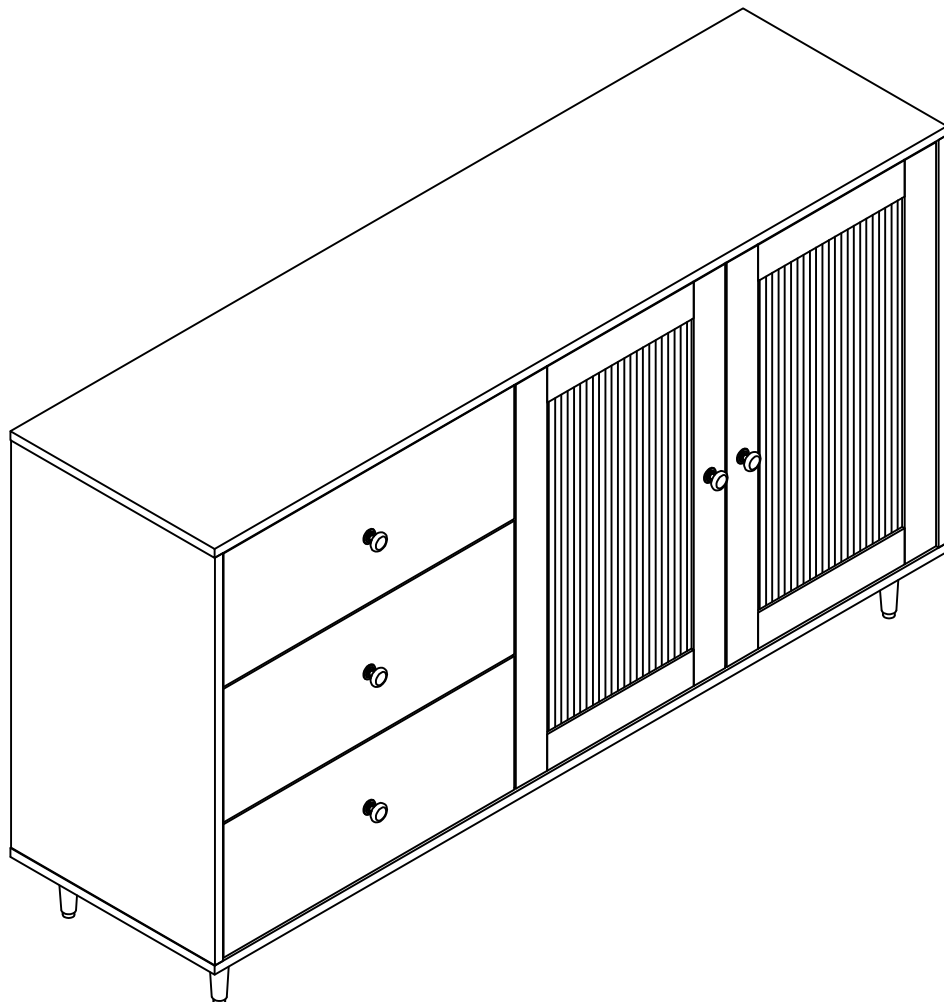
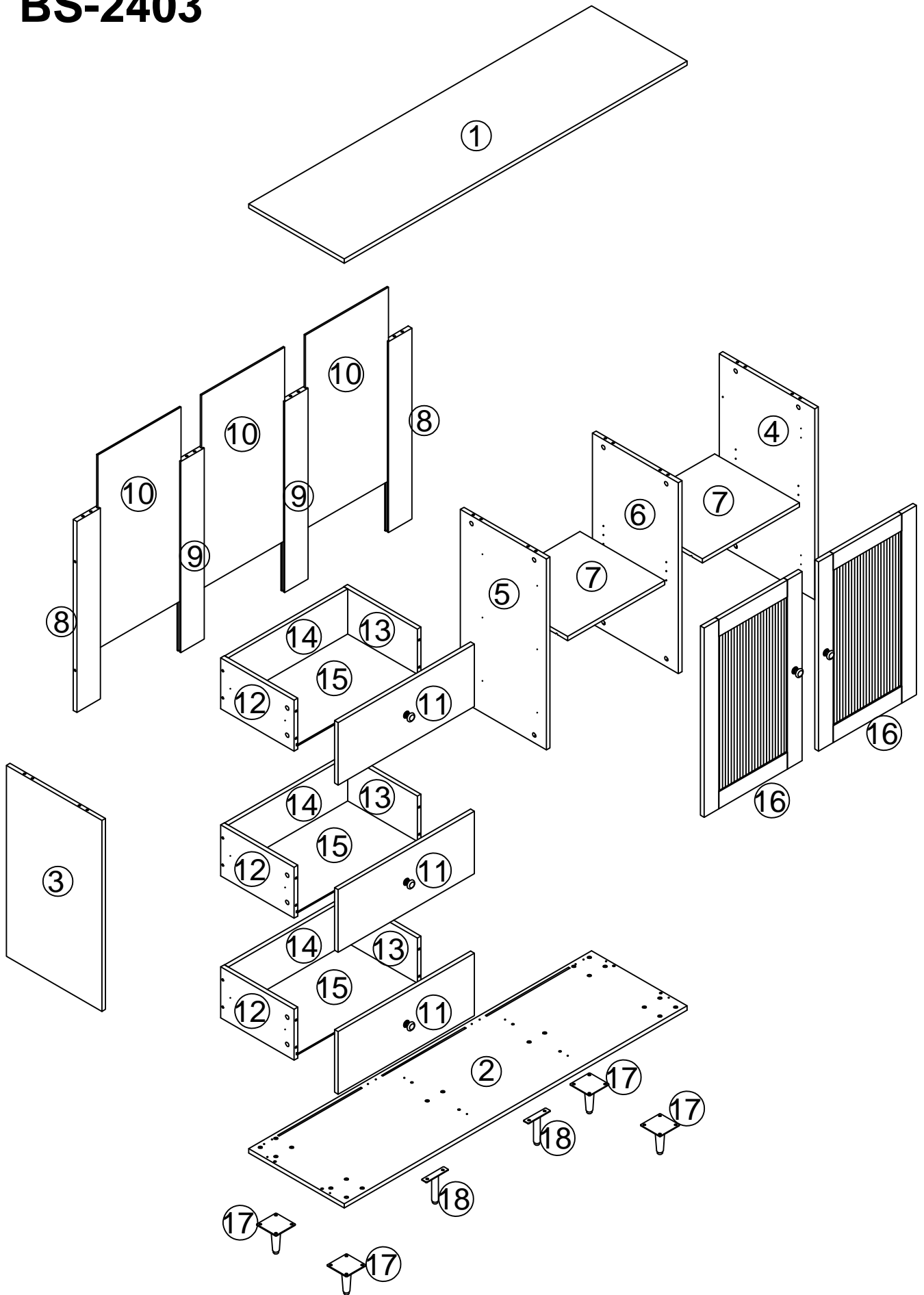


**Assembly Instructions**  
**ITEM# BS-2403**  
Sideboard

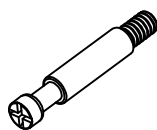


# BS-2403



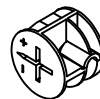
# HARDWARE-1

X49



(A)

X49



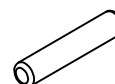
(B)

X69



(C)

X17



$\phi$  8x30

(D)

X56



$\phi$  3.5x14

(E)

X14



$\phi$  3.5x30

(F)

X14



$\phi$  3x20

(G)

X5



M4x20

(H)

X1



4mm

(I)

X21




M6x15

(J)

# HARDWARE-2

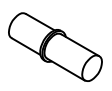
X21



Φ 6x12


(K)

X9




(L)

X14



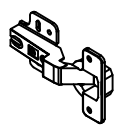
(M)

X5



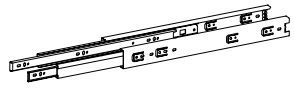
(N)

X4



(O)


X3



12"

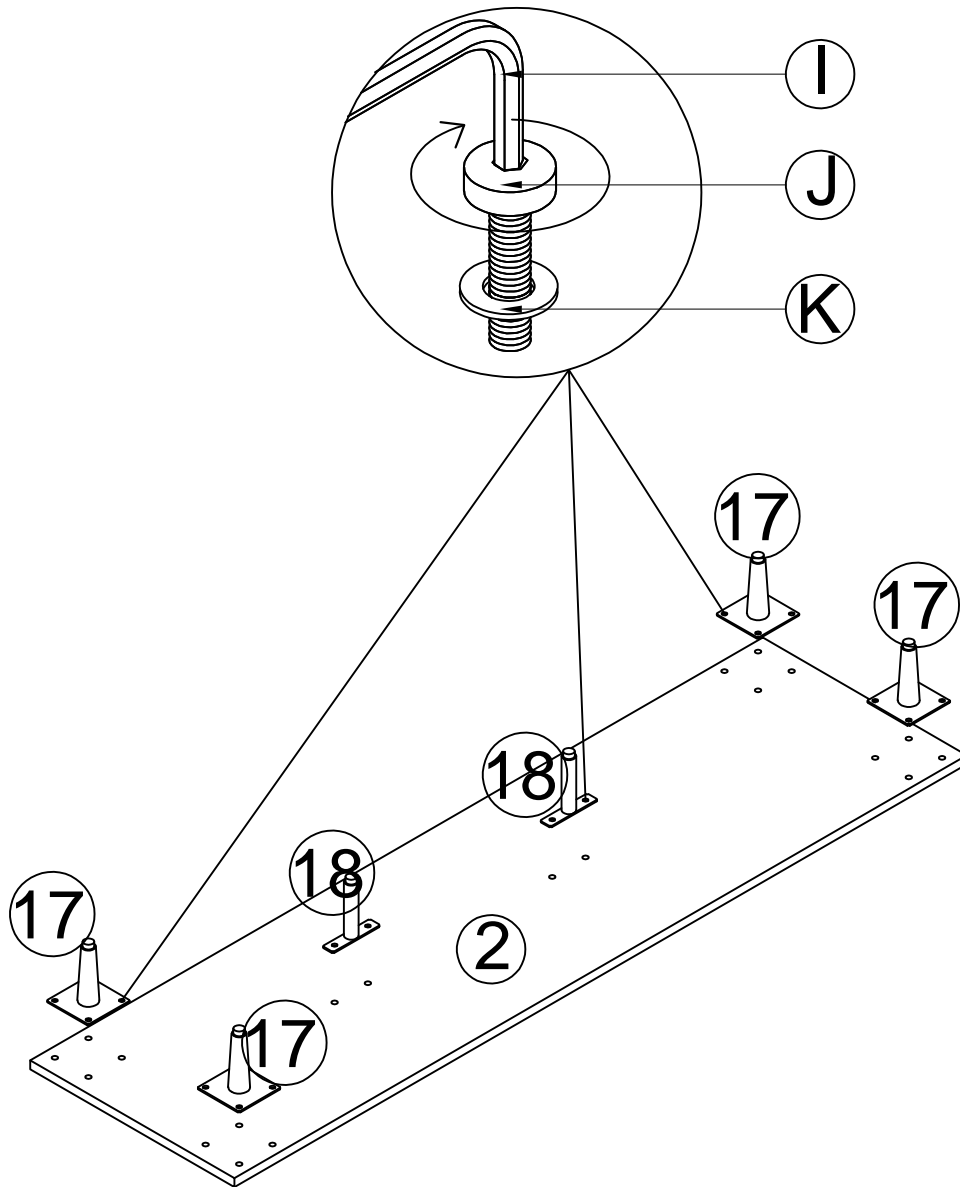
(P)

X2



(Q)

1



I



[x1]

J



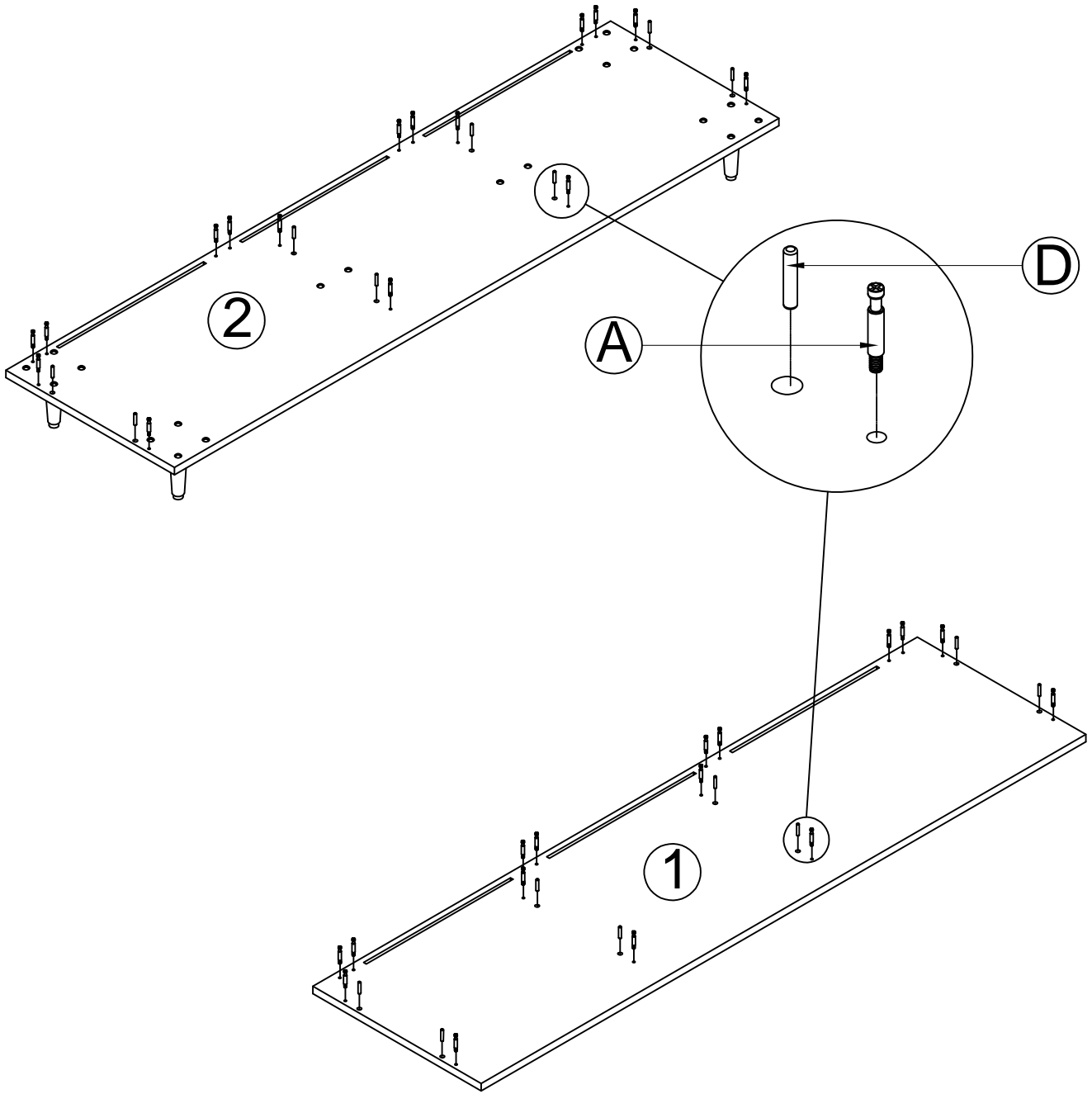
[x20]

K

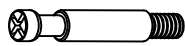


[x20]

2

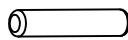


A



[x32]

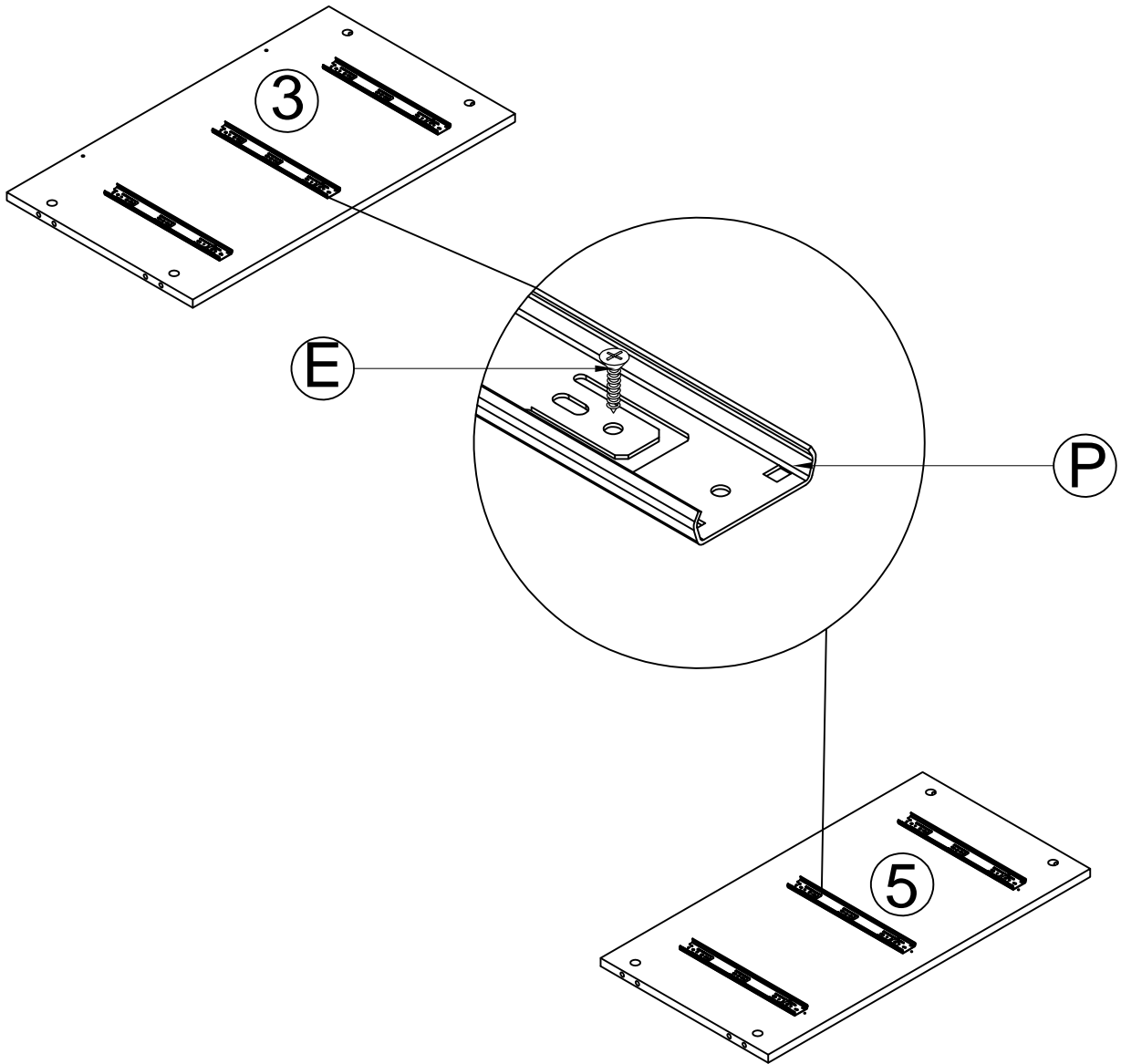
D



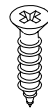
[x16]



3

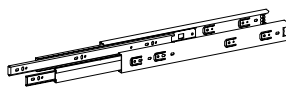


E



[x18]

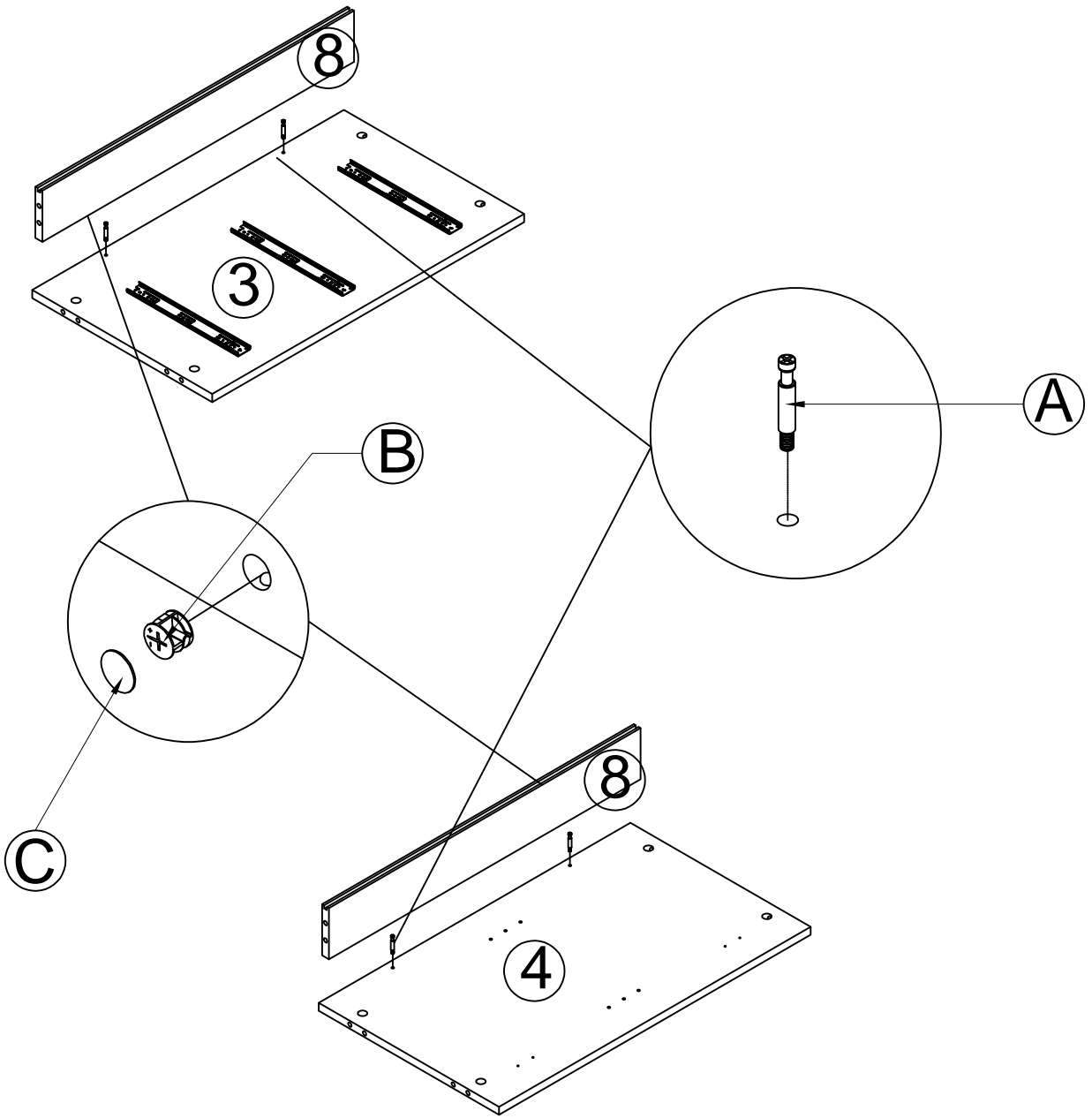
P



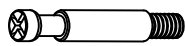
[x3]



4



A



[x4]

B



[x4]

C

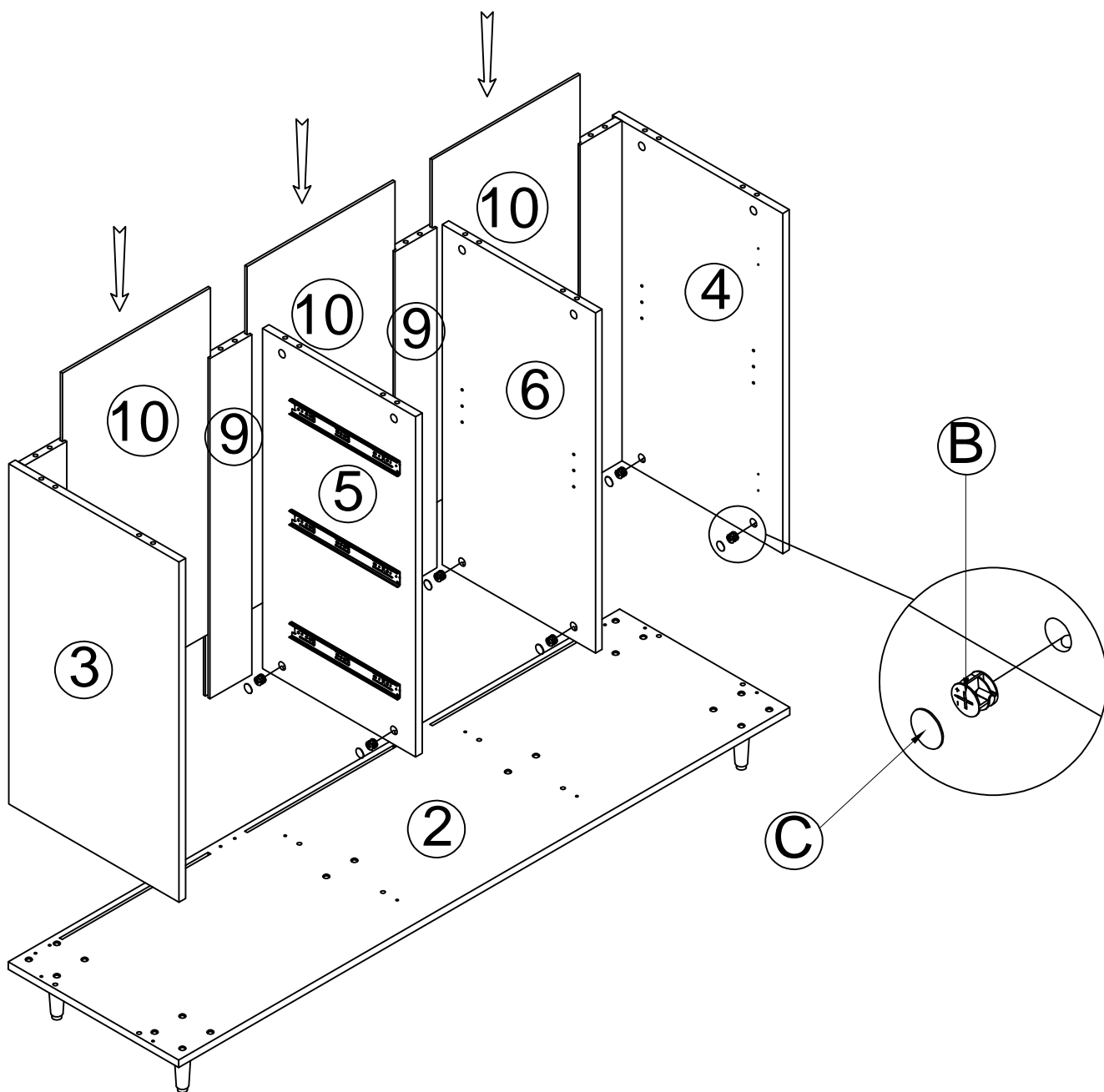


[x4]





5



B



[x16]

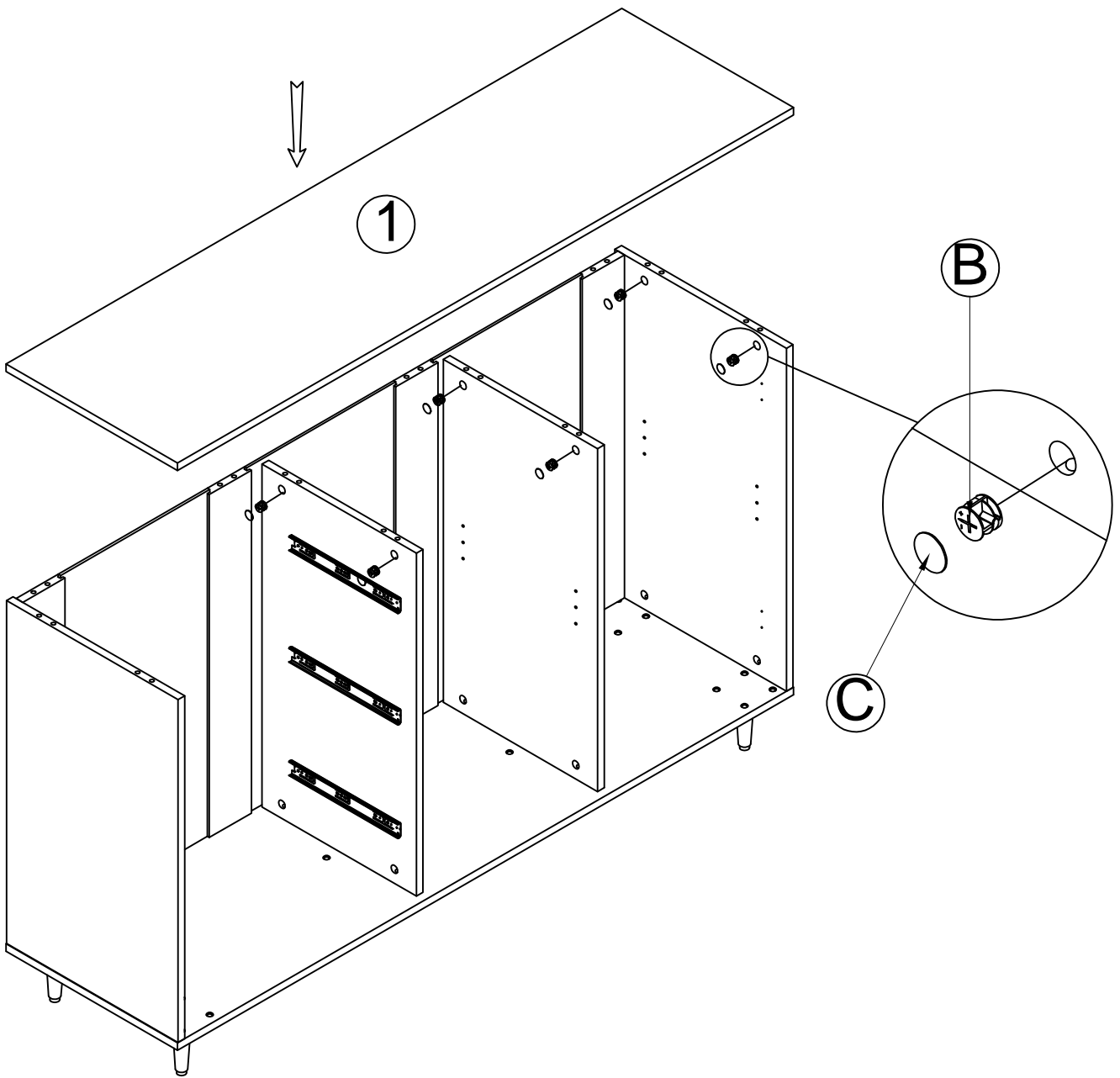
C



[x16]



6



**B**



[x16]

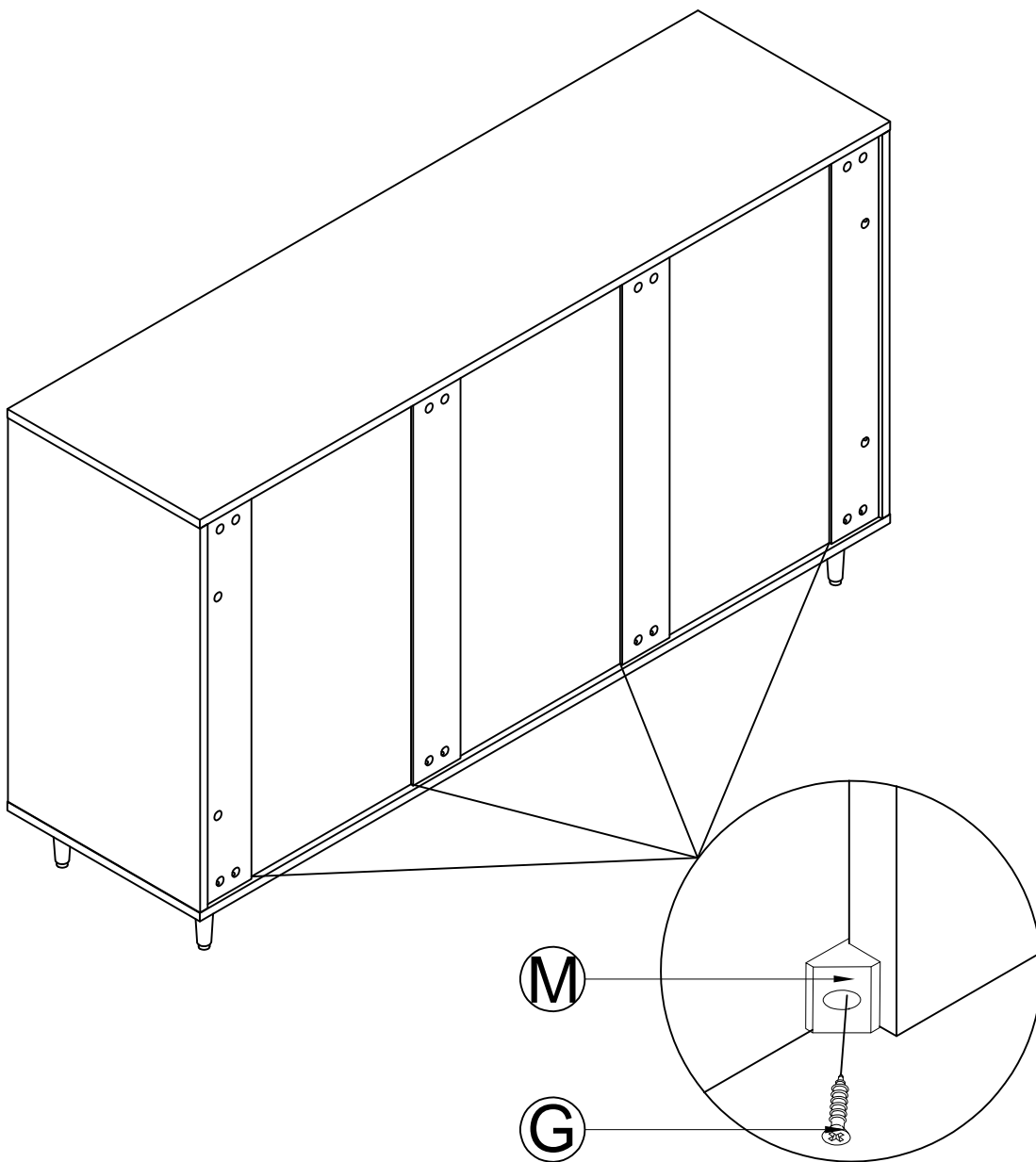
**C**



[x16]



7



G



[x12]

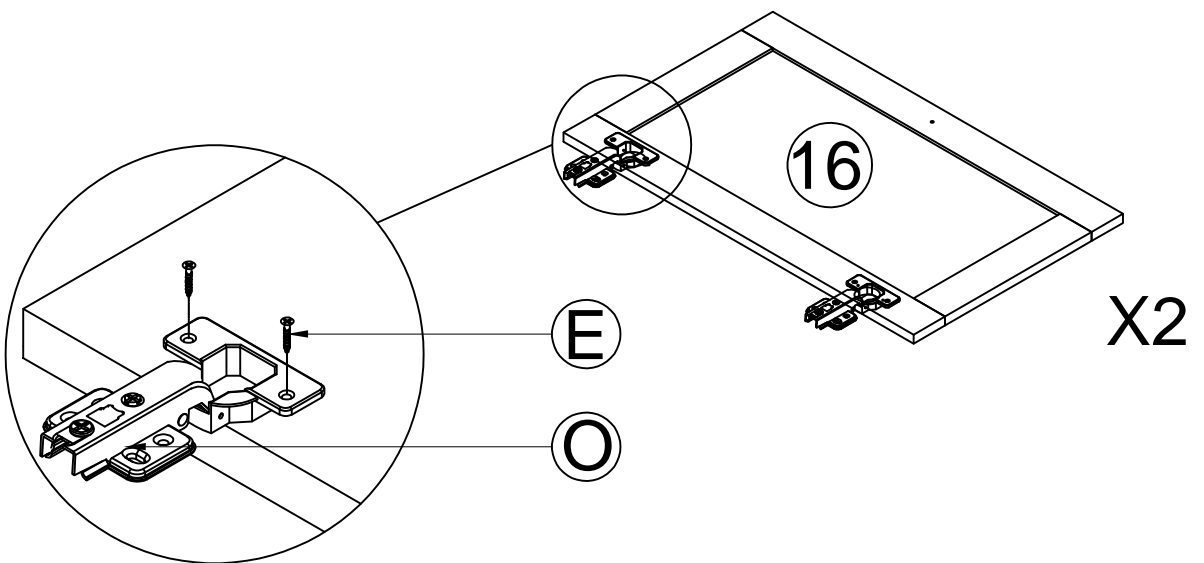
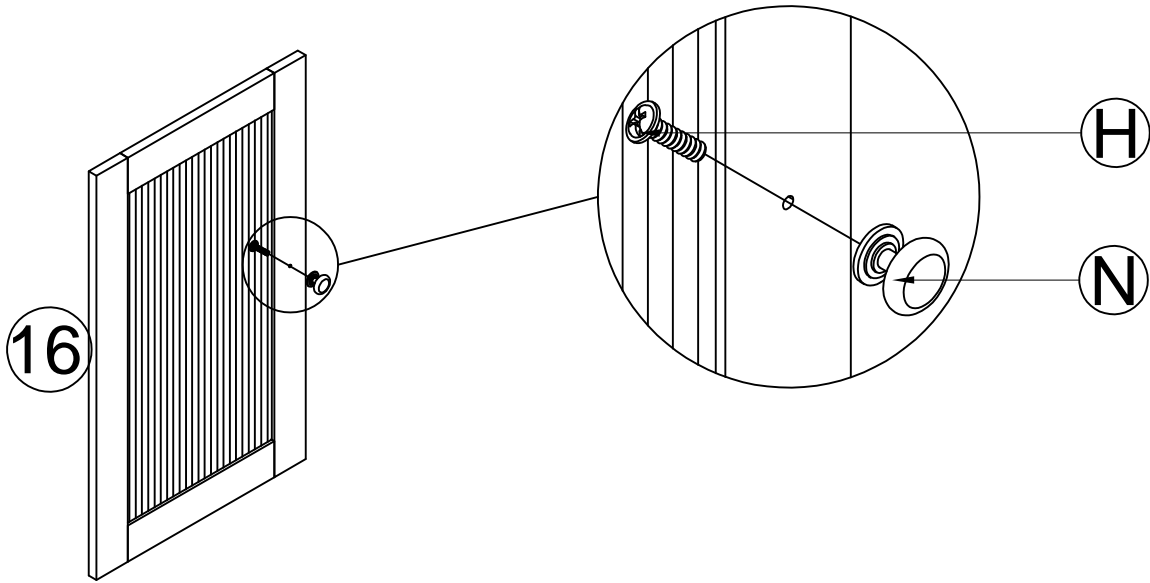
M



[x12]



8



E



[x8]

H



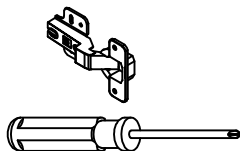
[x2]

N

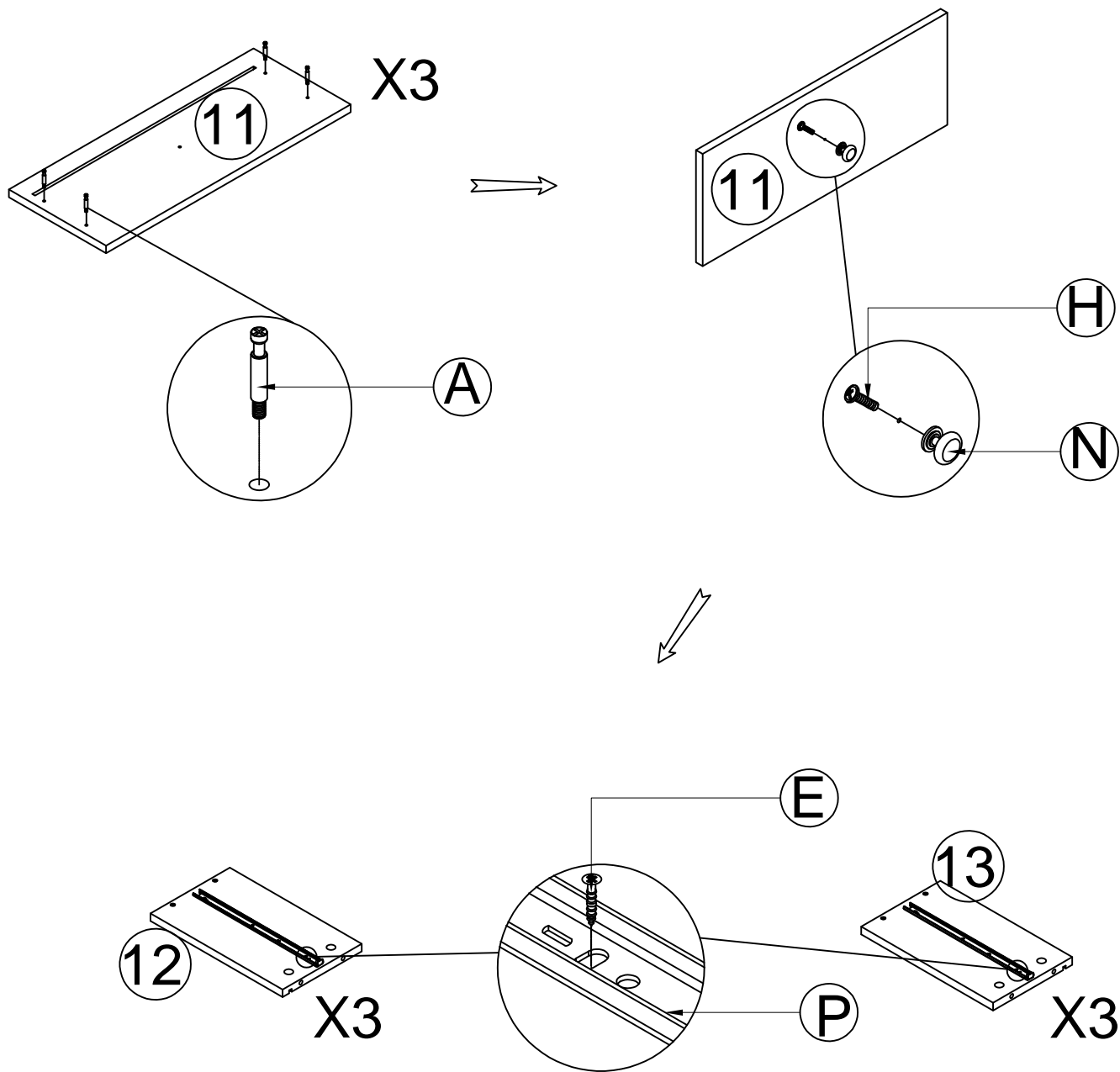


[x2]

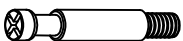
O



[x4]



(A)



[x12]

(E)



[x12]

(H)



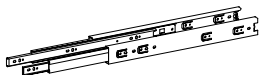
[x3]

(N)



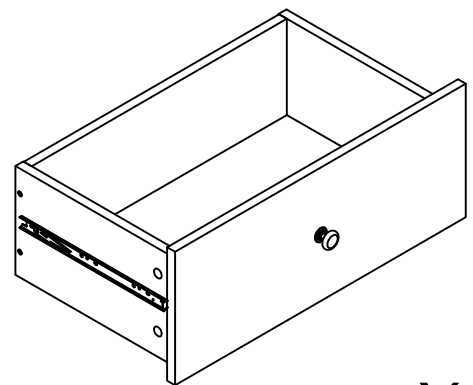
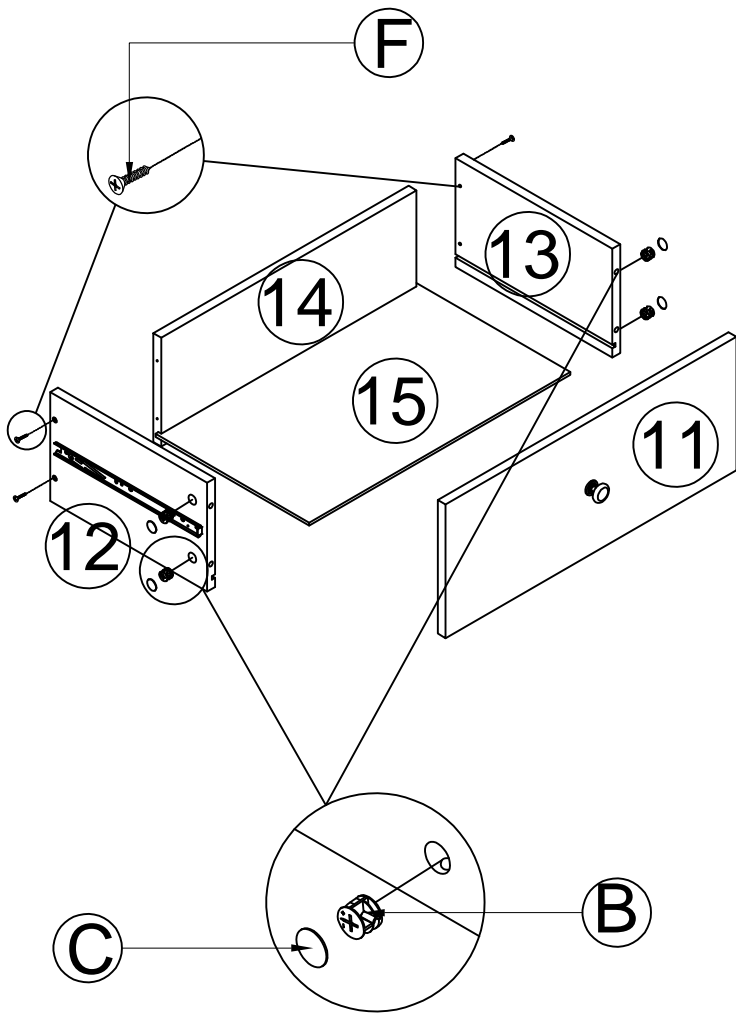
[x3]

(P)



[x3]

10



X3

B



[x12]

C



[x12]

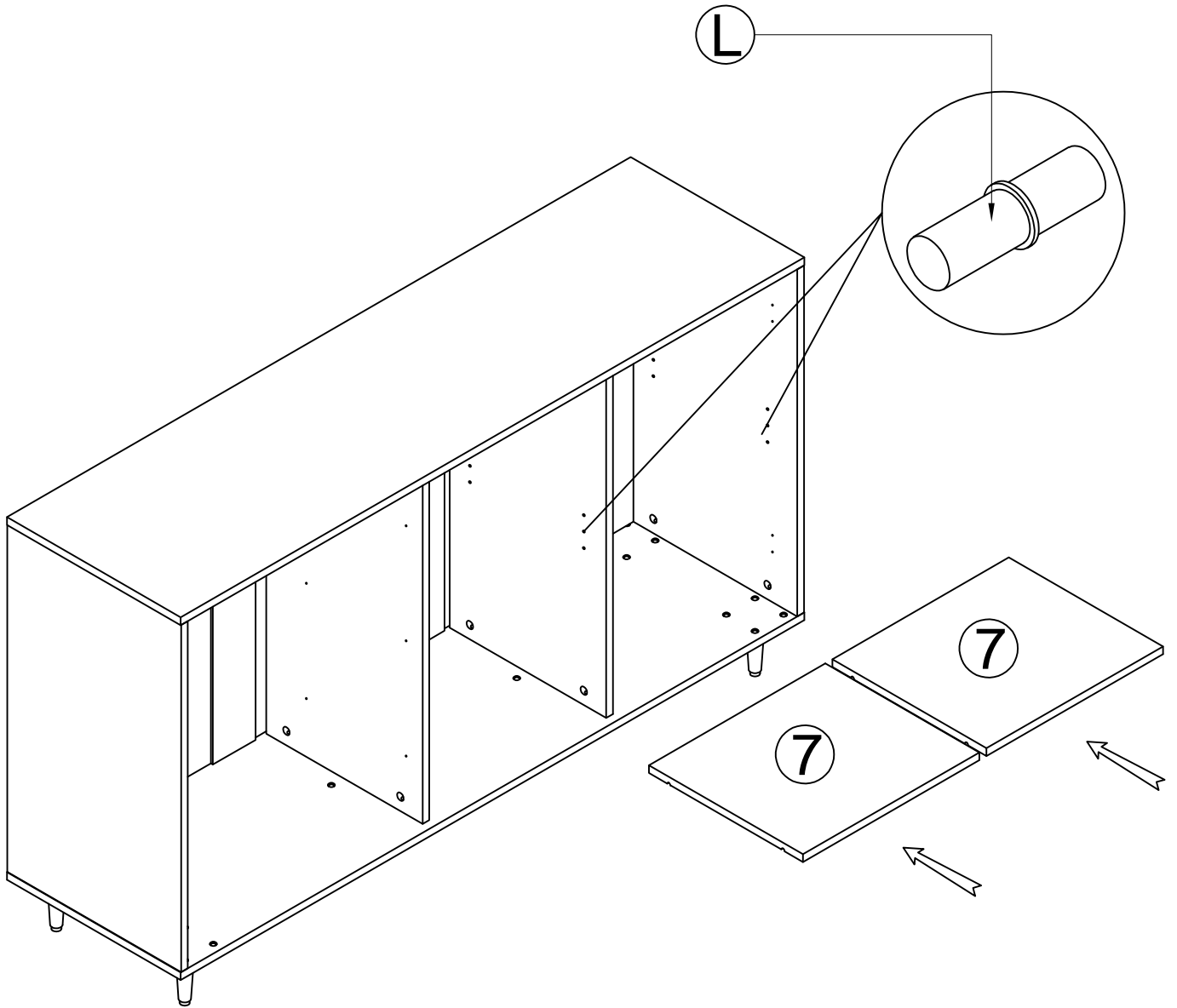
F



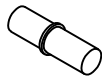
[x12]



11

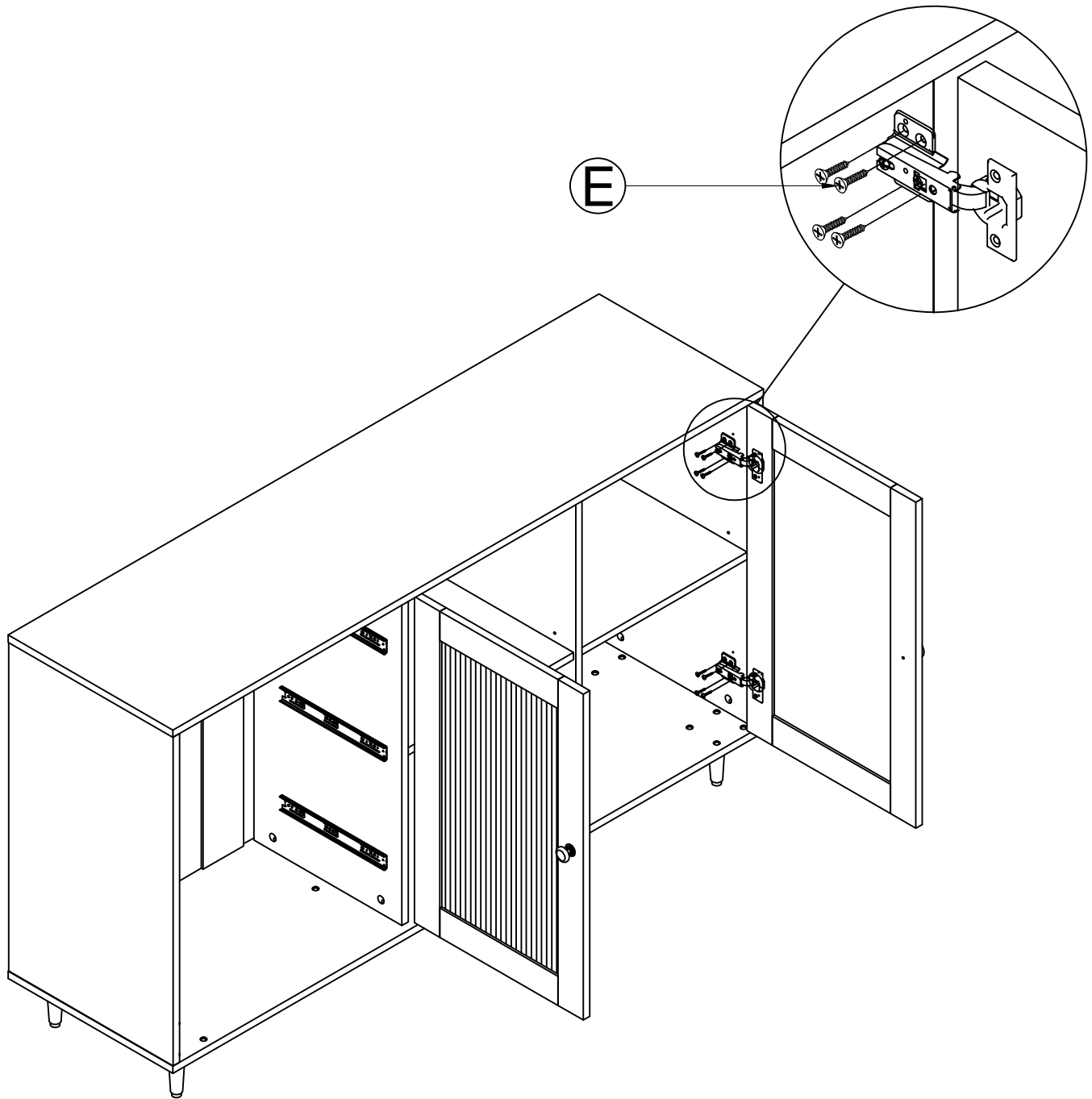


L



[x8]

12



E

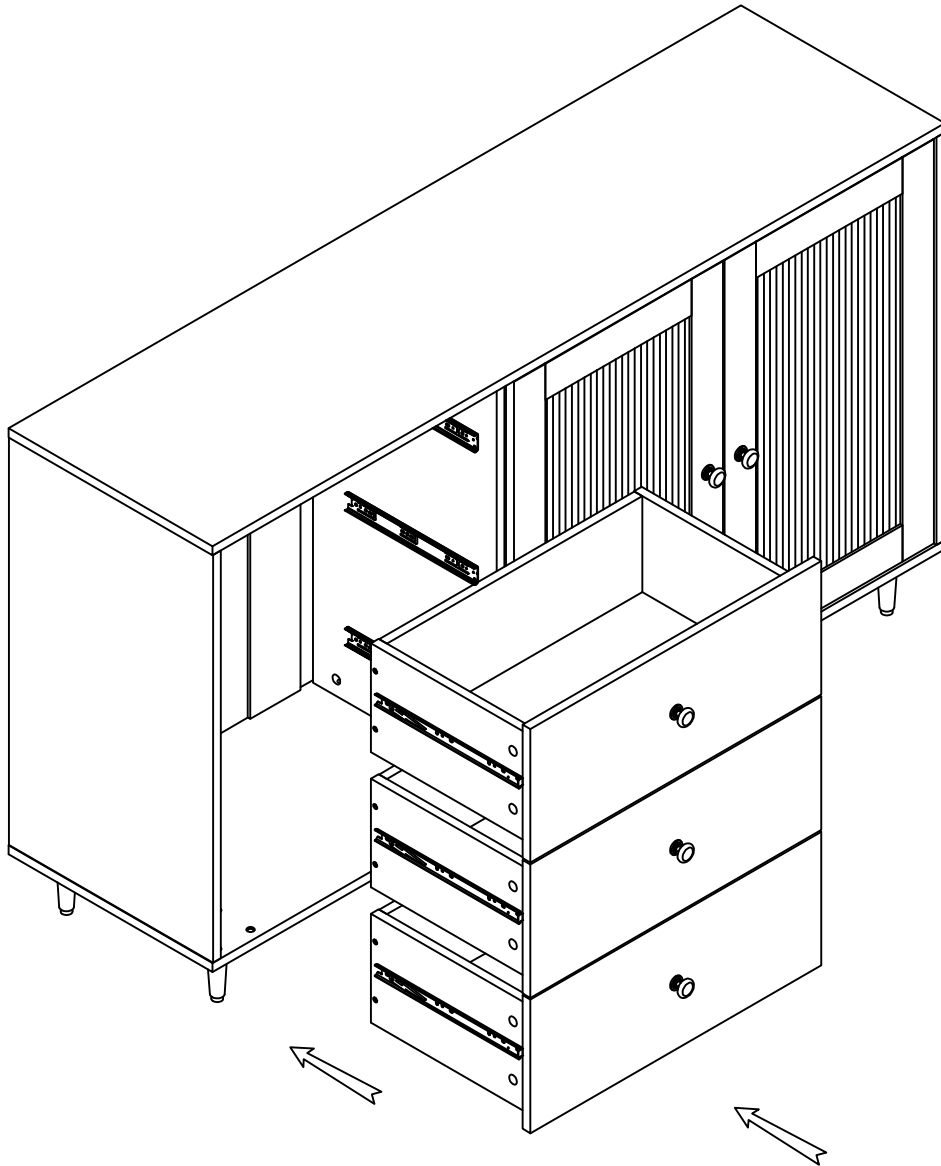


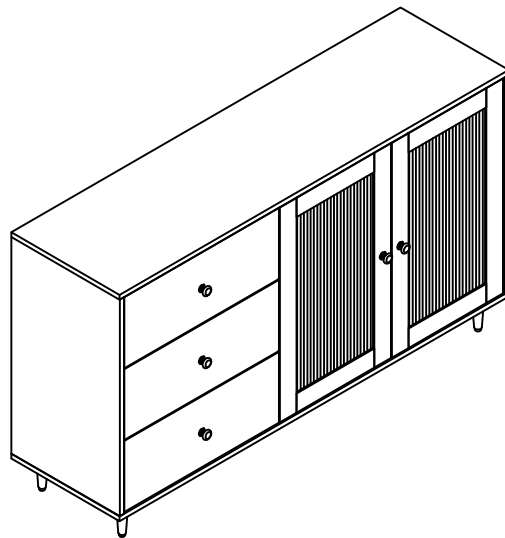
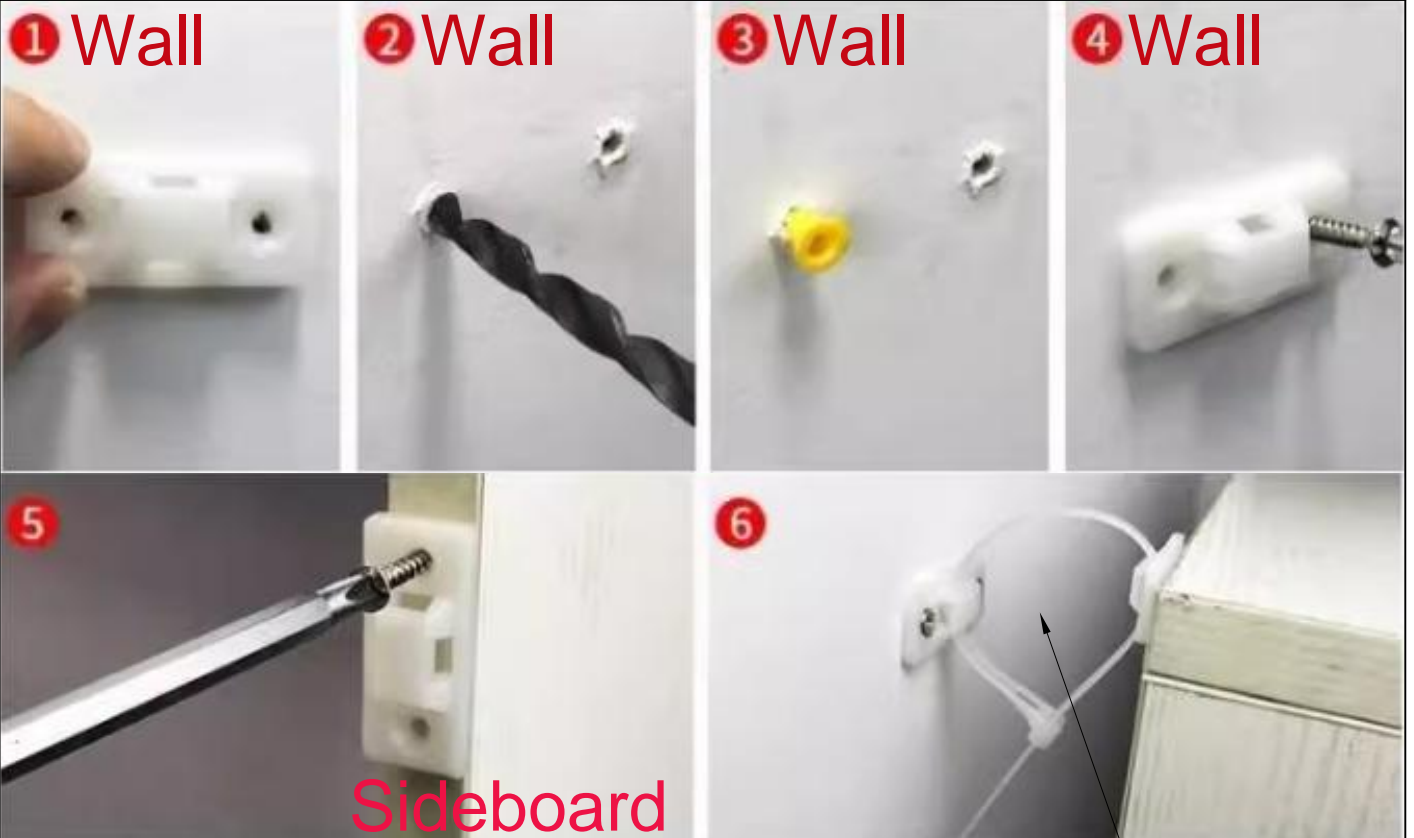
[x16]





13





Q

Q



[x2]

