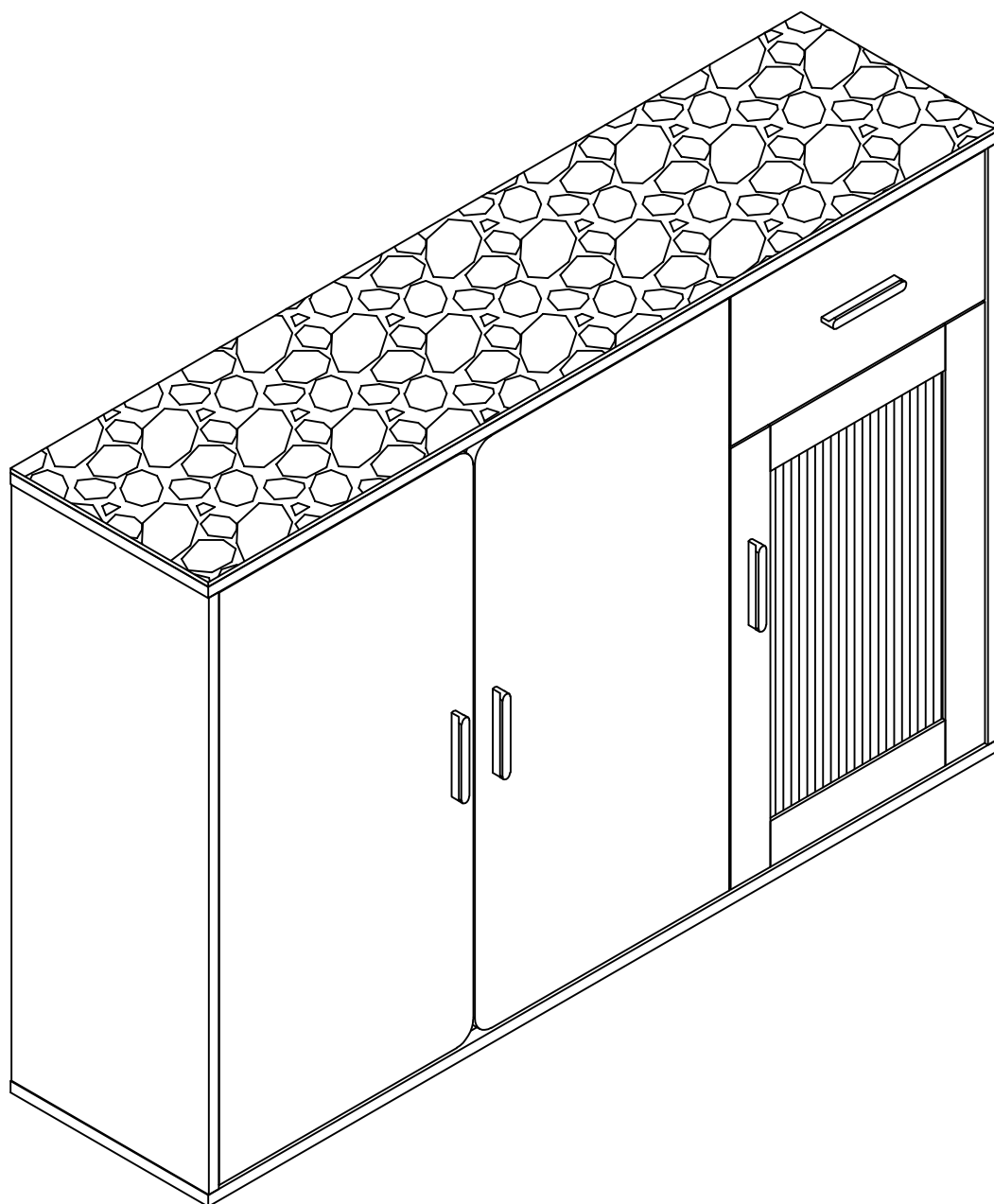
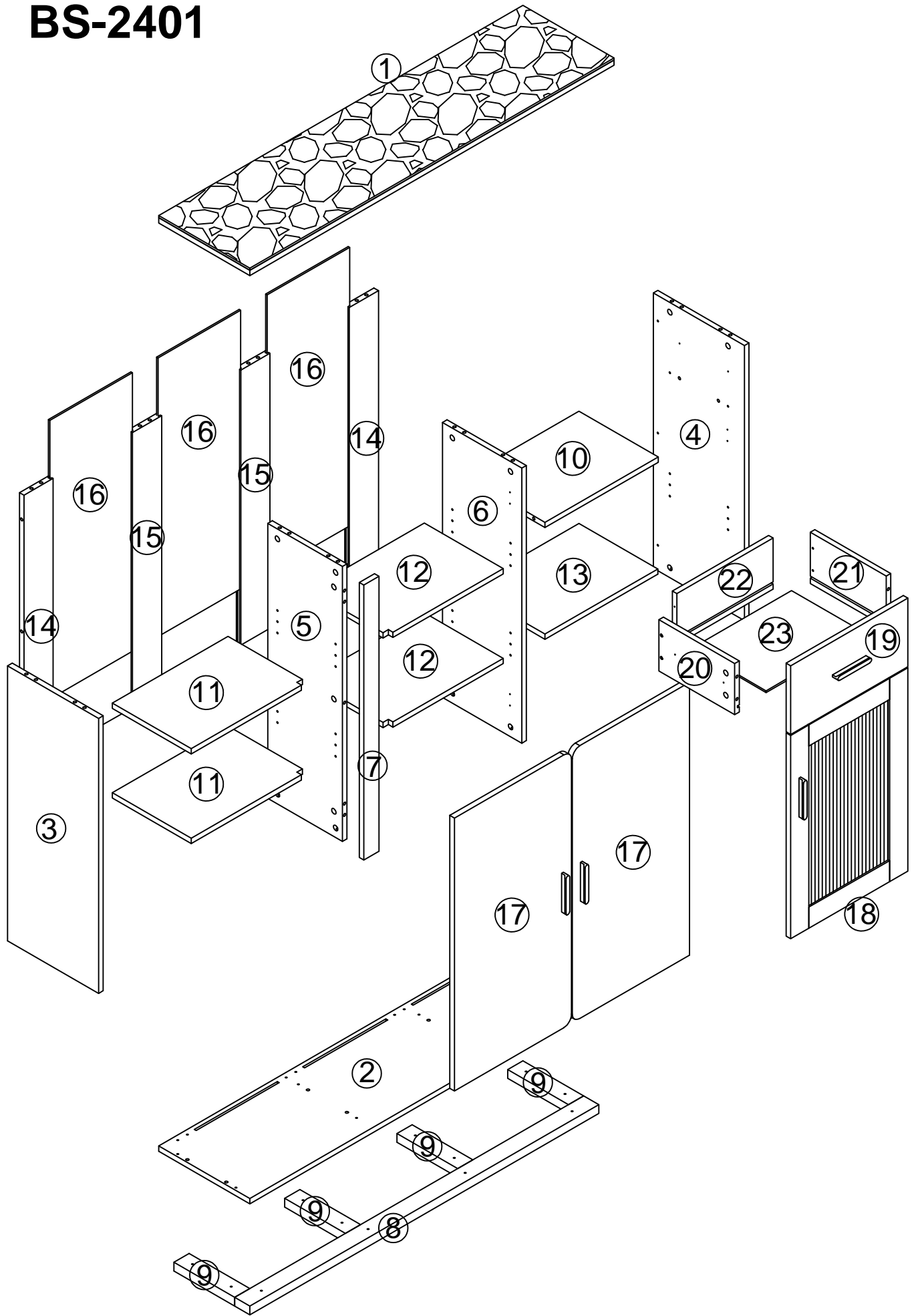


Assembly Instructions
ITEM# BS-2401
Sideboard

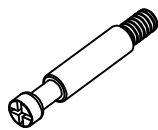


BS-2401



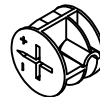
HARDWARE-1

X50



(A)

X50



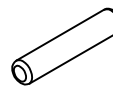
(B)

X50



(C)

X23



ϕ 8x30

(D)

X48



ϕ 3.5x14

(E)

X18



ϕ 3.5x30

(F)

X14



ϕ 3x20

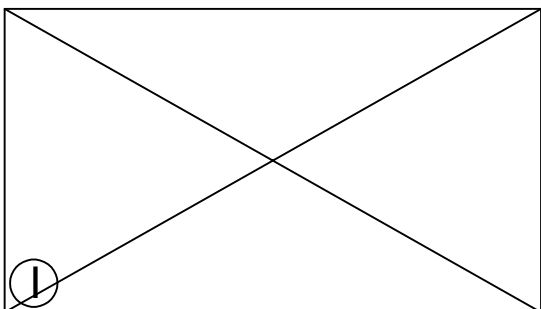
(G)

X8

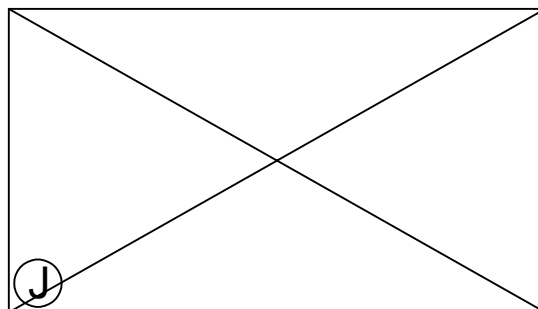


M4x18

(H)

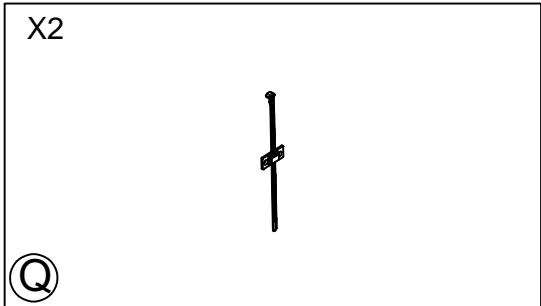
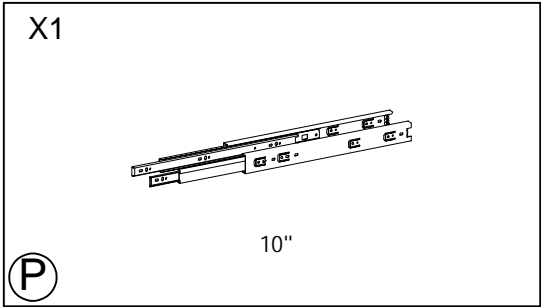
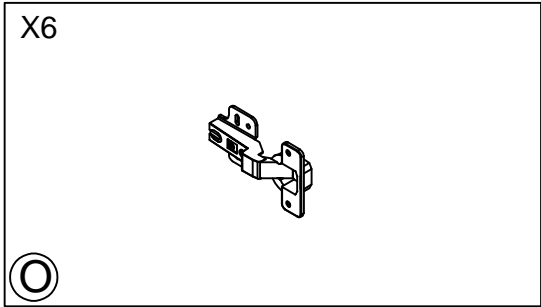
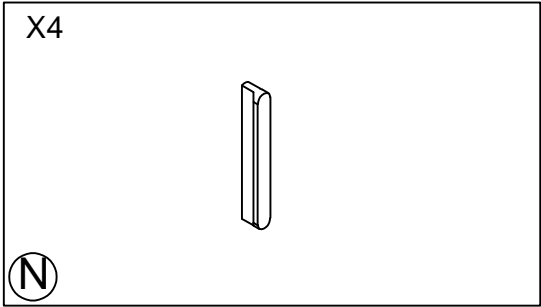
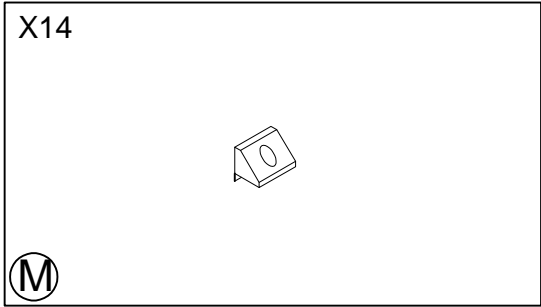
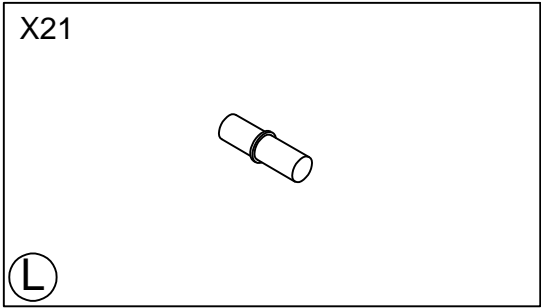
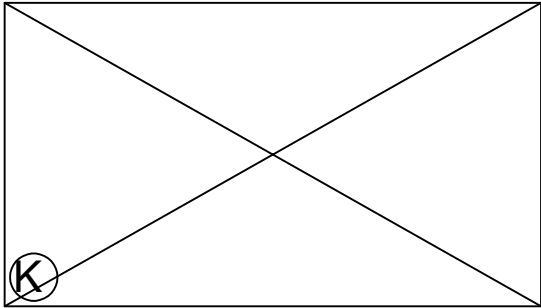


(I)

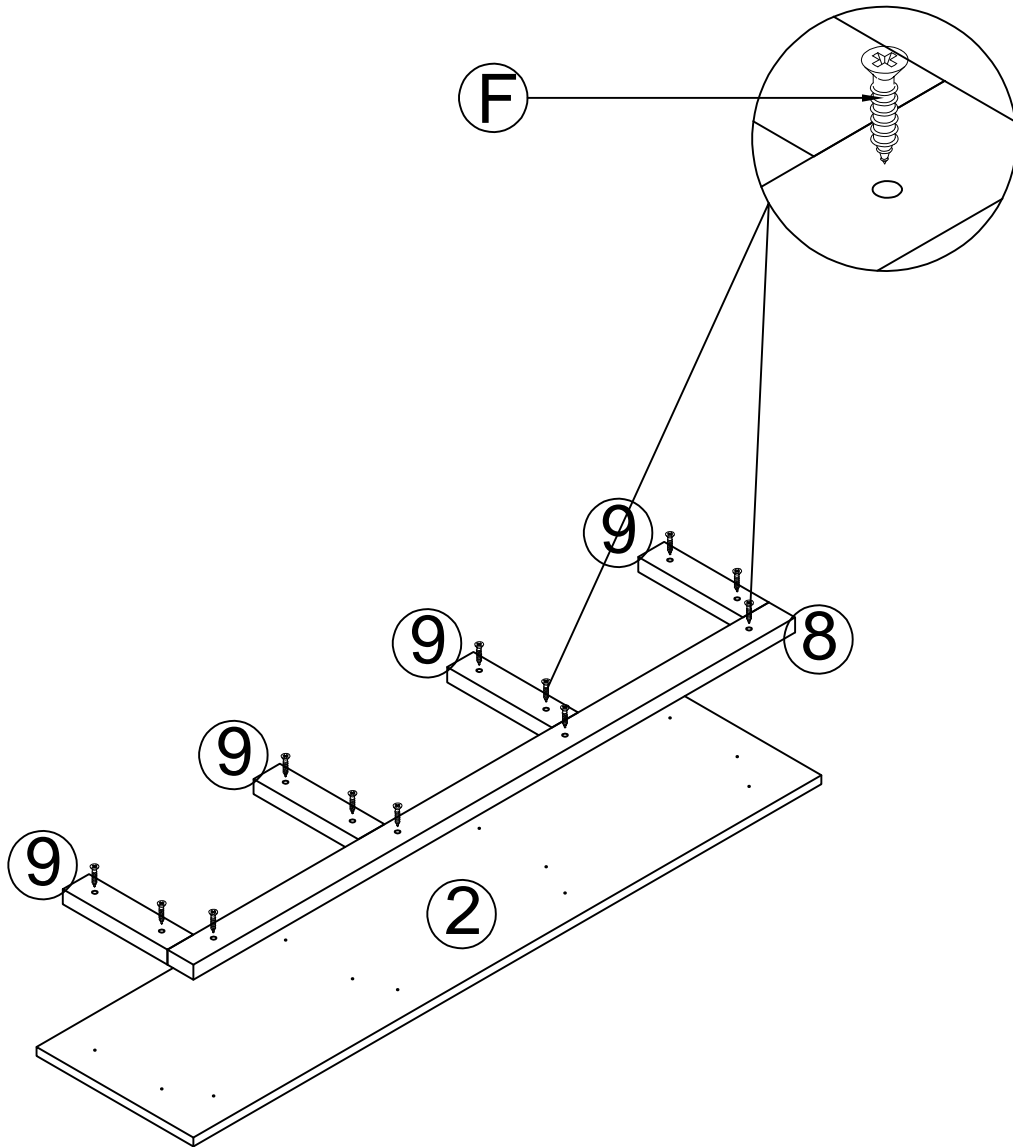


(J)

HARDWARE-2



1



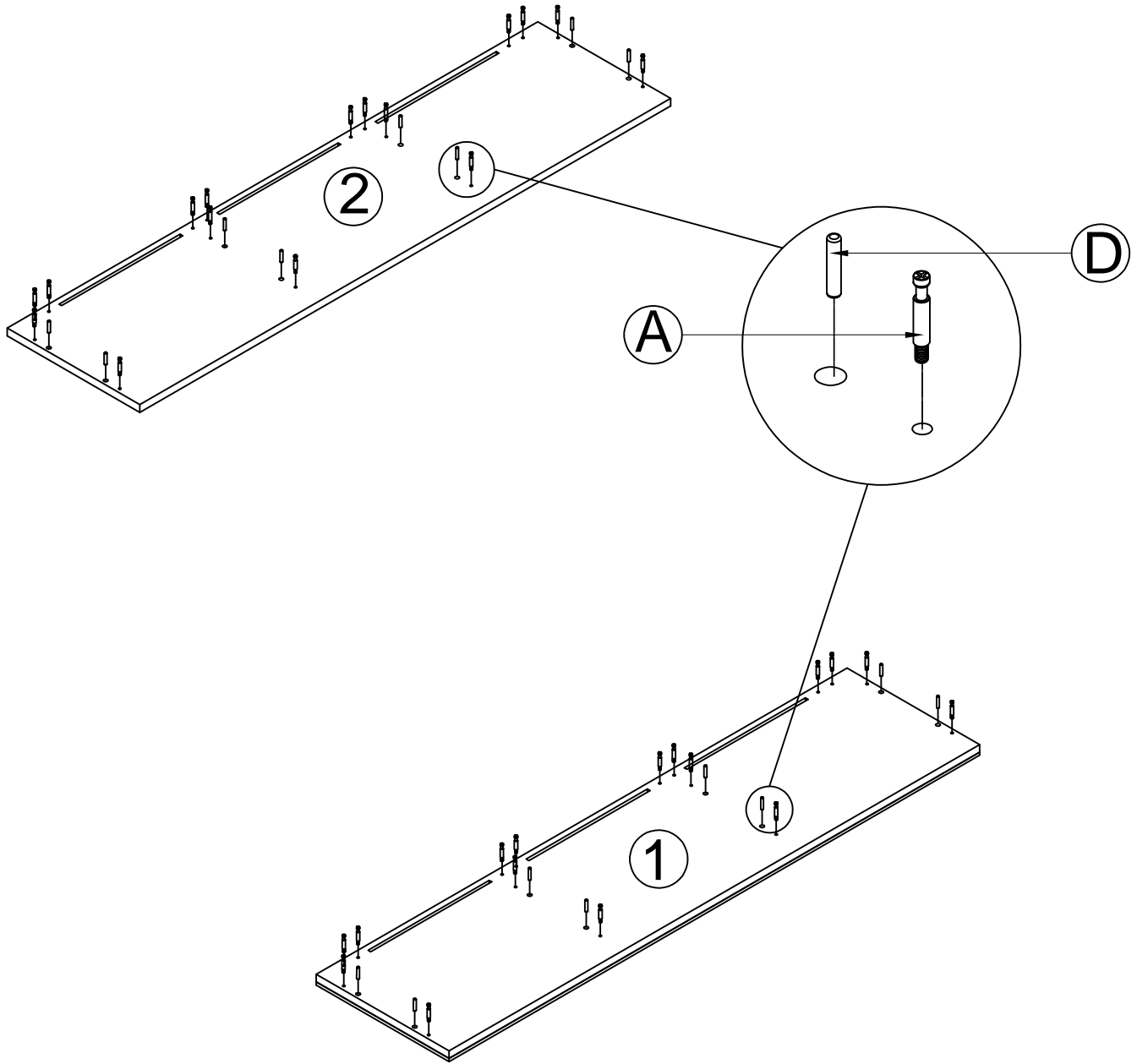
F



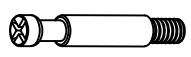
[x12]



2

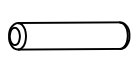


(A)



[x32]

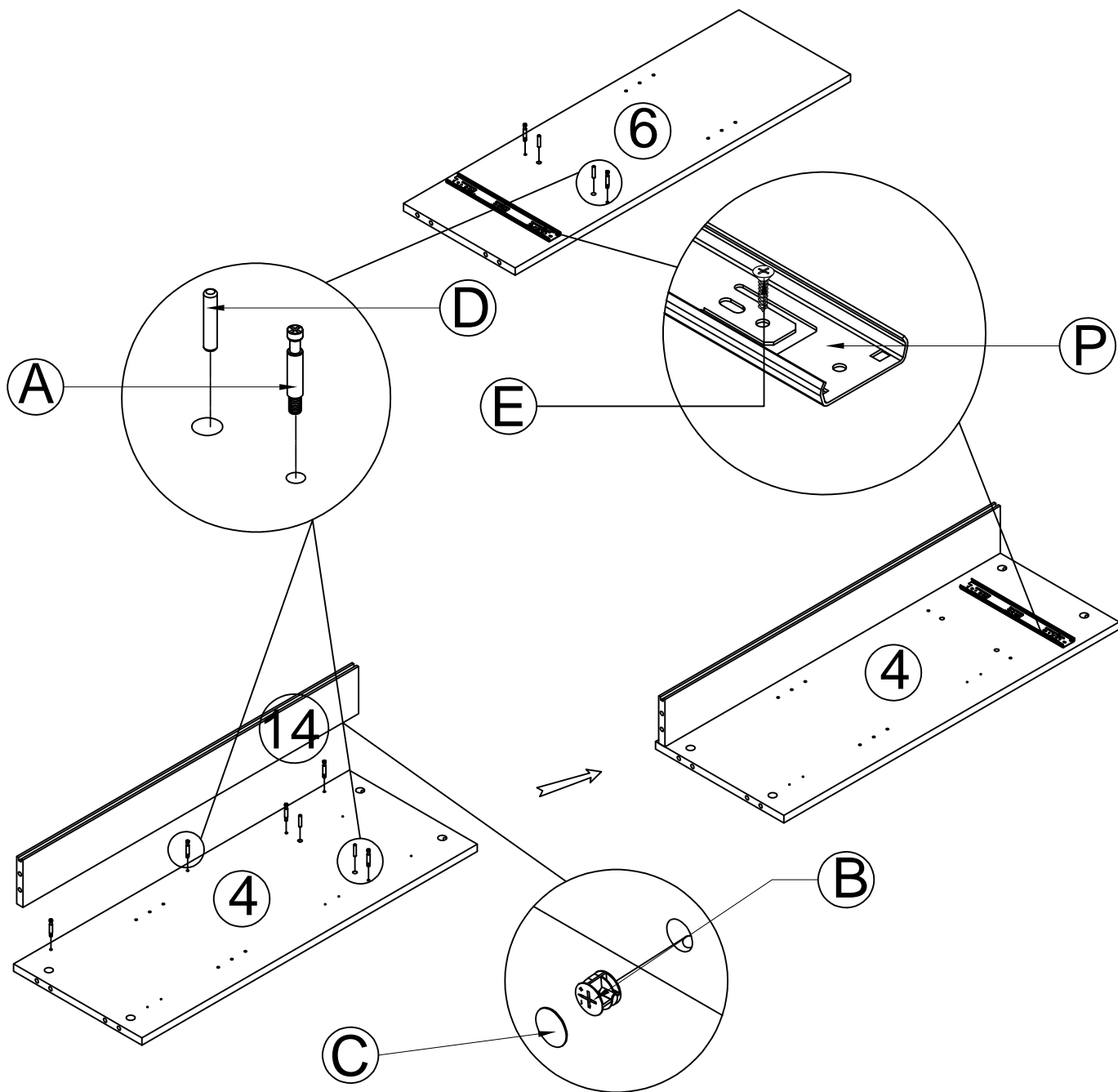
(D)



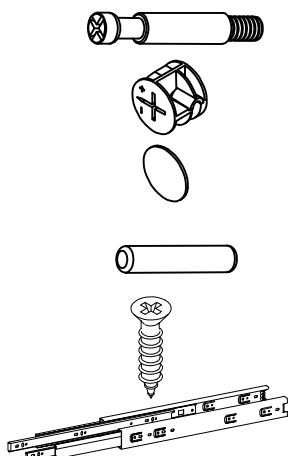
[x16]



3

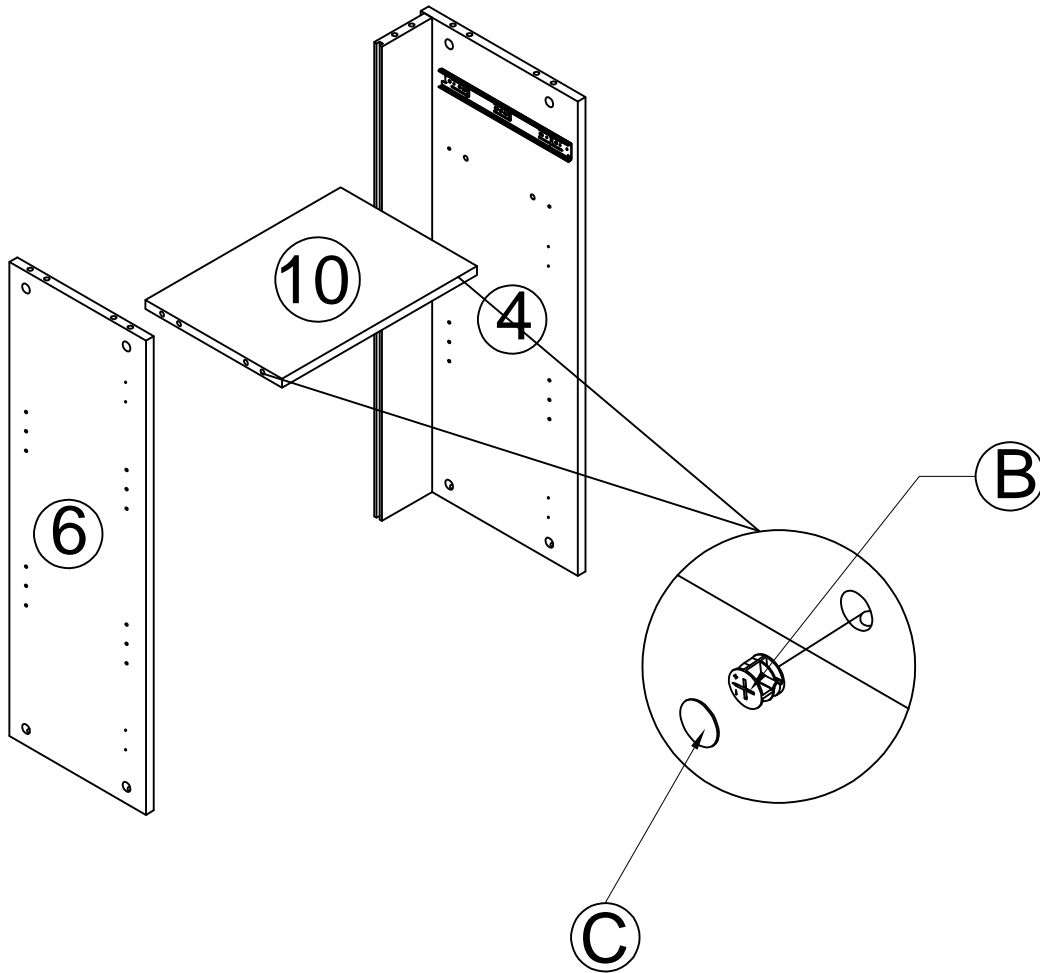


A
B
C
D
E
P



[x7]
[x3]
[x3]
[x4]
[x6]
[x1]

4



B



[x4]

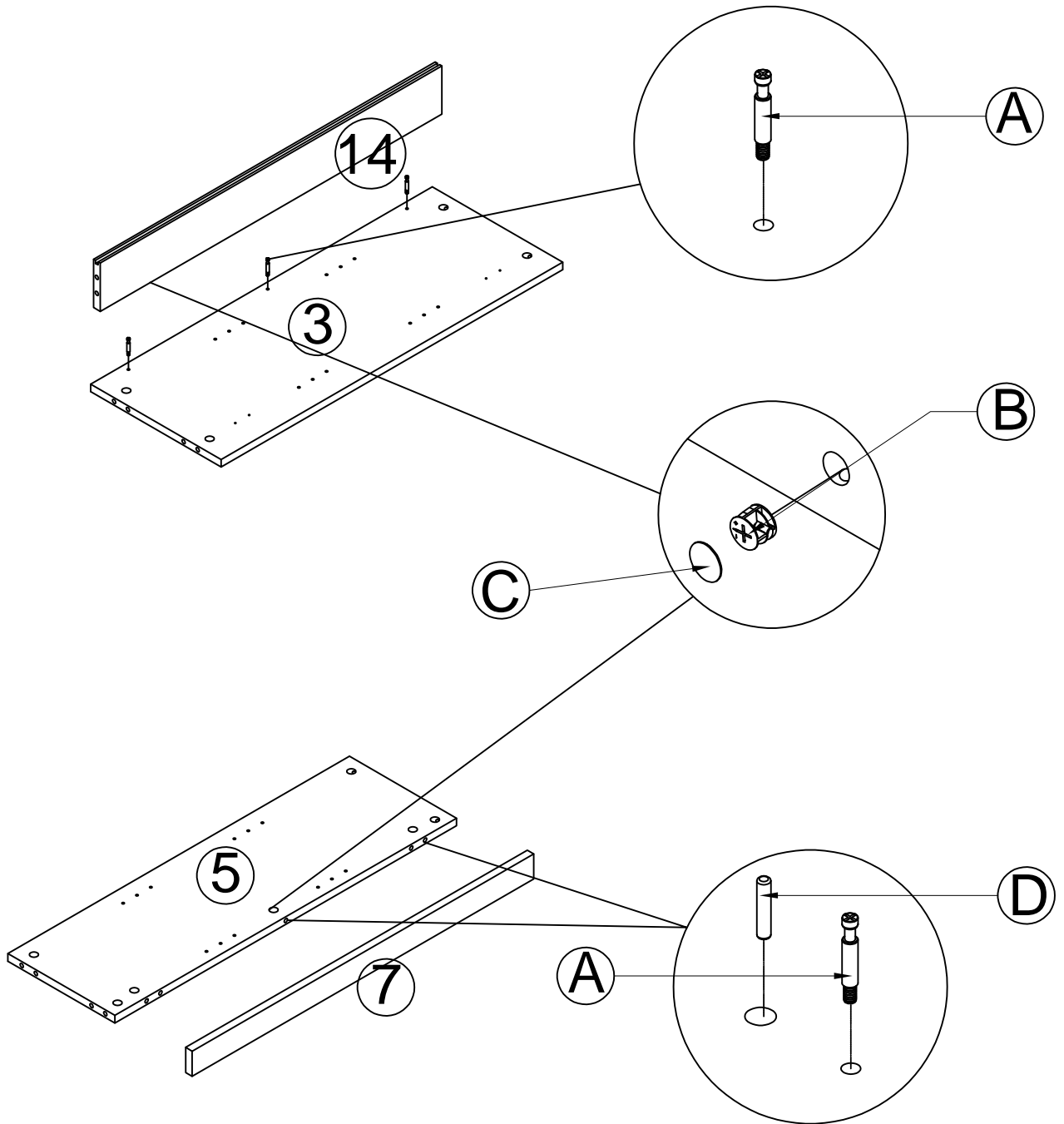
C



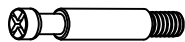
[x4]



5



A



[x6]

B



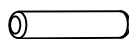
[x6]

C



[x6]

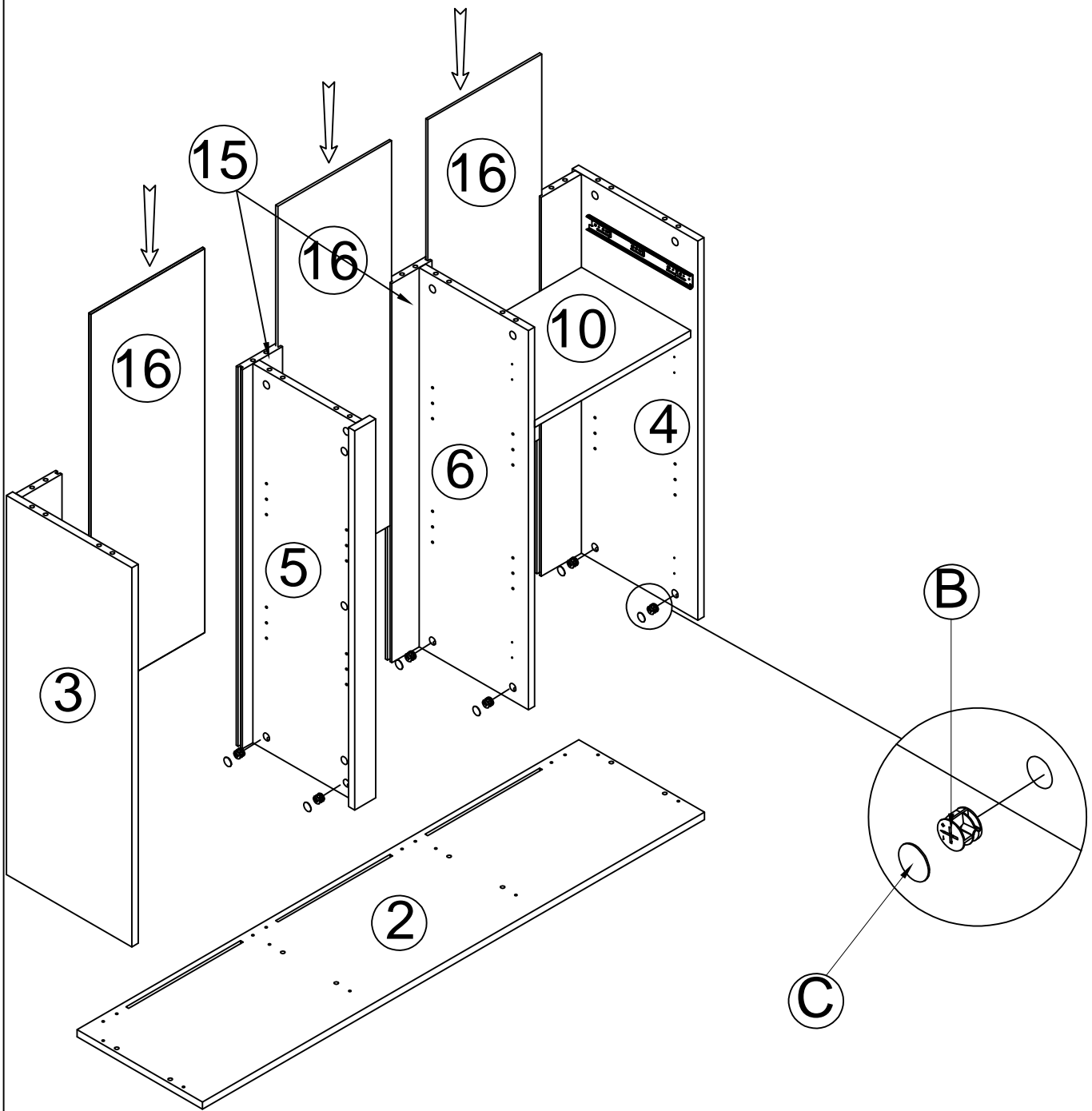
D



[x2]



6



B



[x16]

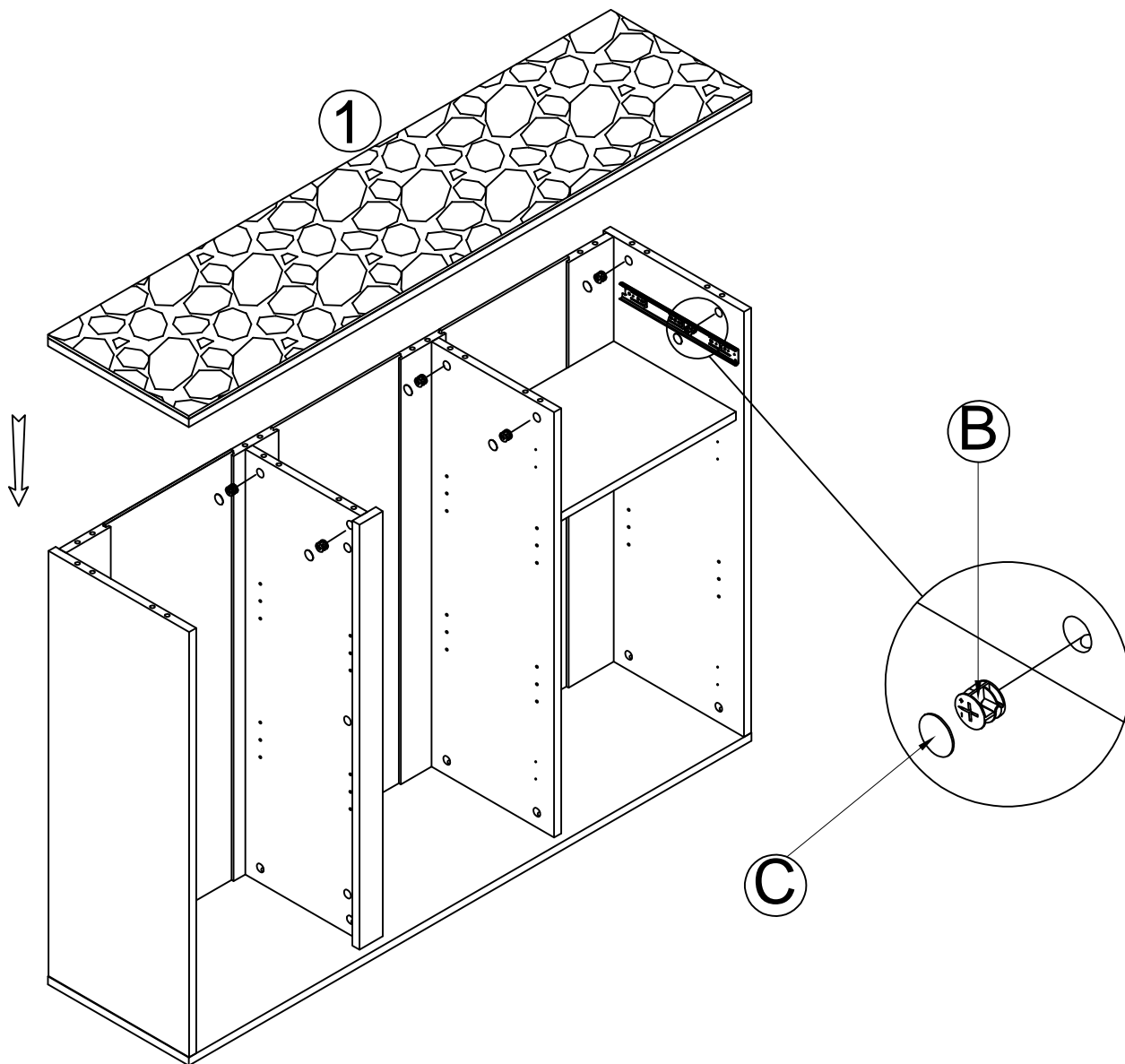
C



[x16]



7



B



[x16]

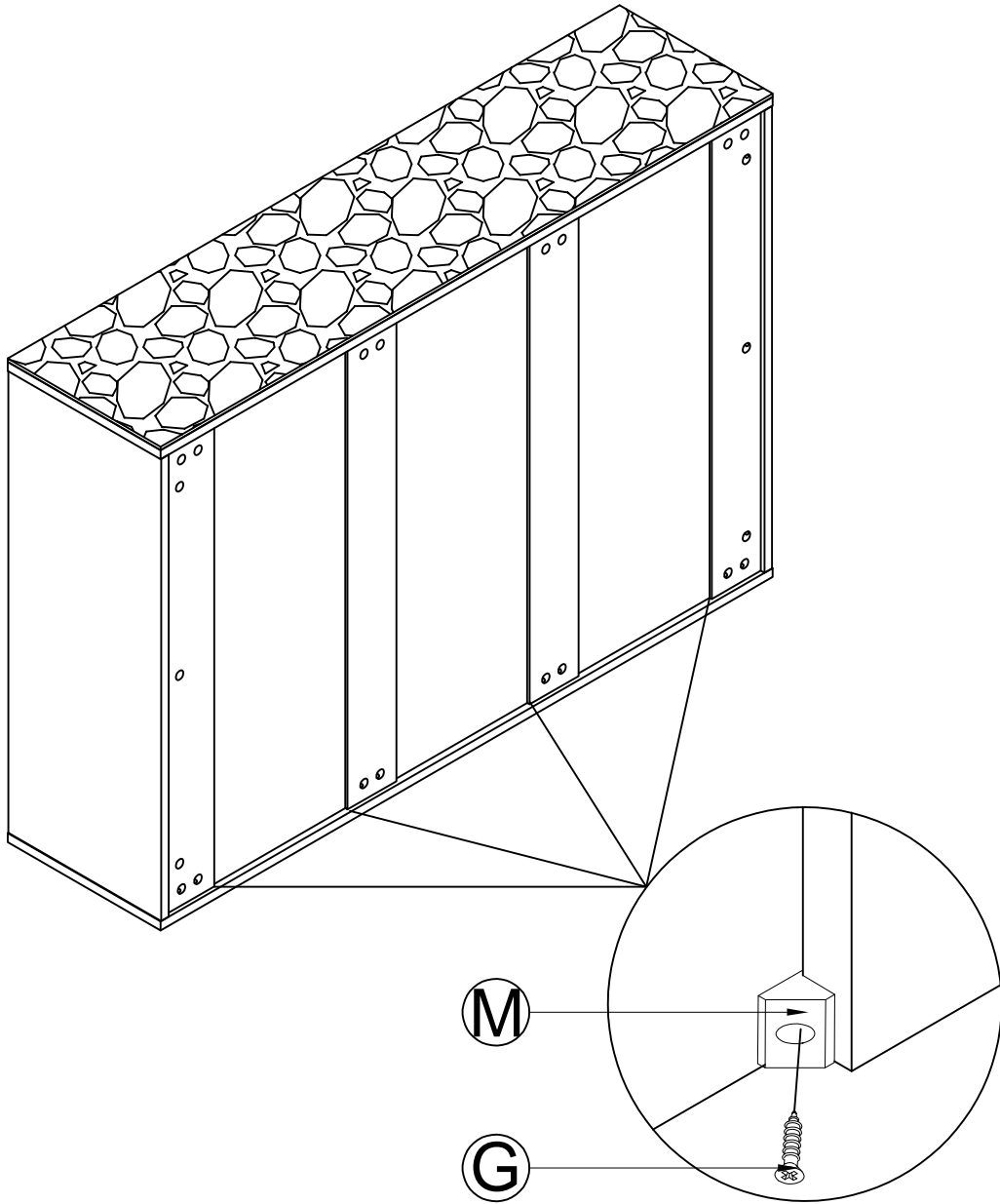
C



[x16]



8



G



[x12]

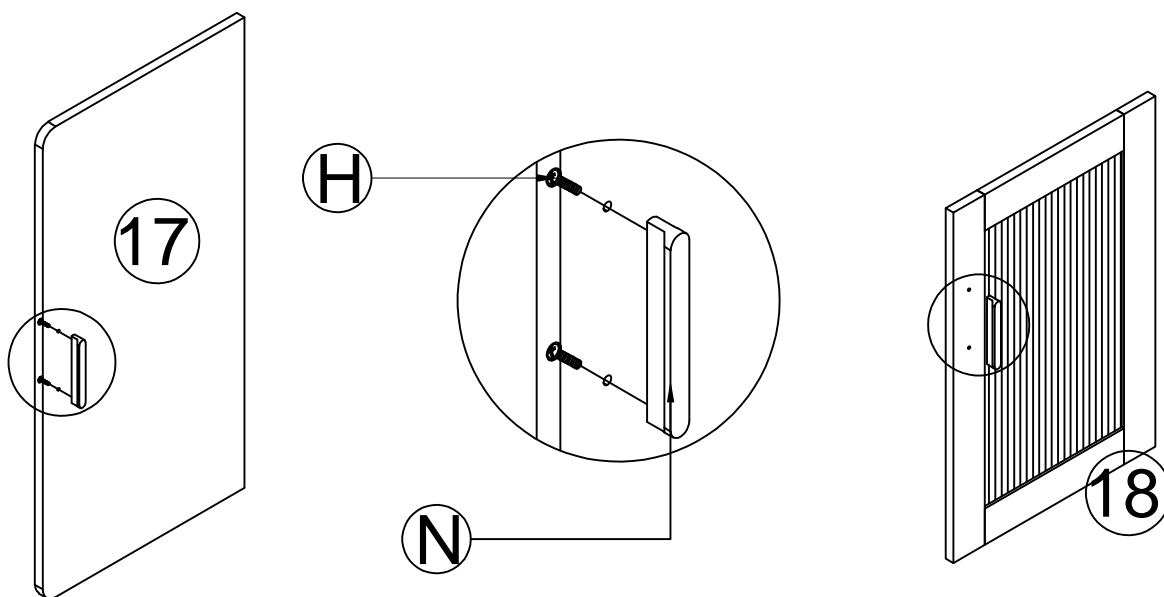
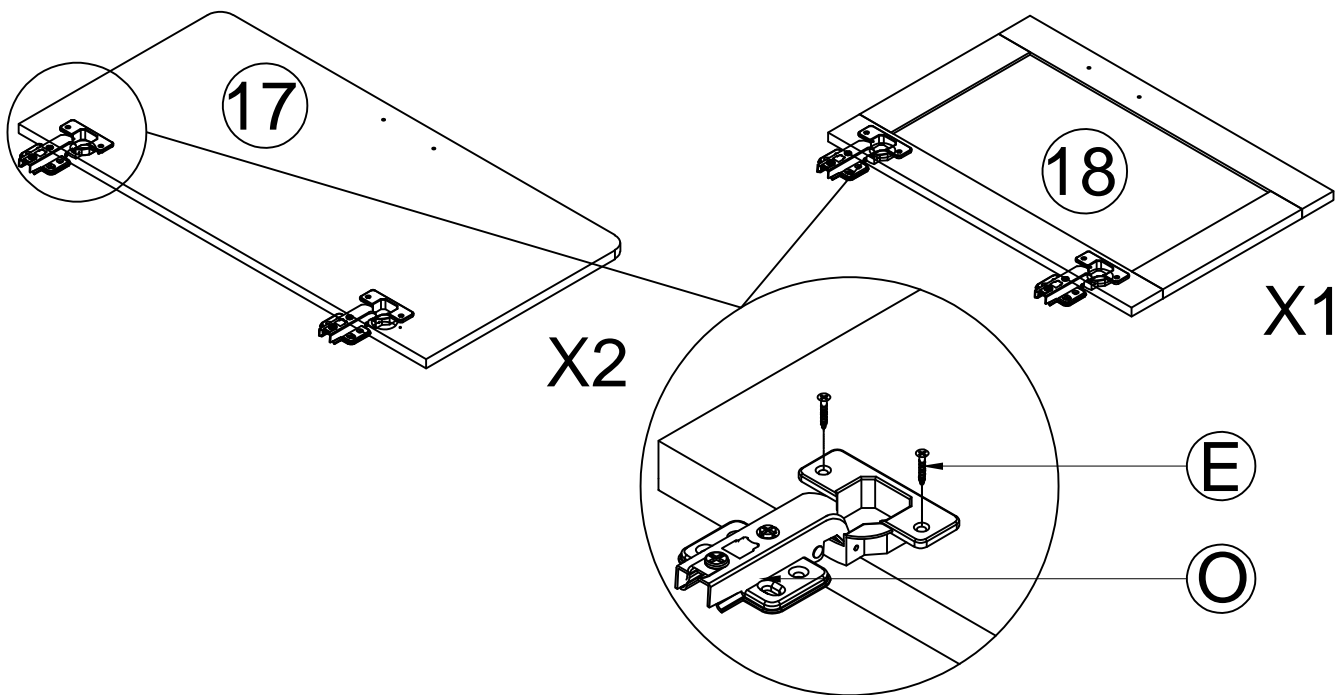
M



[x12]



9

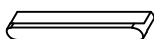
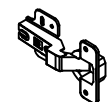


(E)

(O)

(H)

(N)



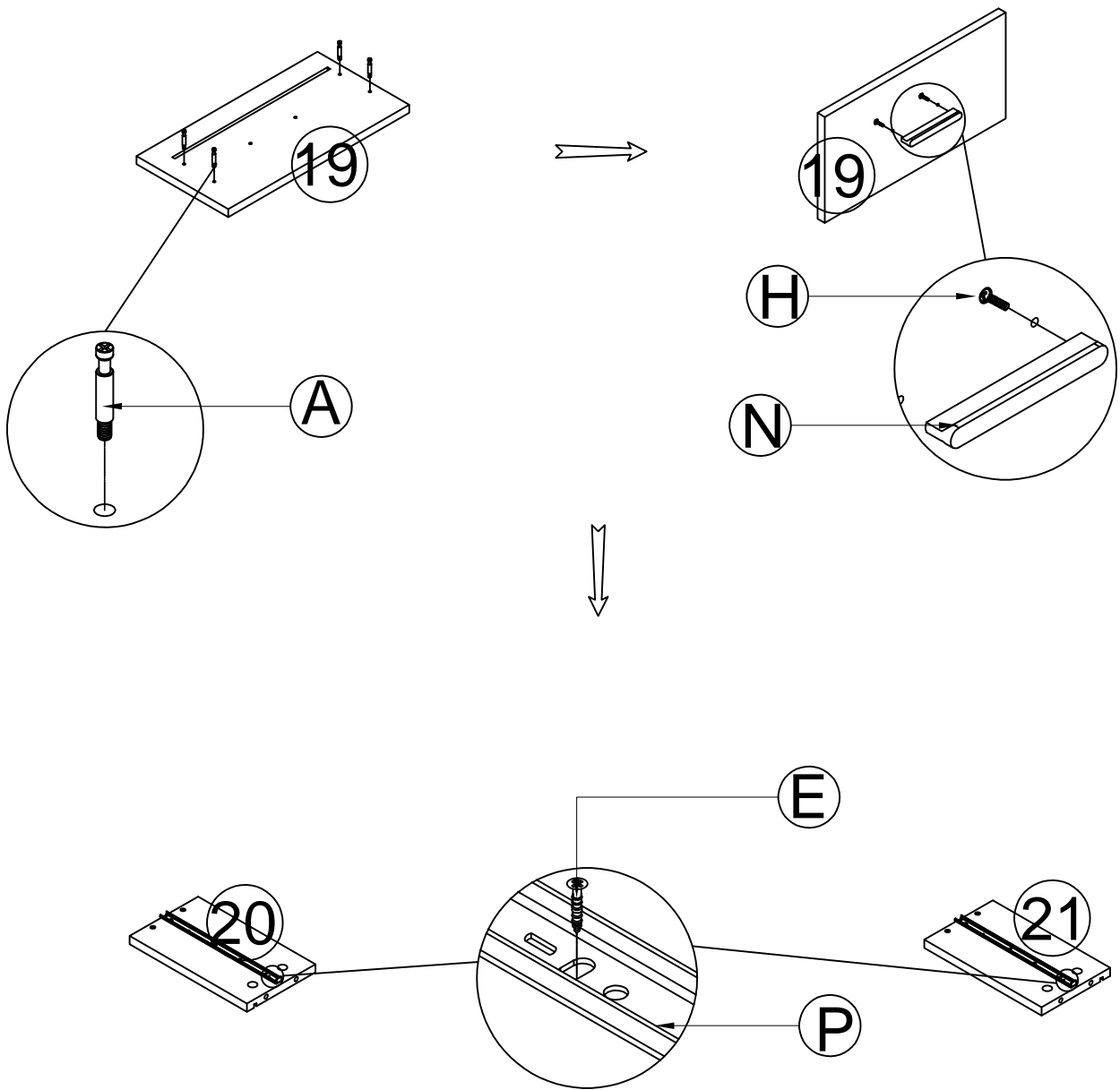
[x12]

[x6]

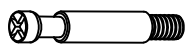
[x6]

[x3]

10



(A)



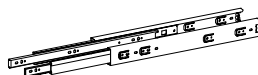
[x4]

(E)



[x4]

(P)



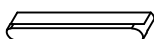
[x1]

(H)

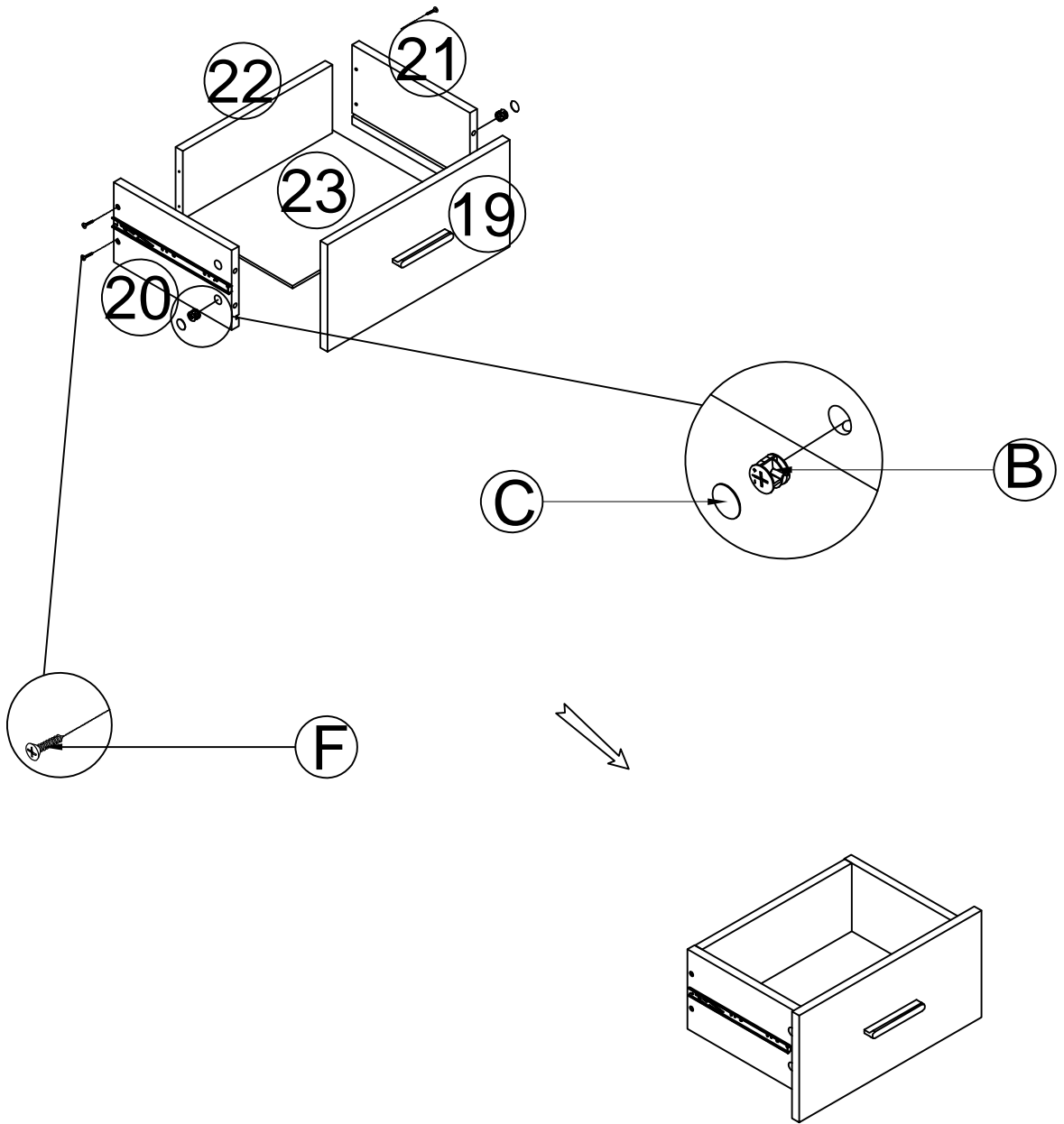


[x2]

(N)



[x1]



(B)



[x4]

(C)



[x4]

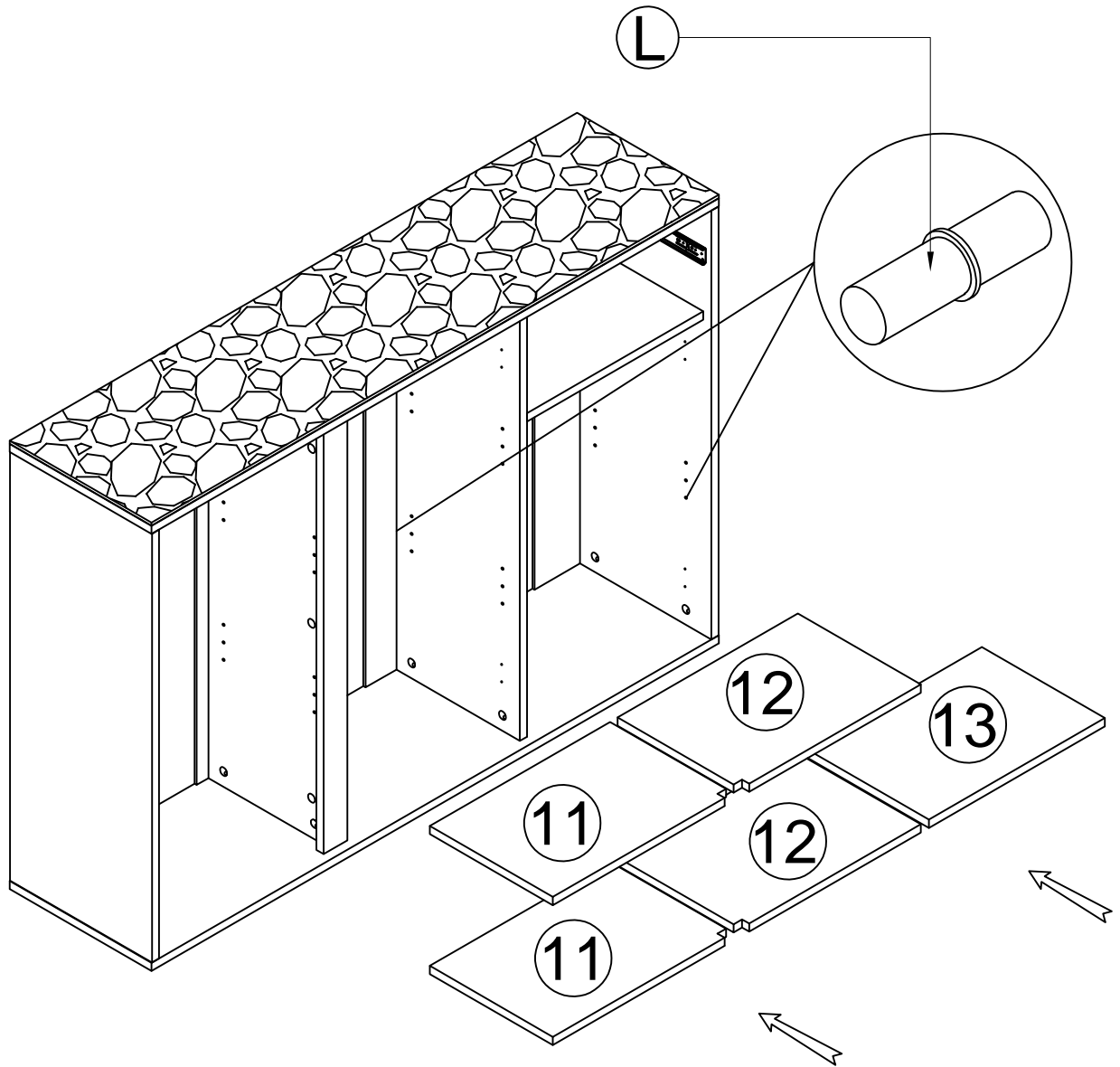
(F)



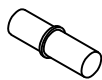
[x4]



12

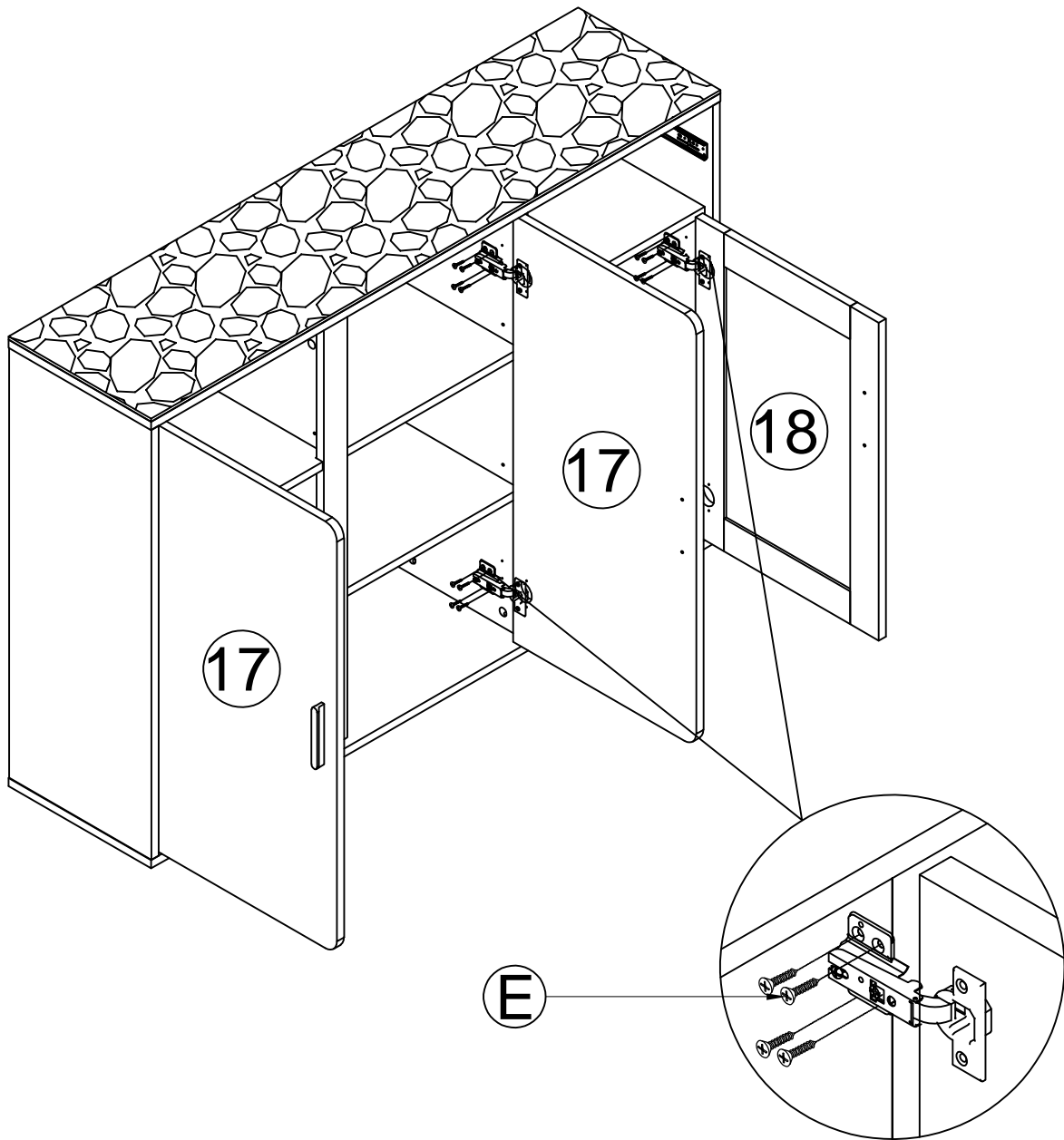


L



[x20]

13

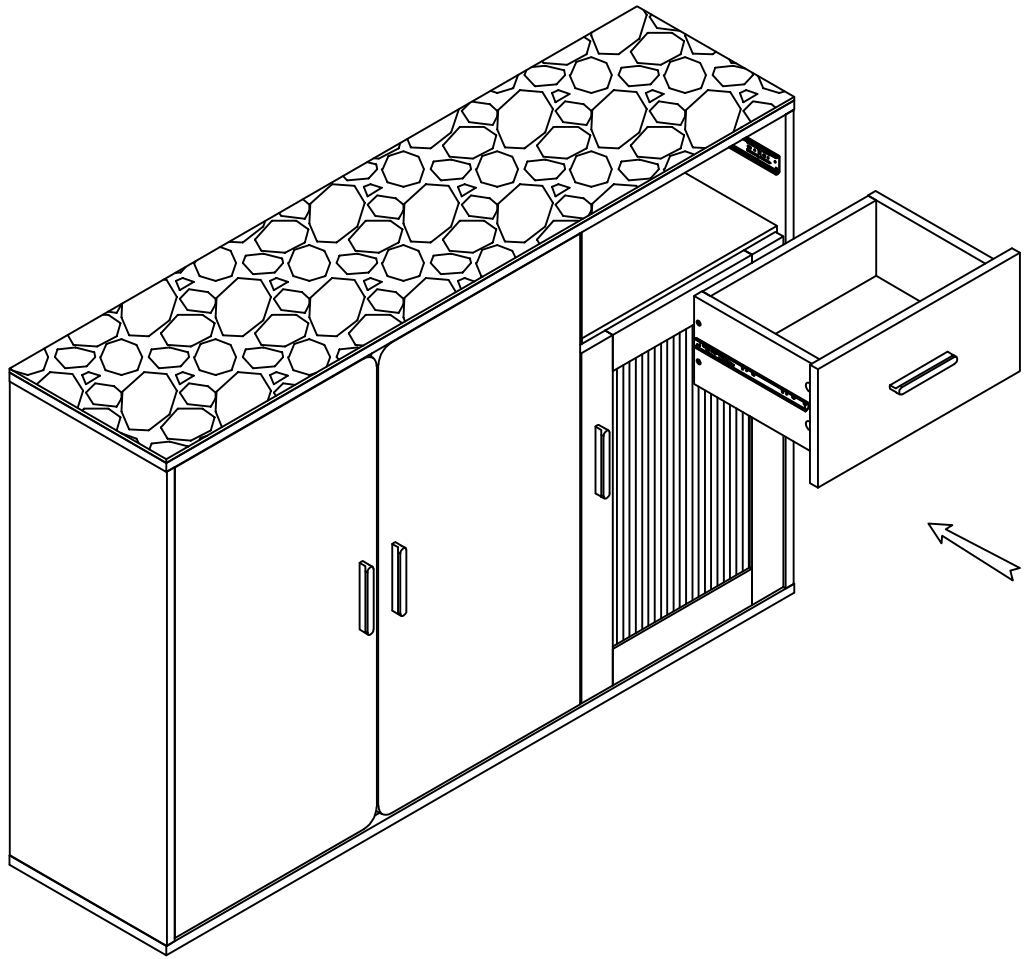


E



[x24]





15

1 Wall



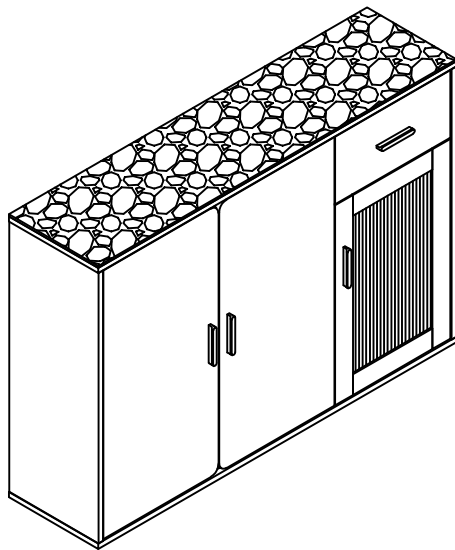
2 Wall



3 Wall



4 Wall



Q

Q



[x2]

