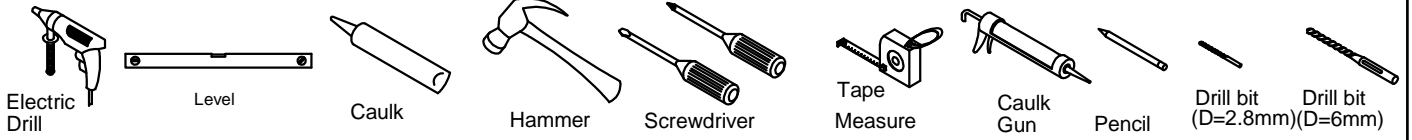


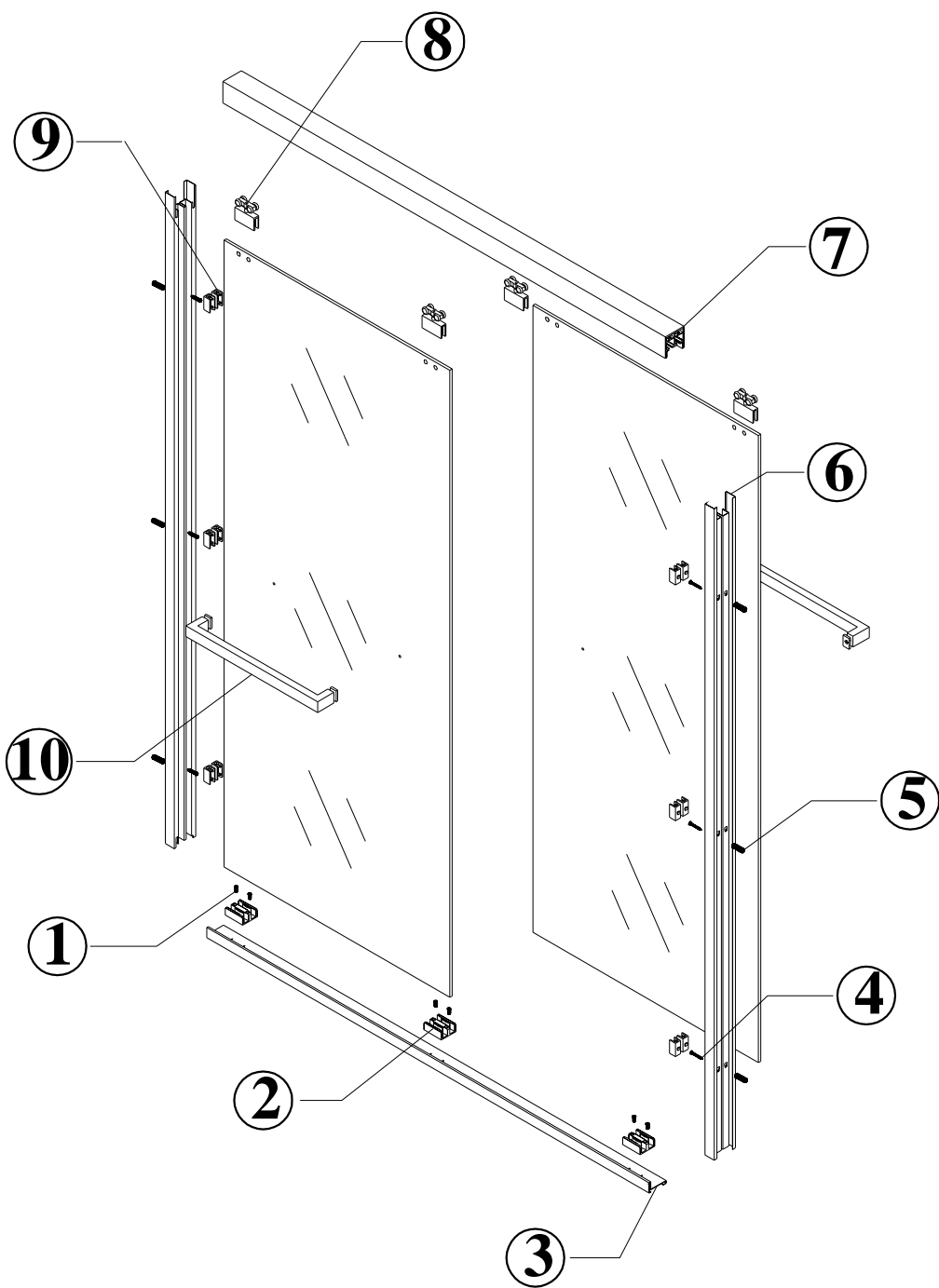
Explosive view

Tools Required



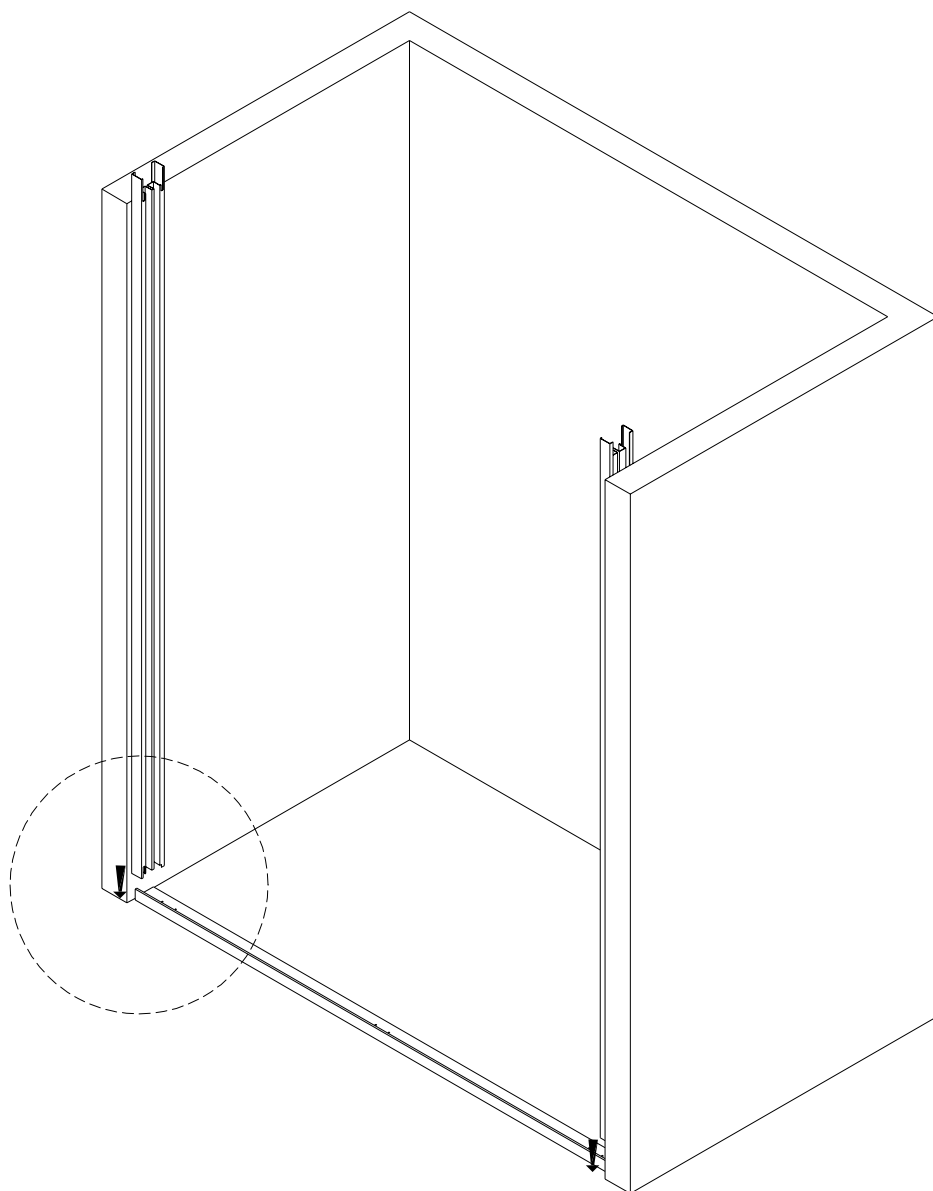
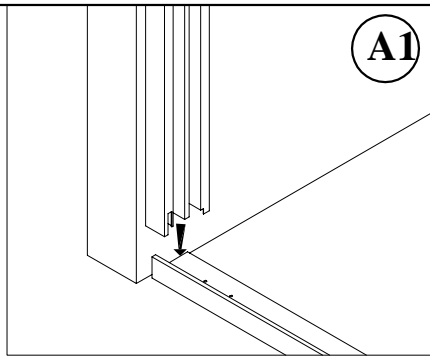
1 (ST4.0*8) 6PCS	2 3PCS	3 1PCS	4 (ST4.0*35) 6PCS	5 (6*30mm) 12PCS	6 2PCS	7 1PCS	8 4PCS	9 12PCS
----------------------------	---------------	---------------	-----------------------------	----------------------------	---------------	---------------	---------------	----------------

10 2PCS

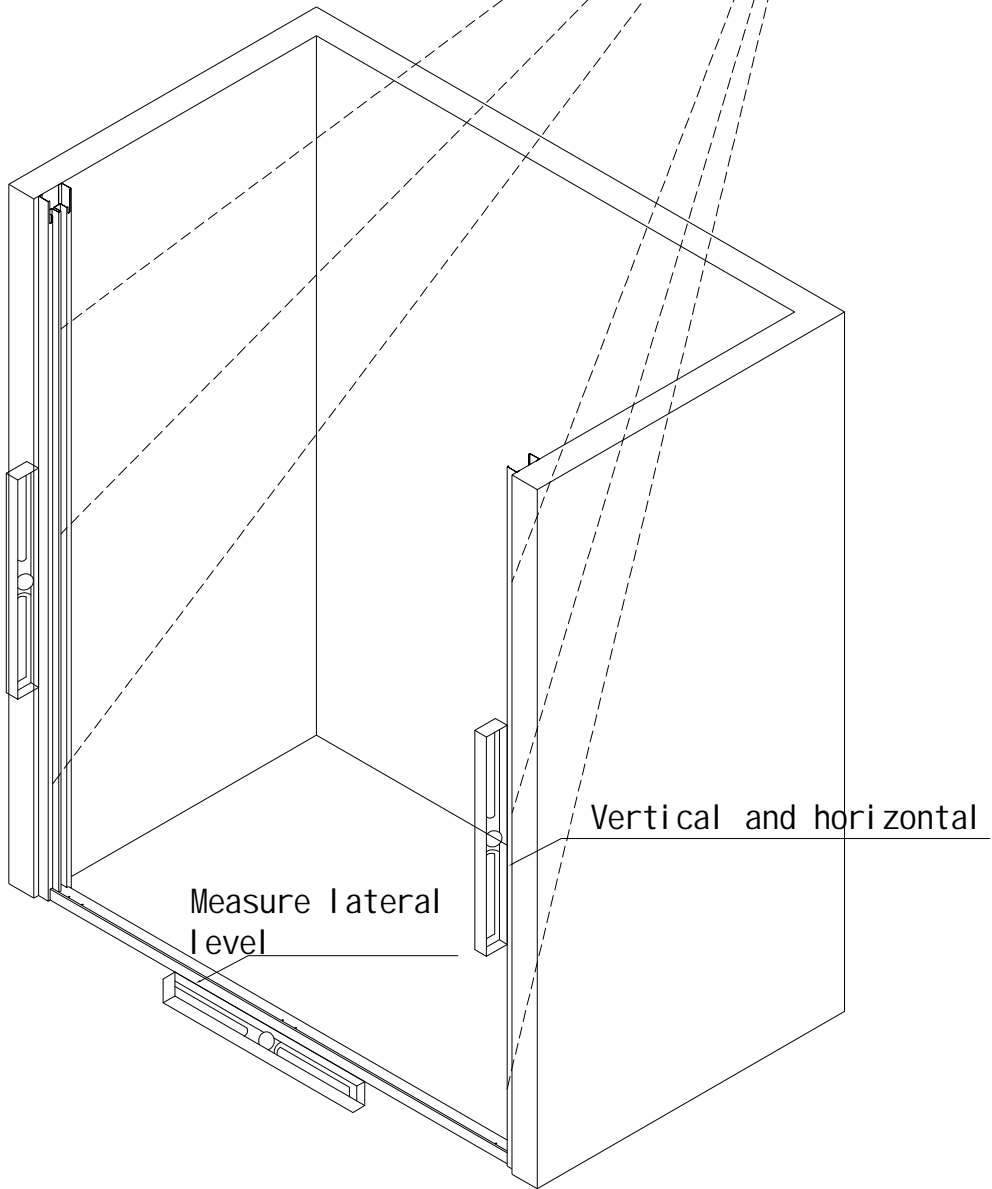


1

A1

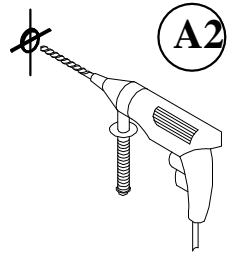


2



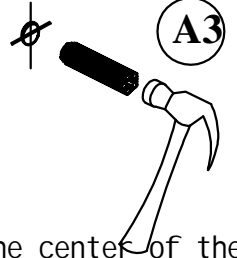
3

6mm

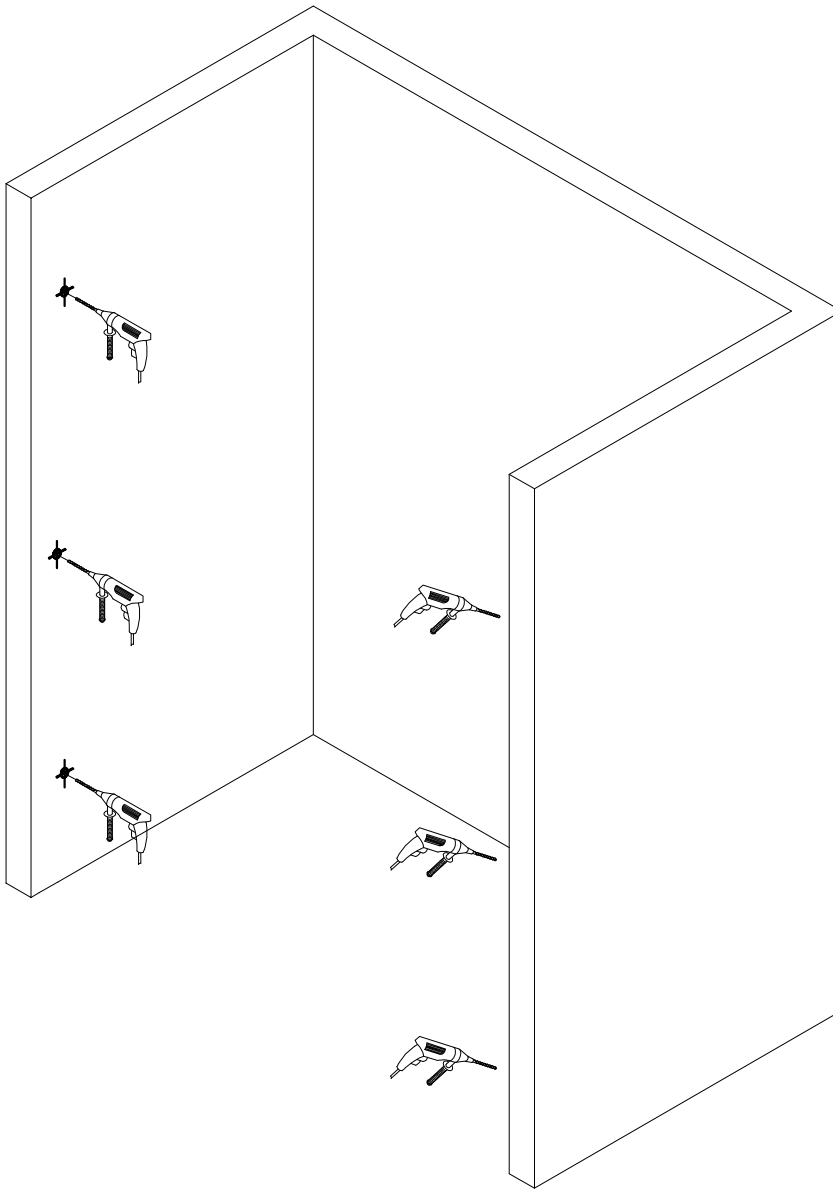


Drill holes at marks

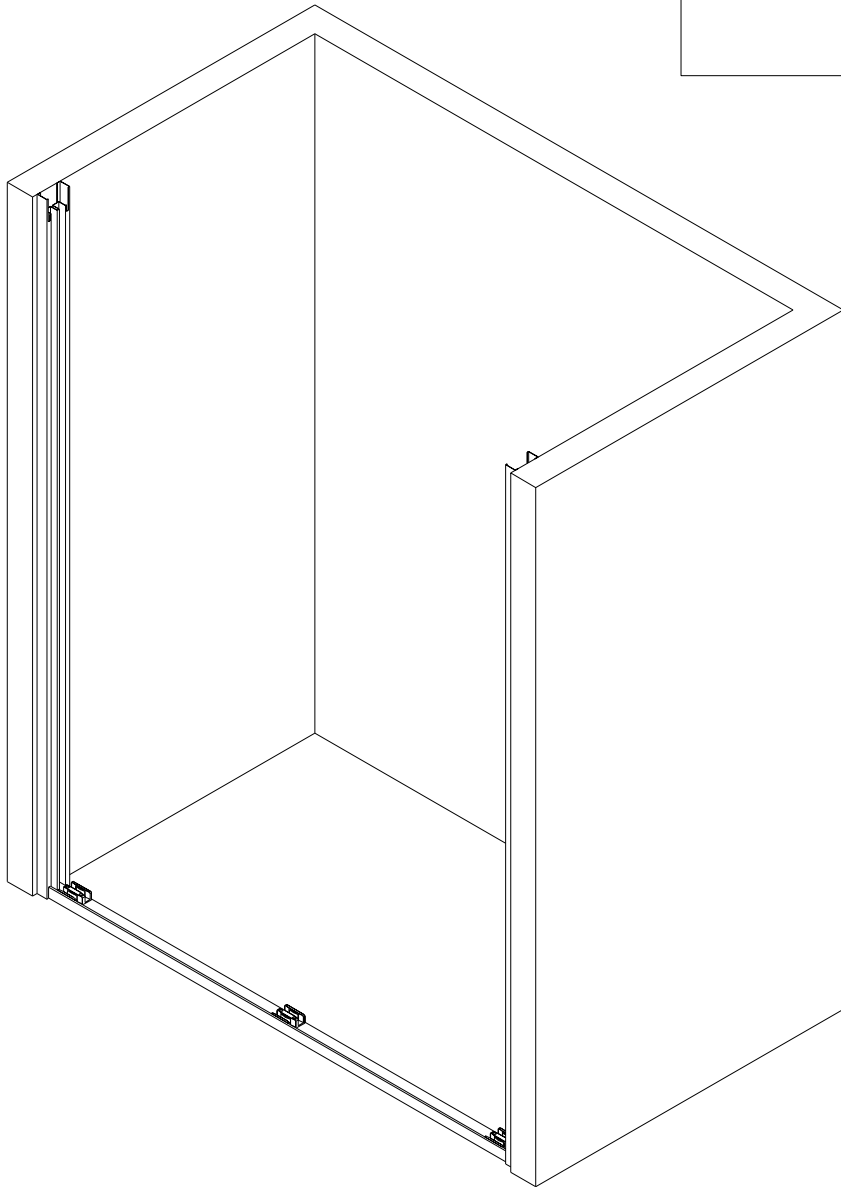
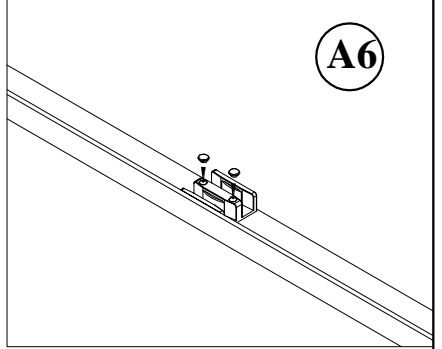
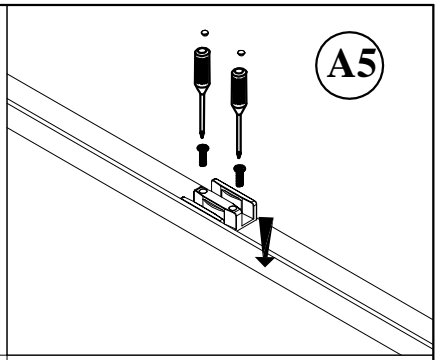
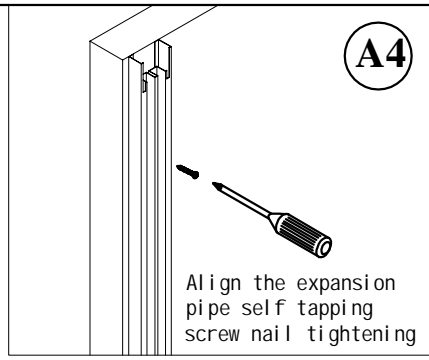
6mm



Aim at the center of the hole and hit the expansion tube on the inside

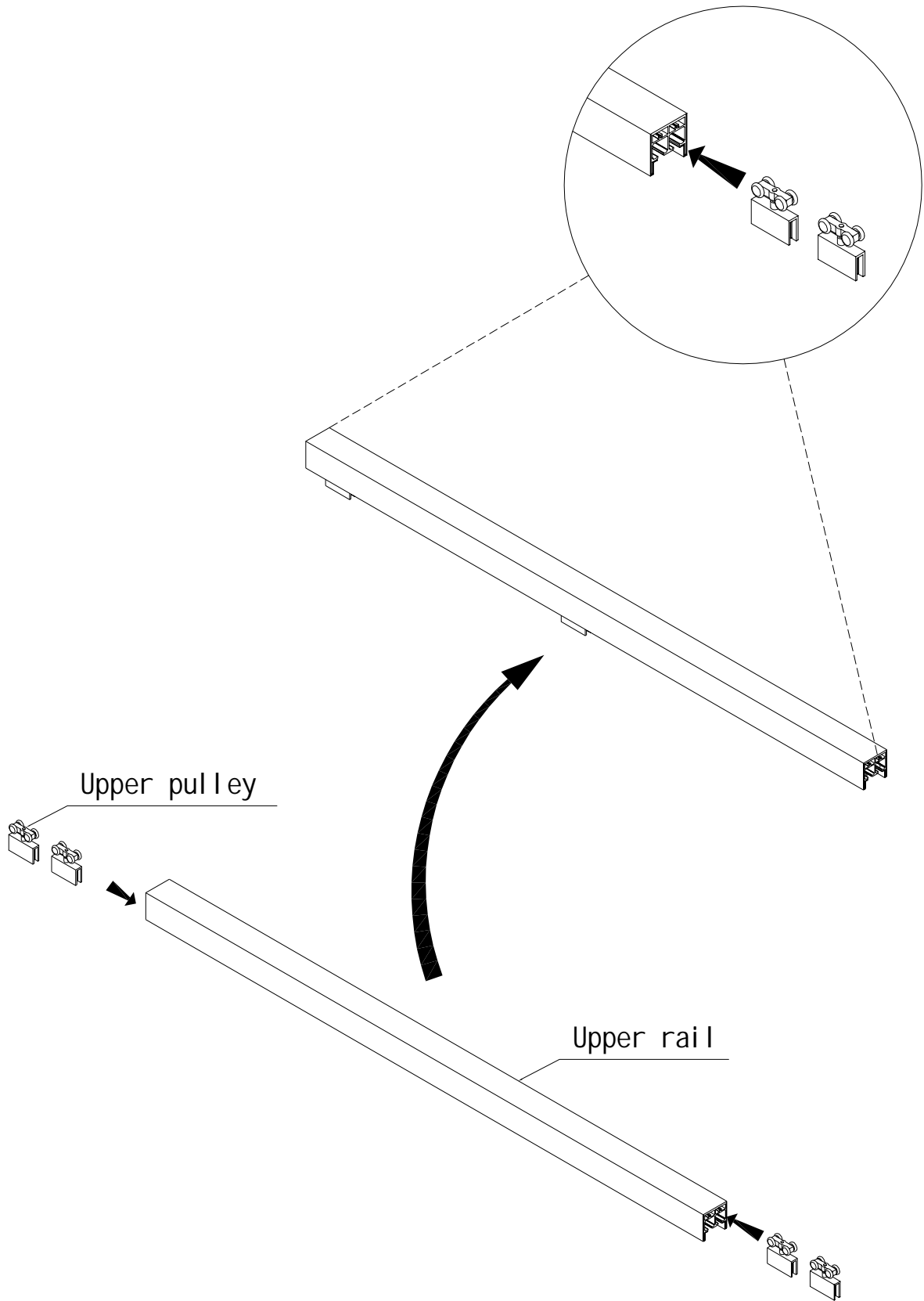


4



5

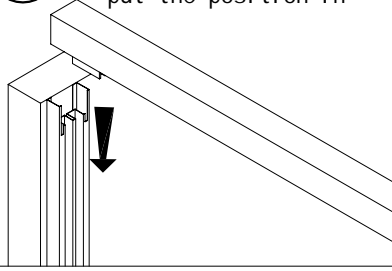
Before installation, install the handrail on the accessories, as shown in the figure below:



6

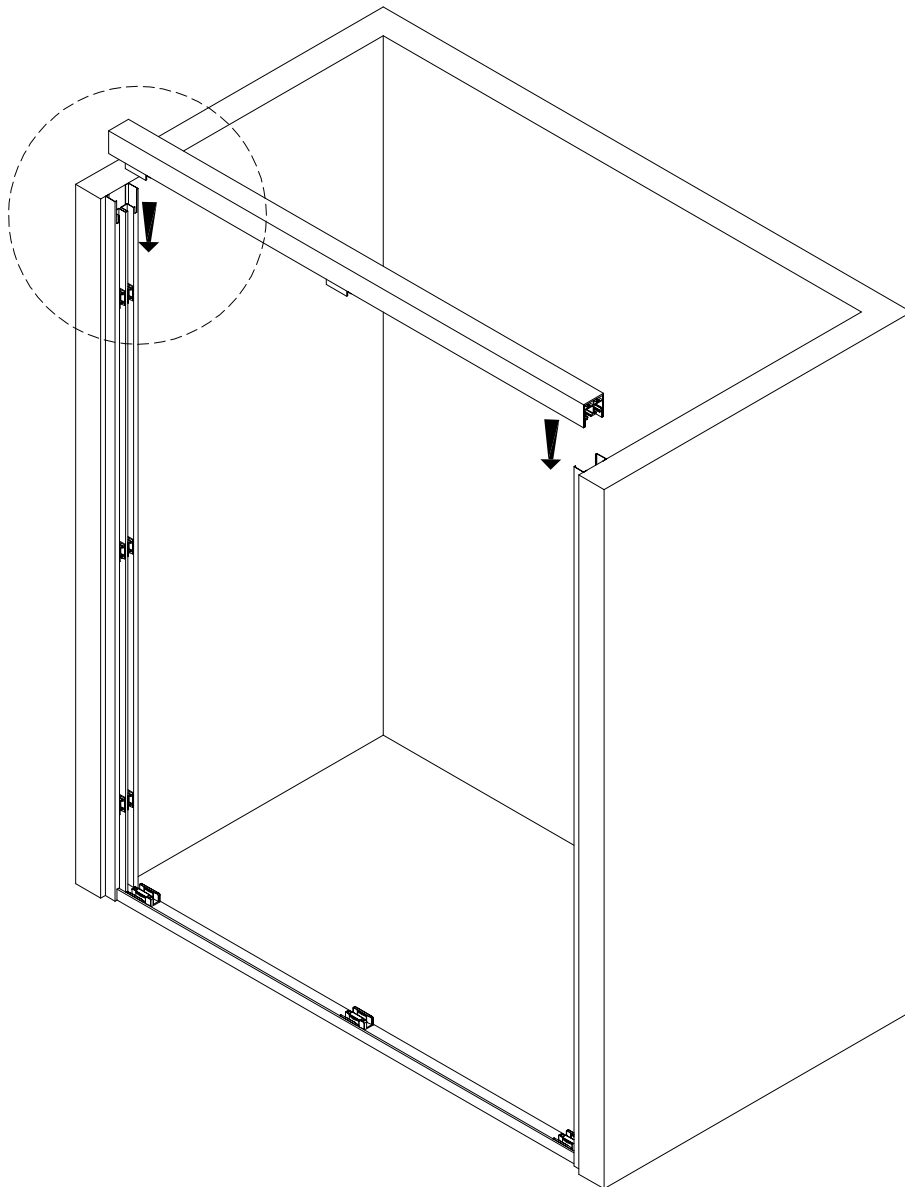
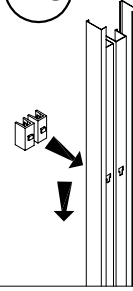
A7

Align the upper guide rail with the bayonet put the position in

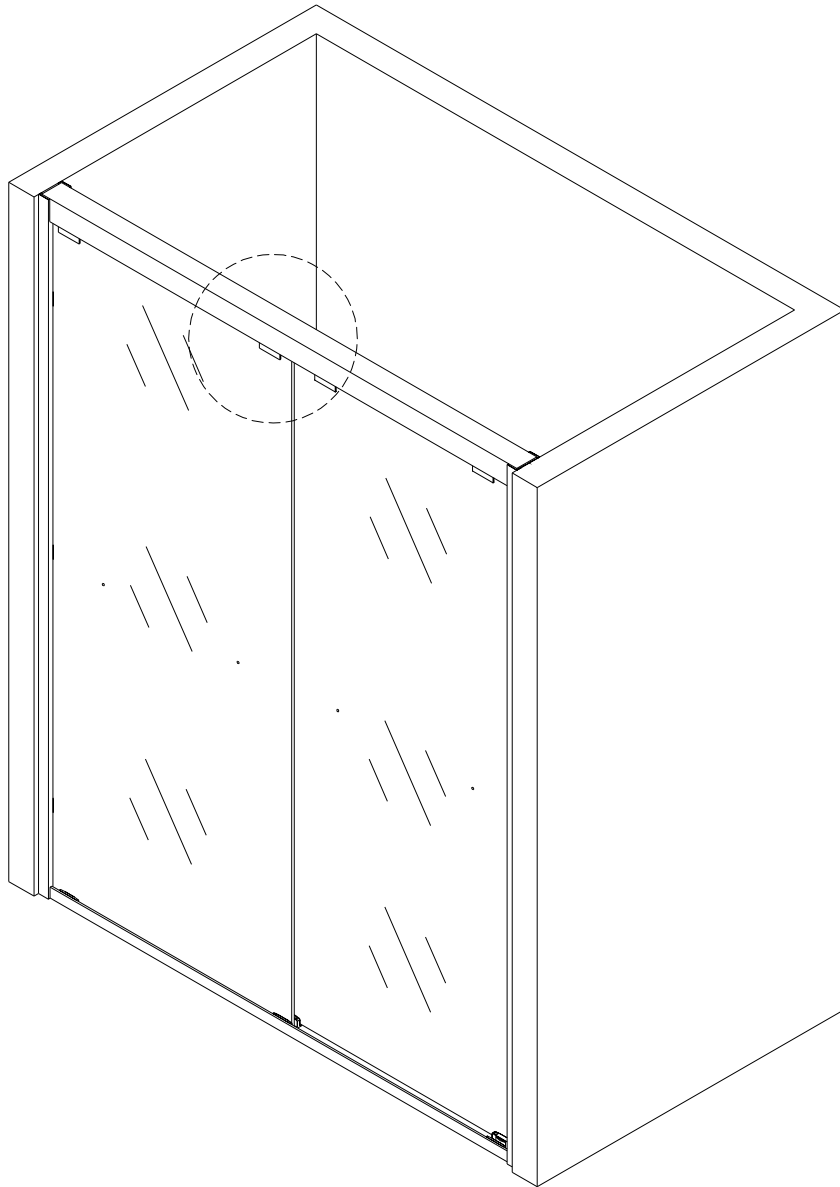
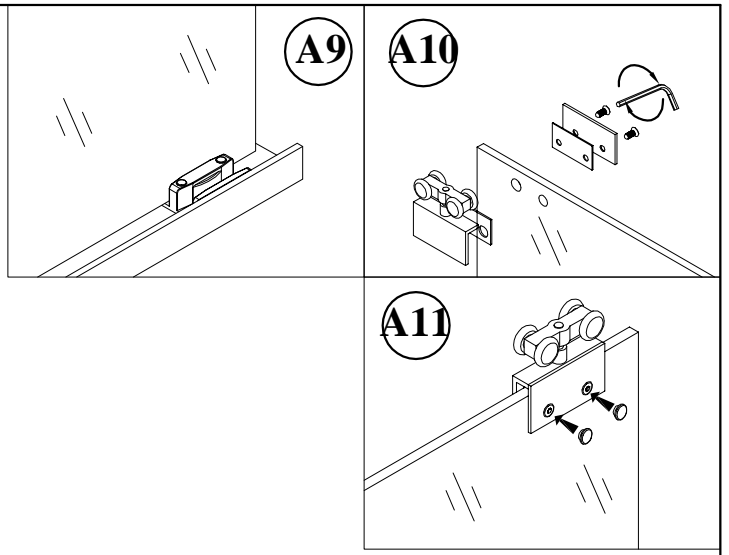


A8

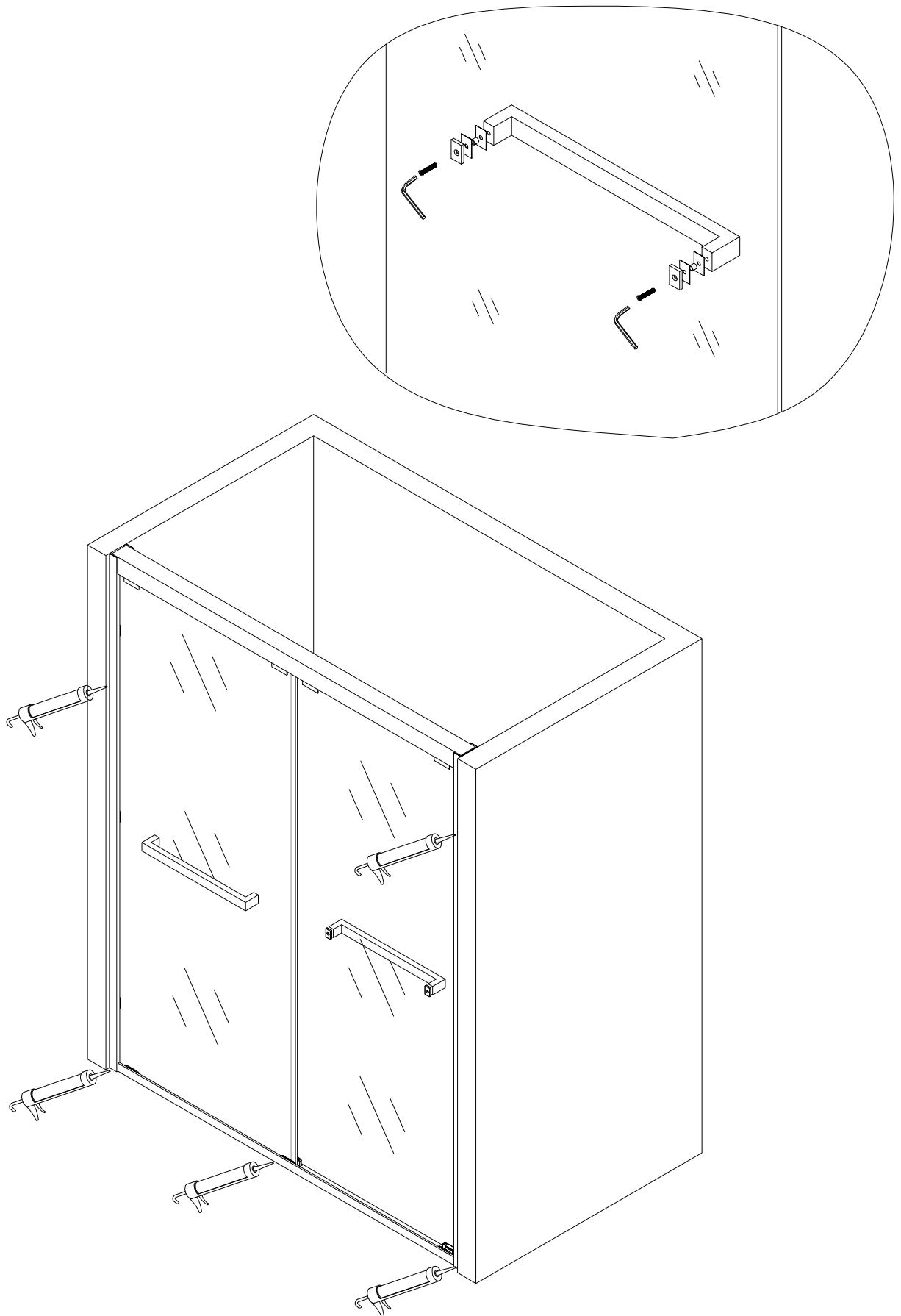
Position the retainer align bayonet position in



7



8



Apply silica gel to the walls and floors inside the shower room .
Note: do not let water enter the door sealing strip directly.
Wait 24 hours before using the shower.