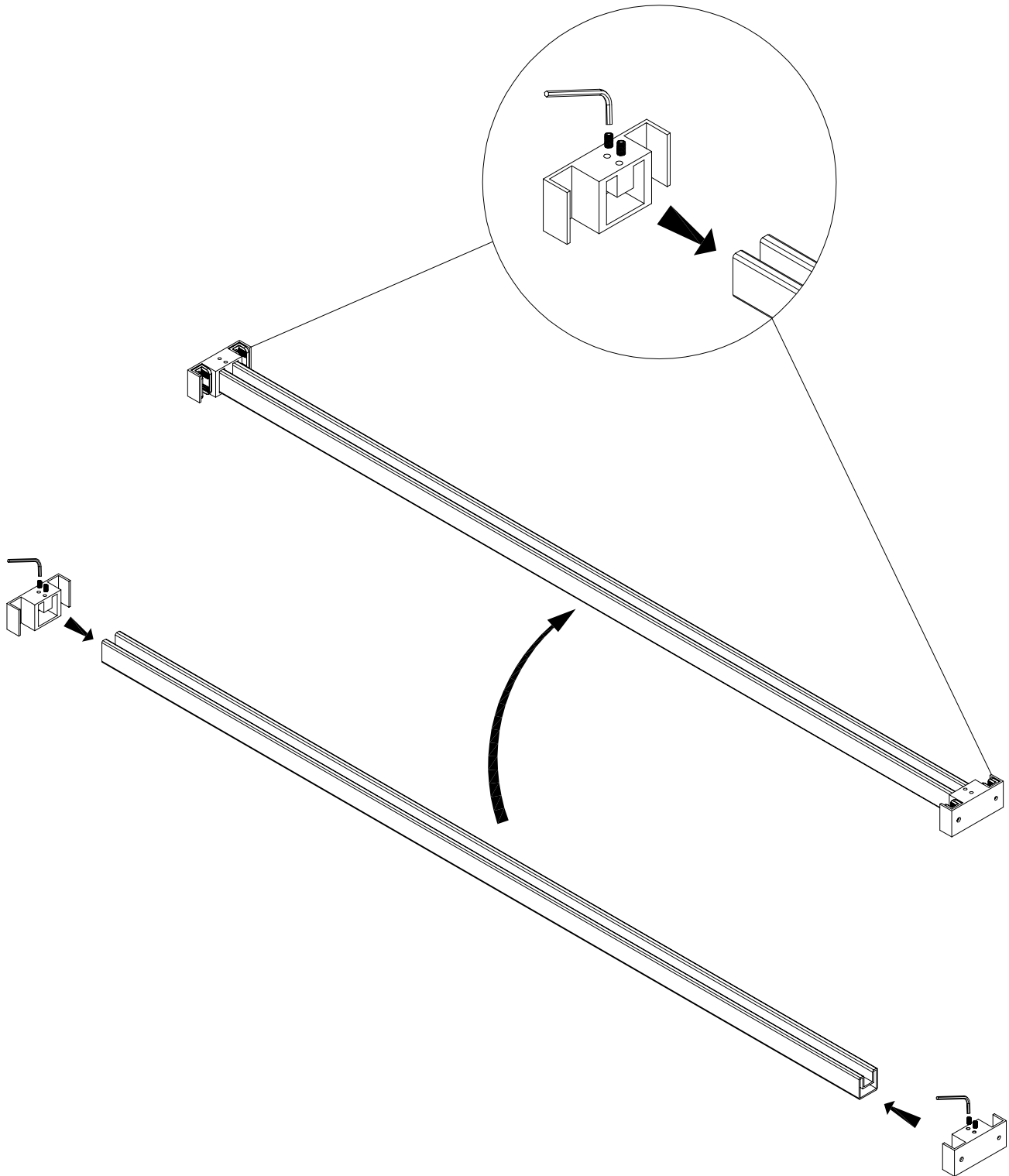
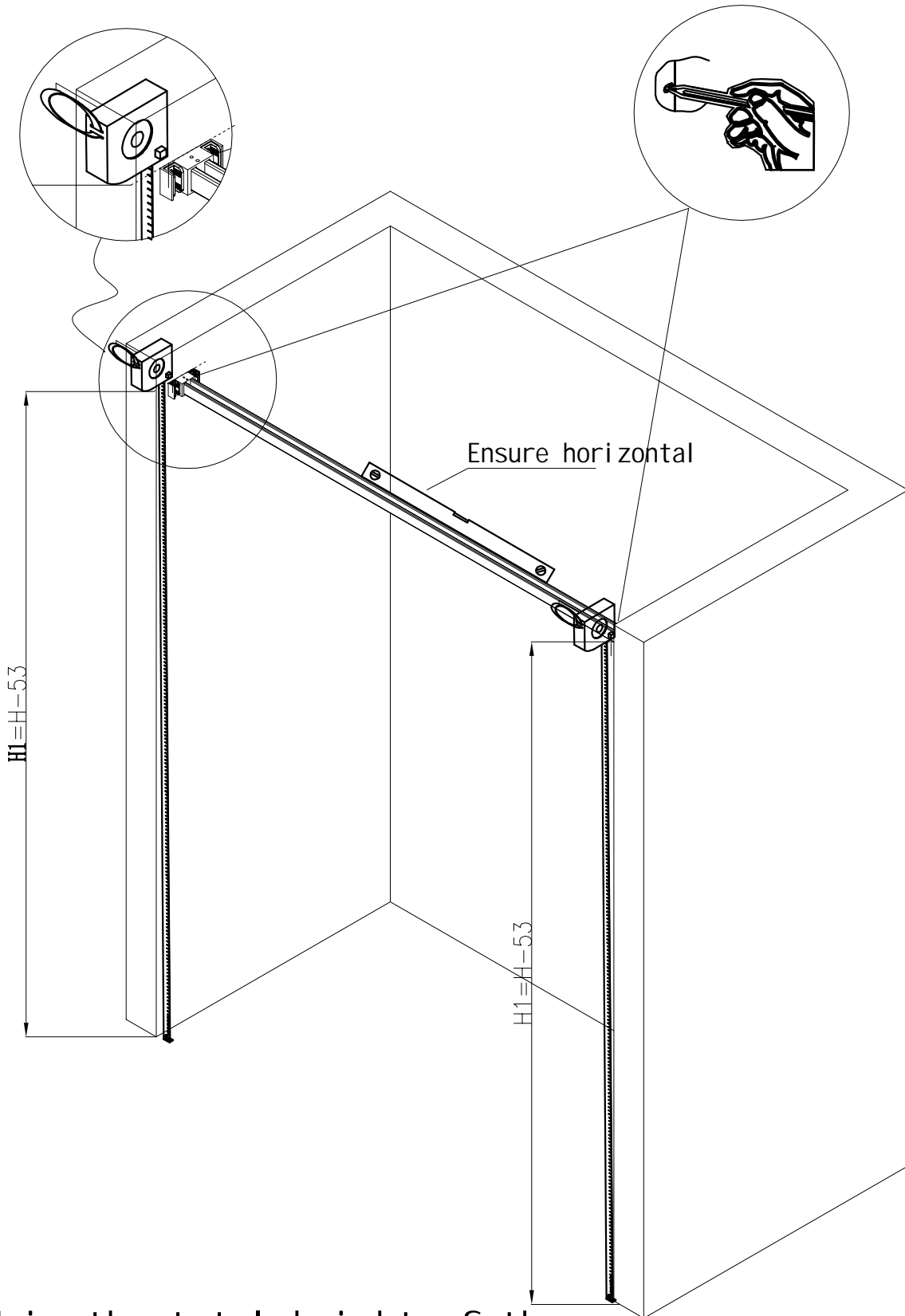


1



Install the wall seats at both ends on the upper rail before installation.

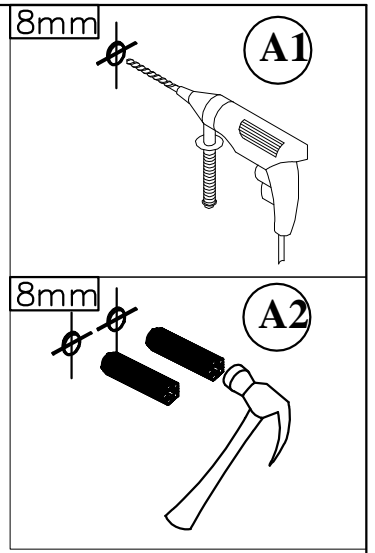
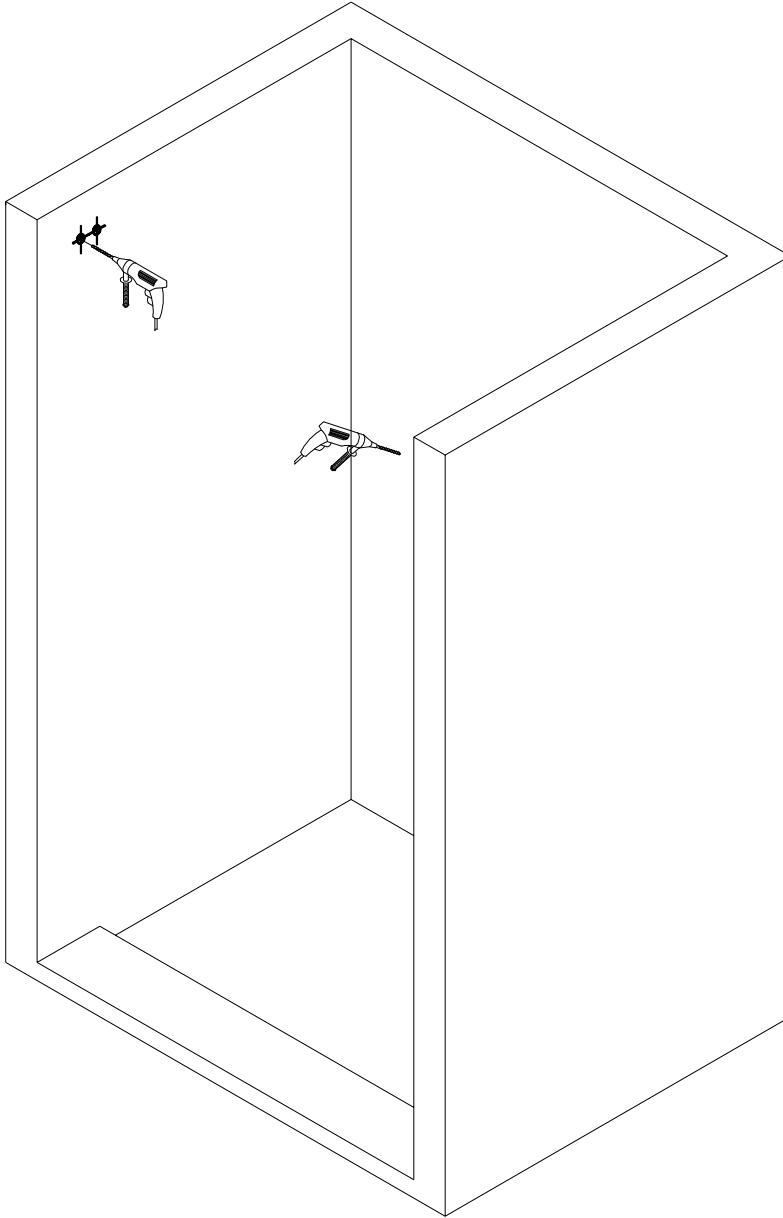
2



H is the total height of the room

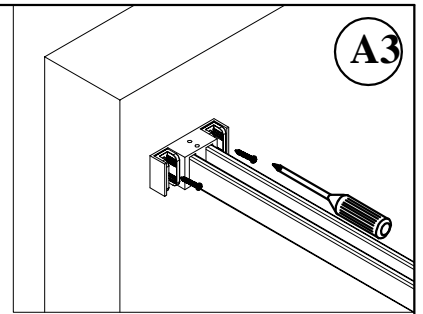
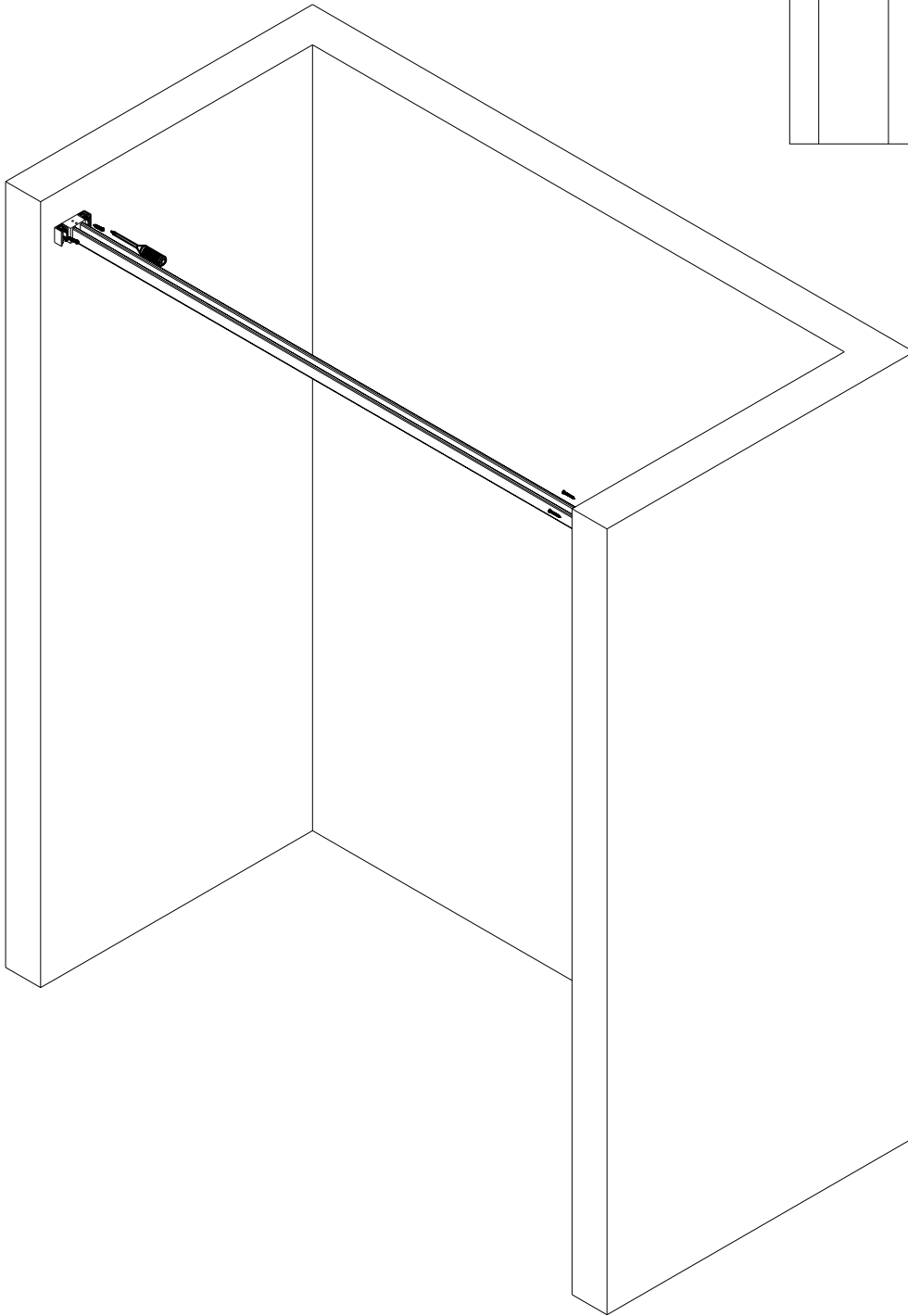
Measure with a level gauge to ensure that the upper rail is horizontal; After measuring the installation height of the wall base, mark the hole position of the wall base.

3



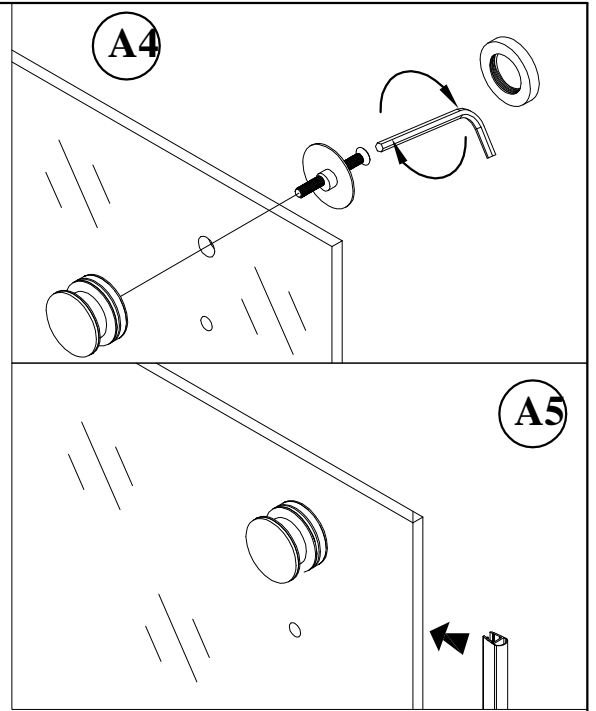
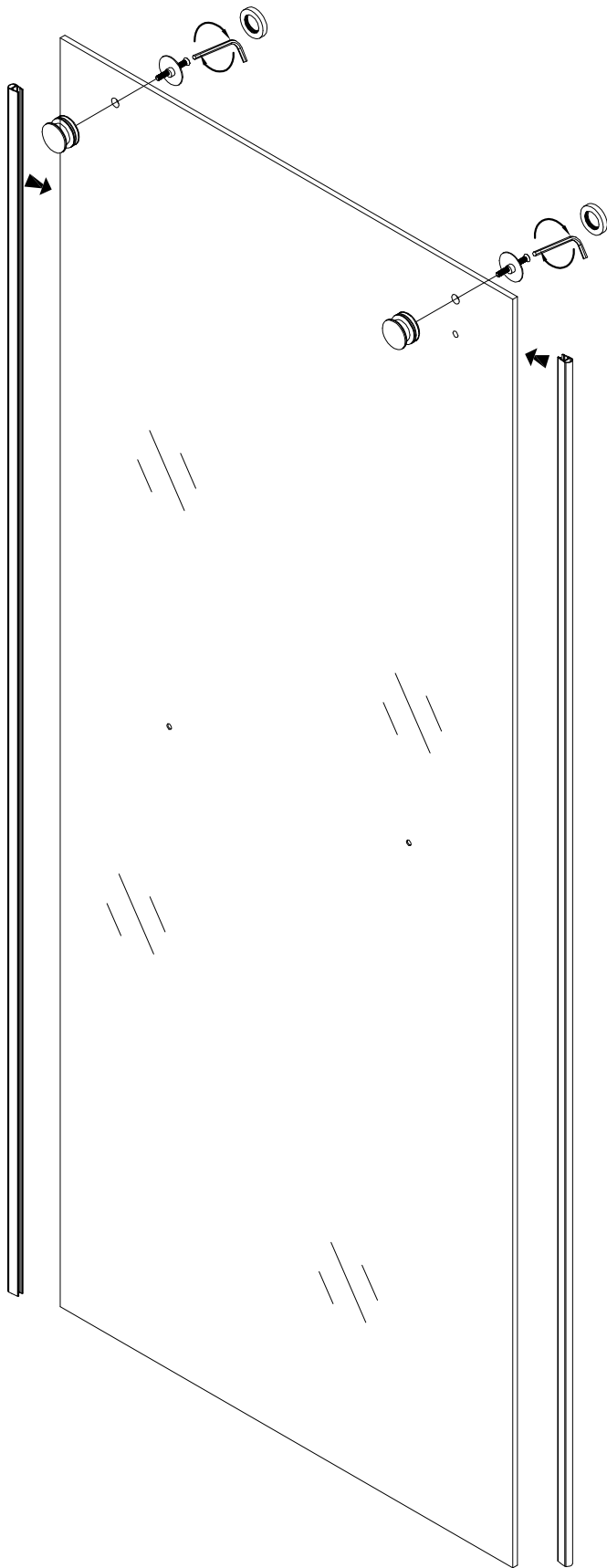
Drill holes according to the position marked in the previous step; Then knock the expansion pipe in at the position where the hole is drilled.

4



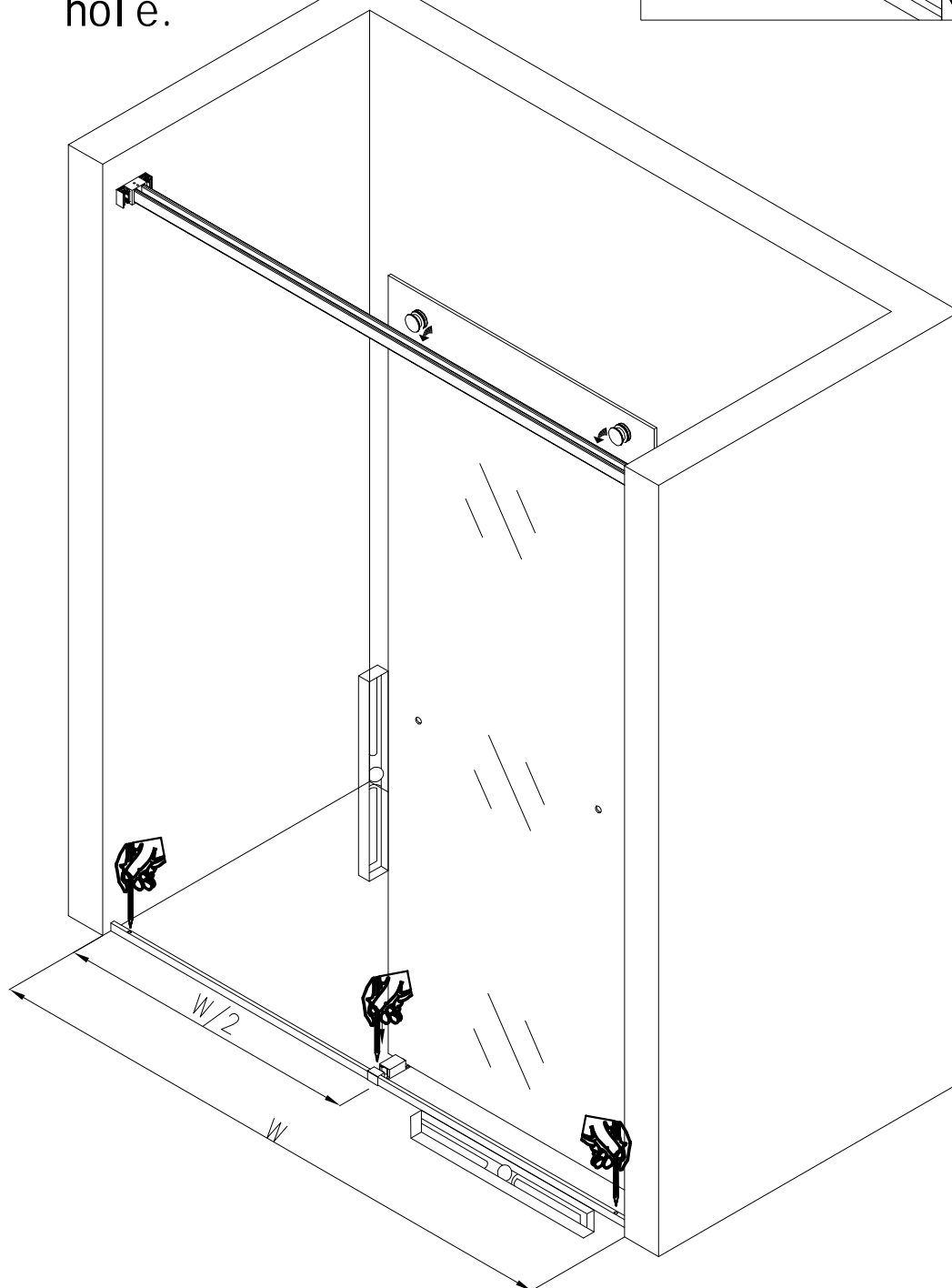
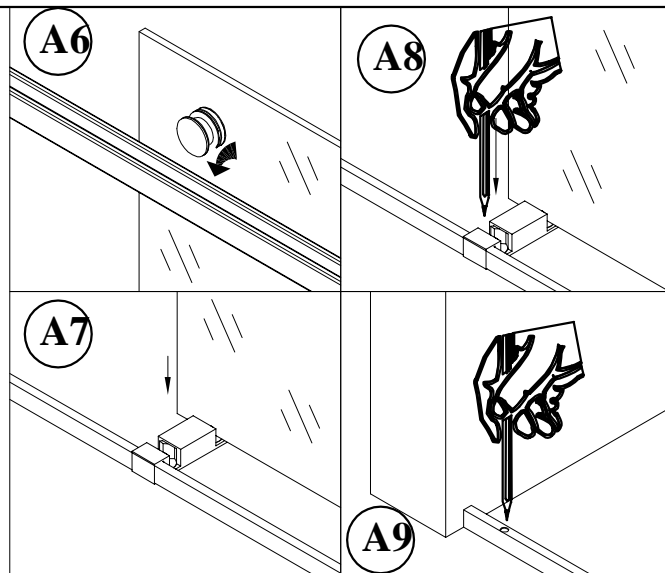
Put the anti-collision glue into the groove of the upper rail wall seat and tighten it to the wall with self tapping screws.

5



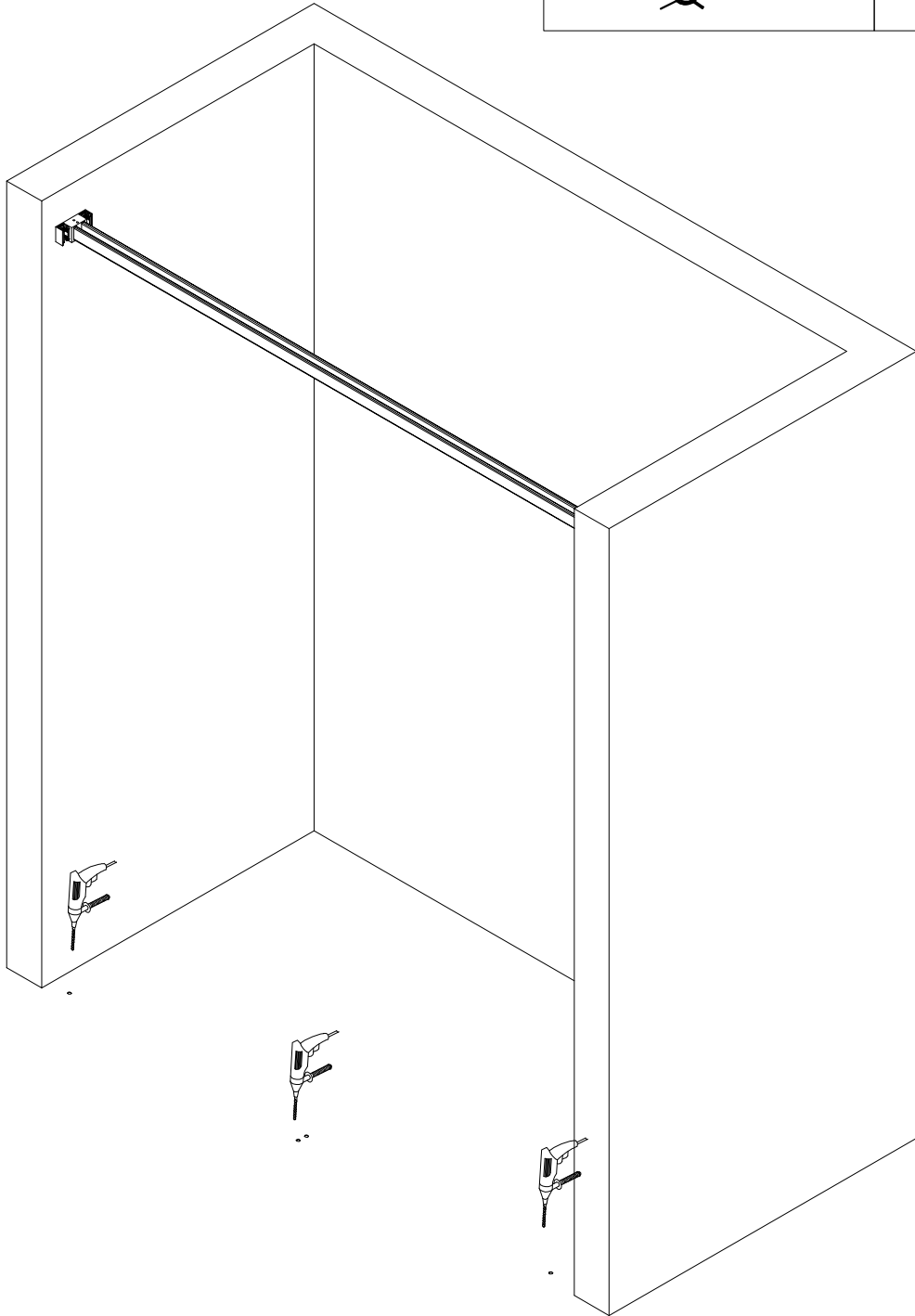
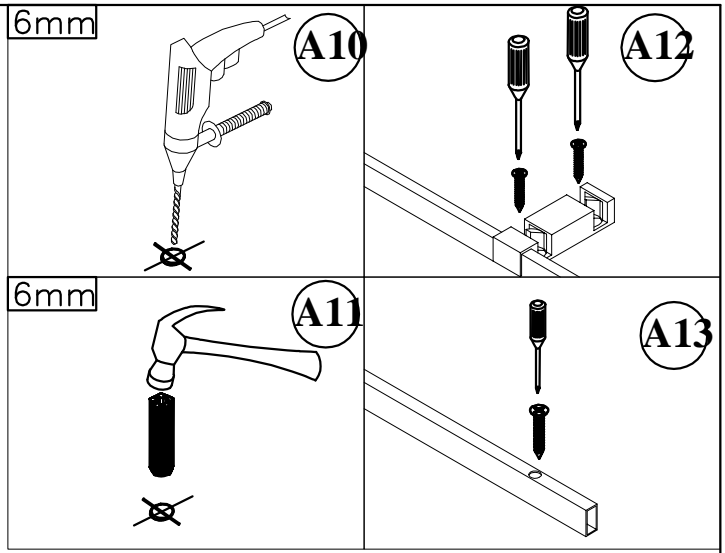
Install pulley and rubber strip on door glass.

6 First install a piece of door glass on the upper rail, and then measure that the door glass, water retaining strip and sliding block are horizontal; Mark the position of the hole.



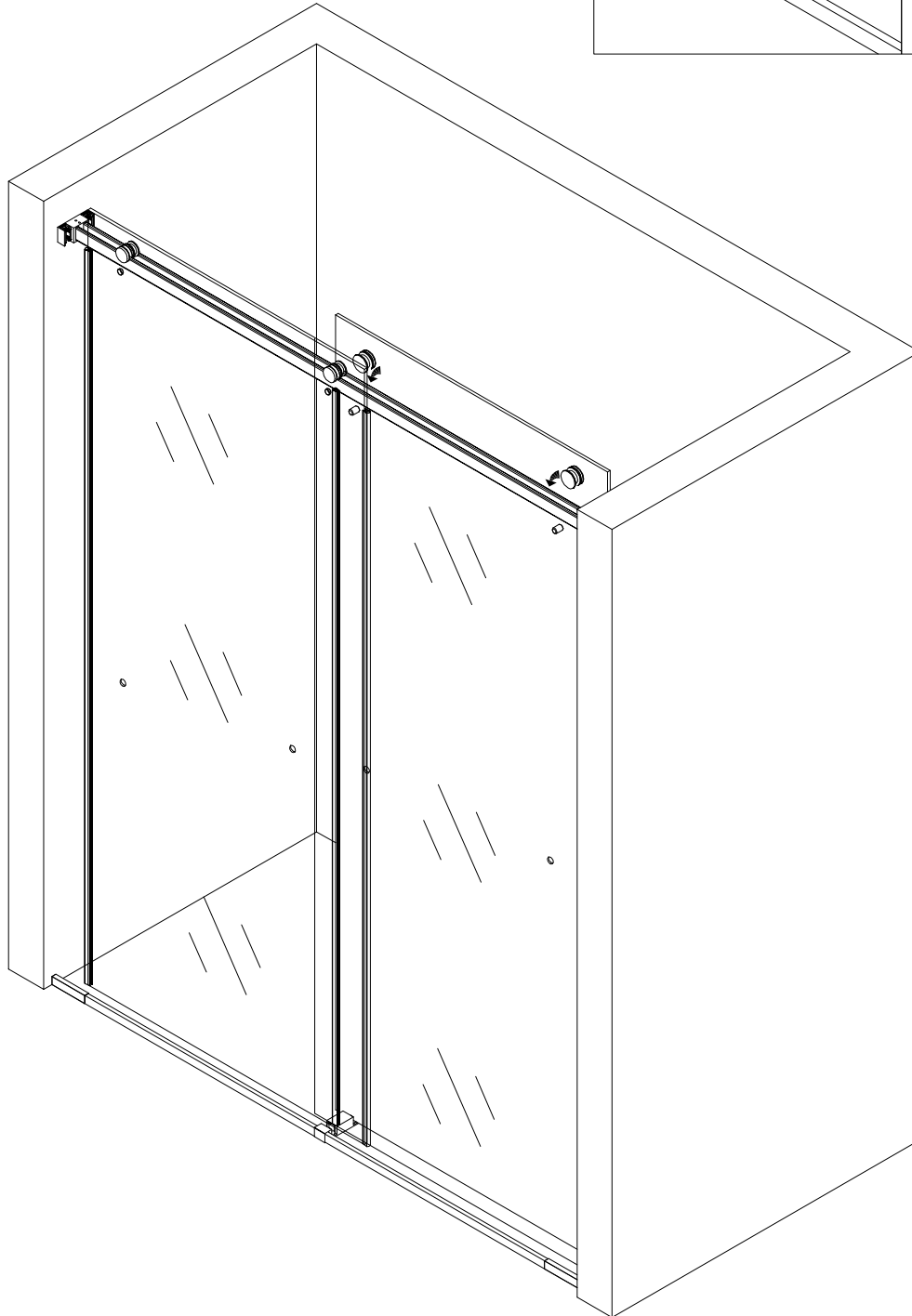
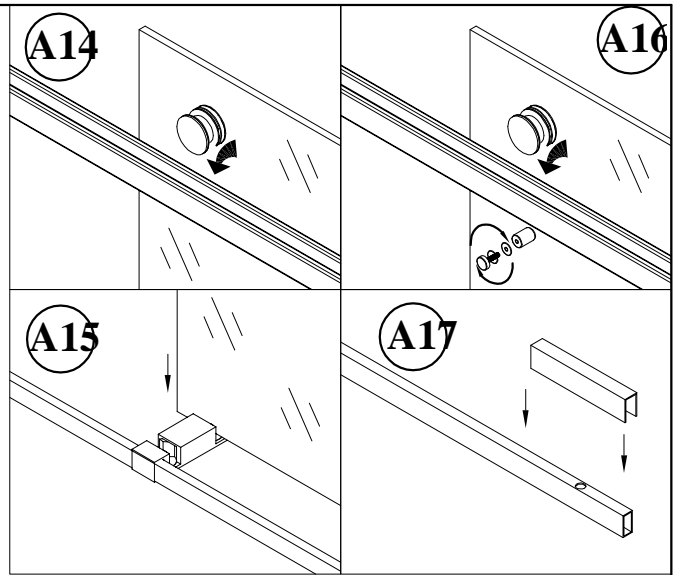
7

Drill holes according to the position marked in the previous step; Then knock the expansion pipe in at the position where the hole is drilled.

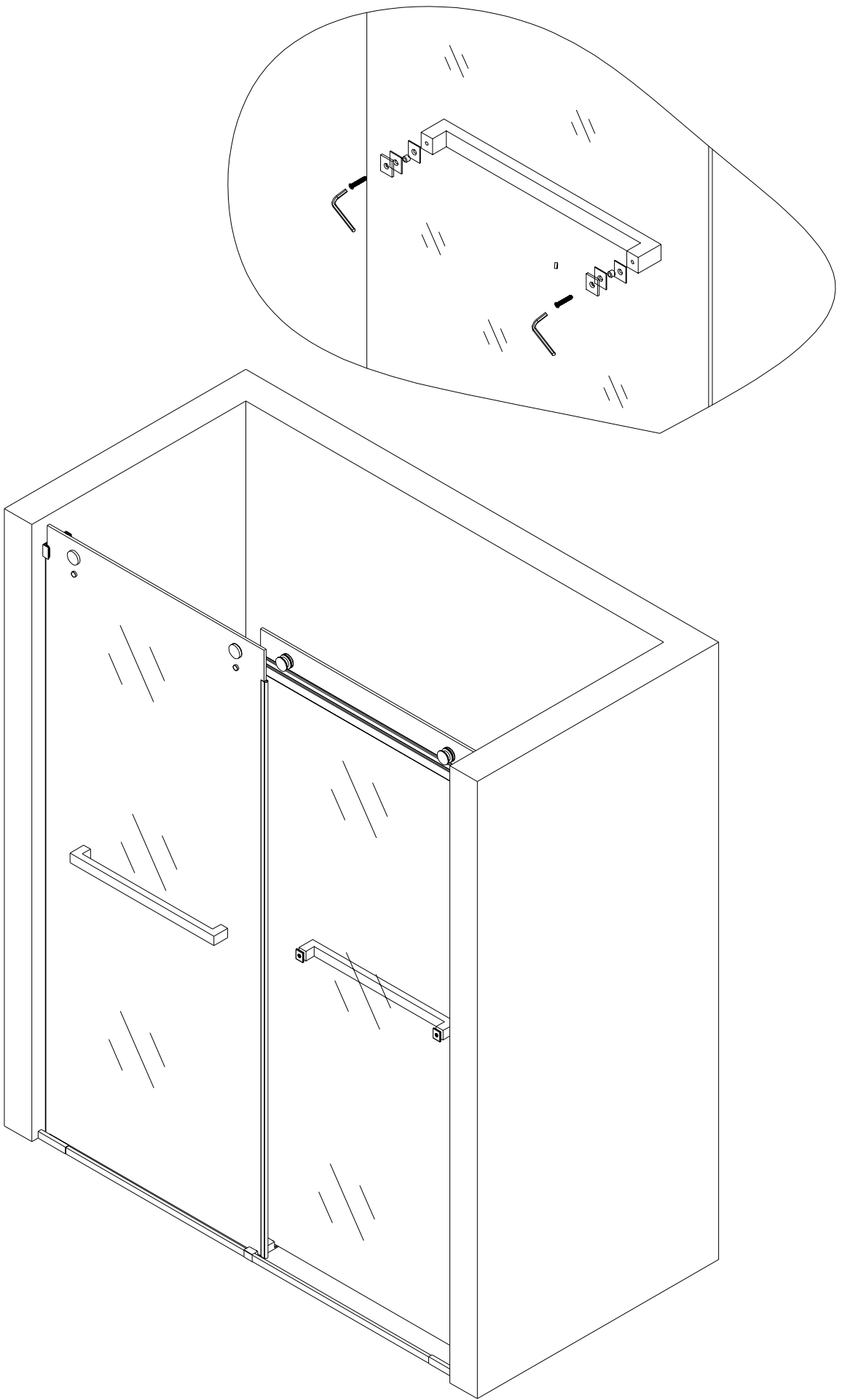


8

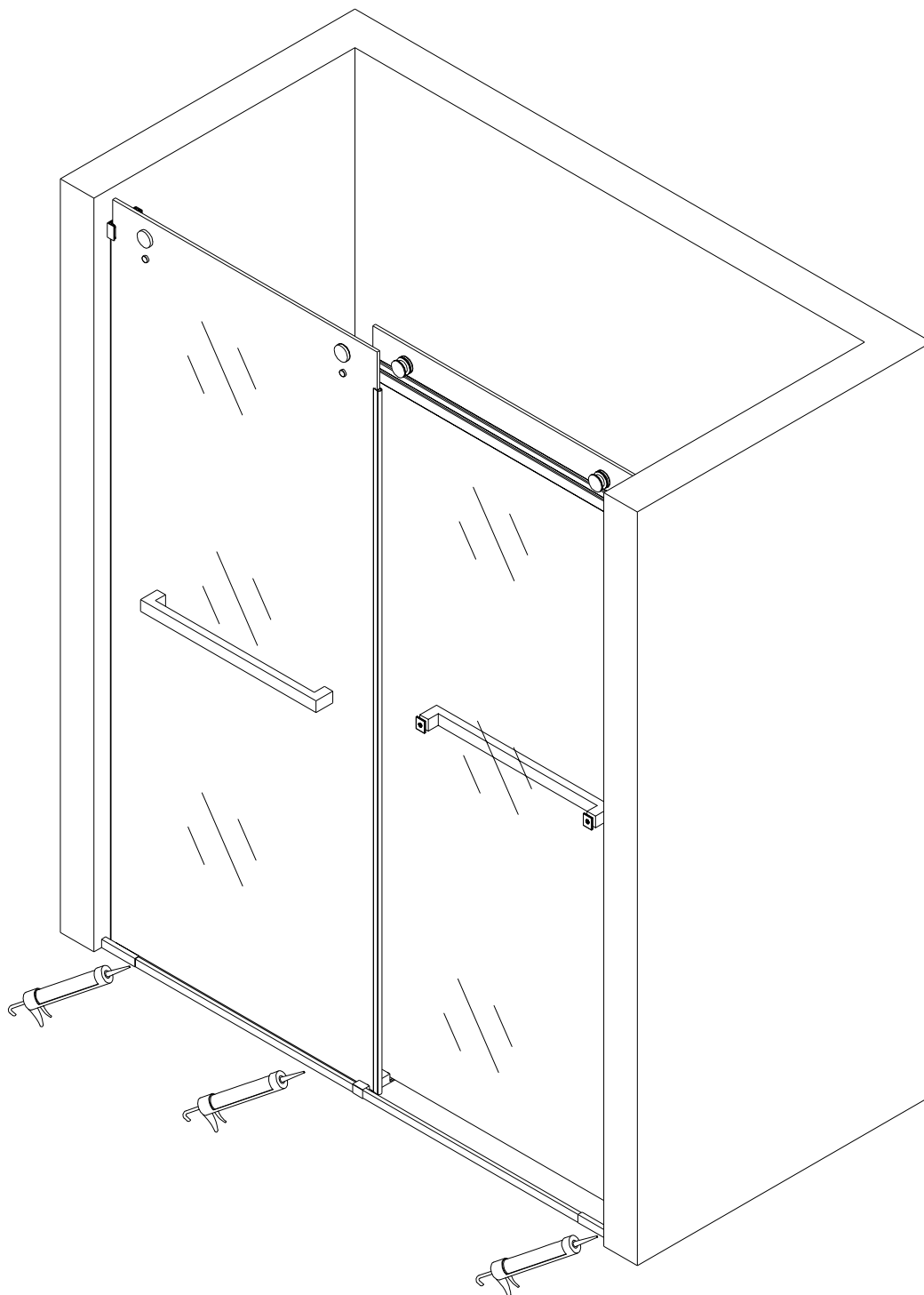
Install all door glasses; Install the anti jump bar, and finally clamp the decorative covers at both ends of the bottom water retaining strip.



9



10



Apply silicone resin to the water retaining strip and floor at the bottom of the shower room.

Attention: do not let water enter directly Door seal.
Use the shower after 24 hours.