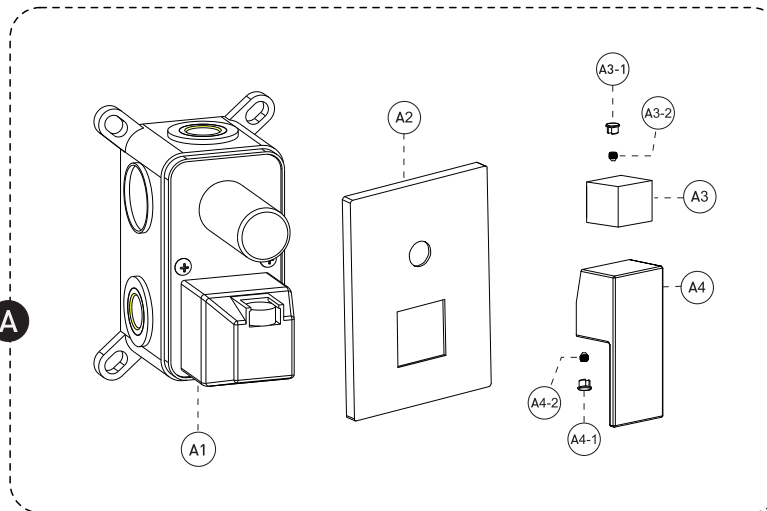
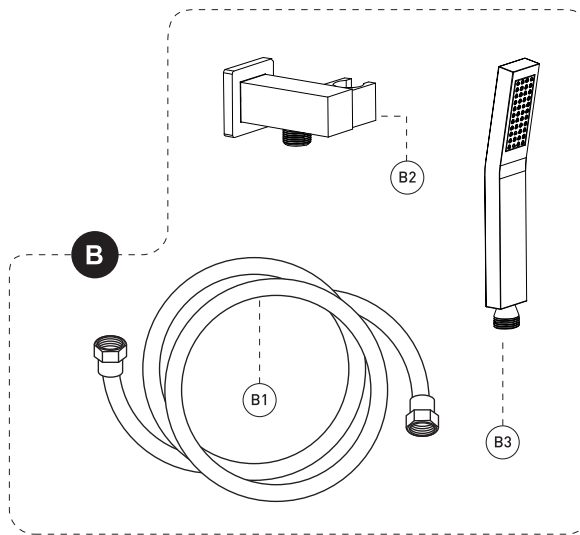
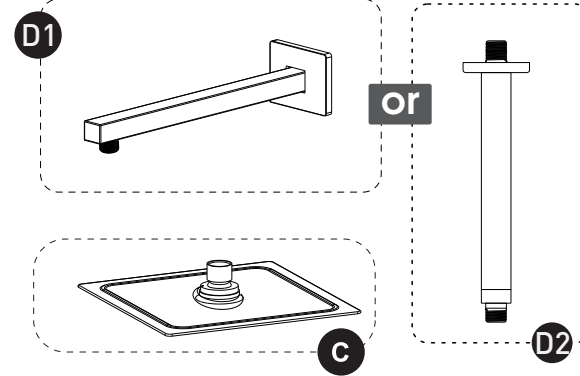
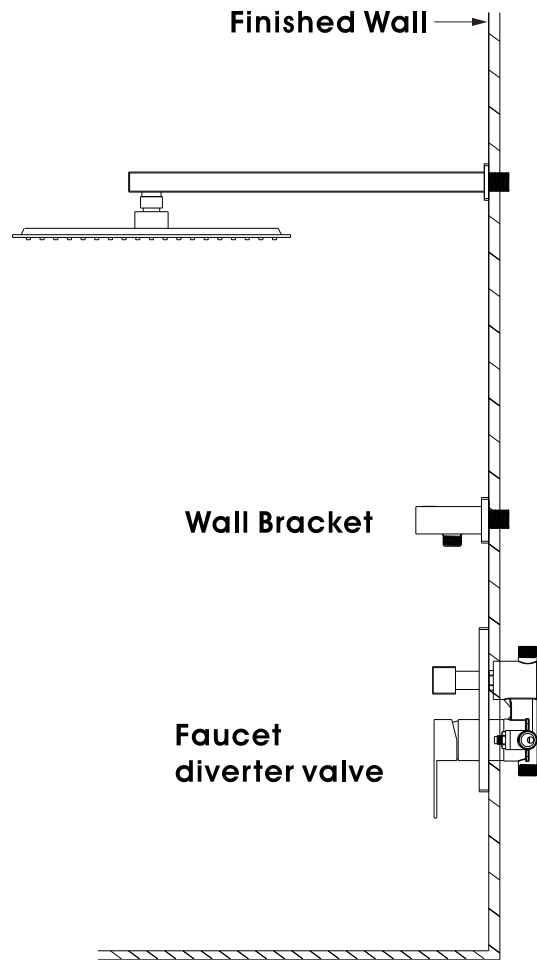


PRODUCT DRAWING

A



No.	Description
A	Pressure balanced diverter valve
A1	Valve
A2	Face plate with sealjoint
A3	Diverter knob kit
A3-1	Trim cap (A-3 included)
A3-2	Allen screw (A-3 included)
A4	Shower valve handle
A4-1	Trim cap (A-4 included)
A4-2	Allen screw (A-4 included)
B	Handheld Shower Kit with Flexible Hose
B1	Flexible hose
B2	Wall Bracket
B3	Handheld Shower
C	Shower head
D1 or D2	Shower arm and flange kit
	Ceiling shower arm and flange kit

SHOWER SYSTEM FAUCET

Installation instruction



MB/BN/BG/CH/ORB

CARE INSTRUCTIONS

Rinse the product with clear water. Dry the product with a soft cloth.

DO NOT:

Use abrasive cleansers, cloths, or paper towels. Use any cleaning agents containing acid, polish, wax, alcohol, ammonia, bleach, solvent or any other corrosive or harsh chemical cleansers.

! IMPORTANT

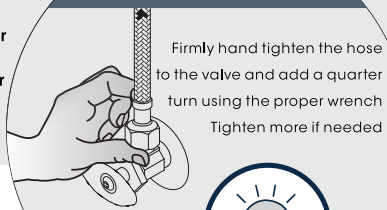
We recommends using a professional plumber for all installtion and repair. Please inform yourself about the canadian plumbing code`s regulations and your local municipality plumbing codes before instaillation.the canadian plumbing code requires the installation of urge arresting devices to eliminate water hammering.allow an adequate opening in orderto easilyaccess connections or other plumbing devicesfor maintenance or repair.

RECOMMENDED TOOLS



* Apply plumber's putty under the plastic cover deck plecta to seal your installation.
Appliquez du mastic pour plombier sous la sous-plaque de plastique pour rendre votre installation étanche.

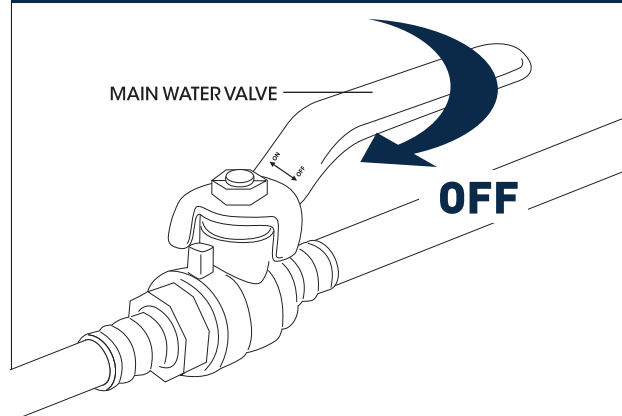
CONNECTION ADVICE



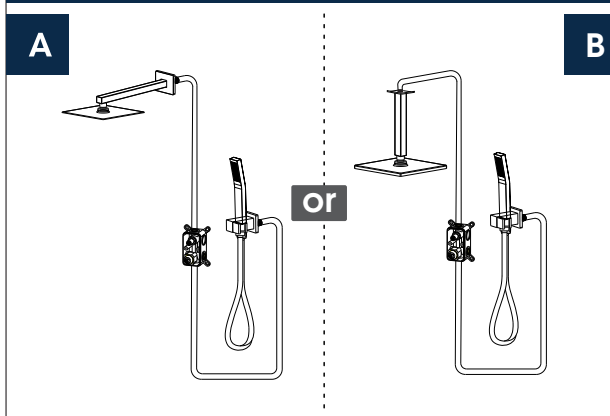
The model shown in the installation steps may differ from the one in box however connection type and installation steps are the same.

INSTALLATION STEPS

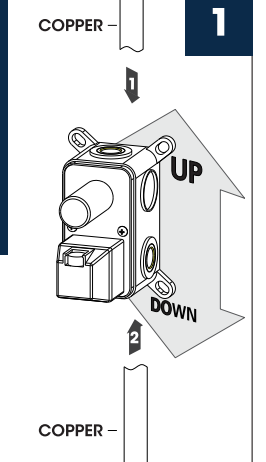
BEFORE YOU BEGIN



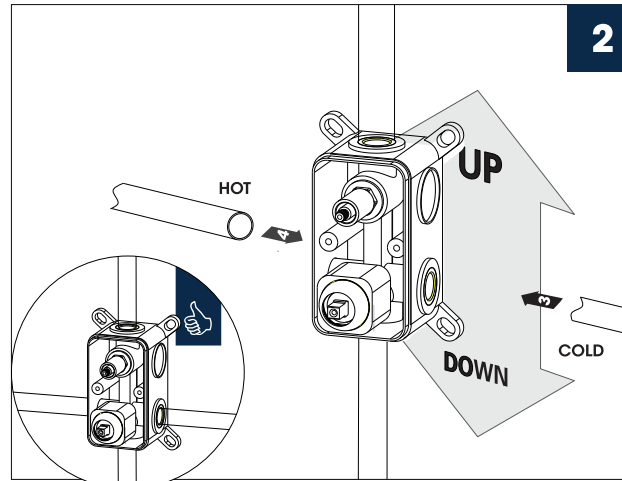
INSTALLATION WAY



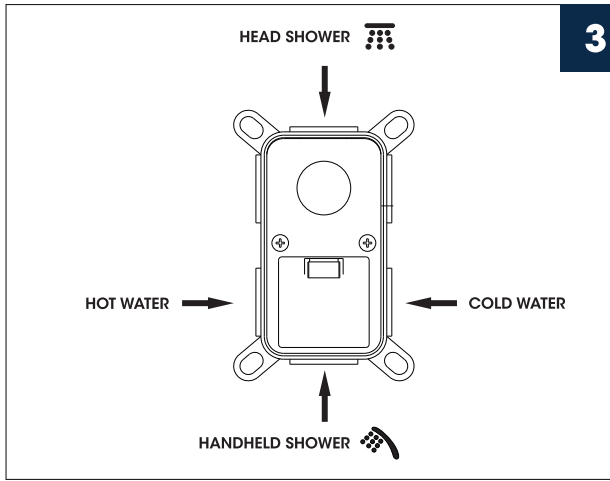
Rough-In-Installation primaire



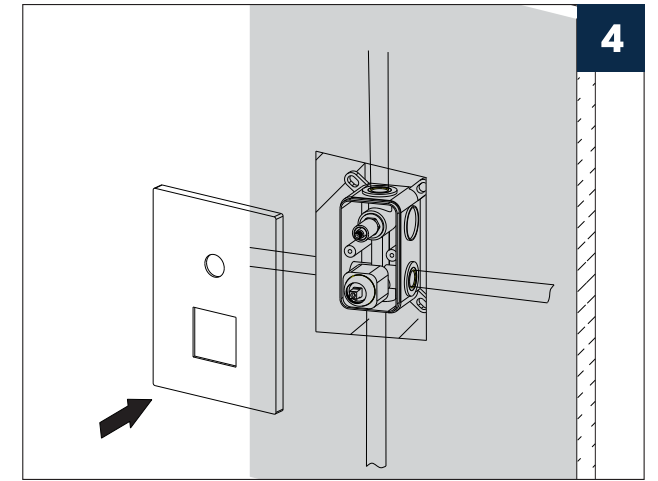
2



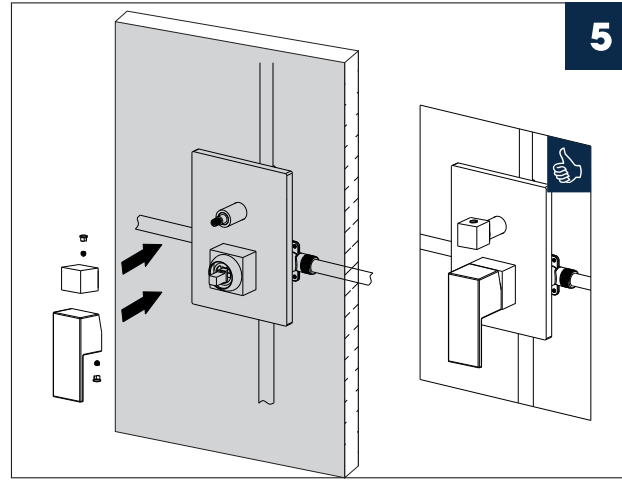
3



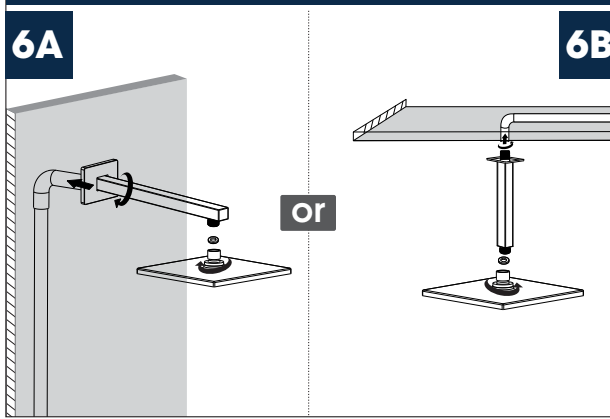
4



5



HEAD SHOWER



HANDHELD SHOWER

7

