

## SELF-CHECK AFTER INSTALLATION

If you have followed the instructions but the faucet still does not work, please take the following corrective actions:

Problem	Cause	Solutions
No water or little water	Water supply is not turned on	Turn on water supply
	The filter gasket inside faucet head is blocking	Unscrew faucet head and clean the filter gasket
Water leakage at the faucet head	Reinstall faucet head without filter gasket	Install the filter gasket inside faucet head properly
	Improper installation of filter gasket	
Water leakage at the pipes	The loose connection of the cartridge and pipe	Tighten the pipes by hand
	O-ring damage caused by removing hot&cold water pipes	Replace the O-ring
Unstable faucet	Loose hardware under the countertop	Tighten the hardware

If you have any quality problems, please feel free to contact us:

## DAILY MAINTENANCE

To preserve your faucet, please clean periodically with a soft cloth. Do not clean it with acid, abrasives or a cloth with coarse surface.

## CERTIFICATION

This product has passed inspection  
and is approved for delivery.

Product Name: \_\_\_\_\_ Model Number: \_\_\_\_\_

Inspector: \_\_\_\_\_ Date: \_\_\_\_\_

# Pull Out Kitchen Faucet Installation Manual

Please read this manual carefully before installation,  
and keep it properly.




## BEFORE YOU BEGIN

Welcome to use products. In order to use and maintain this product correctly, you shall strictly follow the instructions as this manual described. Install the product by professionals, and use it in accordance with the instructions in the manual. Higold will not be liable for any economic and legal responsibility for product damage or property loss or even personal injury caused by improper installation and use that are not in accordance with the instructions.

## CAUTION

1. Before installing the faucet, please remove impurities and sludge in the pre-buried cold and hot water pipes to avoid affecting the water outlet function.
2. Recommended working water pressure range 0.1-0.5 MPa, the maximum pressure is 1 MPa, and the test water pressure is 1.6MPa (1MPa=10bar=147PSI). The recommended temperature of water range 4-65°C, and it is not recommended to use over 70°C. If necessary, the time should not exceed 4min.
3. If the picture or text description in this installation manual does not match the actual product, please refer to the actual product.
4. Before the medium water enters the faucet, please make sure that the pressure of hot and cold water is equal, and the water does not contain particles or increase the filtering function.

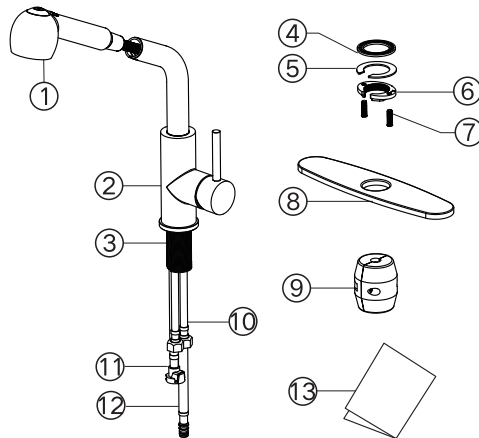
Recommended Tools

Wrench	Screwdriver	Flashlight	Teflon Tape	Gloves
				

## ACCESSORIES LIST

Please check the accessories according to the table and picture below. If any part is missing or damaged, please contact Customer Service Team. Email:

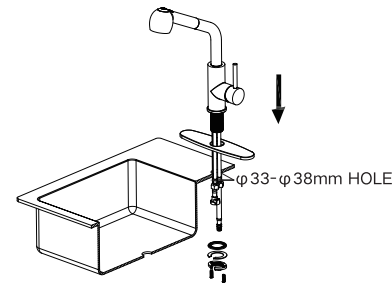
No.	Name	Quantity
1	FAUCET HEAD	1
2	FAUCET BODY	1
3	THREADED SHANK	1
4	RUBBER GASKET	1
5	STAINLESS STEEL WASHER	1
6	LOCKNUT	1
7	SCREWS	2
8	DECK PLATE	1
9	WEIGHT	1
10	HOT & COLD WATER PIPES	2
11	CONNECTING HOSE	1
12	PULLING HOSE	1
13	INSTALLATION MANUAL	1



## INSTALLATION STEPS

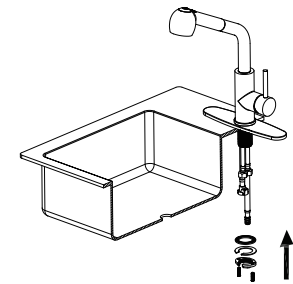
ATTENTION: Please wear gloves to prevent injuries before installation.

1



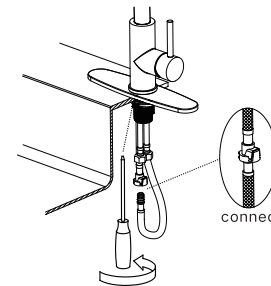
- Unscrew RUBBER GASKET, STAINLESS STEEL WASHER, LOCKNUT and SCREWS from faucet.
- Install the DECK PLATE if needed.

2



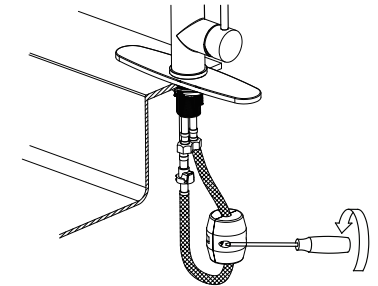
- From below, put RUBBER GASKET, STAINLESS STEEL WASHER, LOCKNUT and SCREWS through THREADED SHANK in order.

3



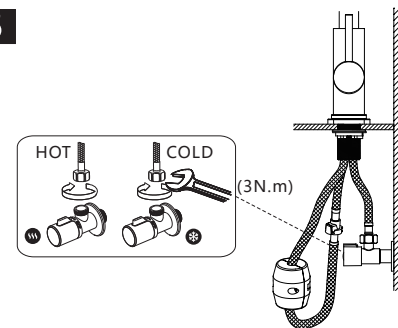
- Tighten LOCKNUT by hand and SCREWS with screwdriver.
- Connect PULLING HOSE to CONNECTING HOSE.

4



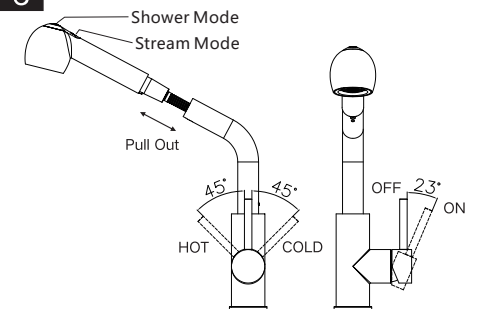
- After ensuring the faucet is stable, clasp the Weight to the label place.

5



- Connect HOT&COLD WATER PIPES to valves respectively.

6



- Turn on the faucet and check.