

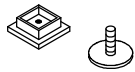


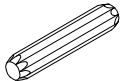

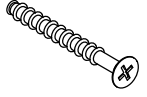
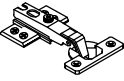

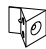


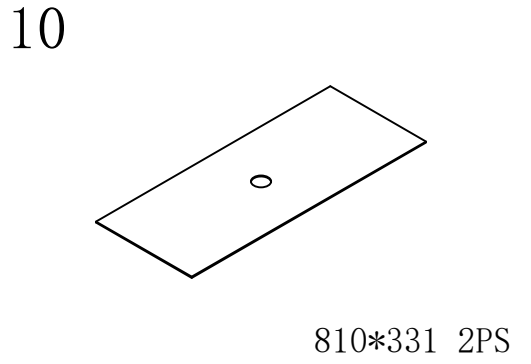
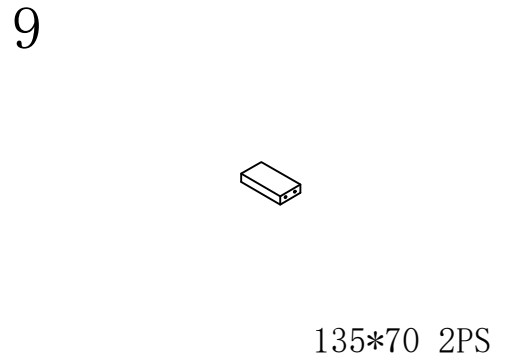
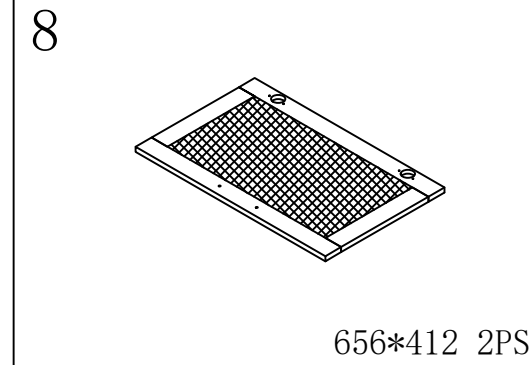
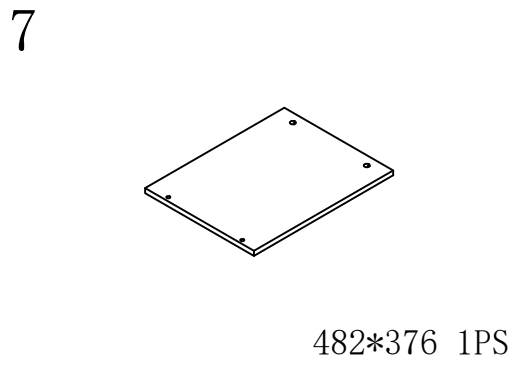
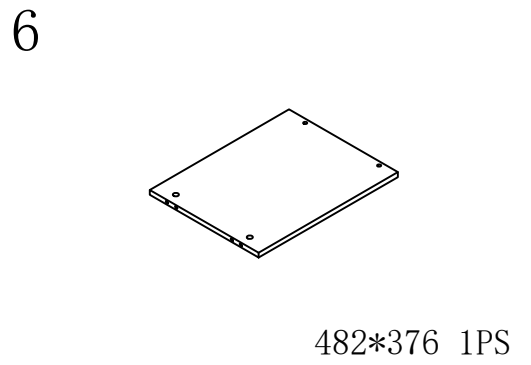
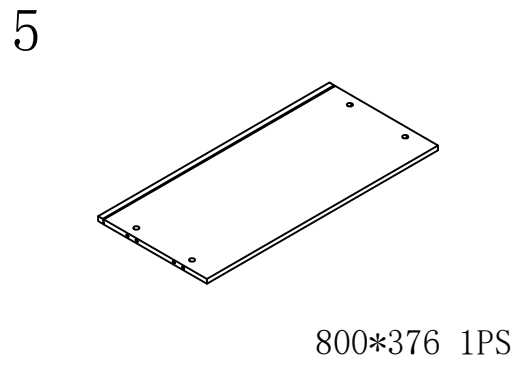
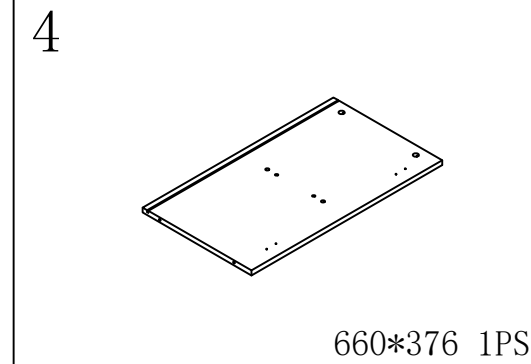
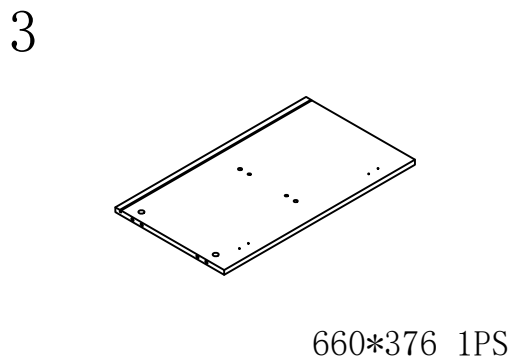
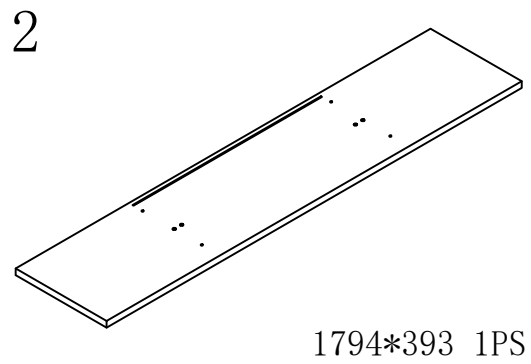
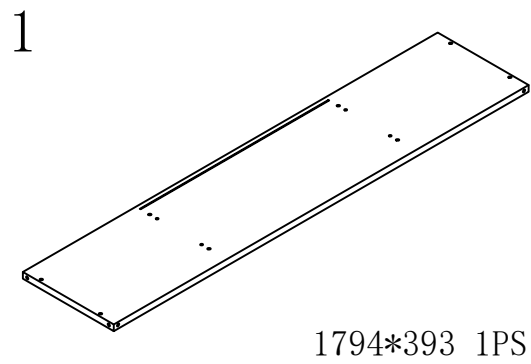


<b>K</b>  2PCS	<b>L</b> 4*18  4PCS	<b>M</b> 20*20  4PCS	<b>A</b>  12PCS	<b>B</b>  12PCS	<b>C</b> 8*40  12PCS	<b>D</b> 3.5*14  24PCS	<b>E</b> 7*50  8PCS	<b>F</b>  4PCS	<b>G</b> 6*10  20PCS	<b>H</b>  12PCS	<b>I</b> 3*12  12PCS	<b>J</b>  4PCS
---	--	---	---	--	---	---	---	---	---	--	---	---

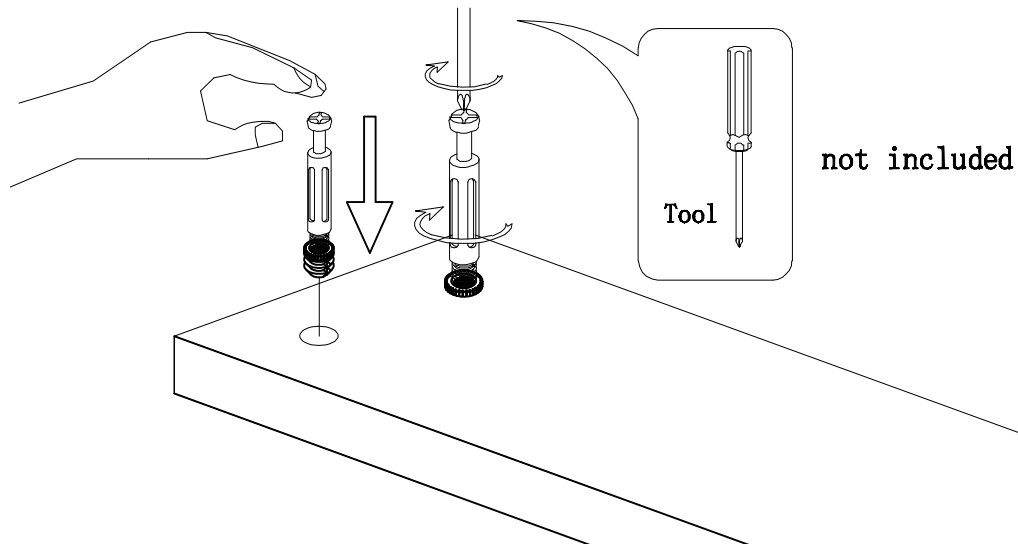




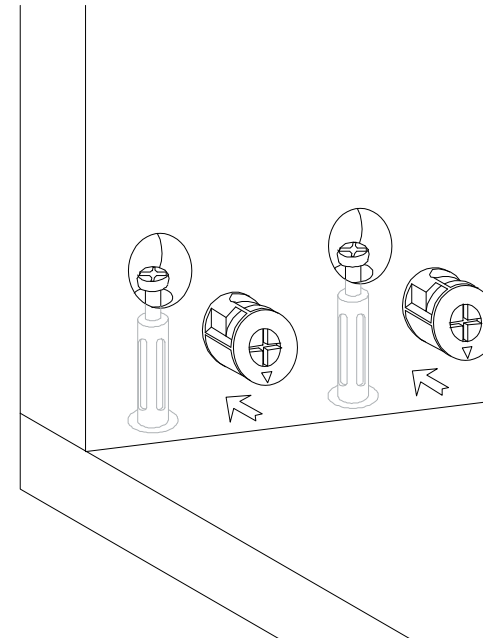
## Hardware installation demonstration

NOTE: Please make sure "A" hardware tightened and can't be pulled out!

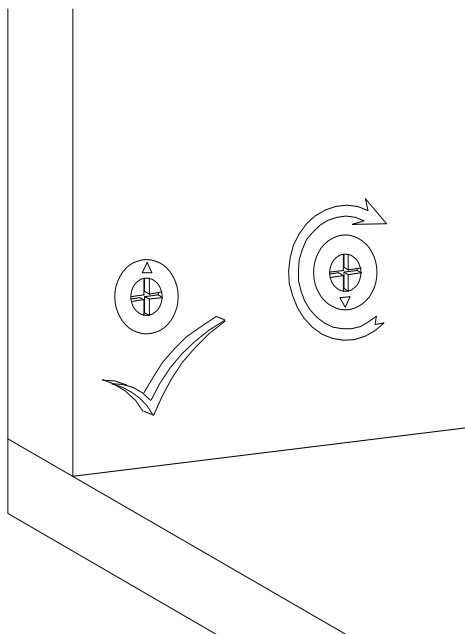
I



II



III

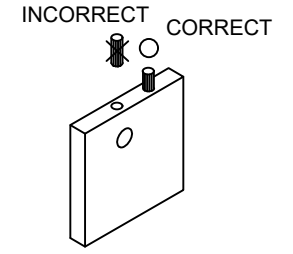
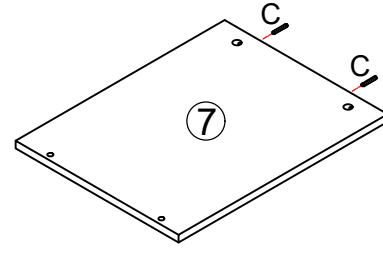
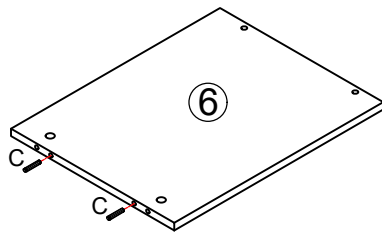
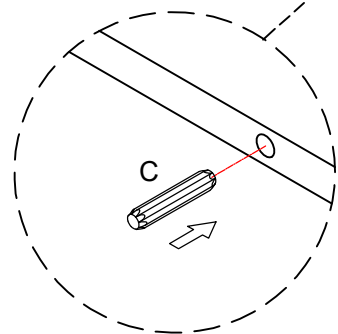
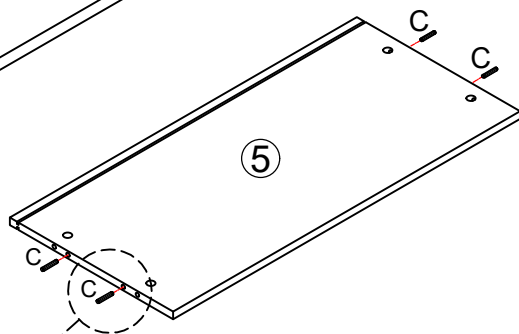
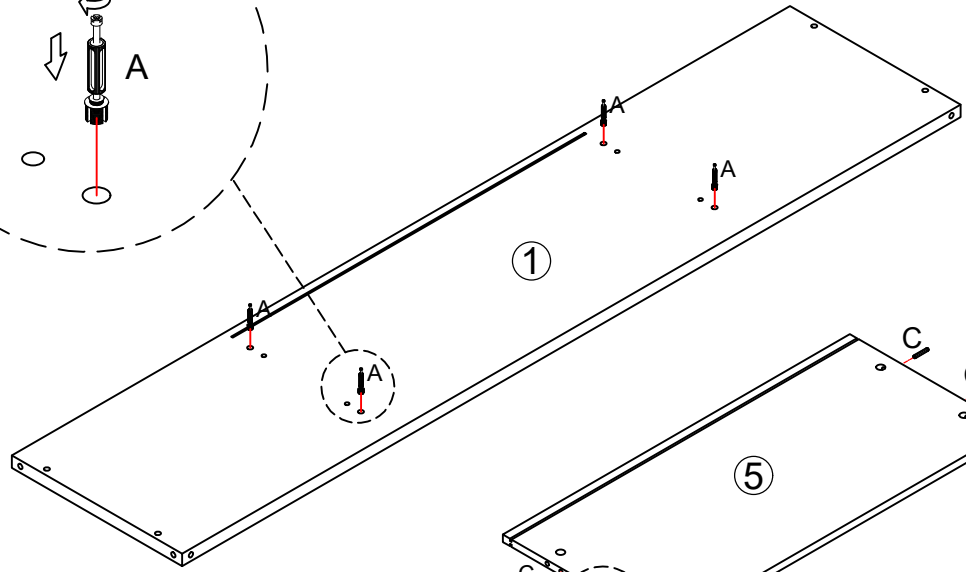
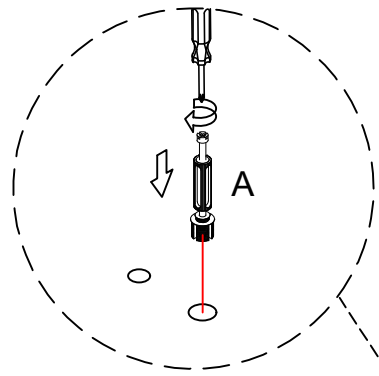



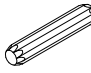
IV



Scan QR code for assembly video

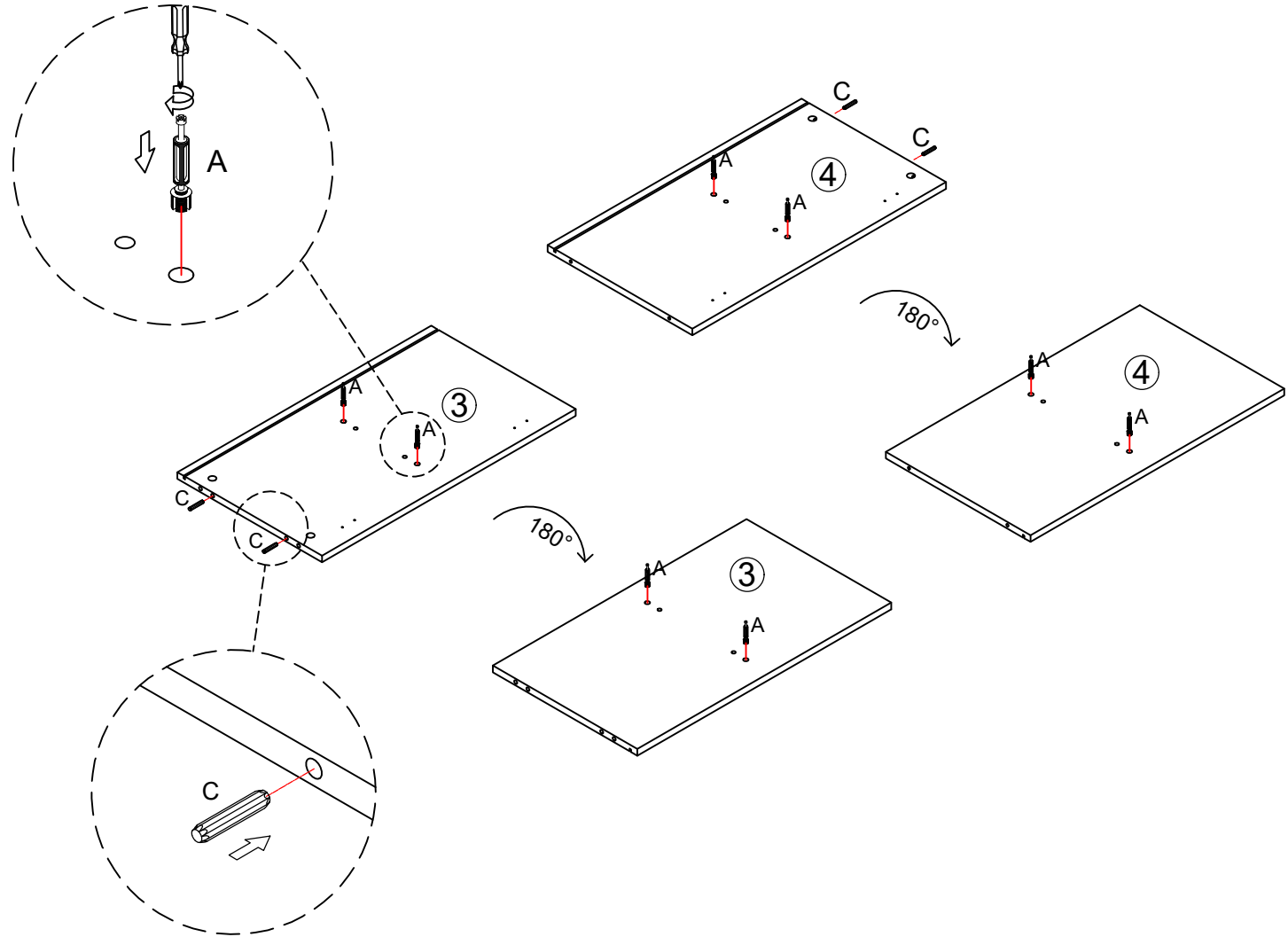
1



	A*4
	C*8

put A on board ①  
put C on board ⑤⑥⑦

2



A\*8



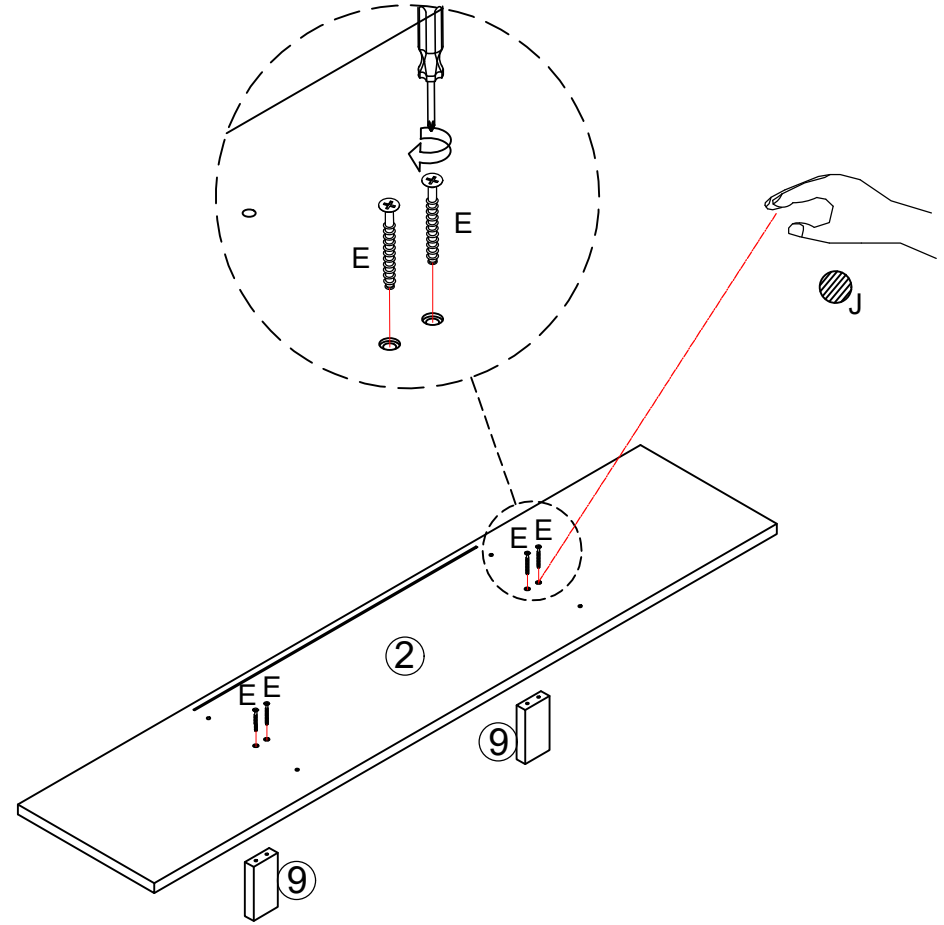
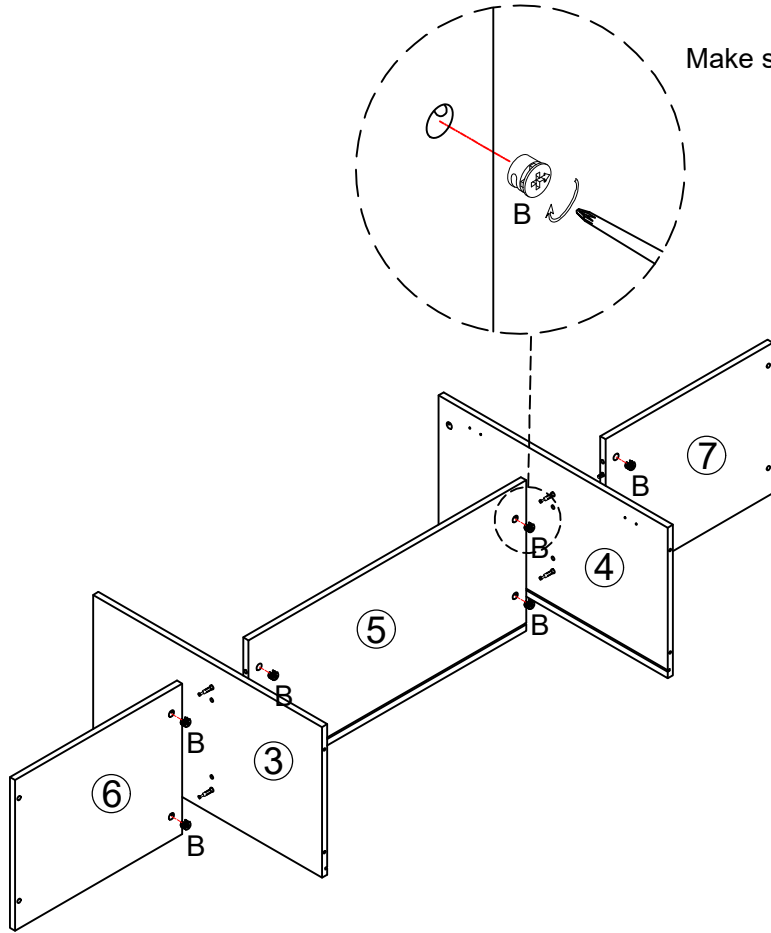
C\*4

put A on board ③ ④

put C on board ③ ④

3

Make sure the arrow on the screw align to the hole on the side.



B\*8



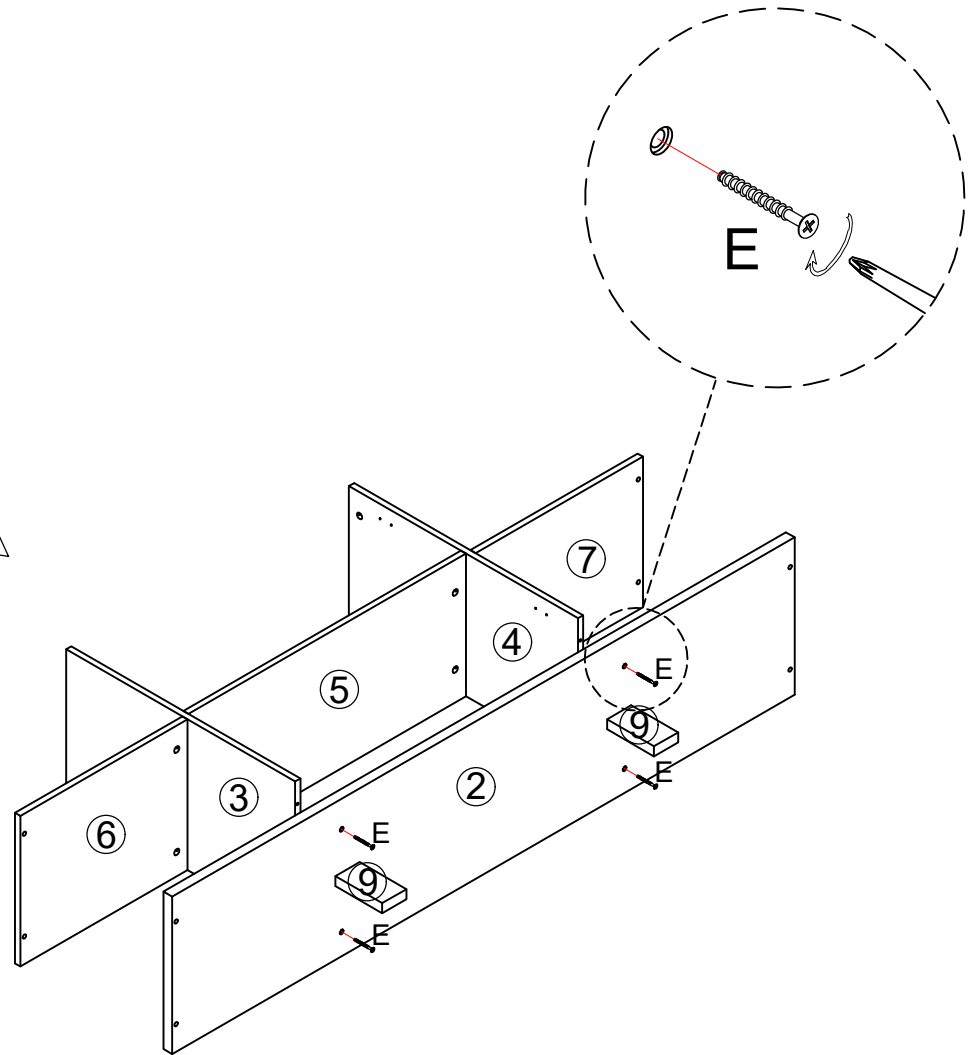
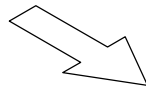
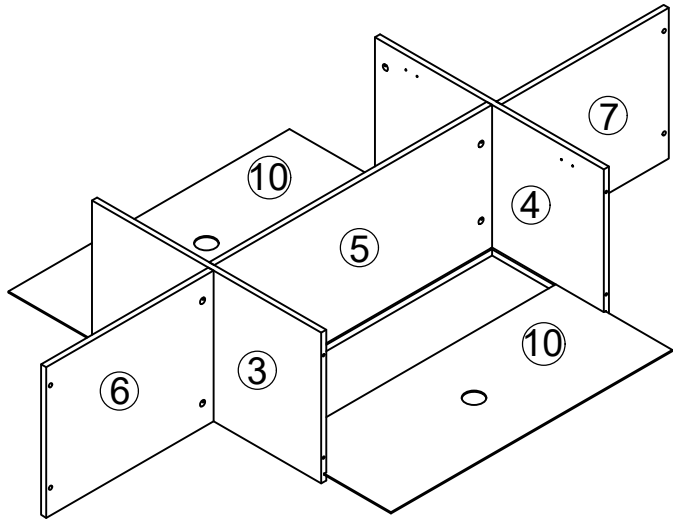
E\*4



J\*4

put B on board ⑤⑥⑦

4

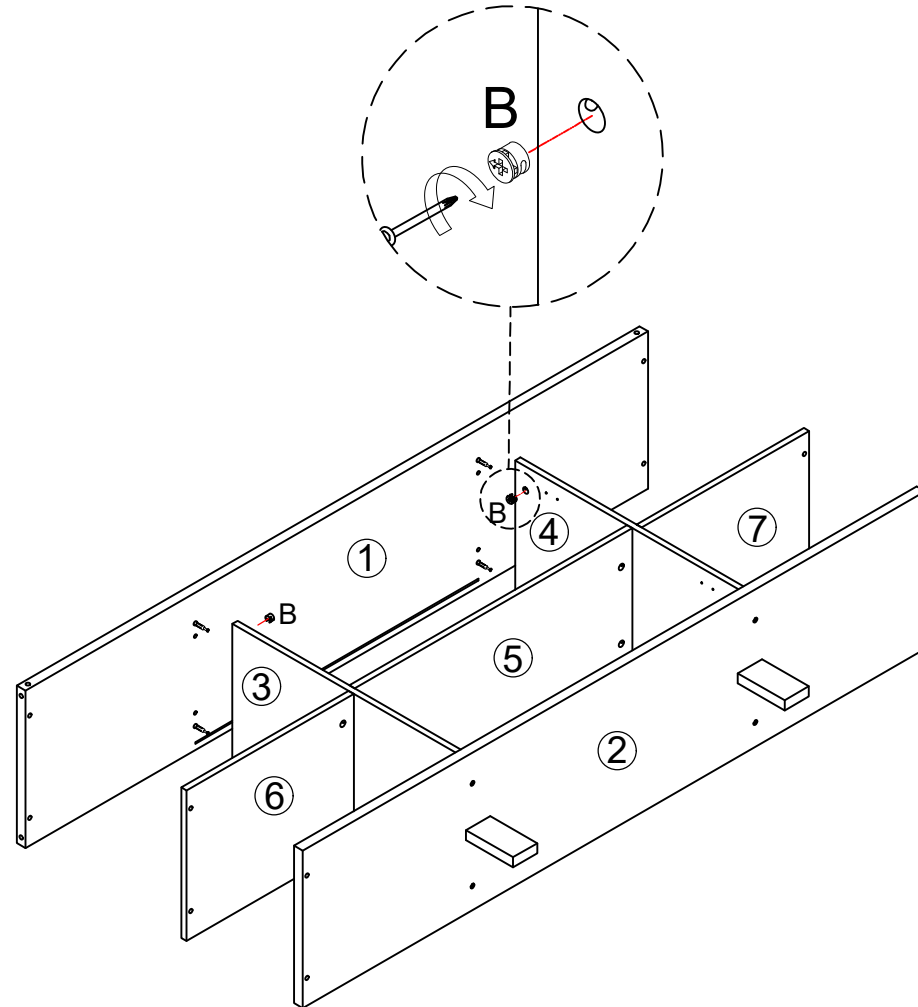


E\*4



5

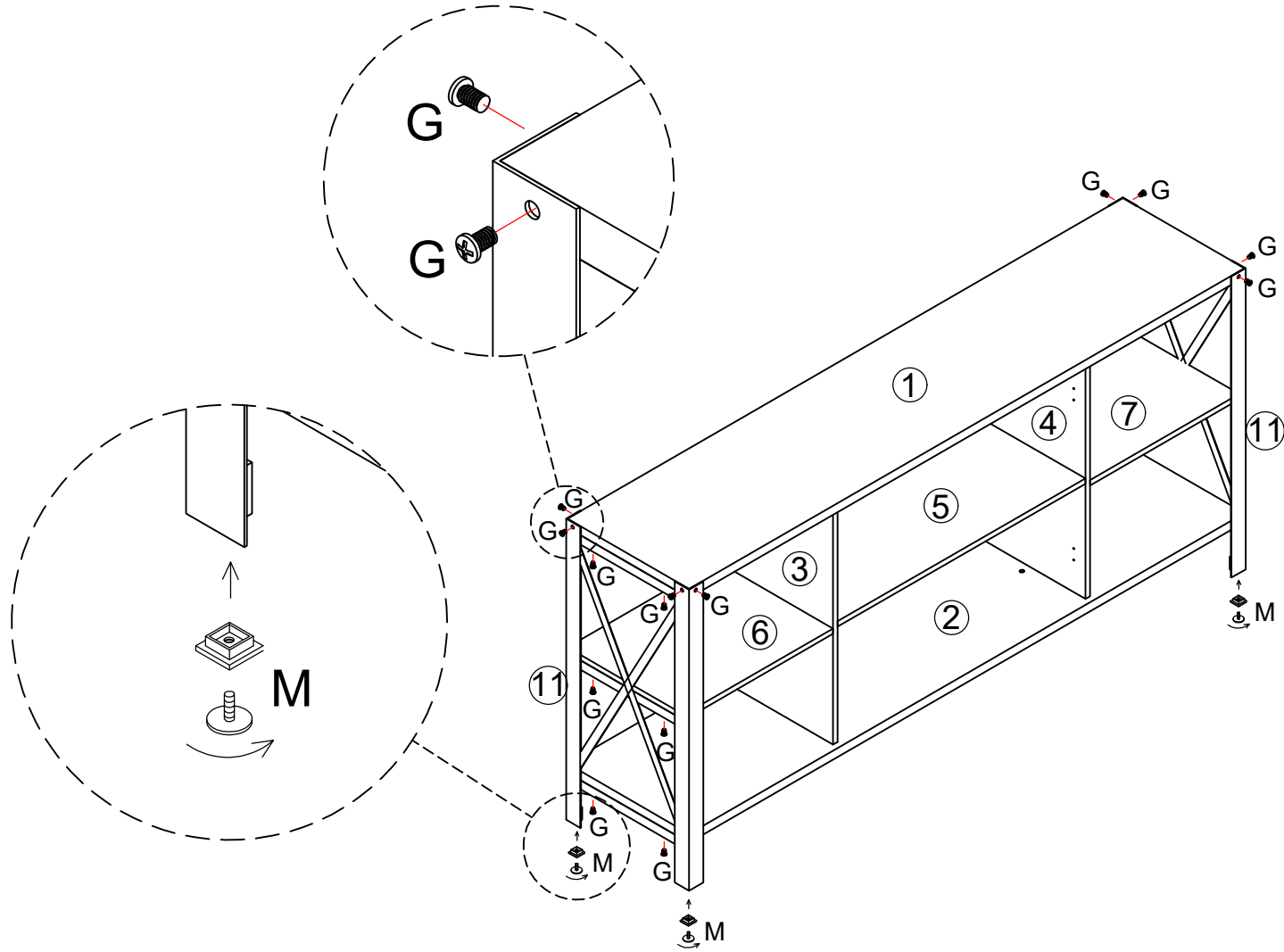
Make sure the arrow on the screw align to the hole on the side.





B\*4

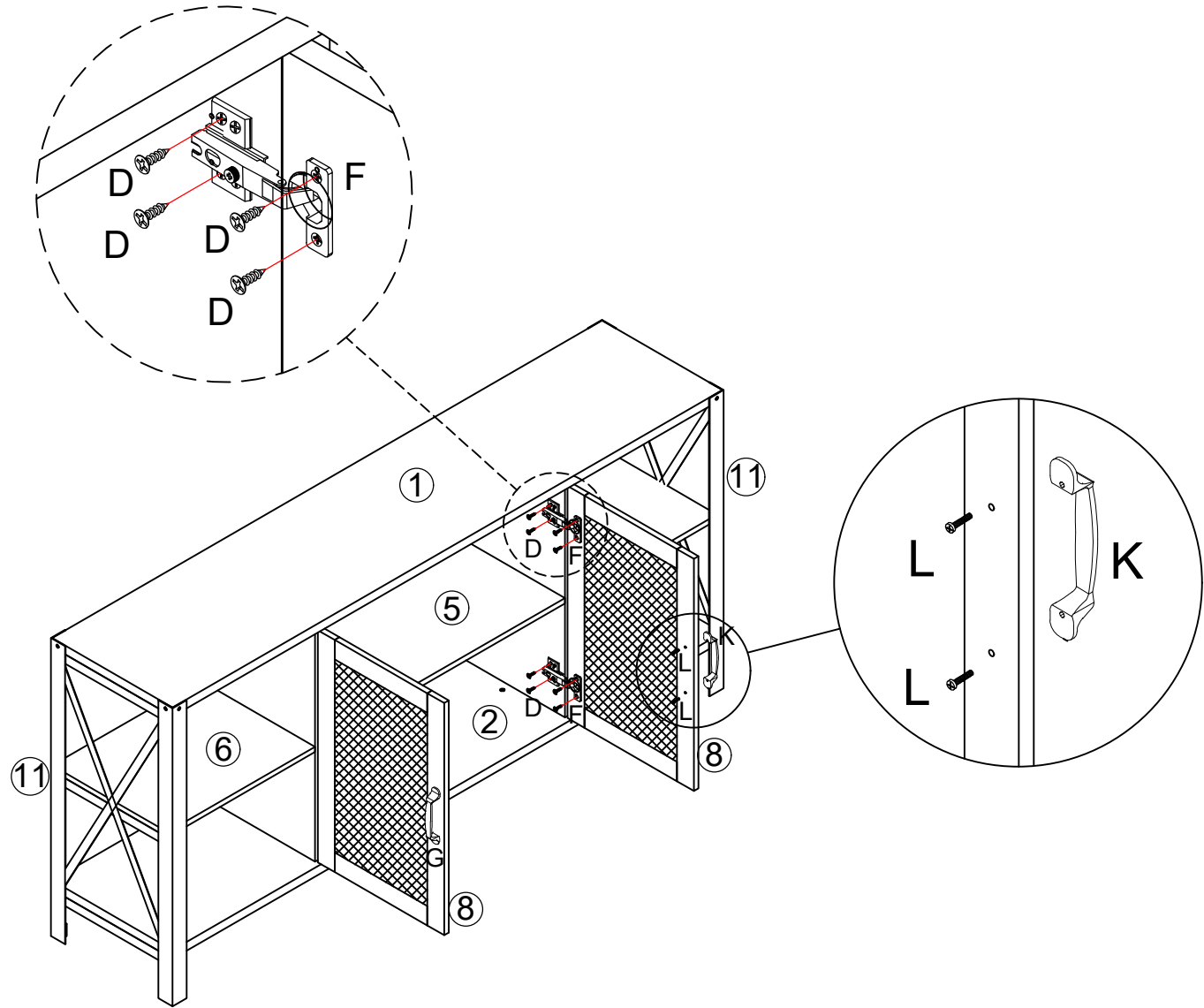
put B on board ③④

6

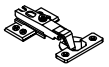


	G*20
	M*4

7



D\*24



F\*4

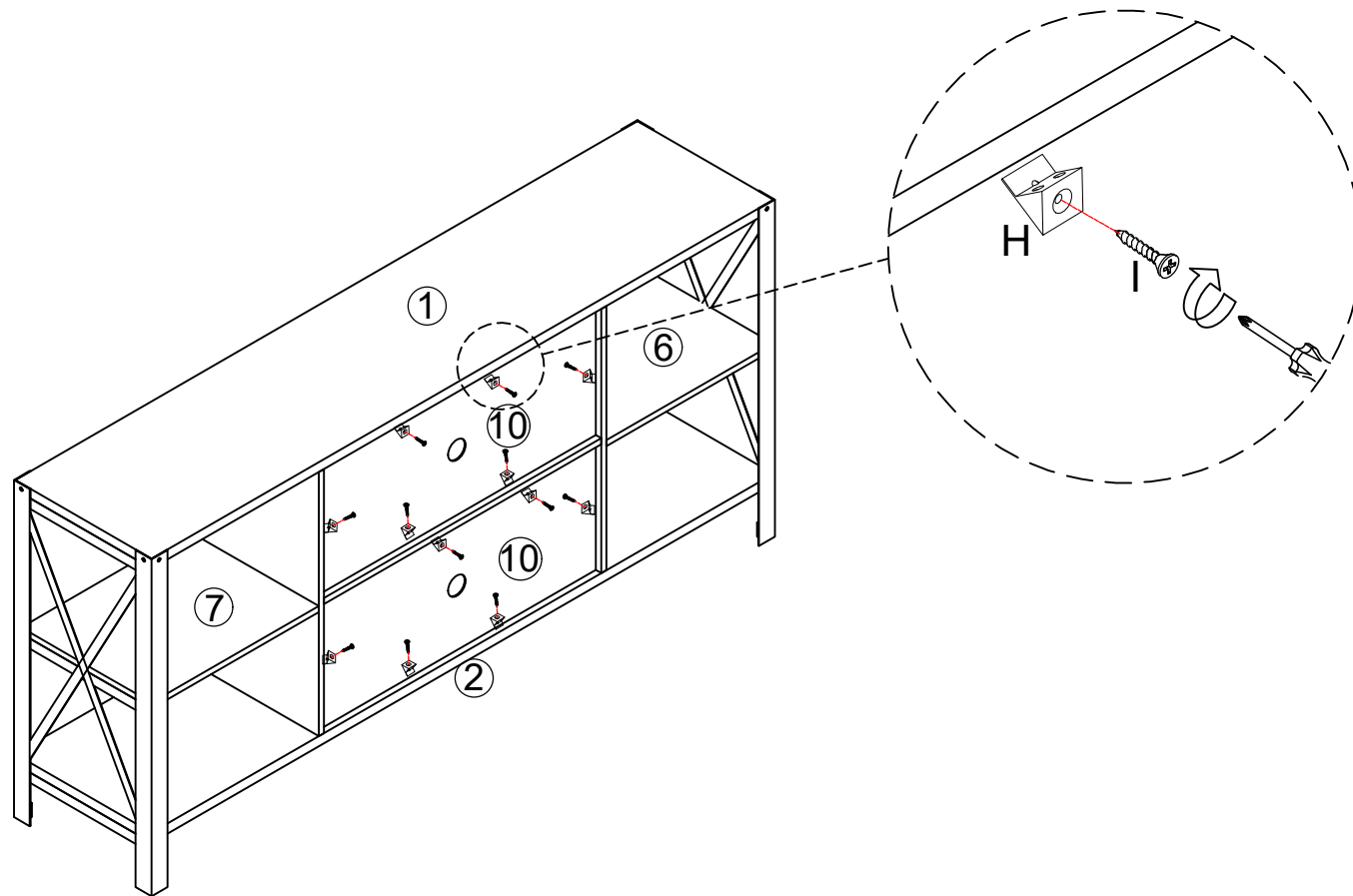


K\*2



L\*4

8



H\*12



I\*12

9

