

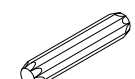
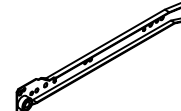

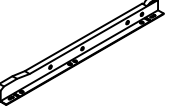
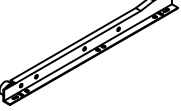
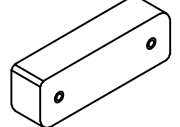


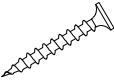
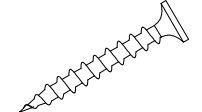
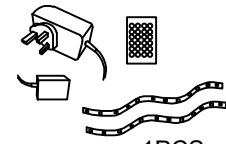
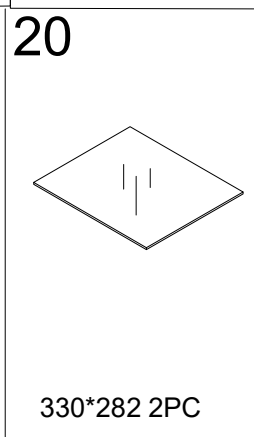
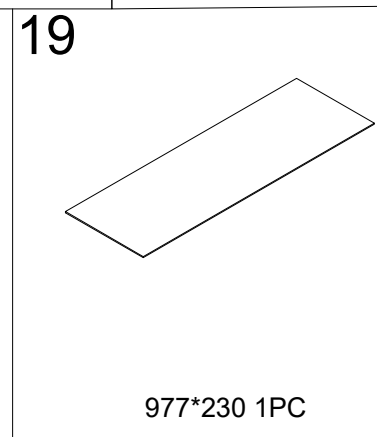
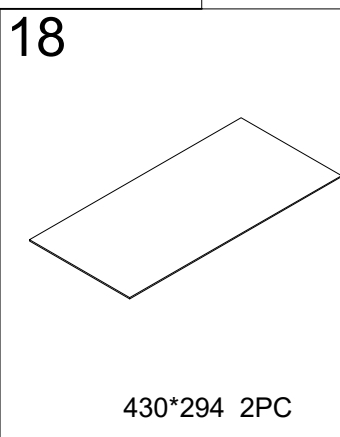
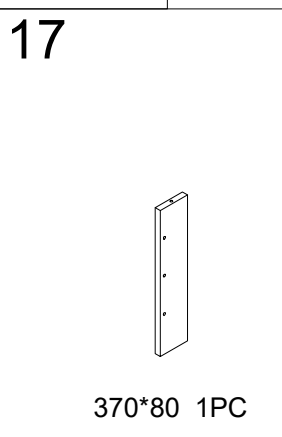
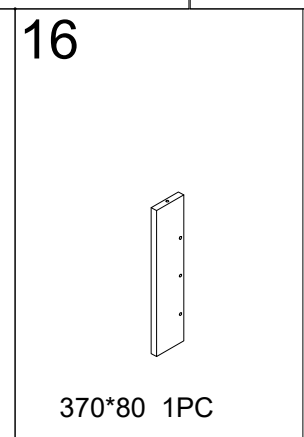
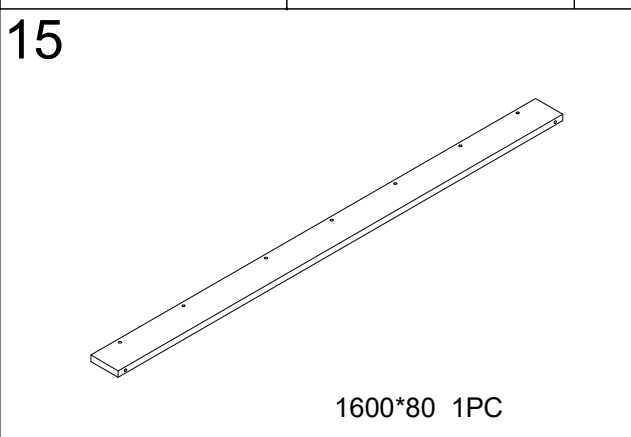
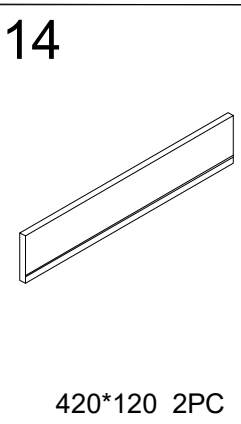
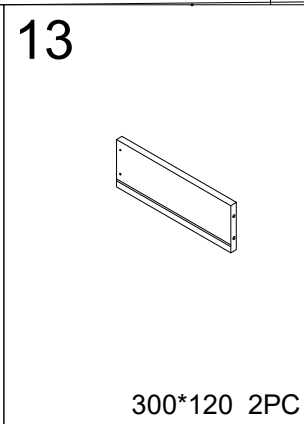
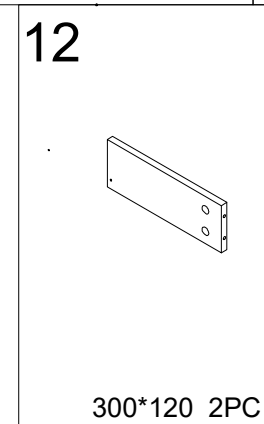
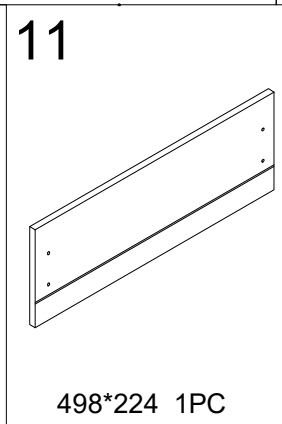
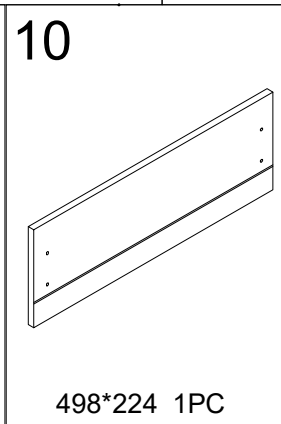
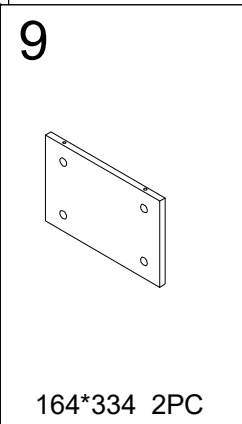
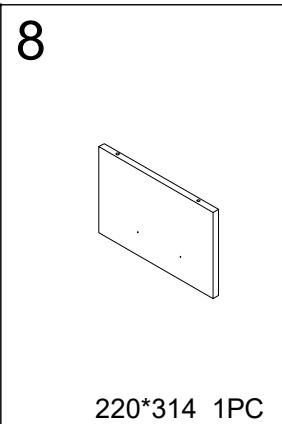
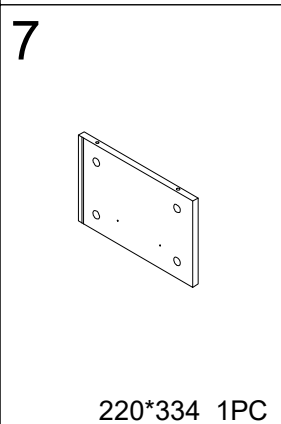
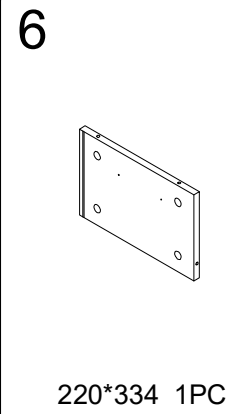
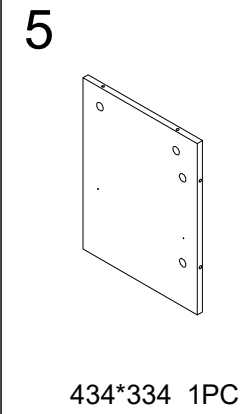
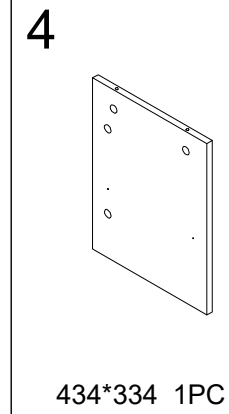
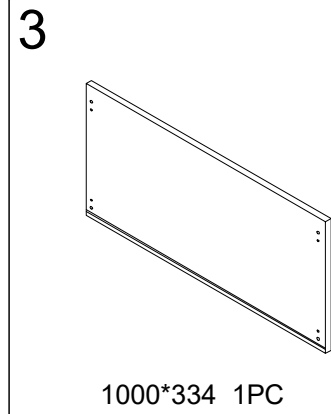
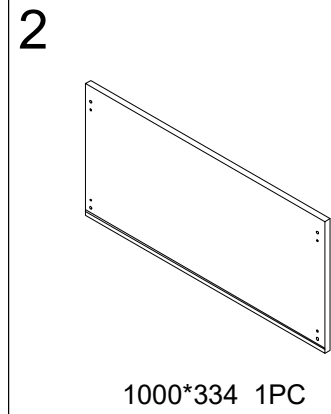
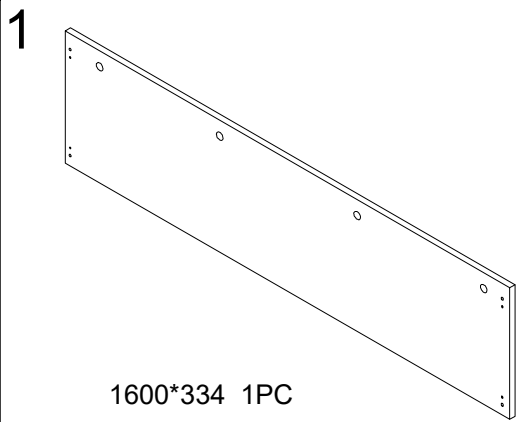
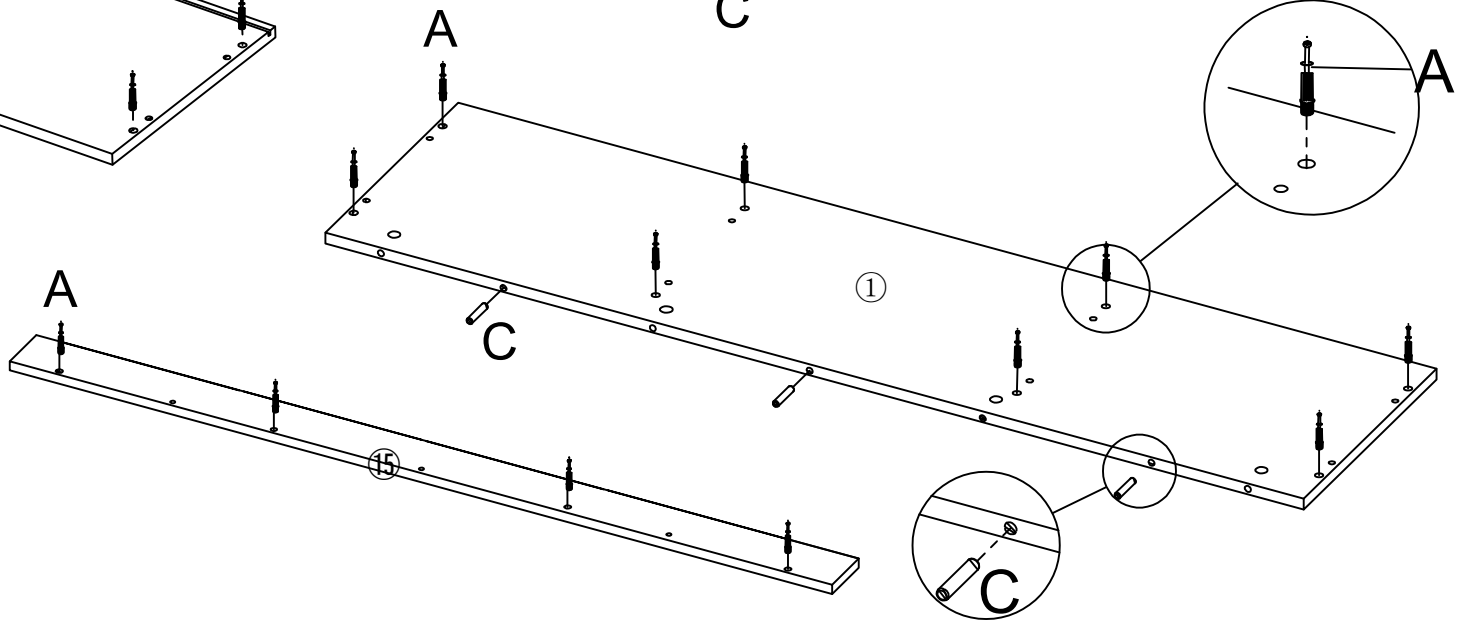
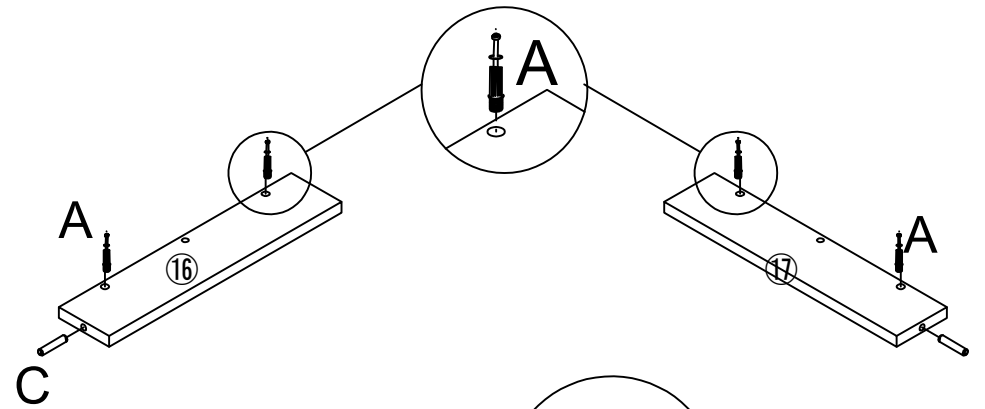
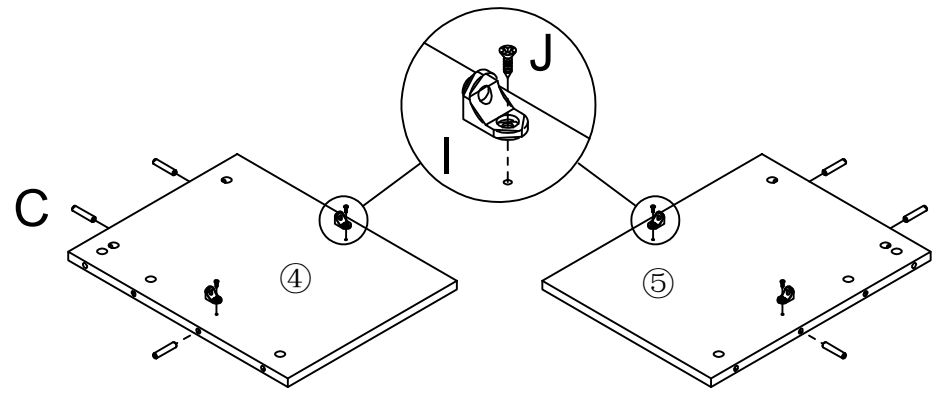
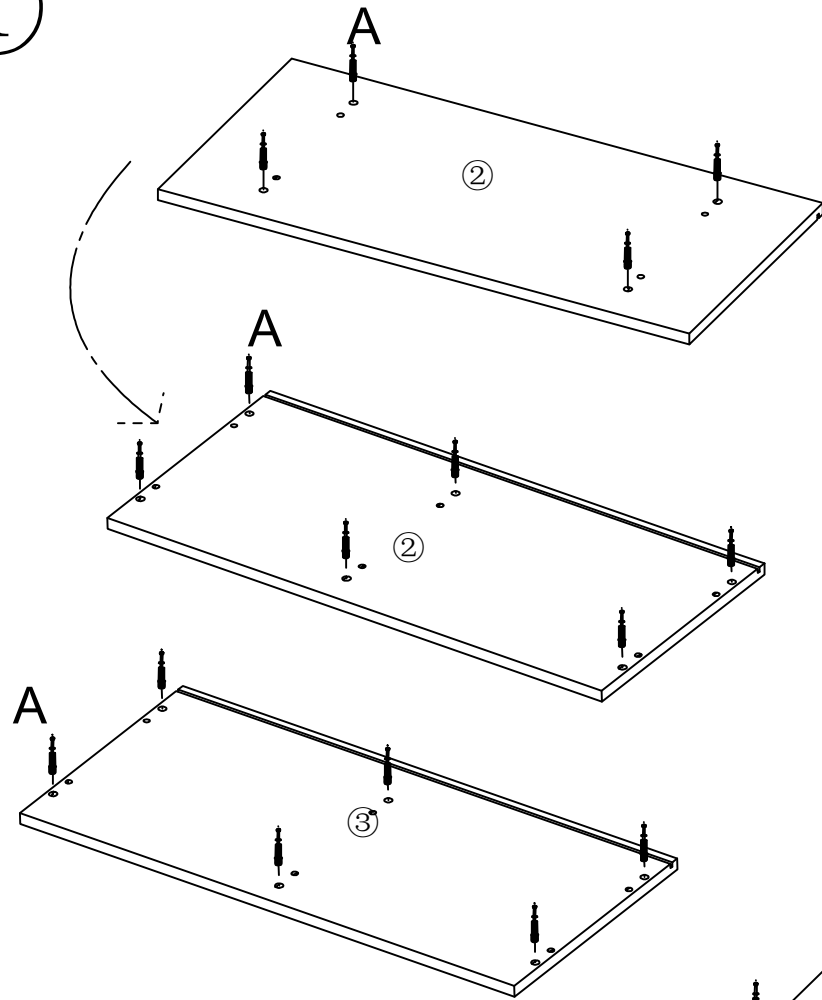

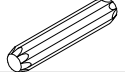




<p>A</p>  <p>40PCS</p>	<p>B</p>  <p>40PCS</p>	<p>C</p>  <p>31PCS</p>	<p>D</p> <p>300MM</p>  <p>2PCS</p>	<p>E</p> <p>300MM</p>  <p>2PCS</p>	<p>F</p> <p>300MM</p>  <p>2PCS</p>	<p>G</p> <p>300MM</p>  <p>2PCS</p>	<p>H</p>  <p>5PCS</p>	<p>I</p>  <p>8PCS</p>		
<p>J</p> <p>3.5*14</p>  <p>24PCS</p>	<p>K</p> <p>3.5*25</p>  <p>10PCS</p>	<p>L</p> <p>3.5*35</p>  <p>8PCS</p>	<p>LED</p>  <p>1PCS</p>							

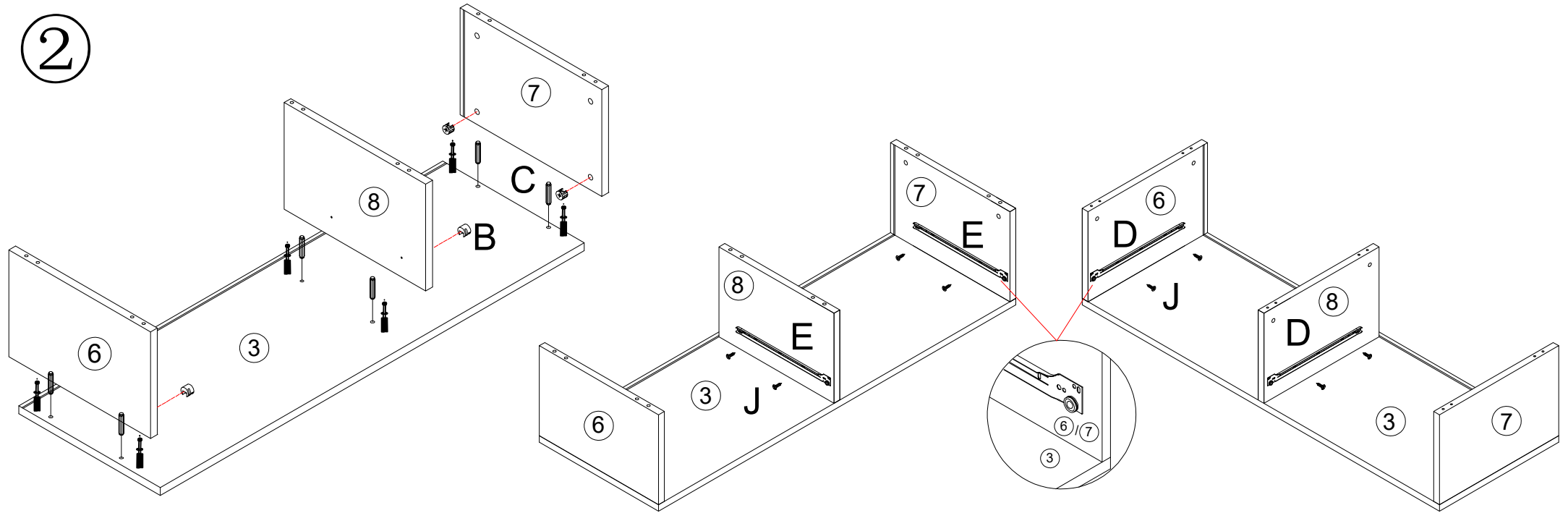




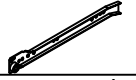
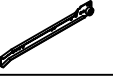

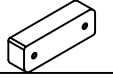

1

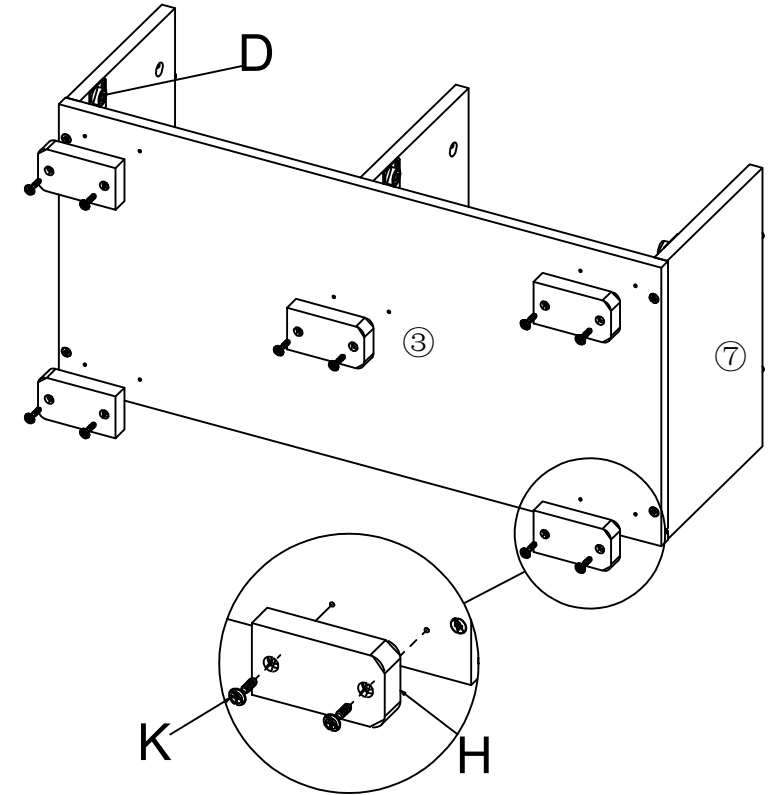
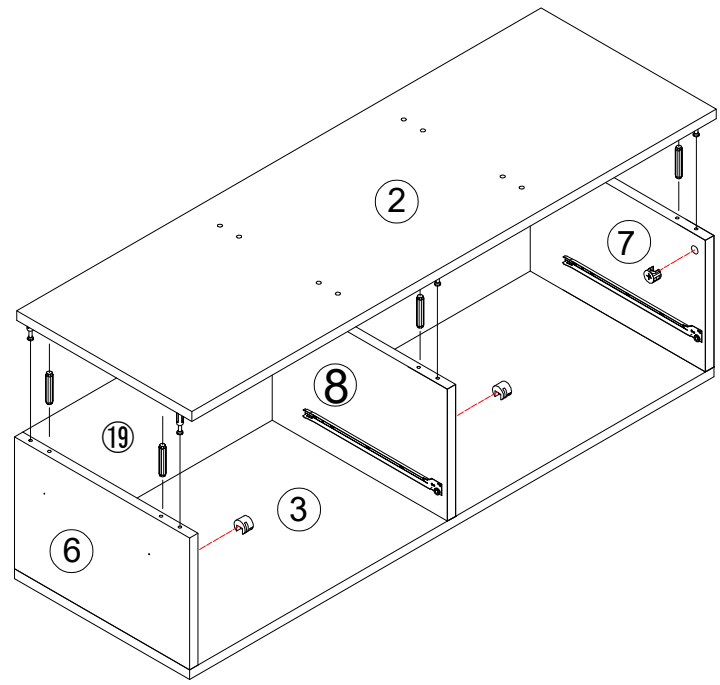


	A*32
	C*11
	I*4
	J*4

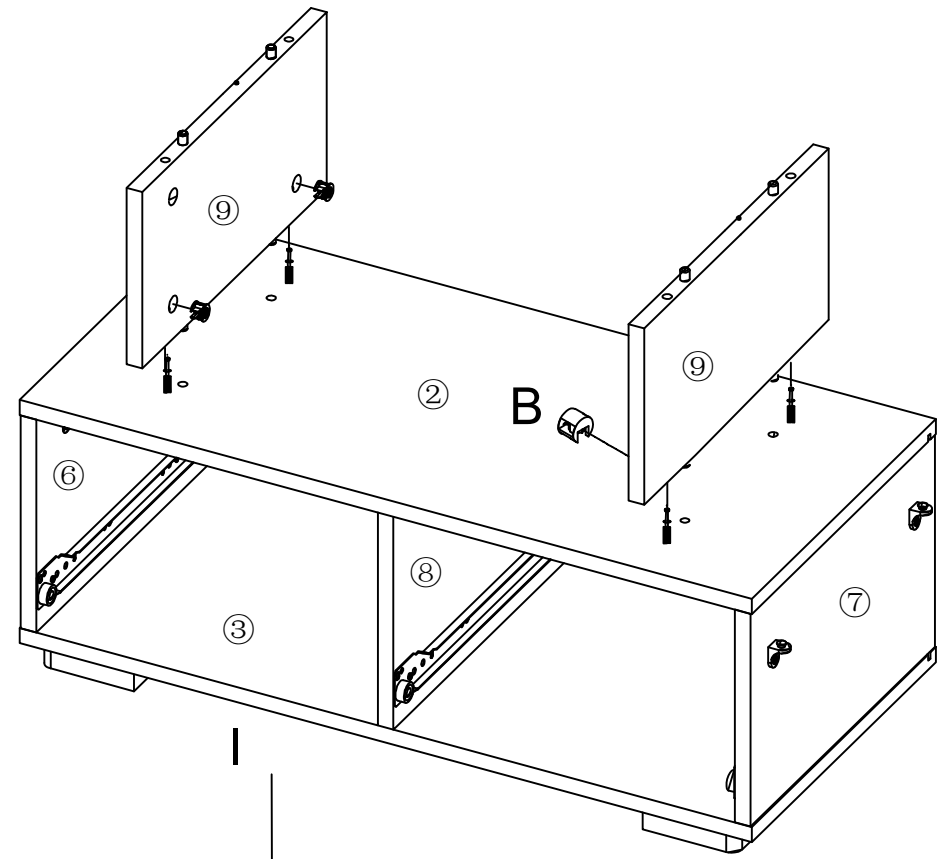
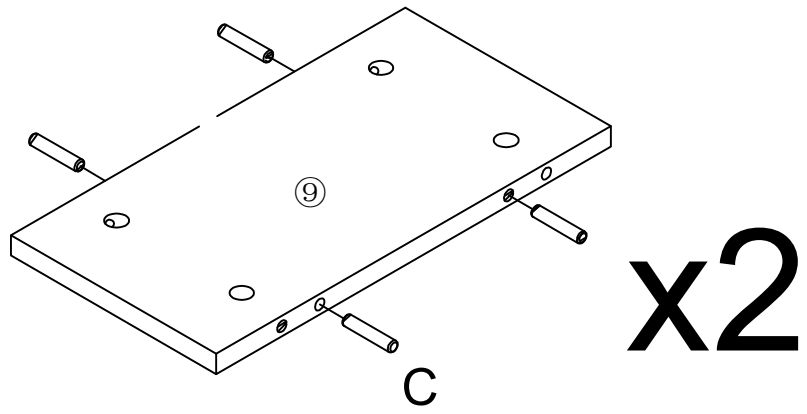
2







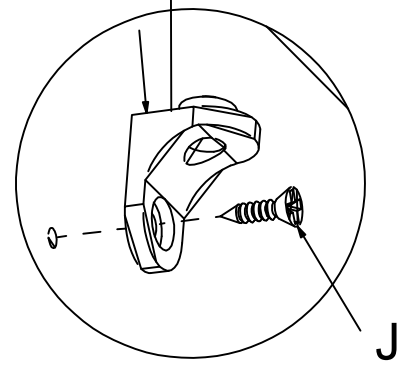
	B*12
	C*12
	D*2
	E*2
	J*8
	H*5
	K*10



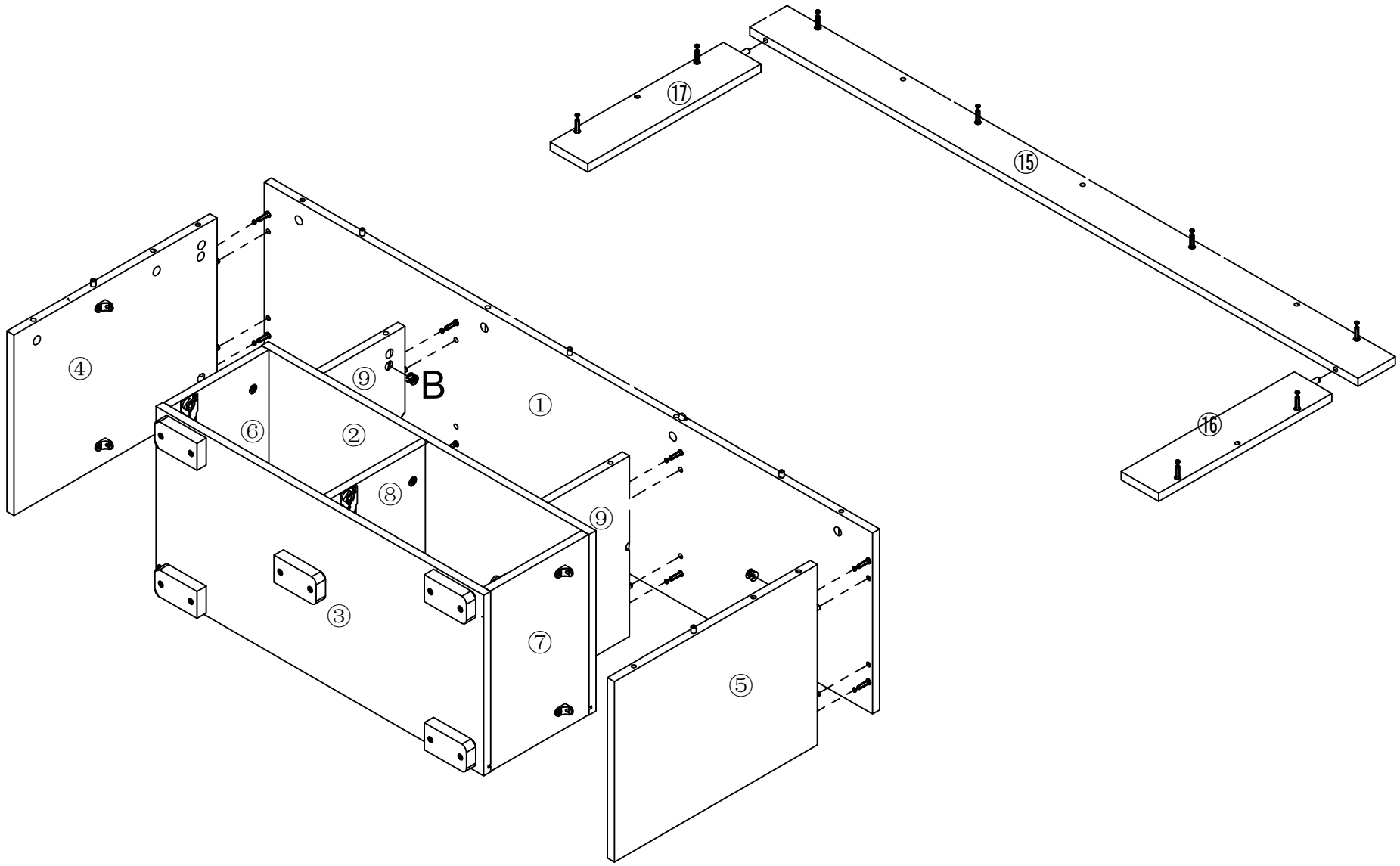
3



	B*4
	C*8
	I*4
	J*4

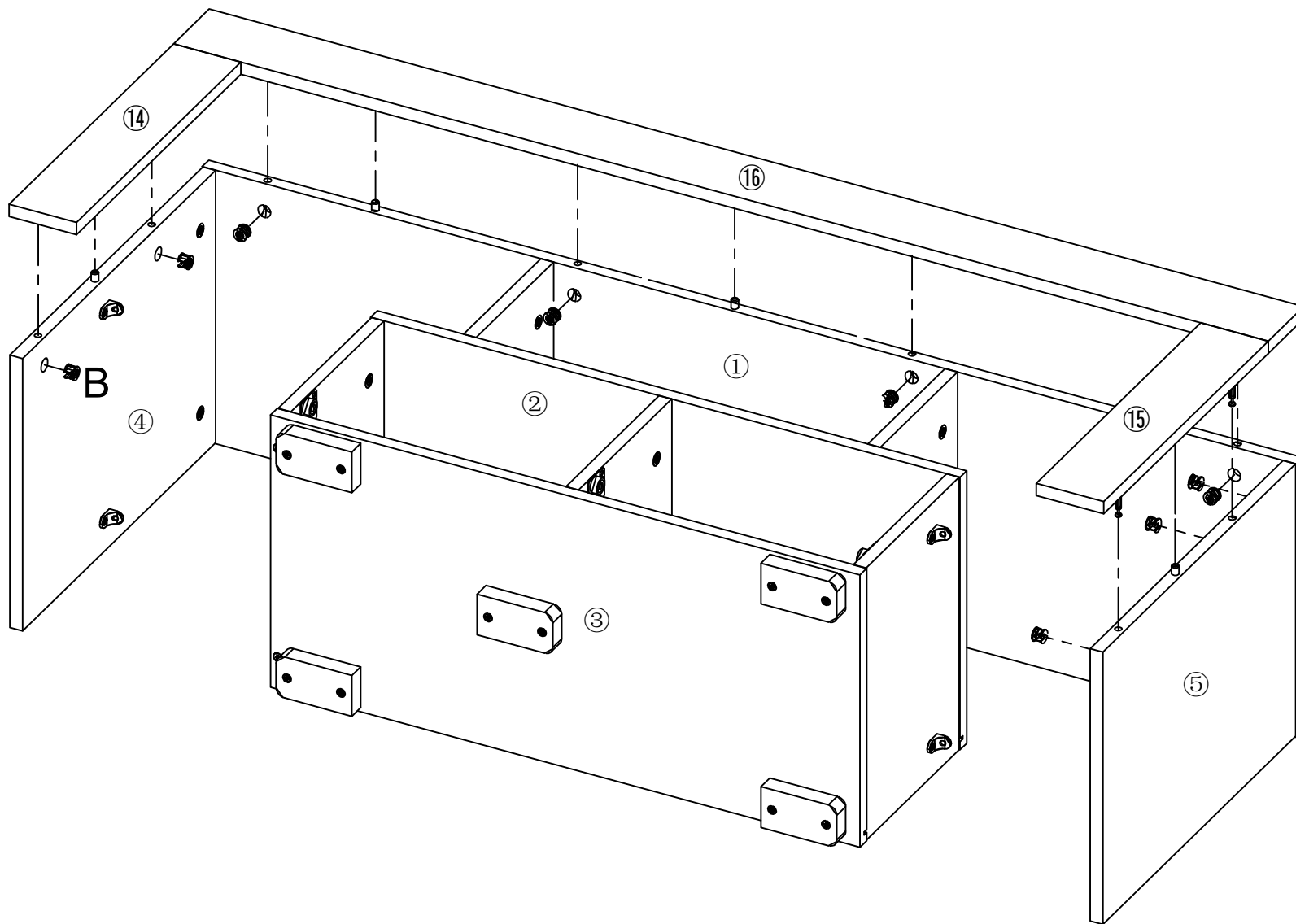


4



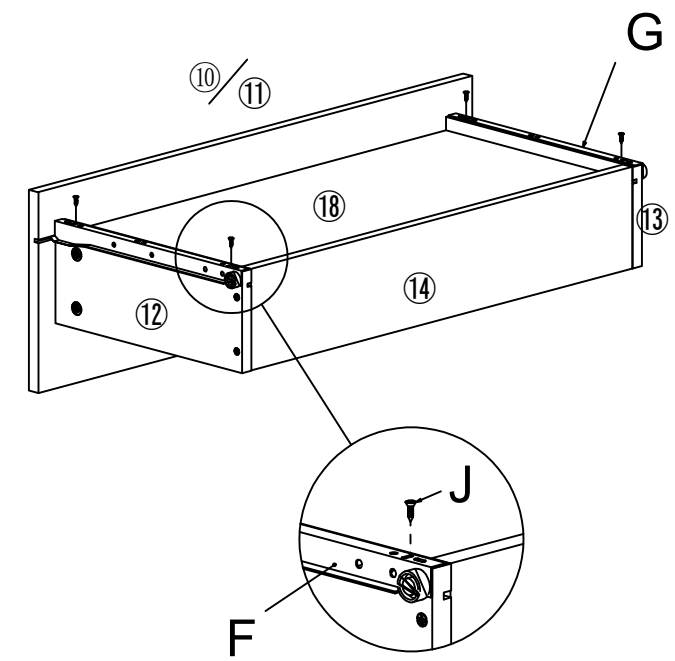
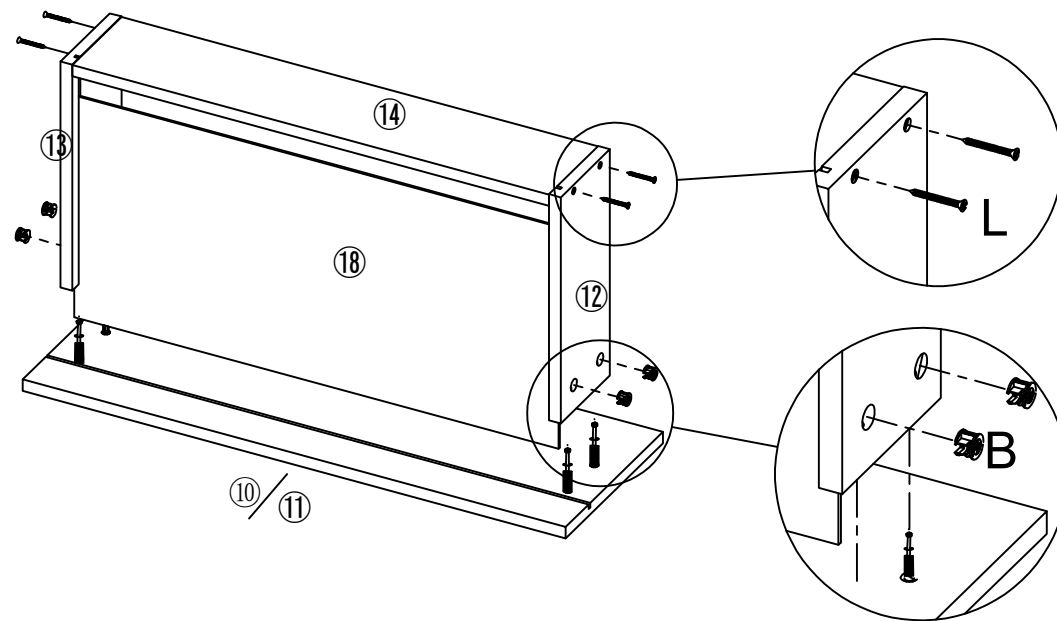
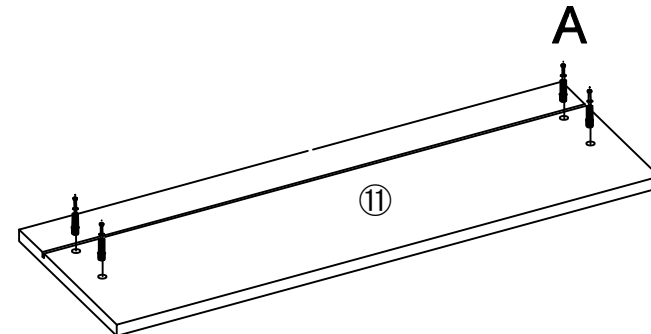
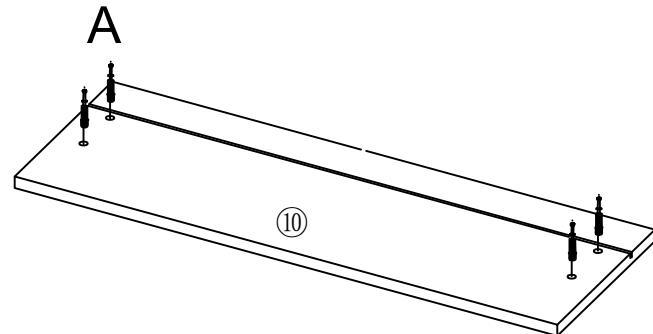
B*8







5



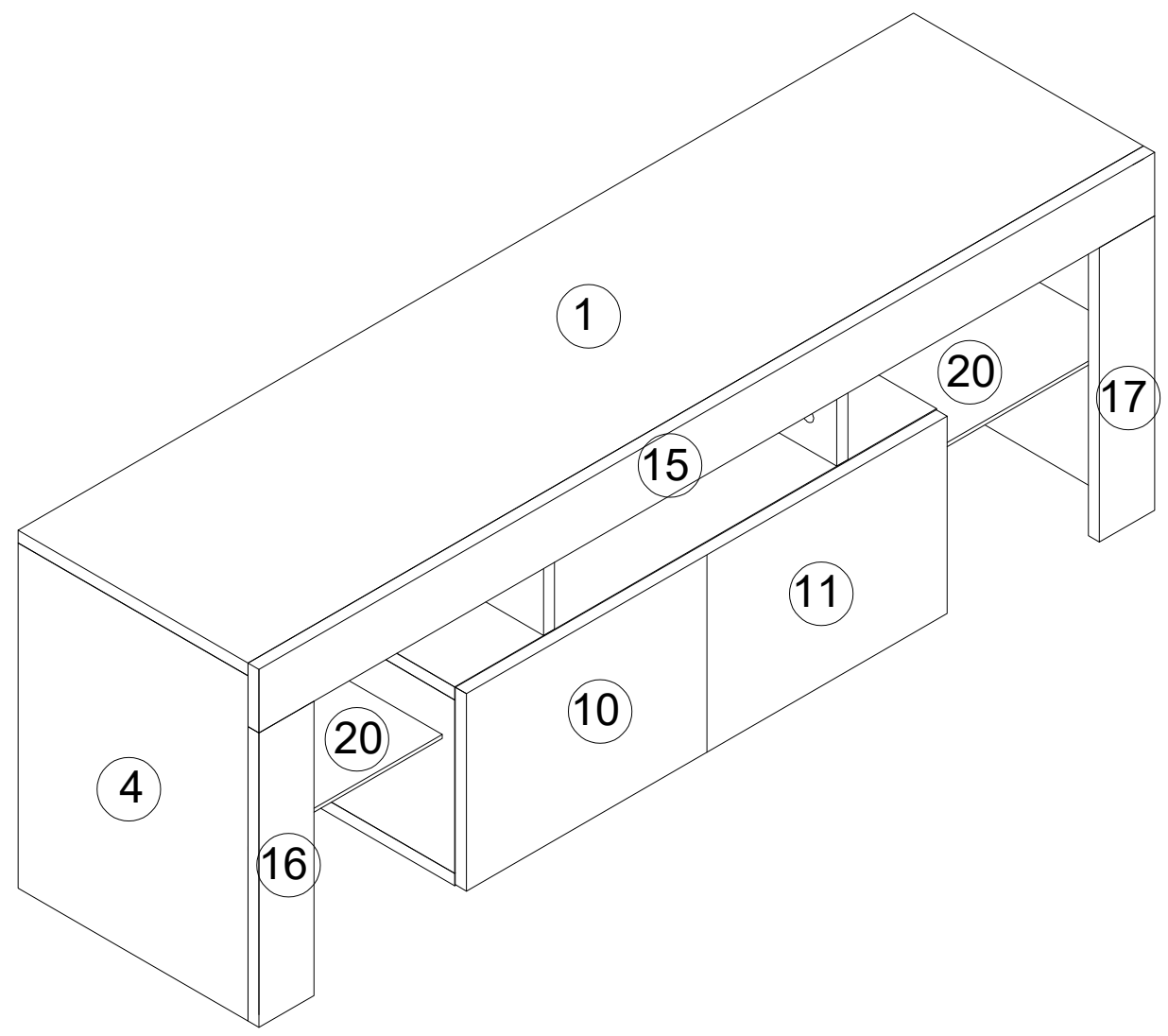
B*8

6



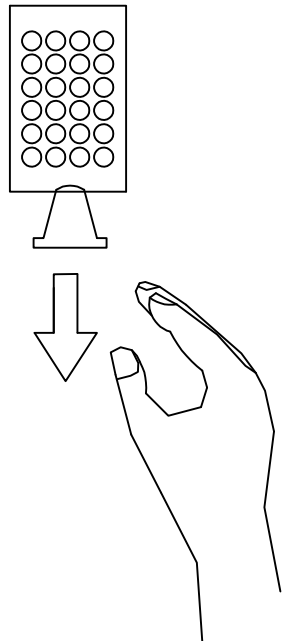
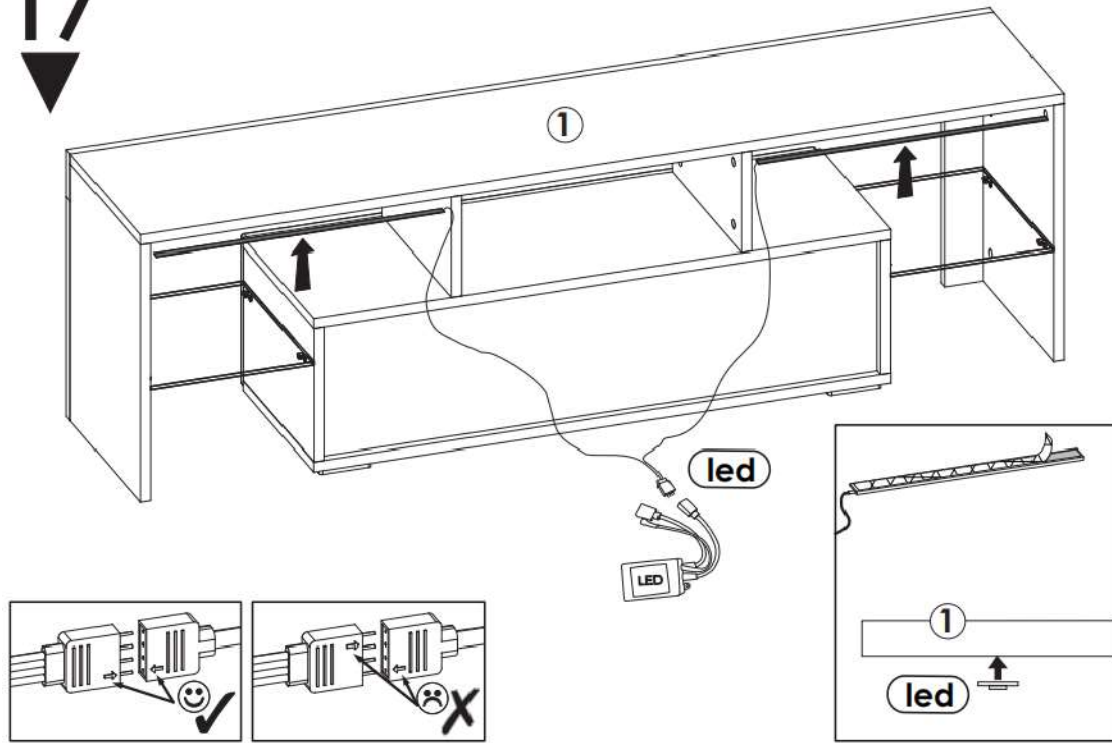
	A*8
	B*8
	F*2
	G*2
	J*8
	J*8

7



8

17
▼



After the installation was complete, remove the plastic gasket on the remote control, then align the sensor on the LED light for remote operation.