
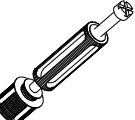

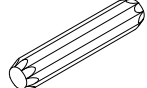
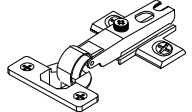



**K** 3\*12  
  
 16PCS


**A**  
  
 24PCS


**B**  
  
 24PCS


**C** 8\*40  
  
 20PCS


**D**  
  
 2PCS

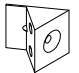
**E** 3.5\*14  
  
 40PCS

**F**  
  
 4PCS

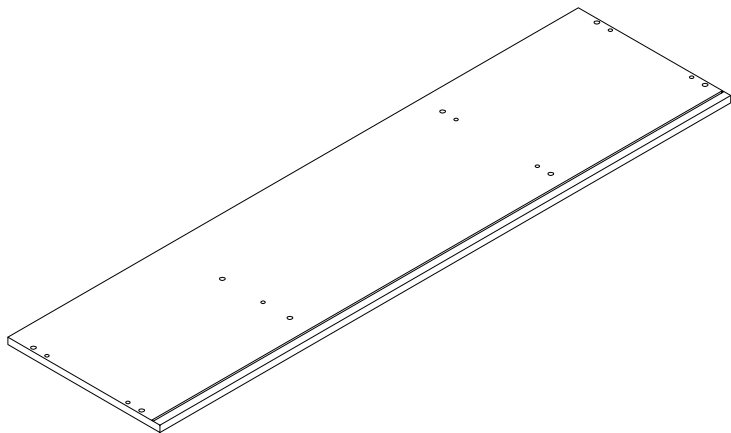
**G**  
  
 4PCS

**H**  
  
 1PCS

**I** 4\*20  
  
 1PCS

**J**  
  
 16PCS

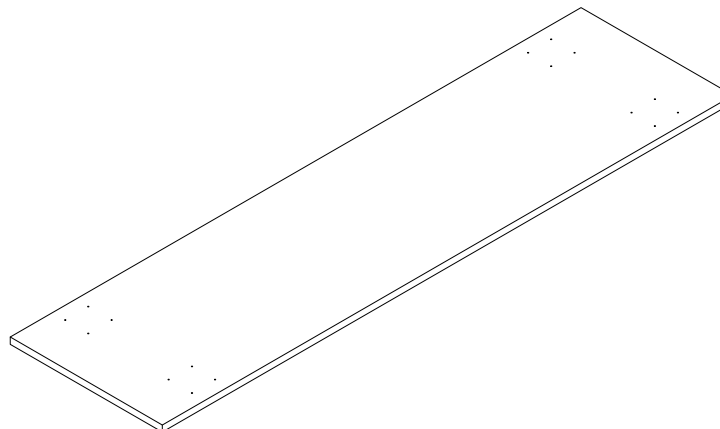
1



1350\*360

1PCS

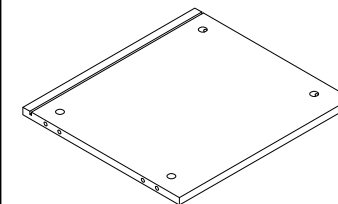
2



1350\*360

1PCS

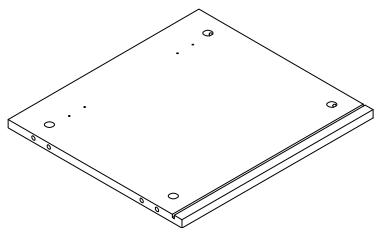
3



395\*360

1PCS

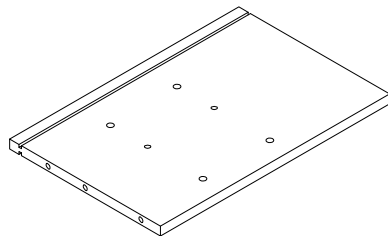
4



395\*360

1PCS

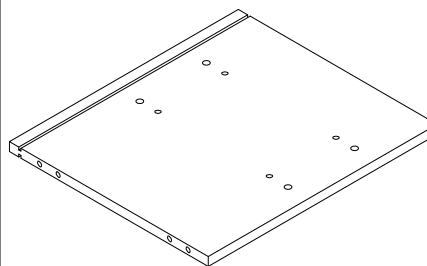
5



395\*260

1PCS

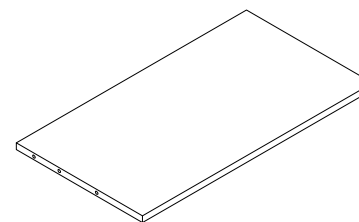
6



395\*343

1PCS

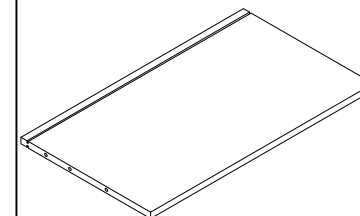
7



588\*322

1PCS

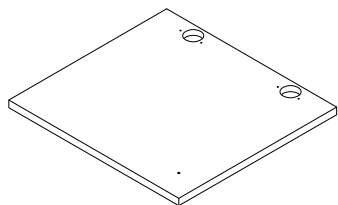
8



588\*343

1PCS

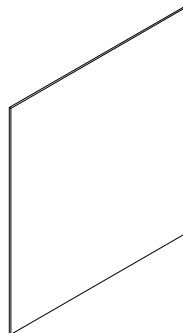
9



391\*363

1PCS

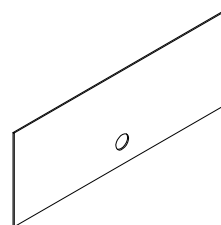
10



405\*359

2PCS

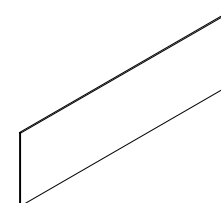
11



596\*224

1PCS

12



596\*174

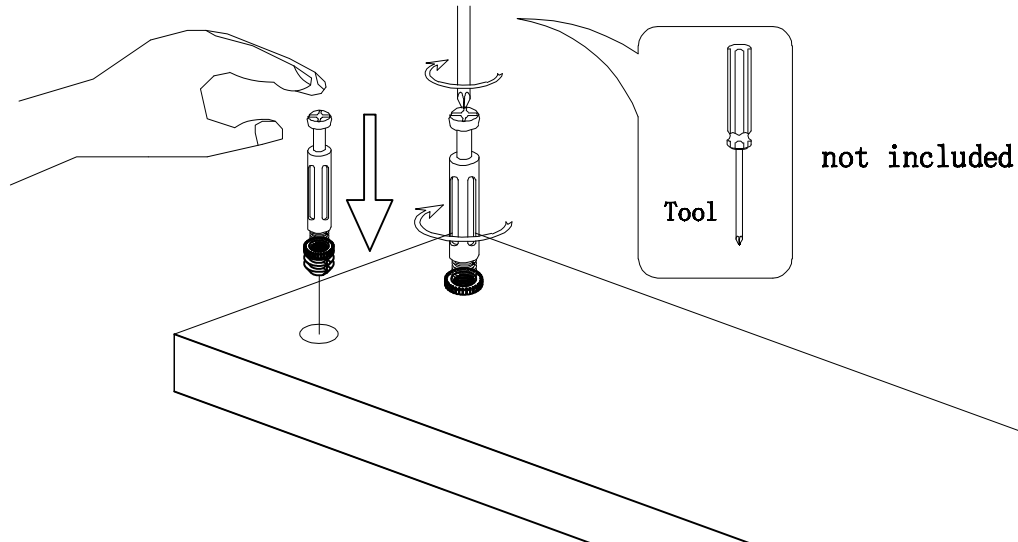
1PCS



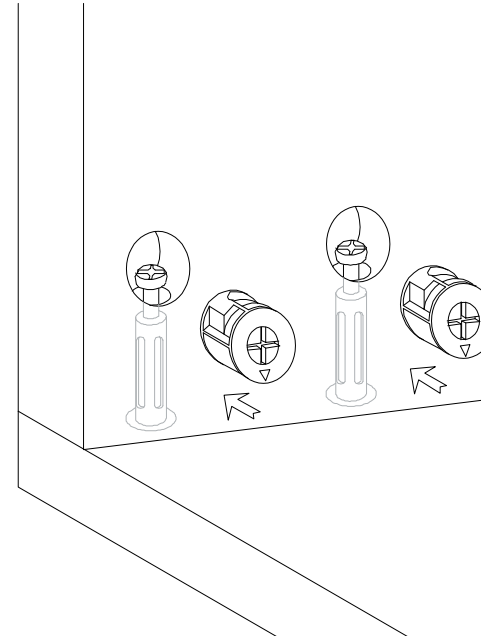
## Hardware installation demonstration

NOTE: Please make sure "A" hardware tightened and can't be pulled out!

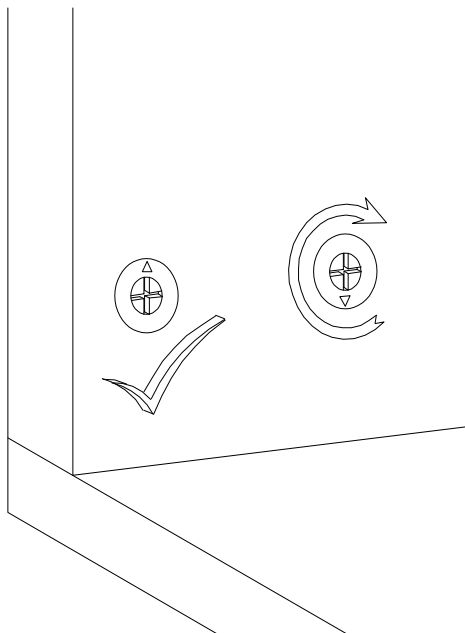
I



II



III

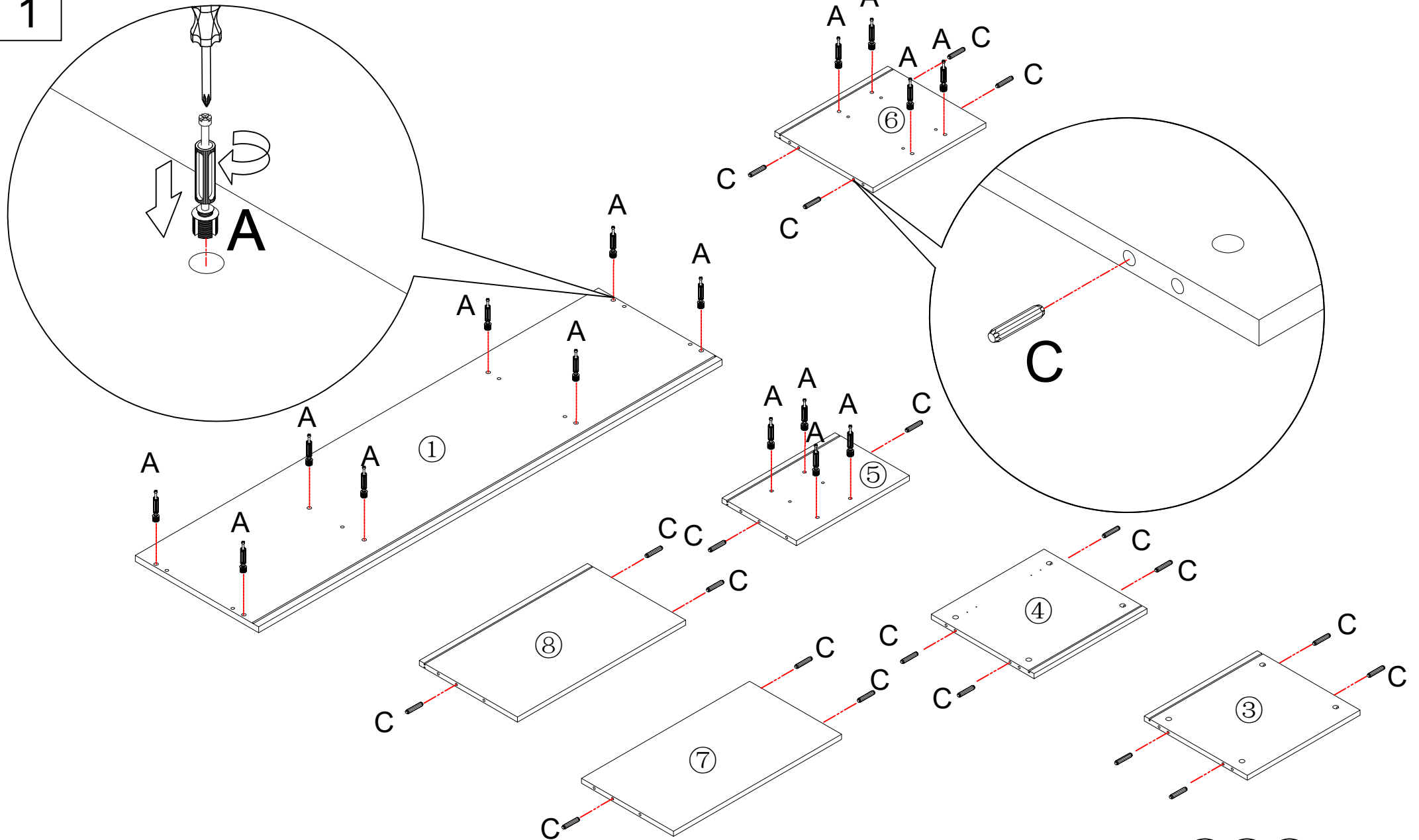


IV

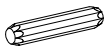


Scan QR code for assembly video

1



A\*16

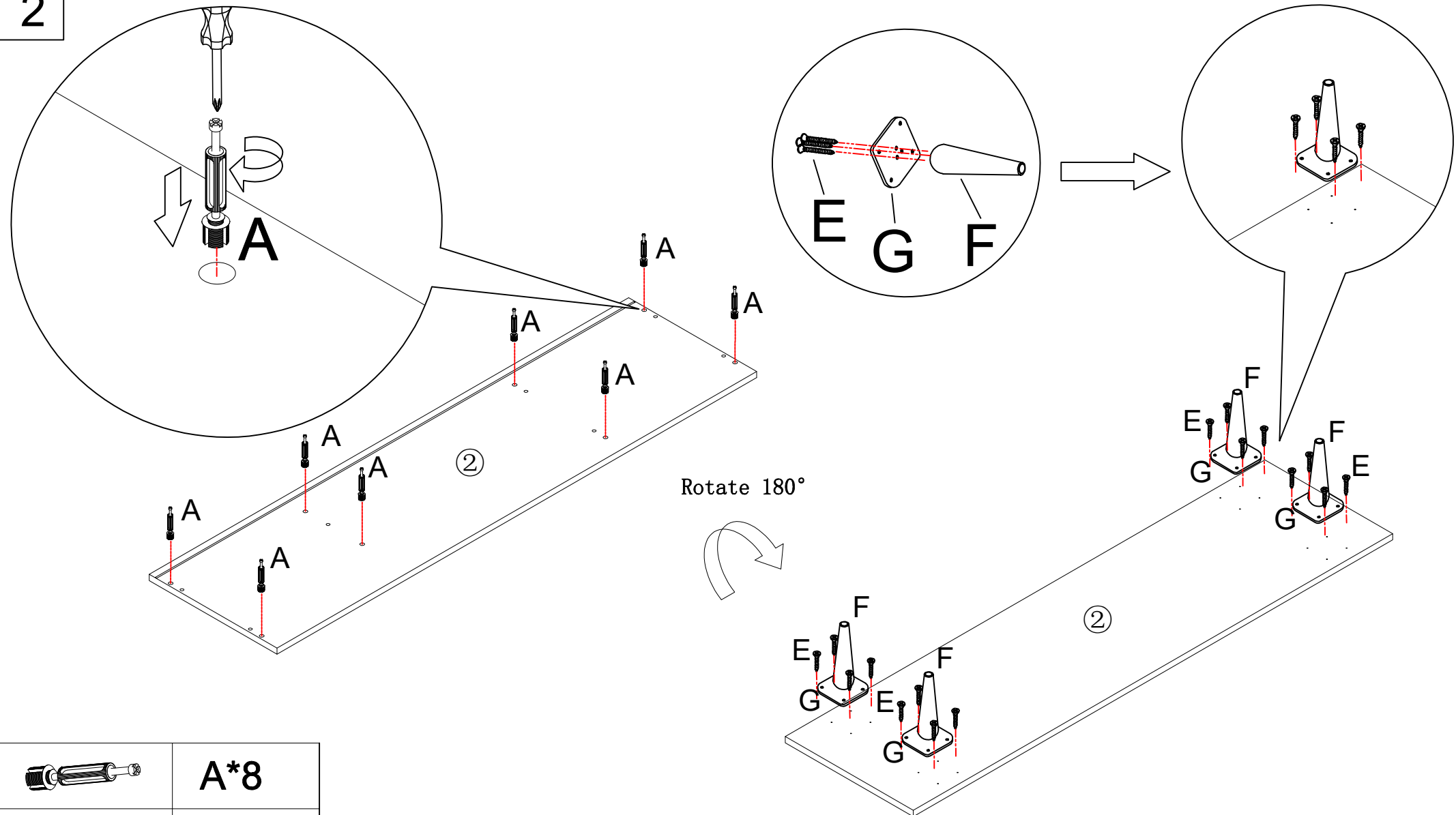




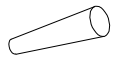

C\*20

Put A on board ①⑤⑥

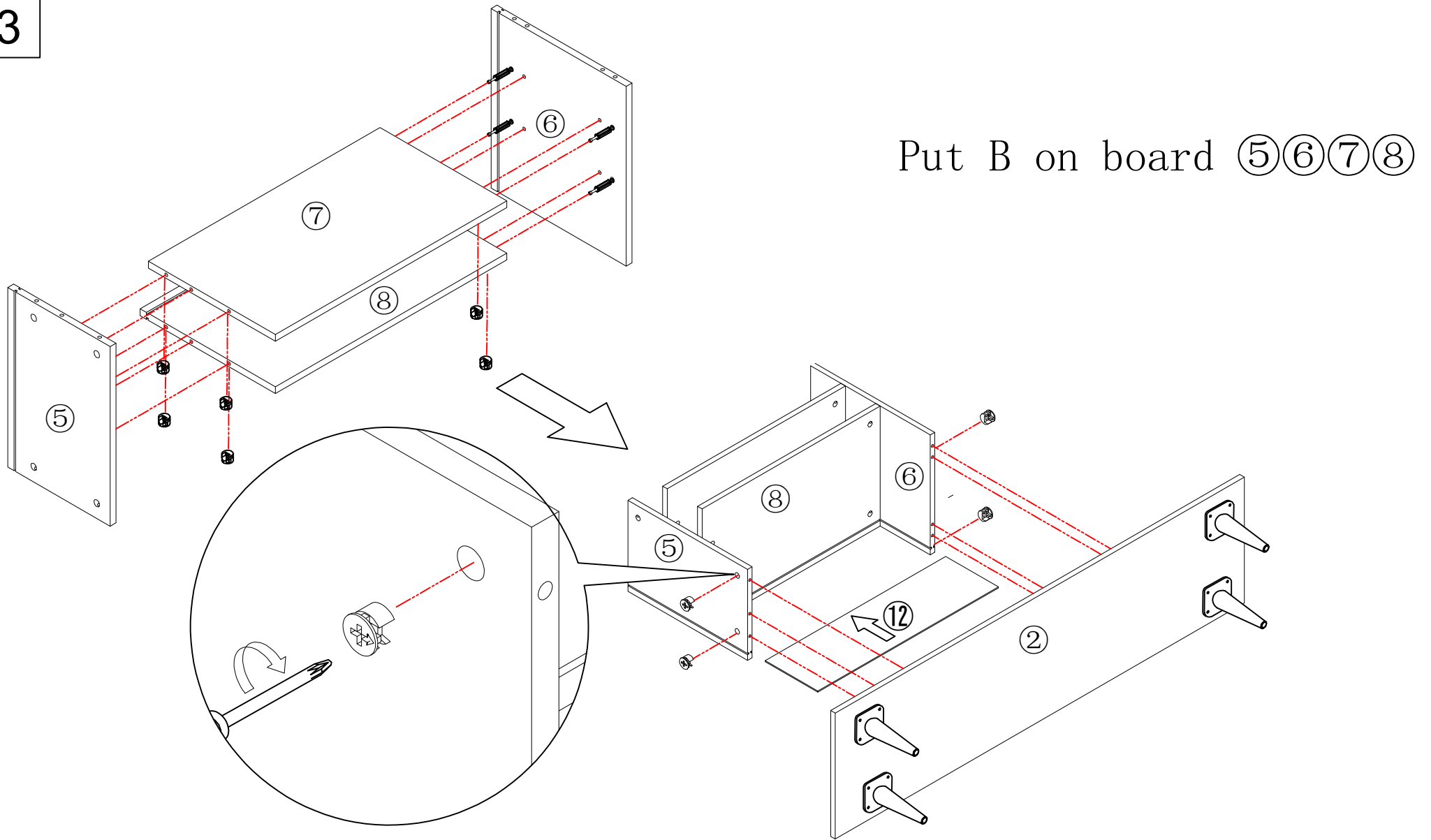
Put C on board ③④⑤⑥⑦⑧

2



	A*8
	E*28
	F*4
	G*4

3

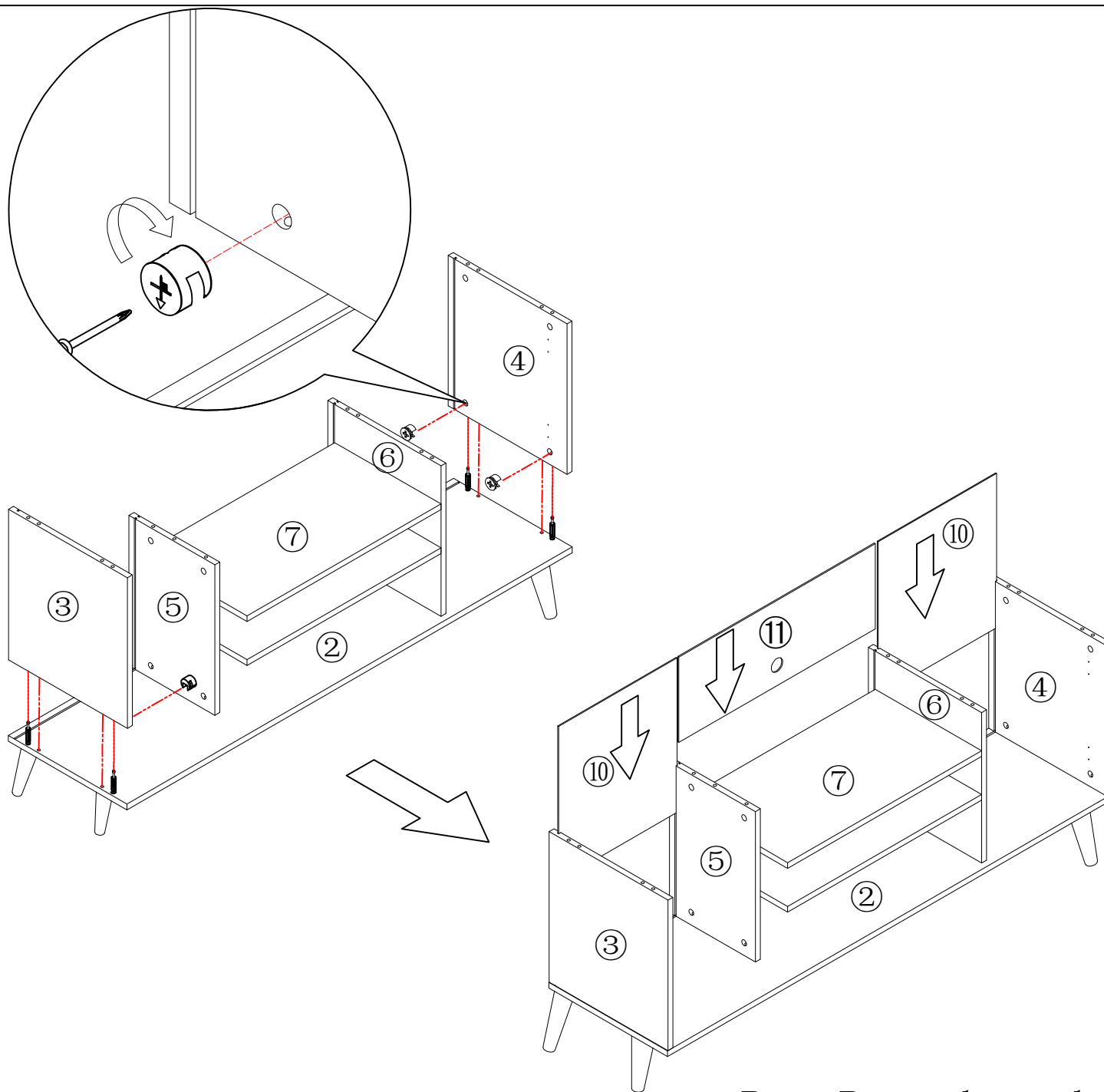


Make sure the arrow on the screw align to the hole on the side



**B\*12**

4

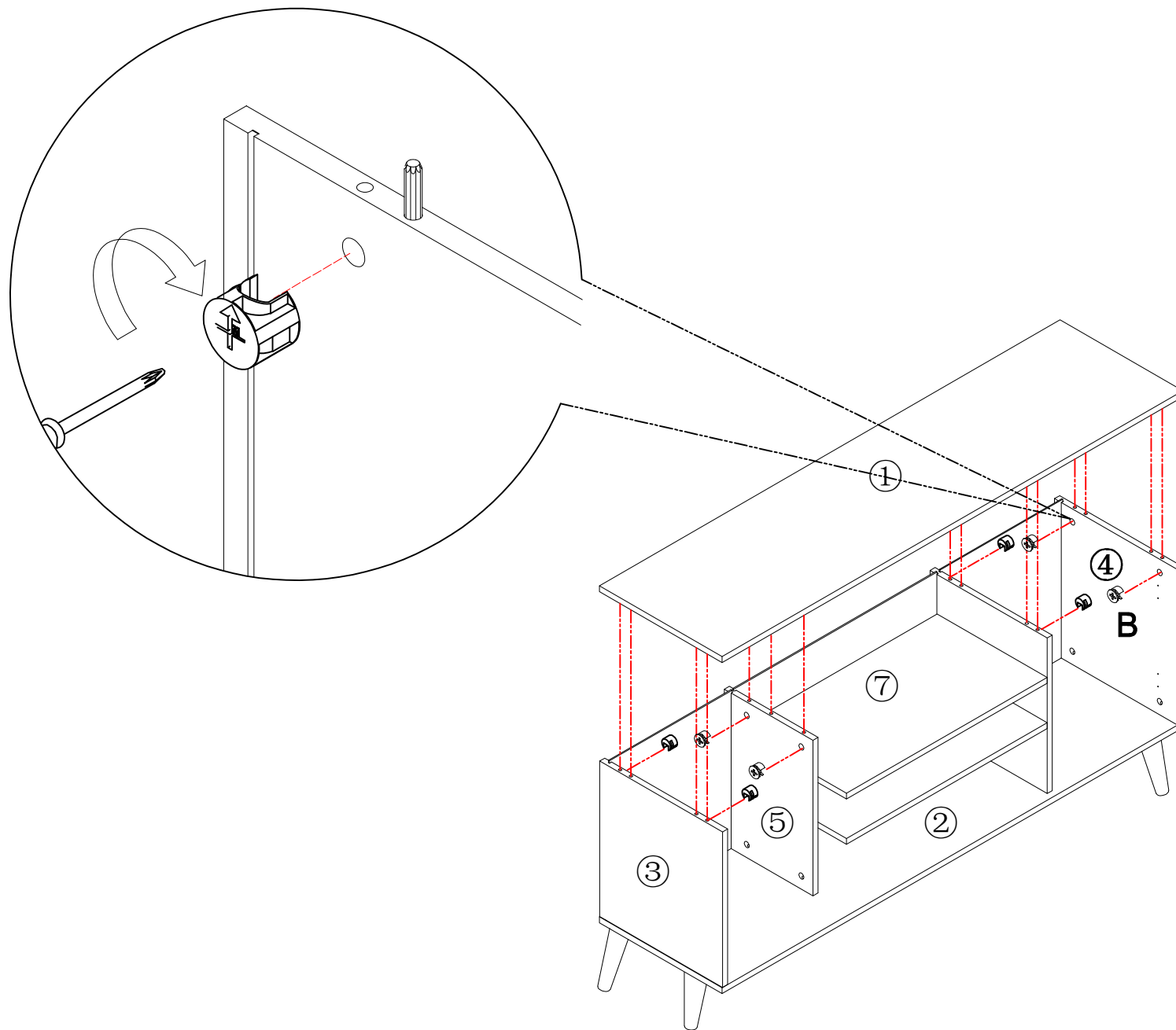


**B\*4**

Put B on board ③④



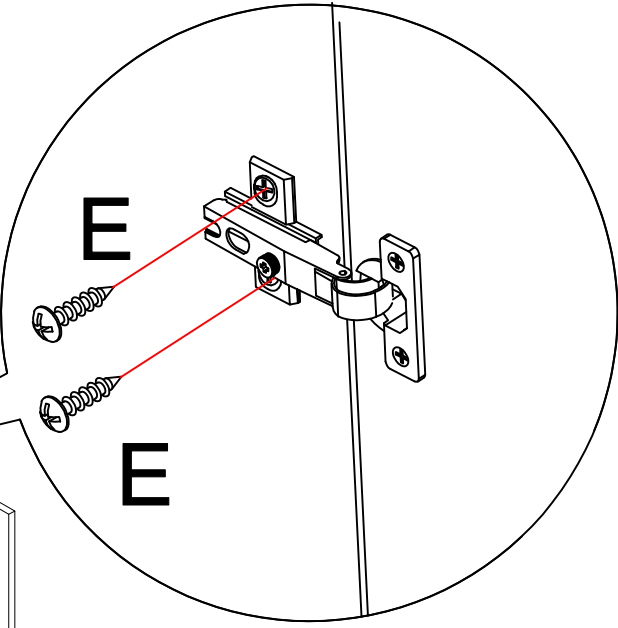
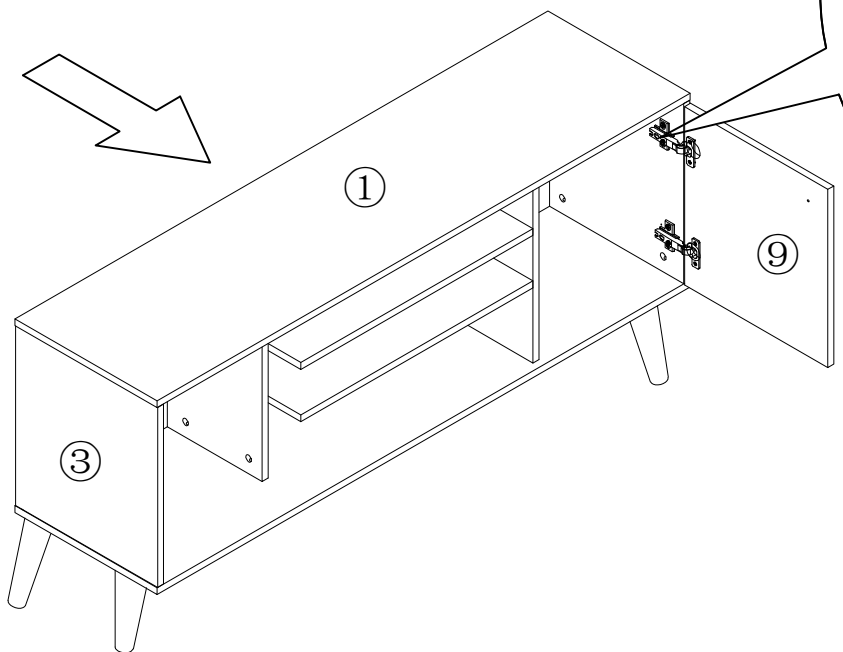
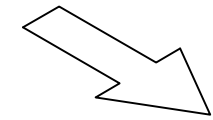
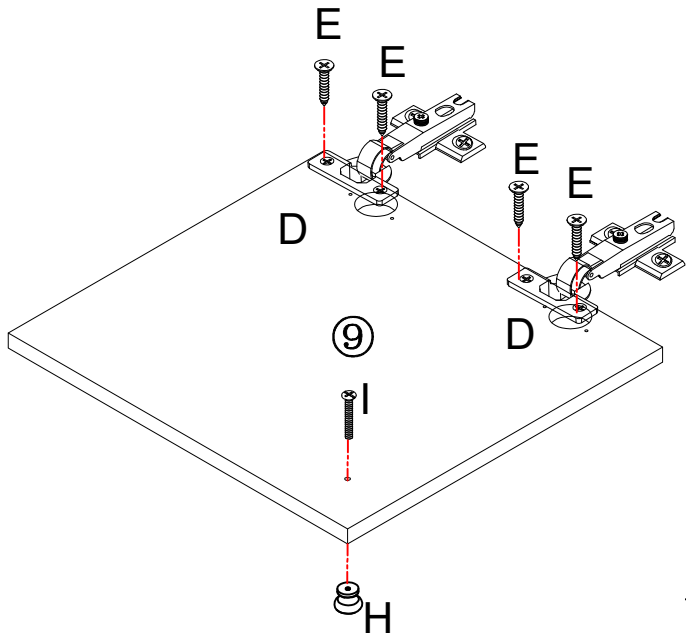
5



**B\*8**

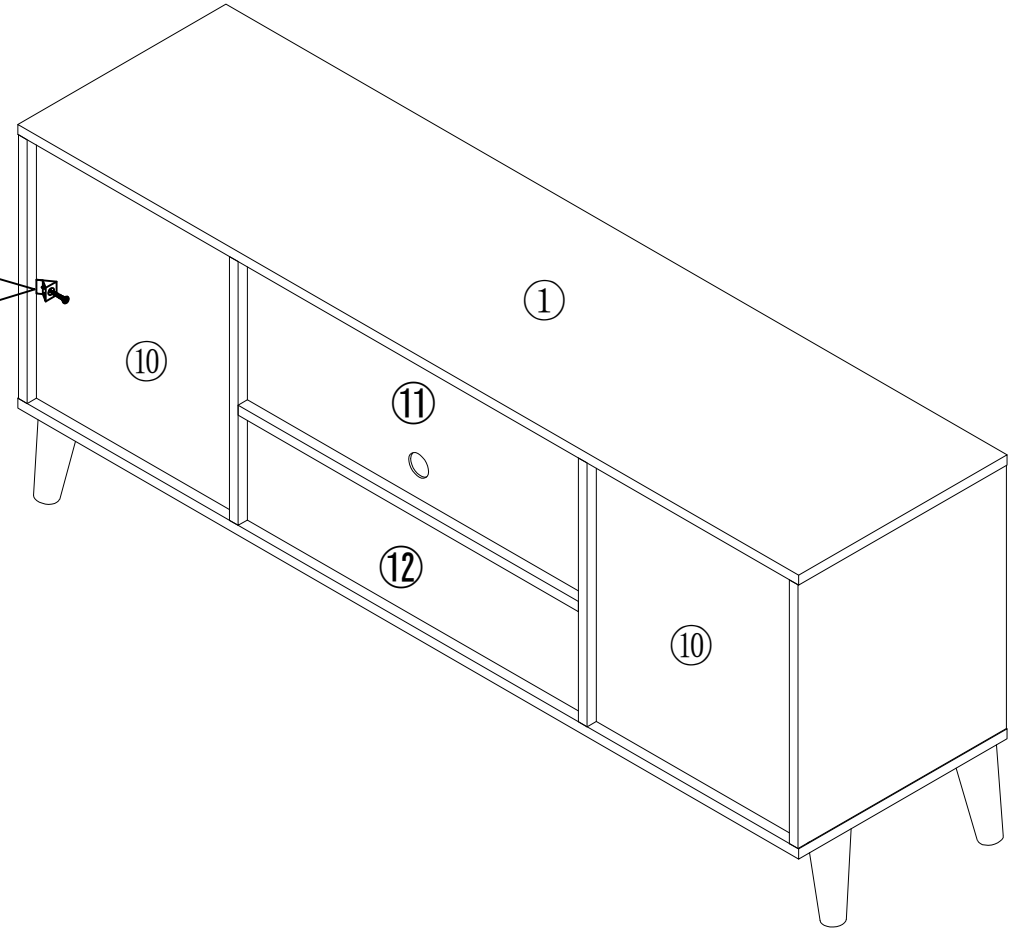
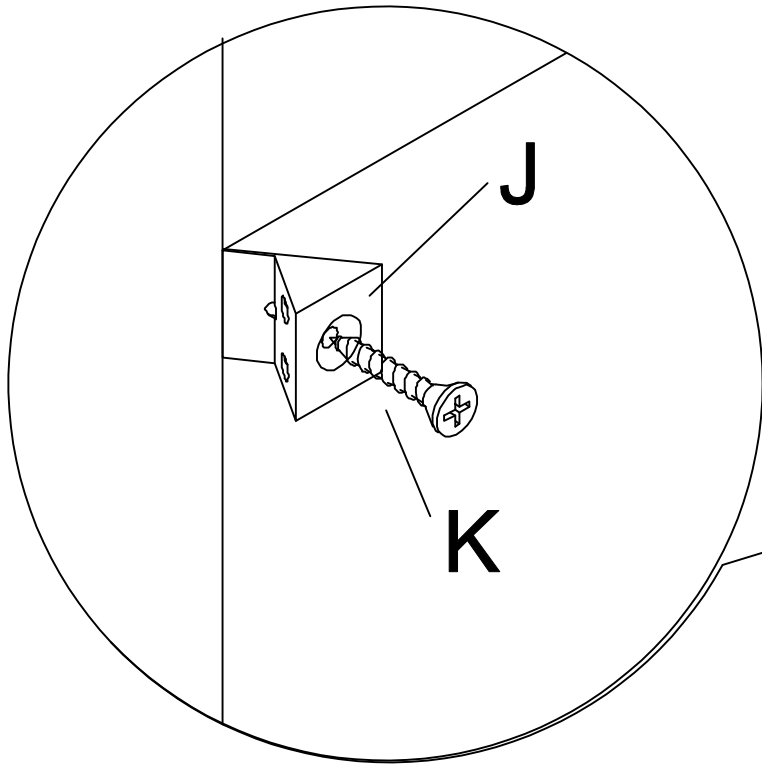
Put B on board ③④

6



	D*2
	E*12
	H*1
	I*1

7



J\*16



K\*16

