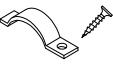
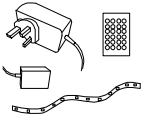
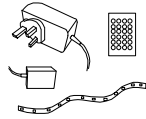
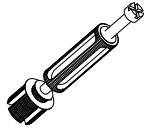

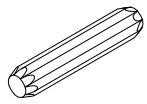
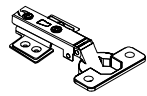



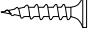
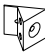

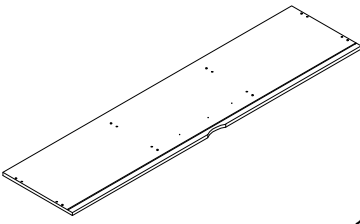


K  15PCS	LED  1PCS	LED  1PCS
A  47PCS	B  47PCS	C 8*40  32PCS

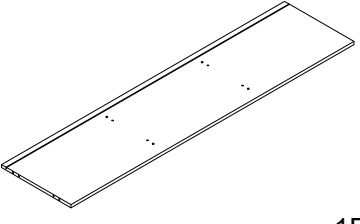
D  4PCS	E 7*50  14PCS	F  8PCS	G  8PCS	H 3.5*14  24PCS	I  25PCS	J 3*12  25PCS
---	--	---	---	---	--	---

1 1599*385



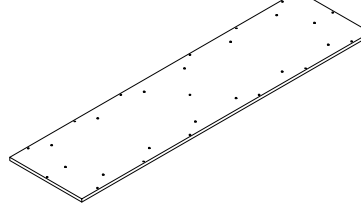
1PCS

2 1567*385



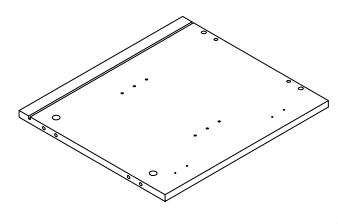
1PCS

3 1599*400



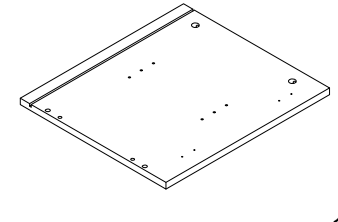
1PCS

4 431*385



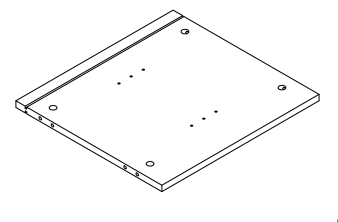
1PCS

5 431*385



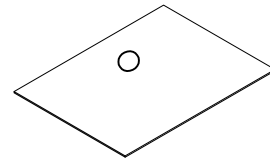
1PCS

6 415*385



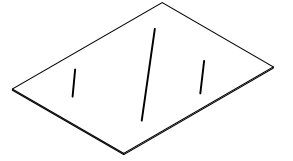
2PCS

7 521*425



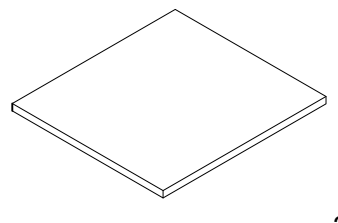
1PCS

8 505*353



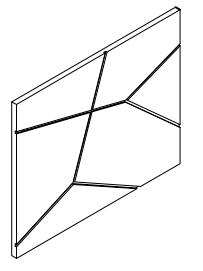
2PCS

9 509*353



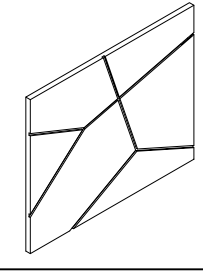
2PCS

10 542*441



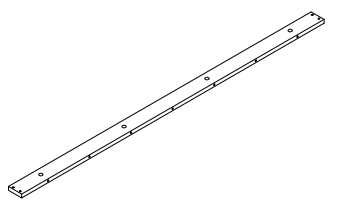
1PCS

11 542*441



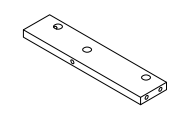
1PCS

12 1397*60



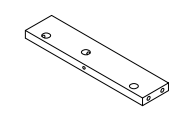
2PCS

13 270*60



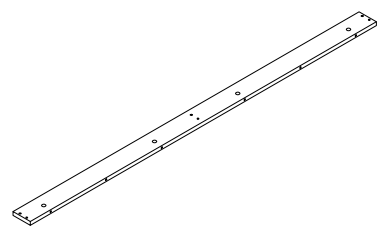
1PCS

14 270*60



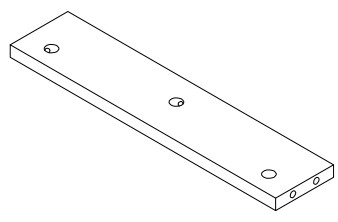
1PCS

15 1598*80



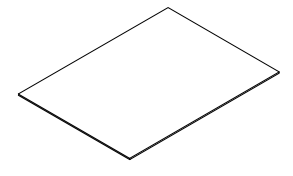
2PCS

16 368*80



3PCS

17 521*425



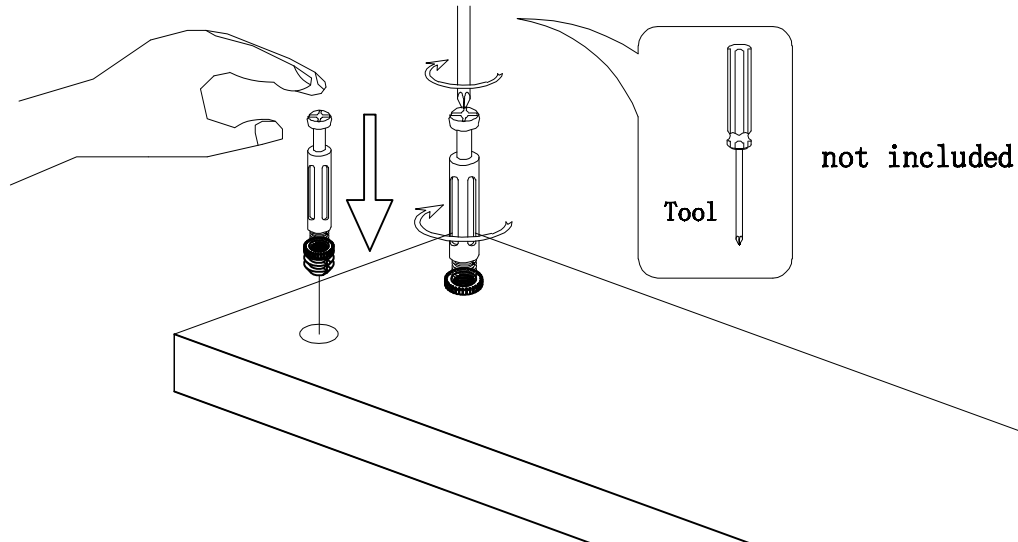
2PCS



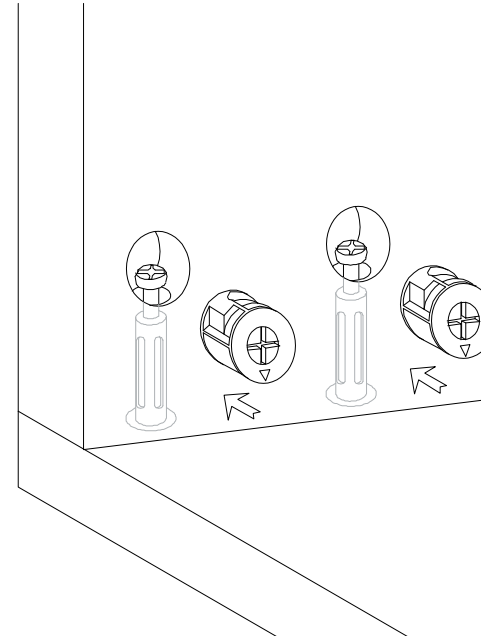
Hardware installation demonstration

NOTE: Please make sure "A" hardware tightened and can't be pulled out!

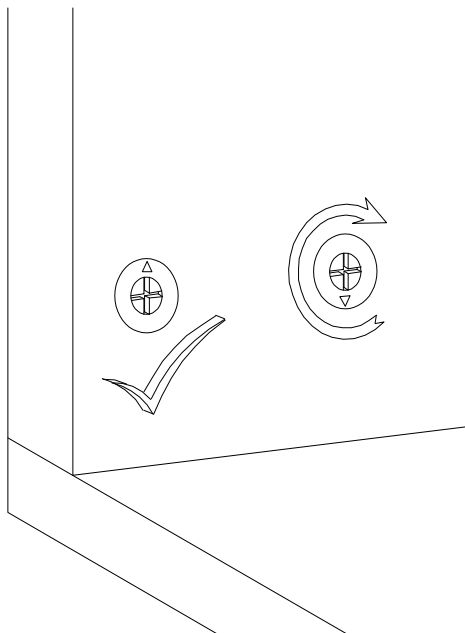
I



II



III

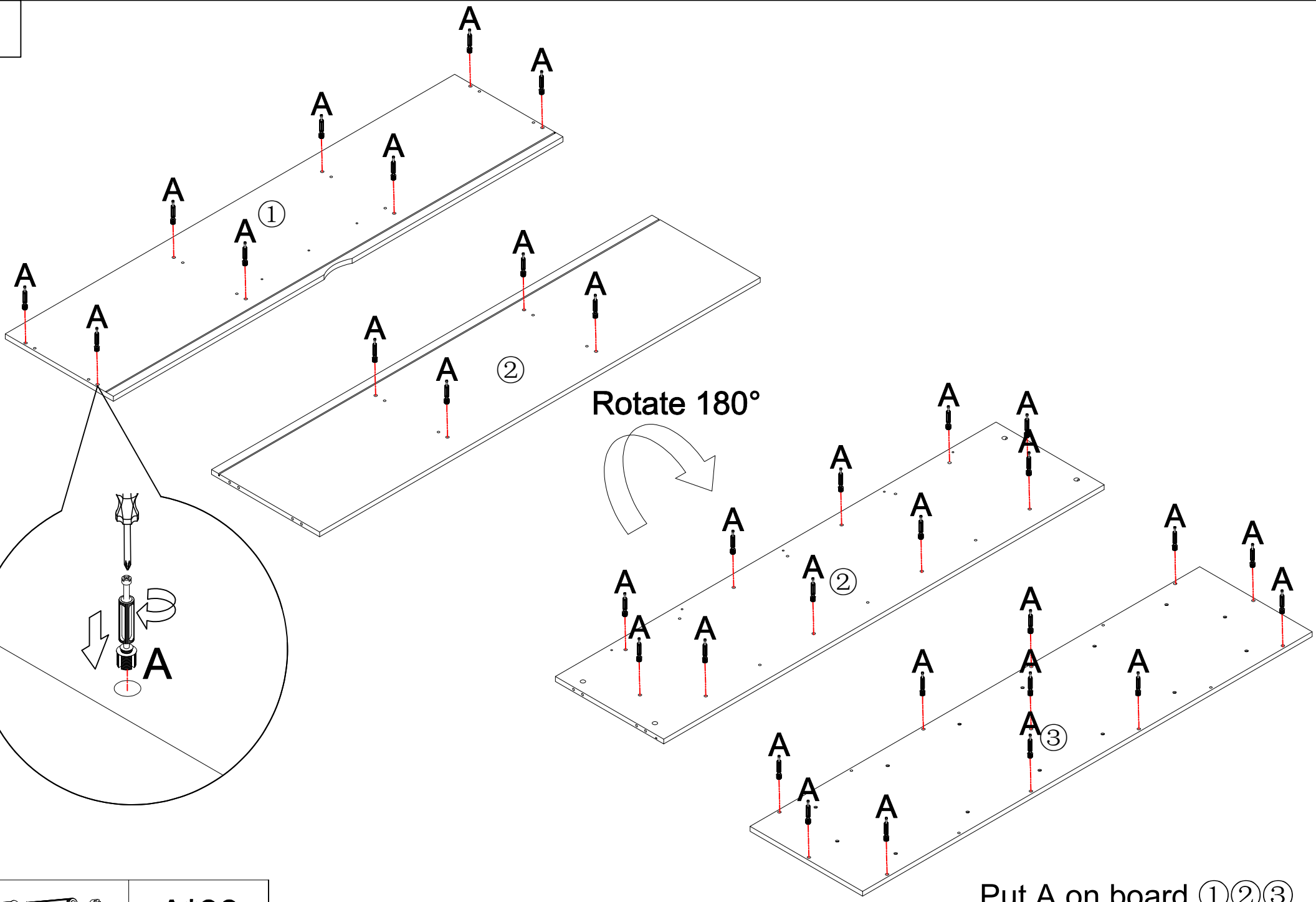


IV

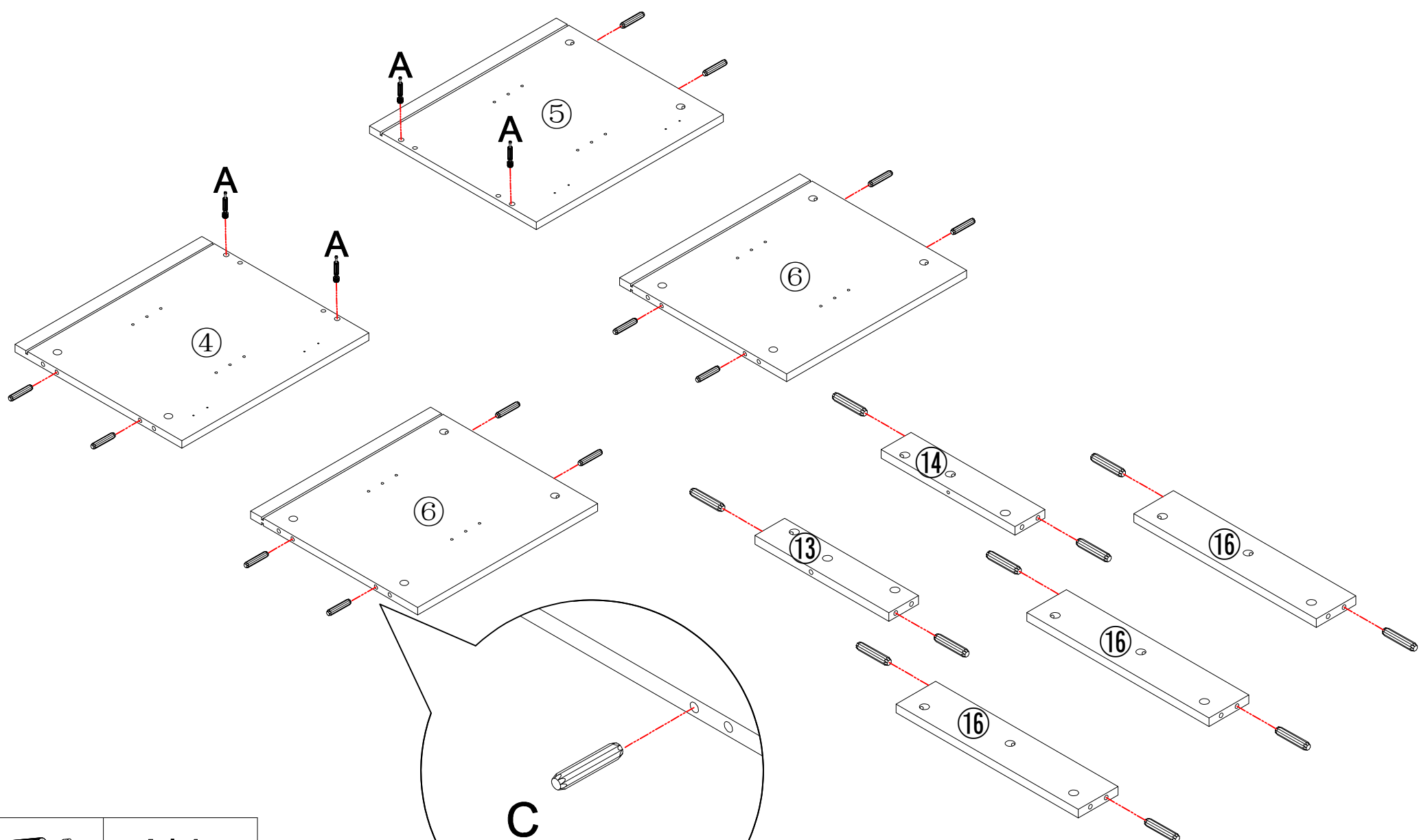



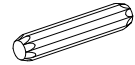
Scan QR code for assembly video

1



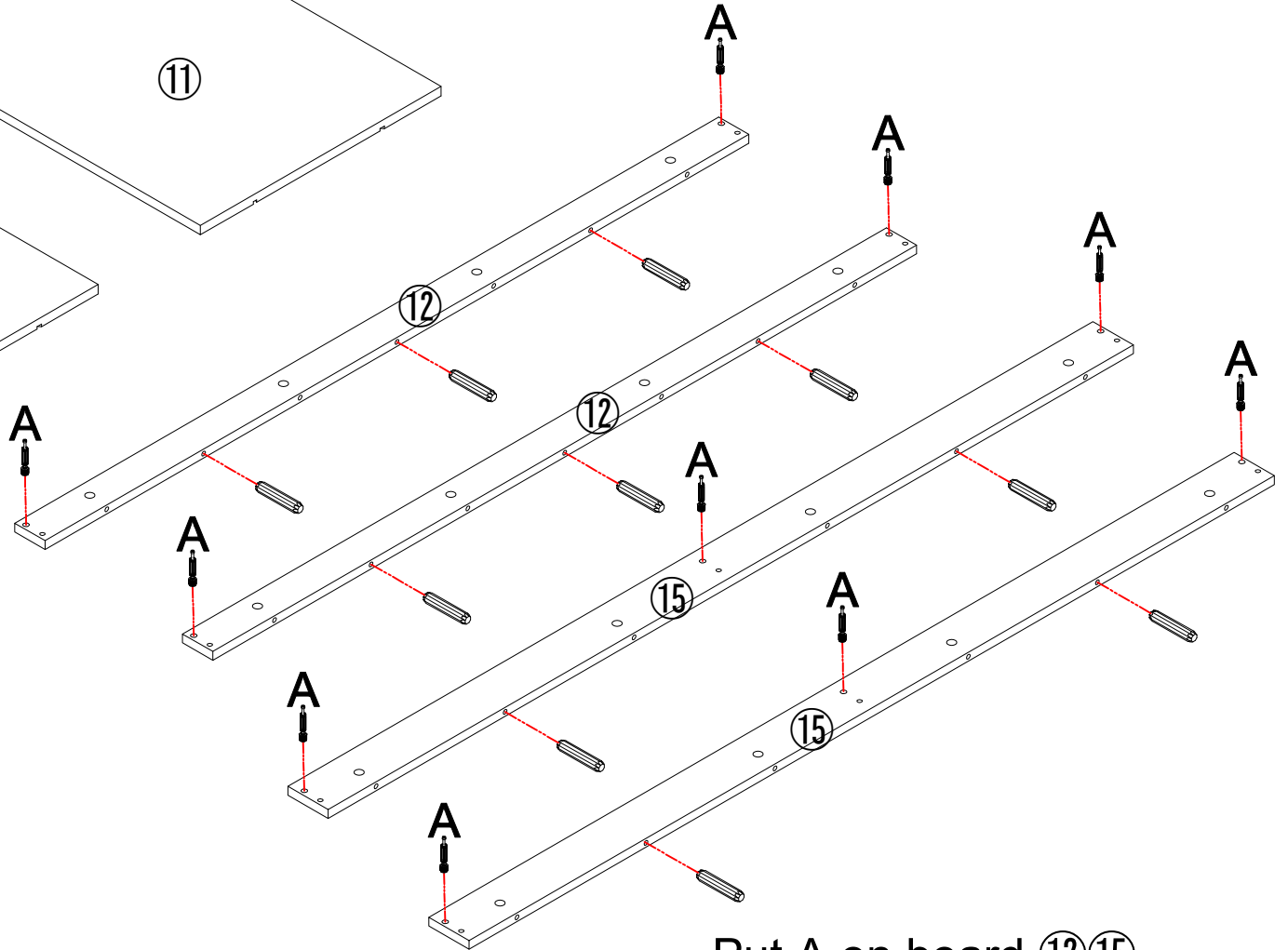
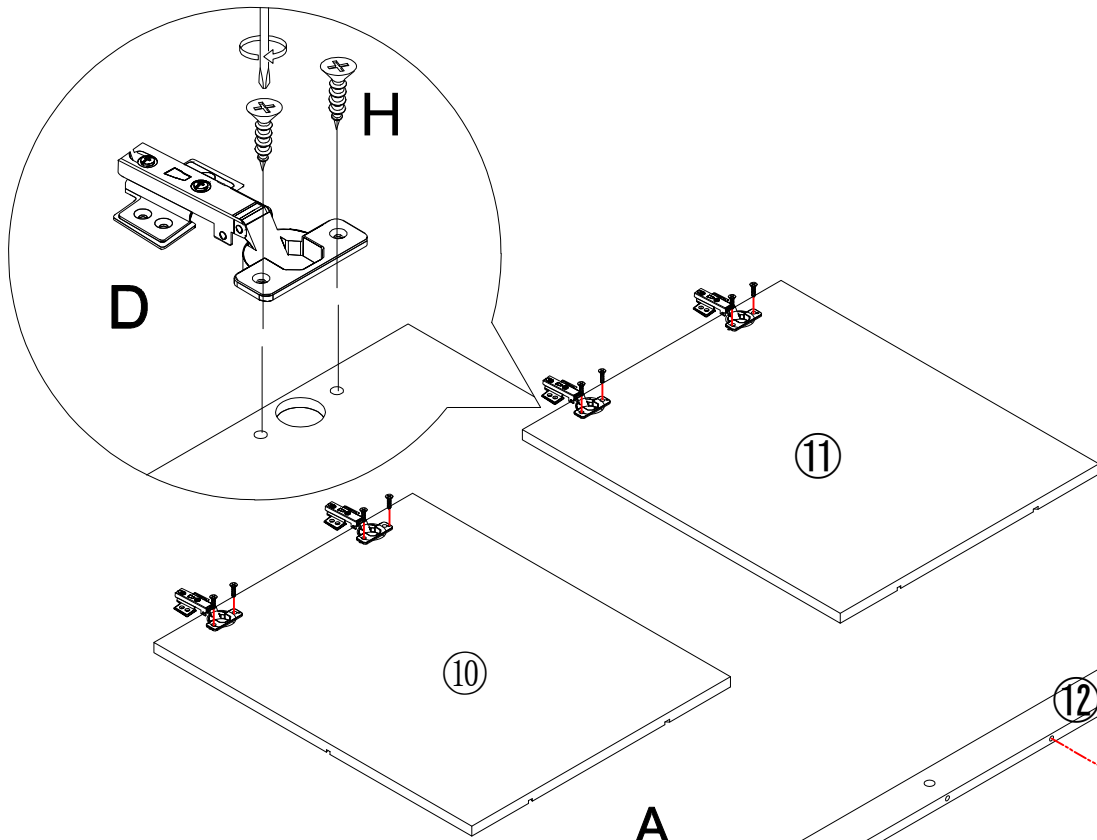
A*33



	A*4
	C*22

Put A on board ④⑤
Put C on board ④⑤⑥⑬⑭⑯

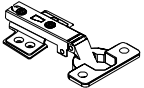
3



A*10



C*10



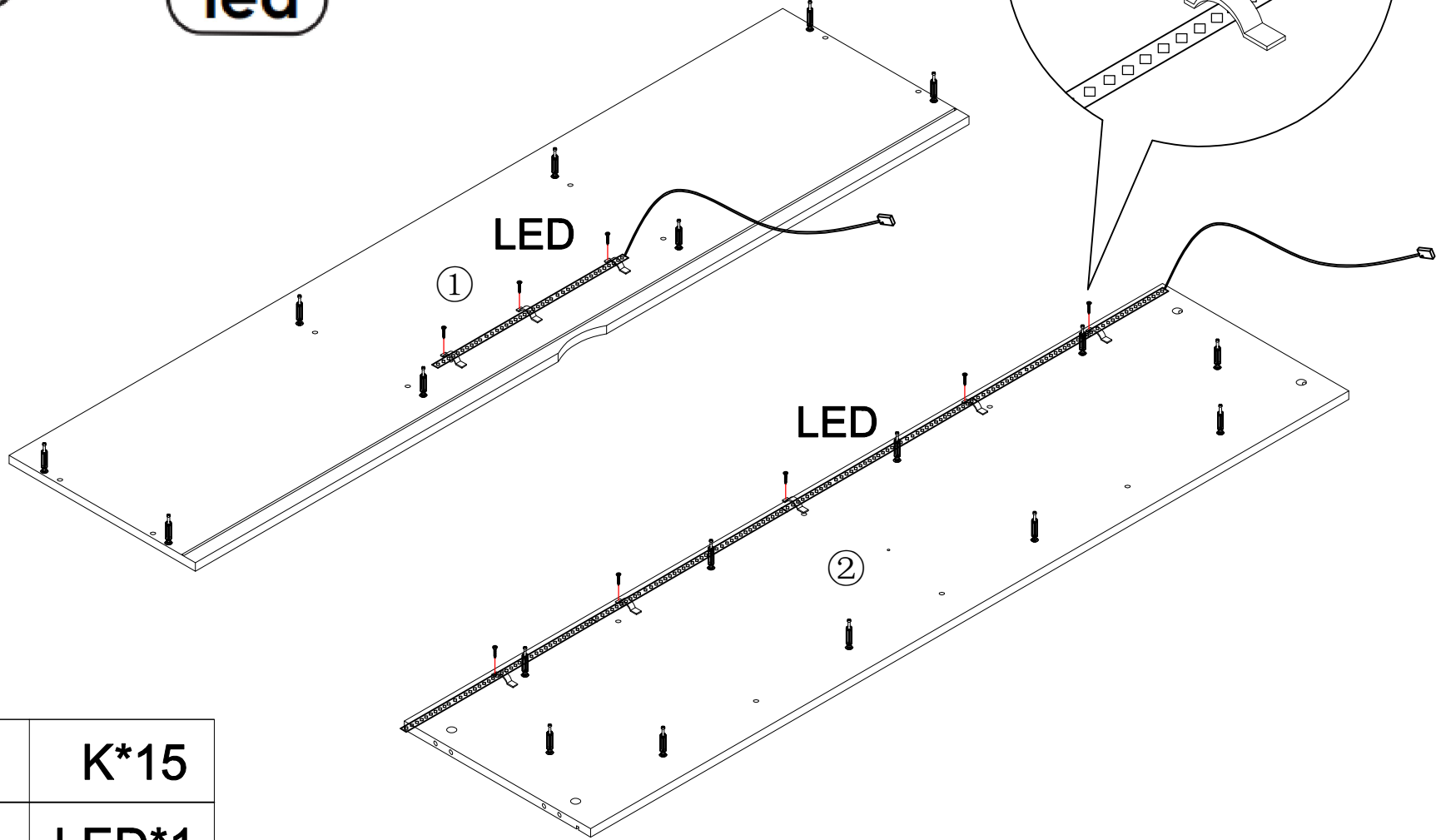
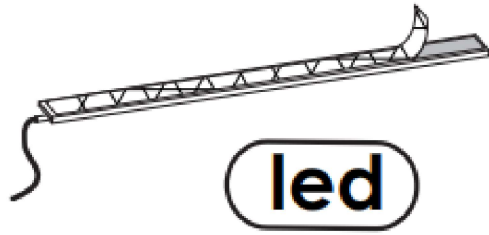
D*4



H*8

Put A on board ⑫⑮
Put C on board ⑫⑮

4



K*15



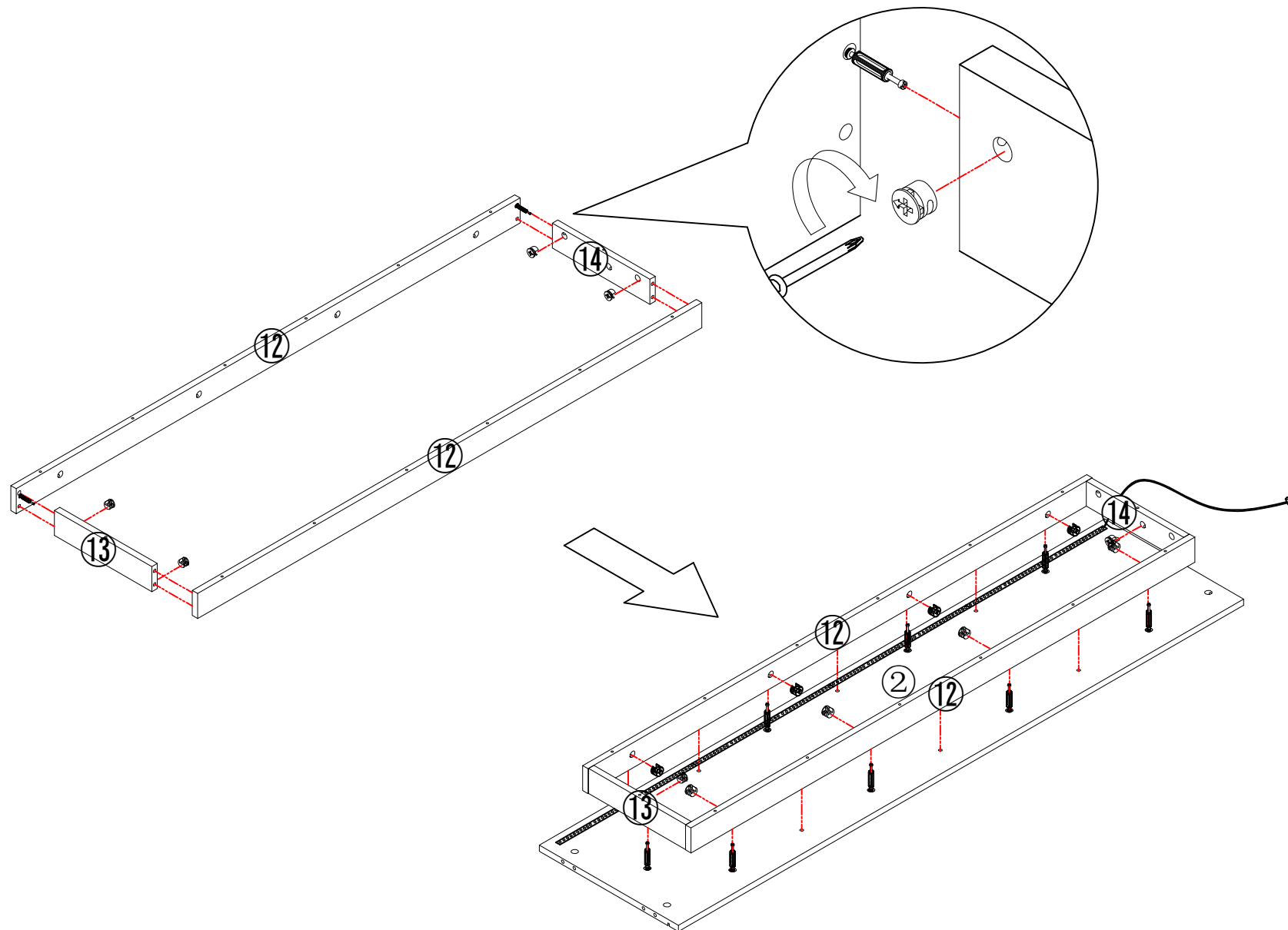
LED*1



LED*1

5

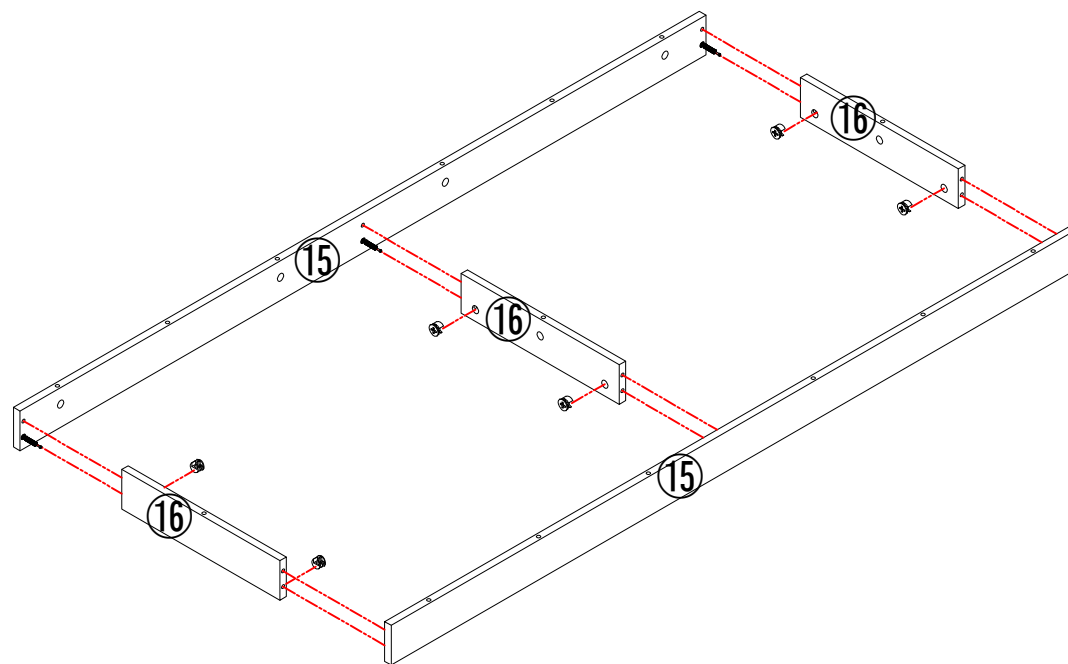
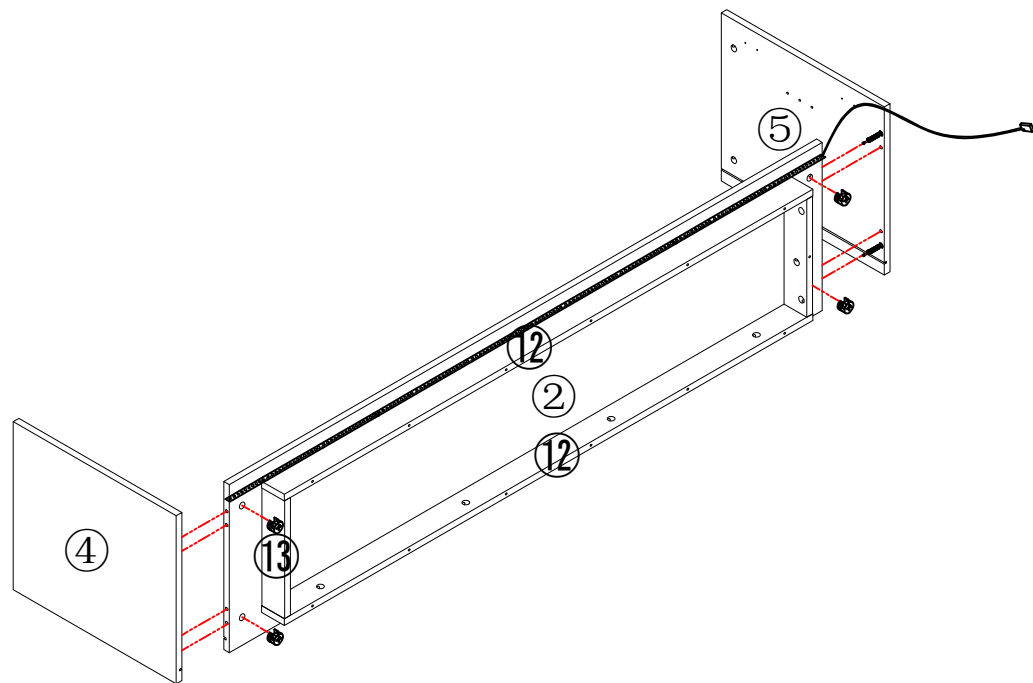
Make sure the arrow on the screw align to the hole on the side



B*14

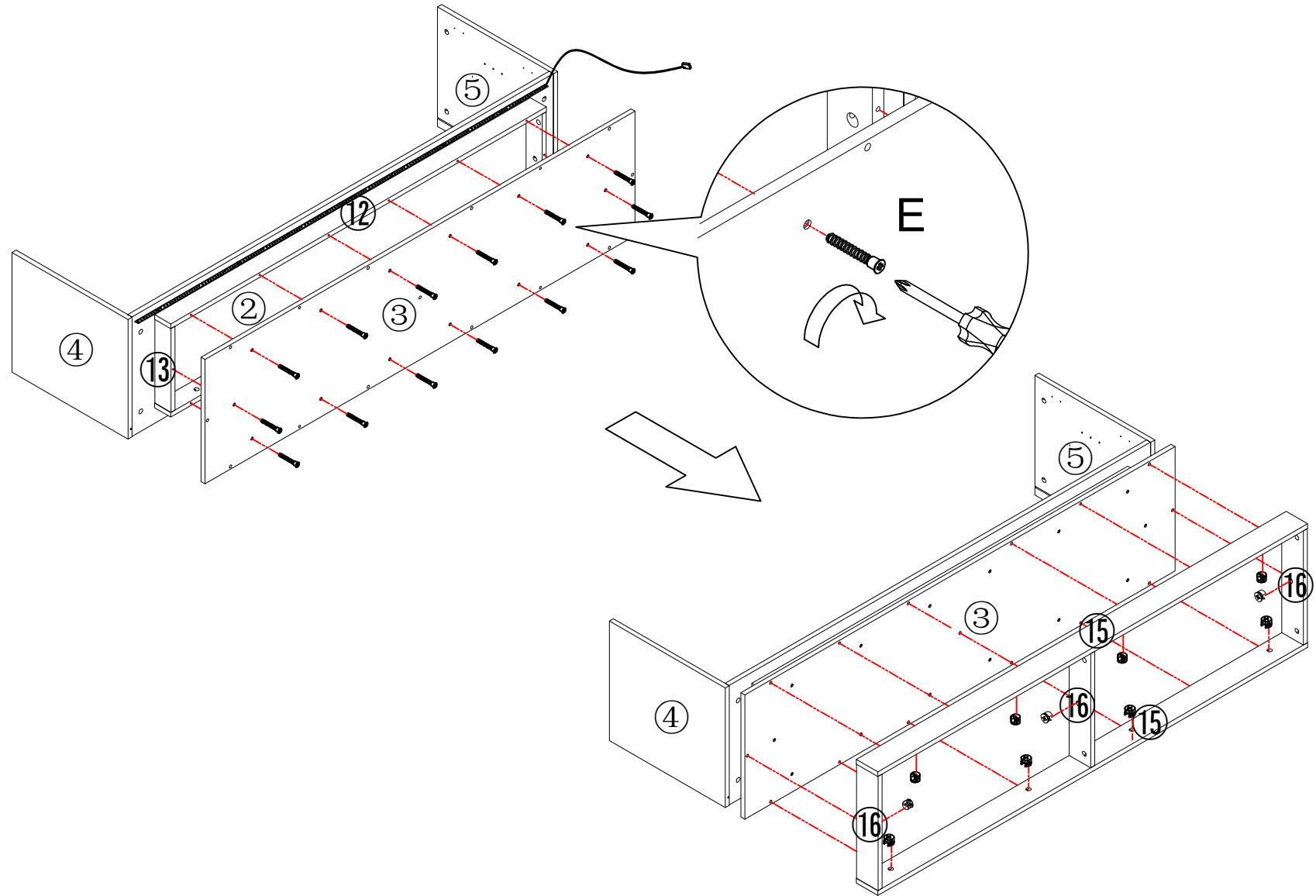
Put B on board ⑫⑬⑭

6



B*10

Put B on board ②①⑥

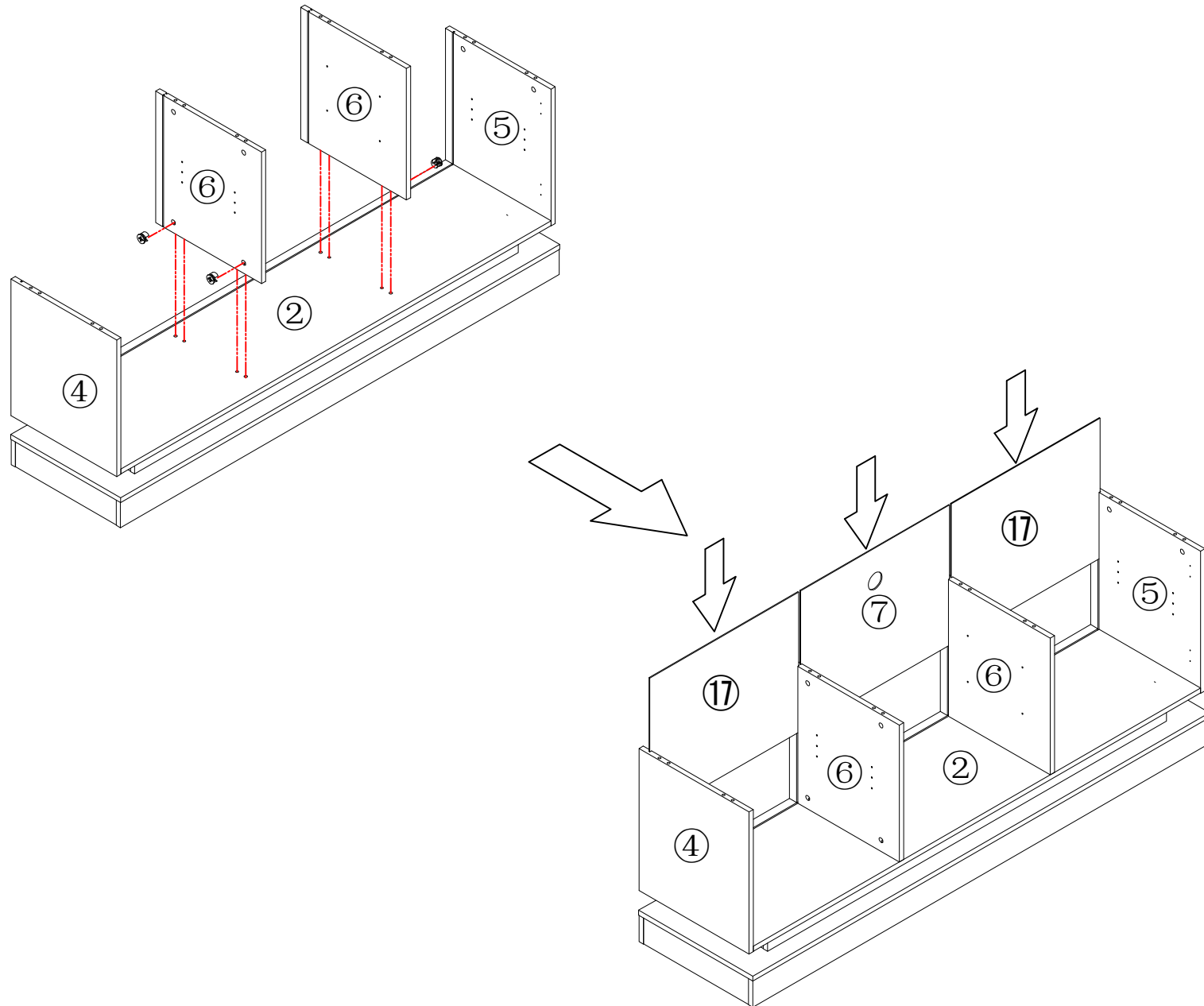


B*11



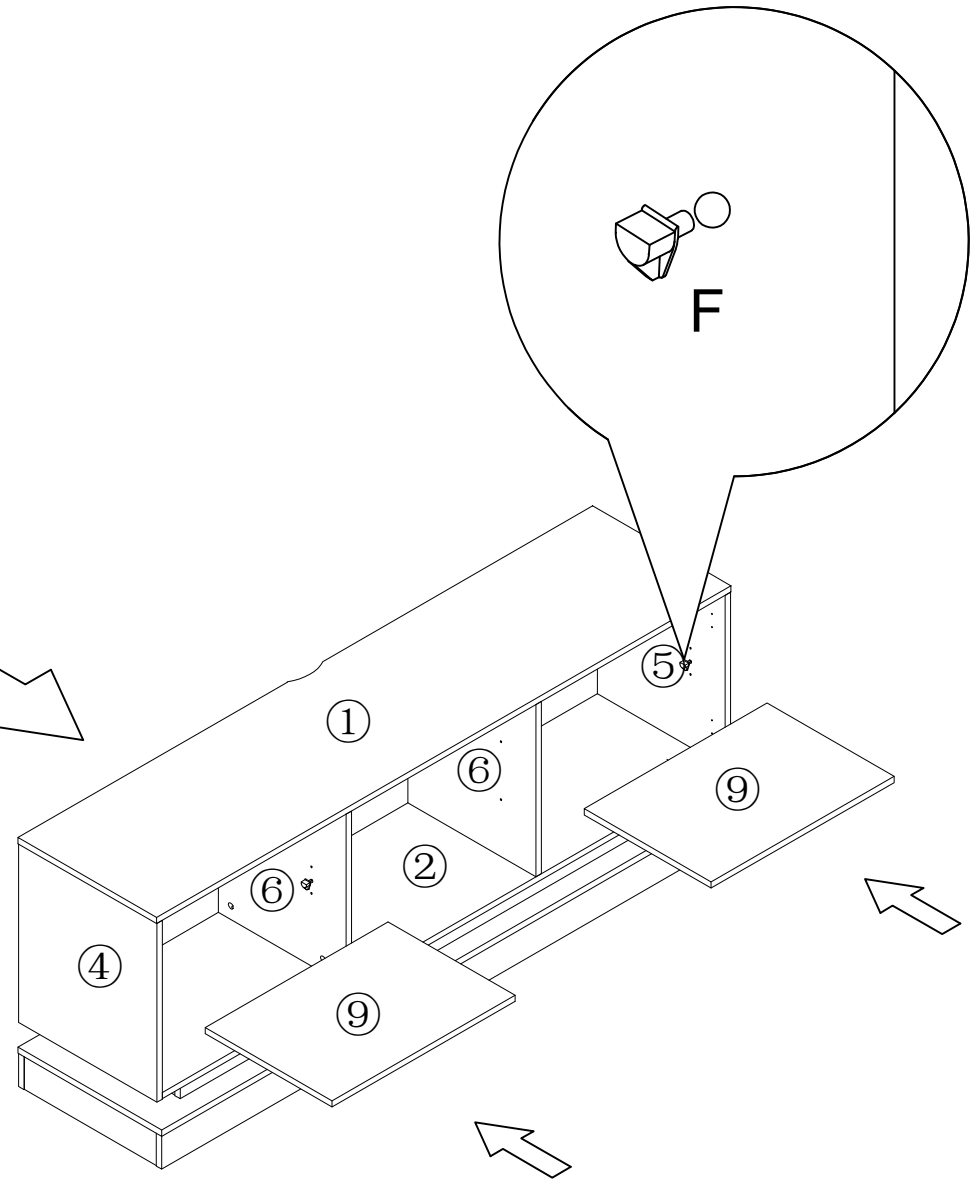
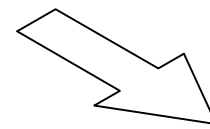
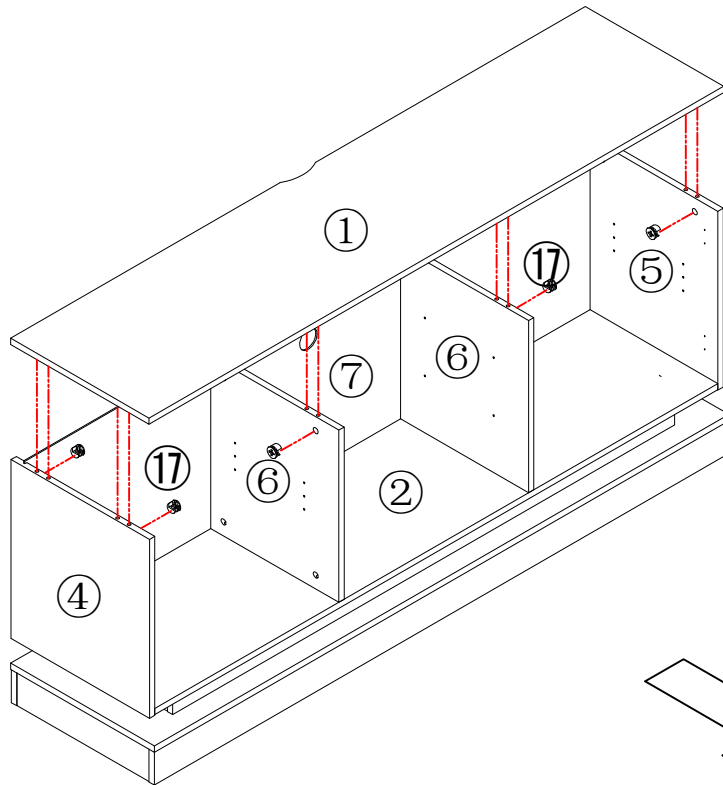
E*14

Put B on board ⑮⑯



B*4

Put B on board ⑥

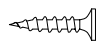
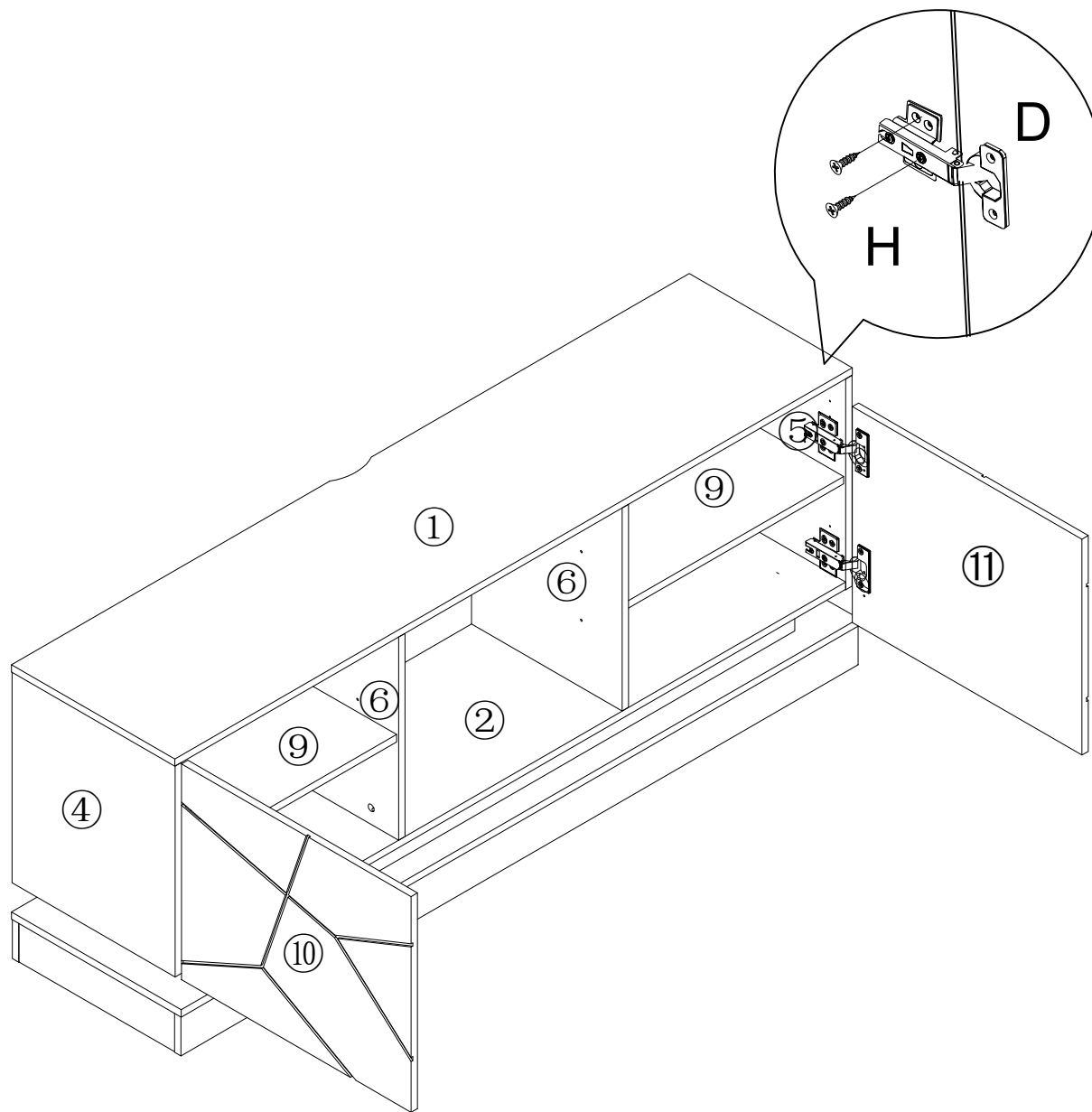


B*8

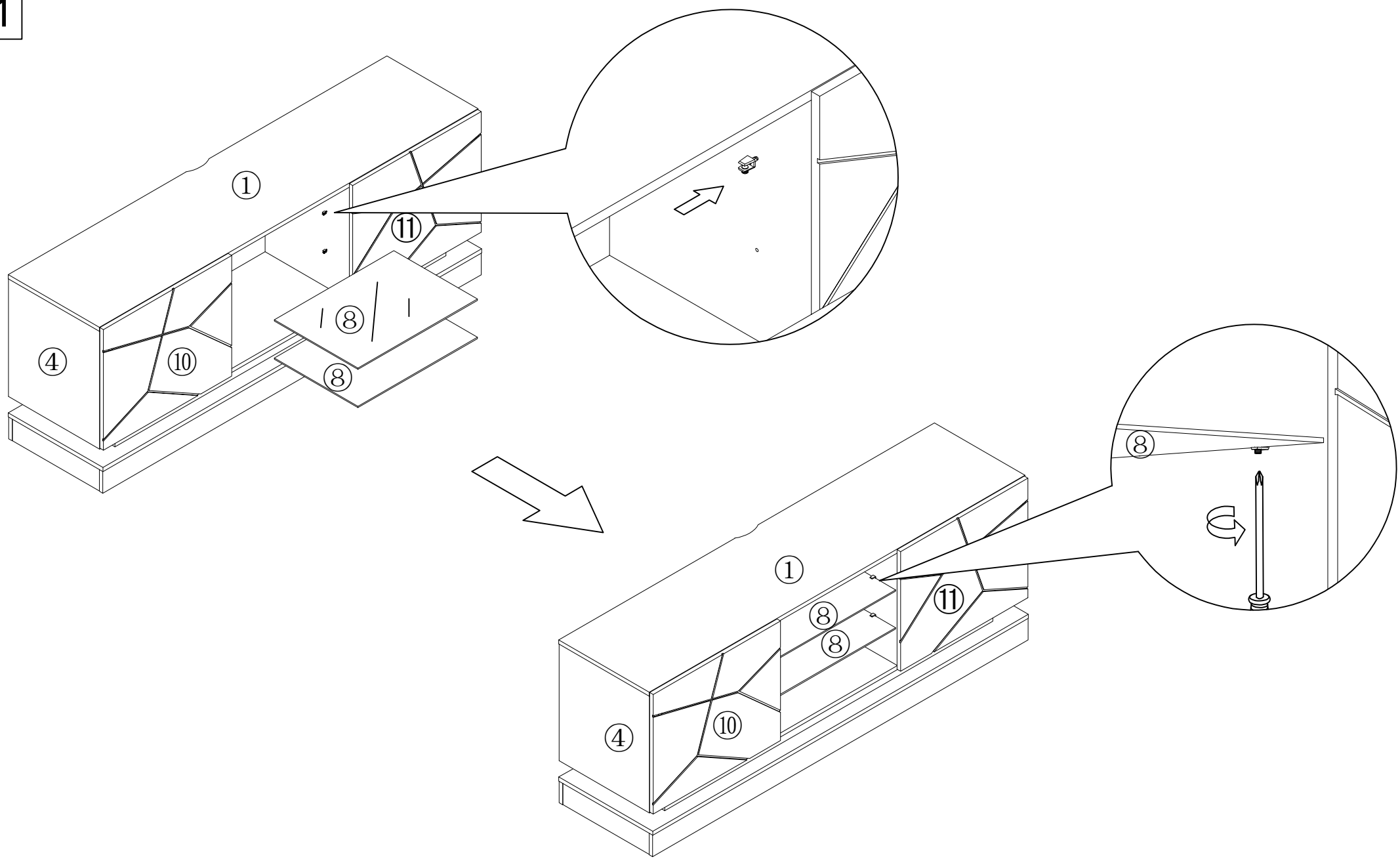


F*8

Put B on board ④⑤⑥

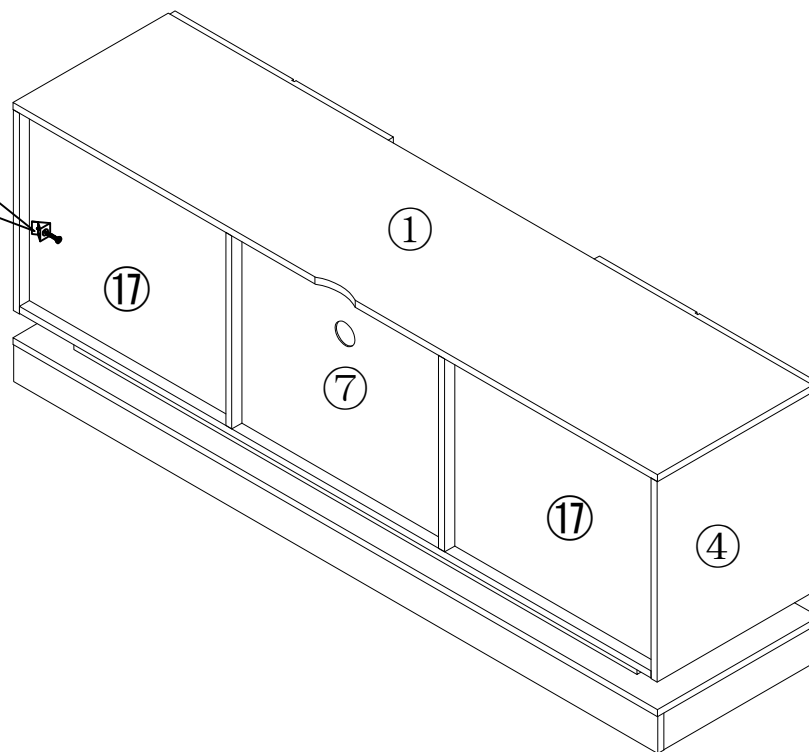
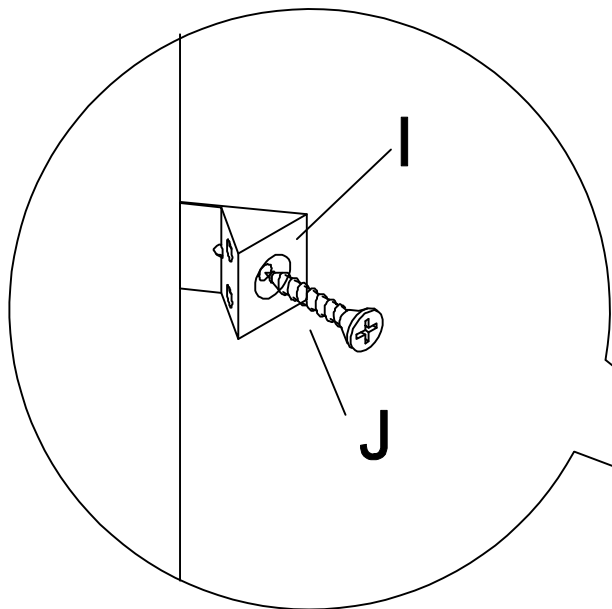


H*16



G*8

12



I*25

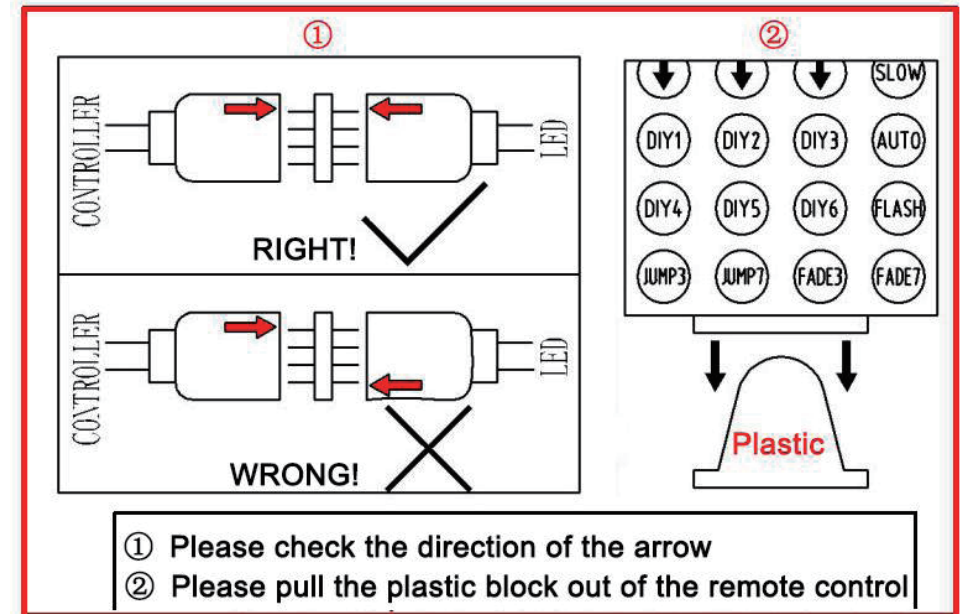


J*25

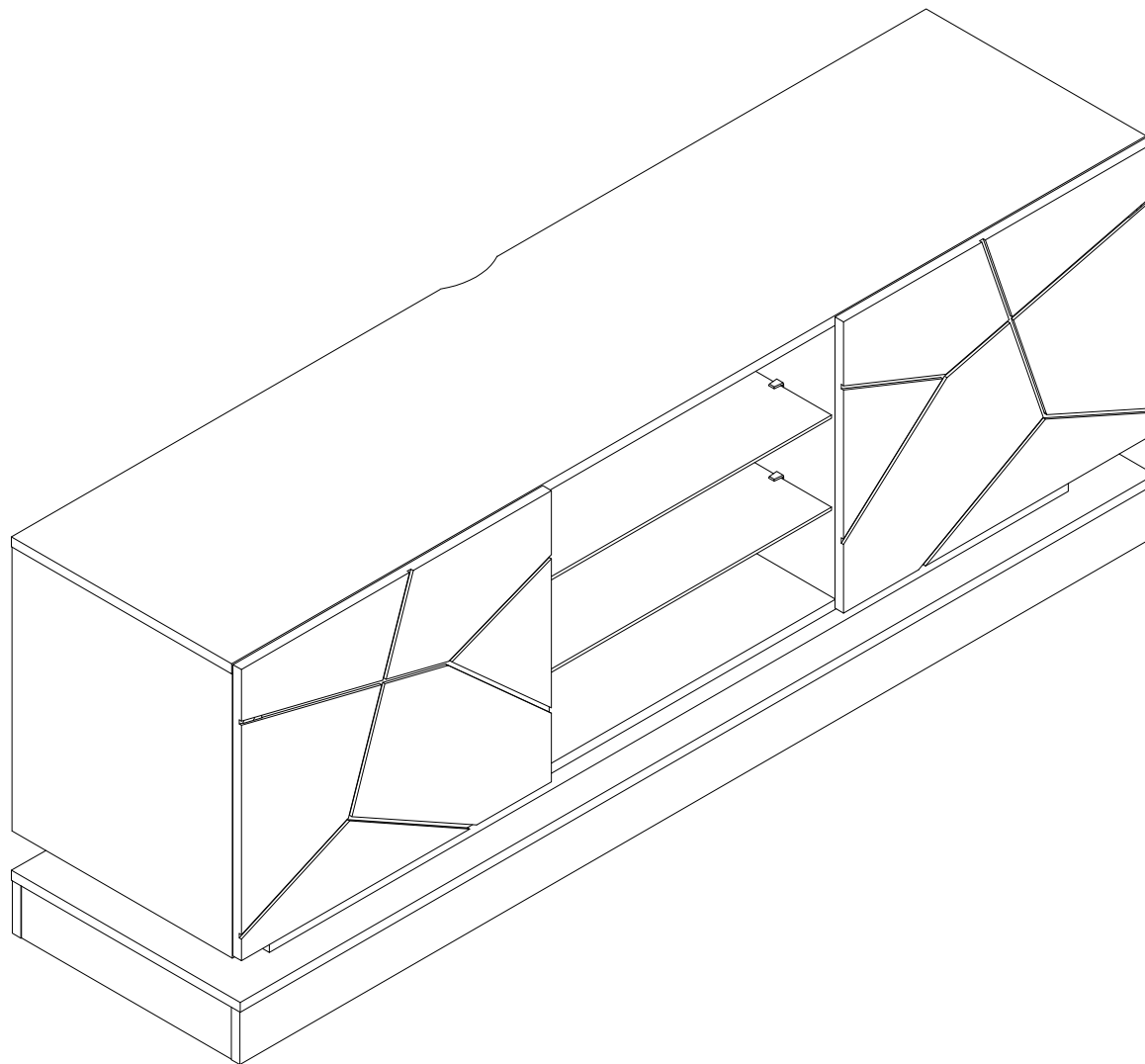
LED Light

If you can't let the lights work successfully, please check the following:

1. Please check the direction of the connect, try it in the opposite direction, according to the following picture.
2. Please check the remote control, it need you to tear down the plastic septum before use it.
3. Don't let the remote control too far from the receiver, make sure there is no obstruction between them.



END



2108057ZBJMY