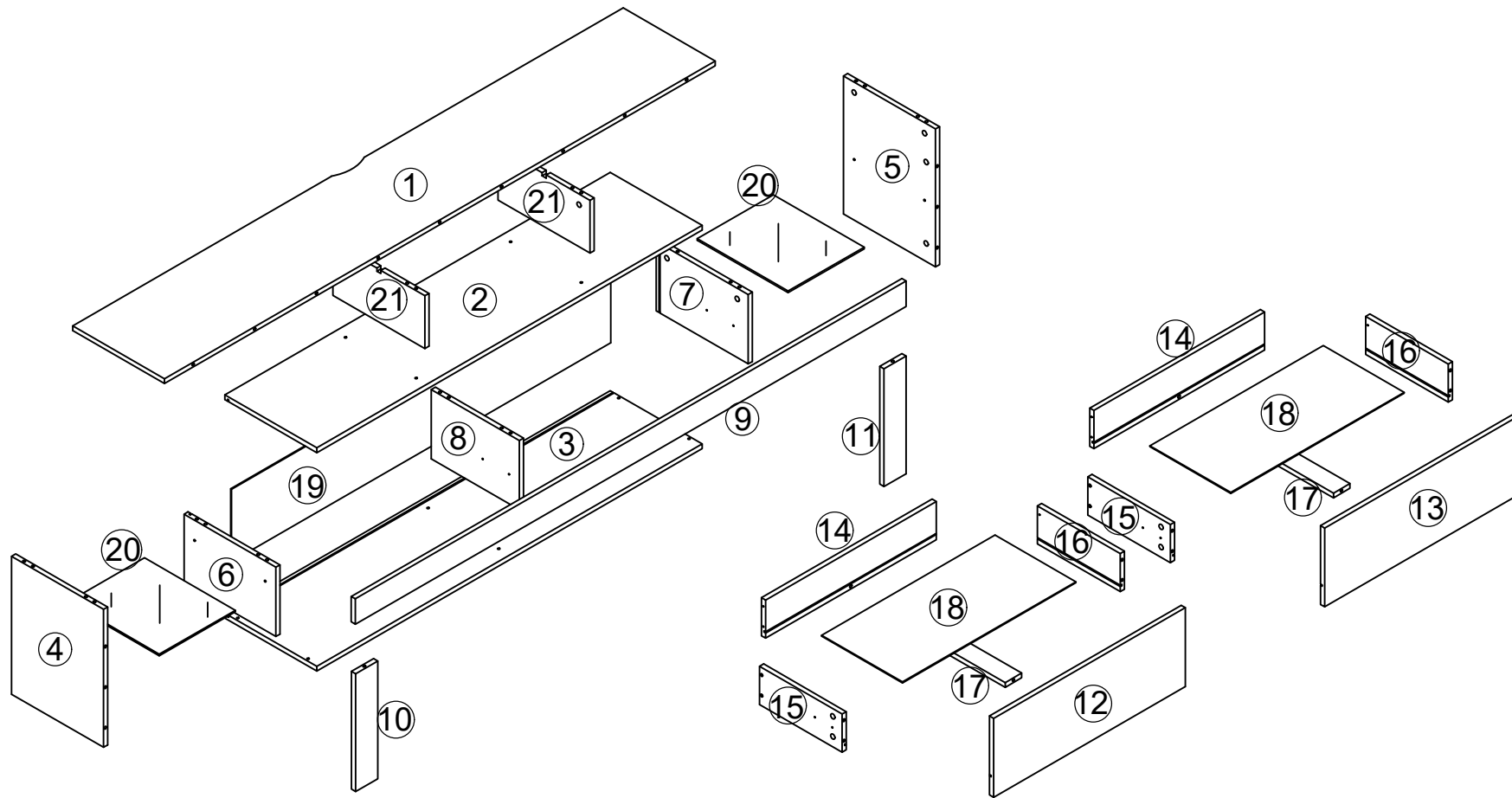
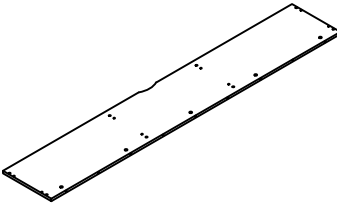
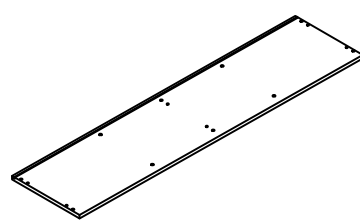
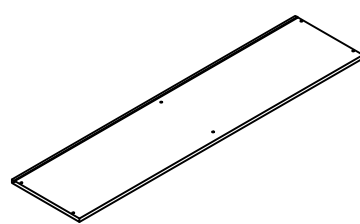
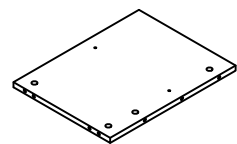
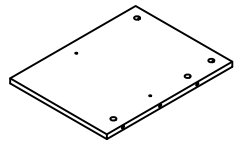
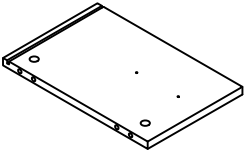
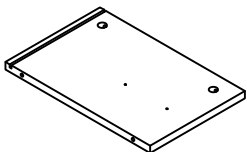
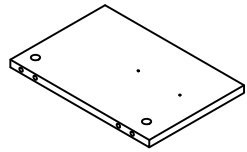
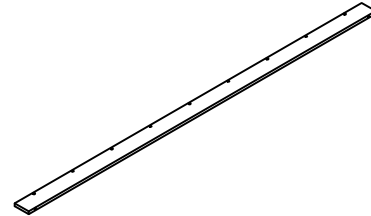
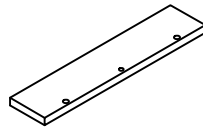
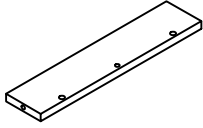
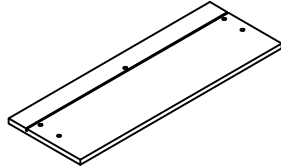
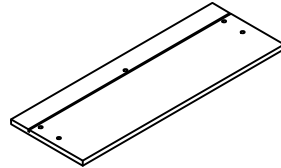
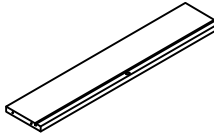
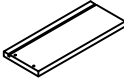
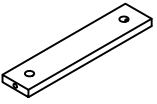
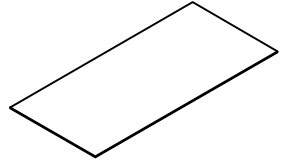
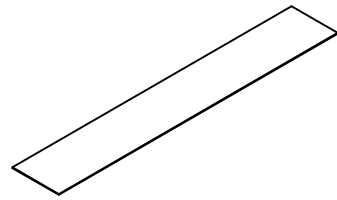
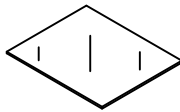
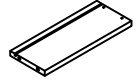
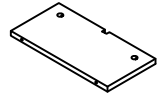


OME2208061



<p>K</p> <p>300mm</p> <p>K1 K2</p> <p>2PCS</p>	<p>L</p> <p>10PCS</p>	<p>M</p> <p>3*12</p> <p>10PCS</p>	<p>LED</p> <p>1PCS</p>	<p>A</p> <p>35PCS</p>	<p>B</p> <p>35PCS</p>	<p>C</p> <p>8*40</p> <p>22PCS</p>	<p>D</p> <p>3.5*14</p> <p>26PCS</p>	<p>E</p> <p>3.5*25</p> <p>10PCS</p>	<p>F</p> <p>3.5*35</p> <p>8PCS</p>	<p>G</p> <p>7*50</p> <p>10PCS</p>	<p>H</p> <p>5PCS</p>	<p>I</p> <p>8PCS</p>	<p>J</p> <p>10PCS</p>
---	------------------------------	--	-------------------------------	------------------------------	------------------------------	--	--	--	---	--	-----------------------------	-----------------------------	------------------------------

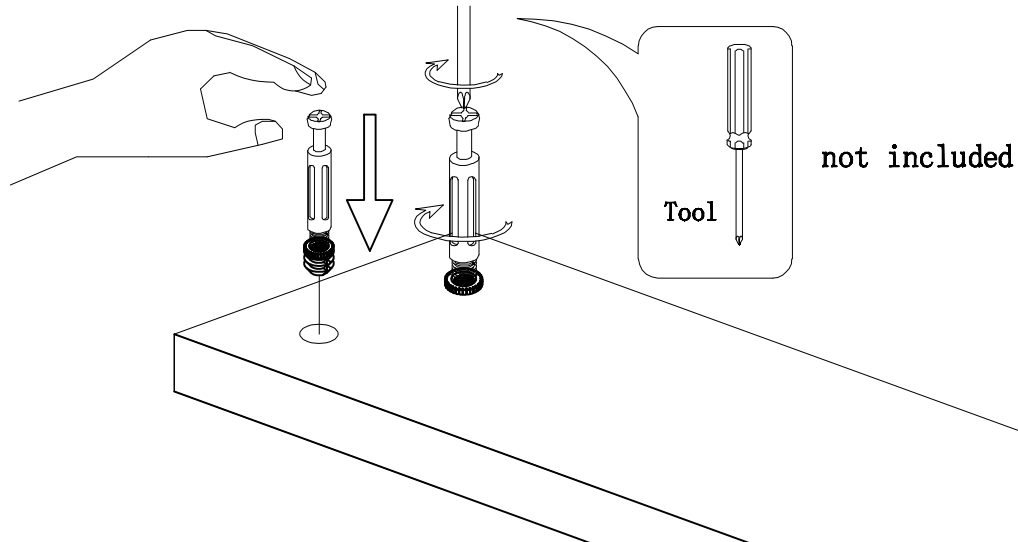
<p>1</p>  <p>2000*334 1PS</p>	<p>2</p>  <p>1400*334 1PS</p>	<p>3</p>  <p>1400*334 1PS</p>	<p>4</p>  <p>434*334 1PS</p>	<p>5</p>  <p>434*334 1PS</p>
<p>6</p>  <p>218*334 1PS</p>	<p>7</p>  <p>218*334 1PS</p>	<p>8</p>  <p>218*320 1PS</p>	<p>9</p>  <p>2000*80 1PS</p>	<p>10</p>  <p>370*80 1PS</p>
<p>11</p>  <p>370*80 1PS</p>	<p>12</p>  <p>697*248 1PS</p>	<p>13</p>  <p>697*248 1PS</p>	<p>14</p>  <p>620*120 2PS</p>	<p>15</p>  <p>300*120 2PS</p>
<p>17</p>  <p>284*60 2PS</p>	<p>18</p>  <p>630*294 2PS</p>	<p>19</p>  <p>1378*228 1PS</p>	<p>20</p>  <p>330*276 2PS</p>	<p>16</p>  <p>300*120 2PS</p> <p>21</p>  <p>166*334 2PS</p>



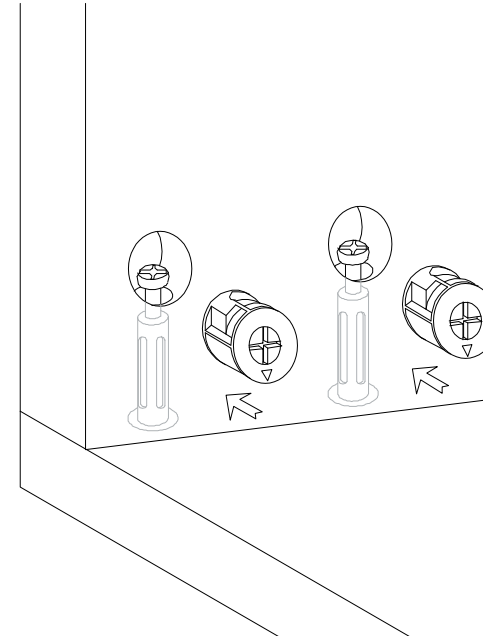
Hardware installation demonstration

NOTE: Please make sure "A" hardware tightened and can't be pulled out!

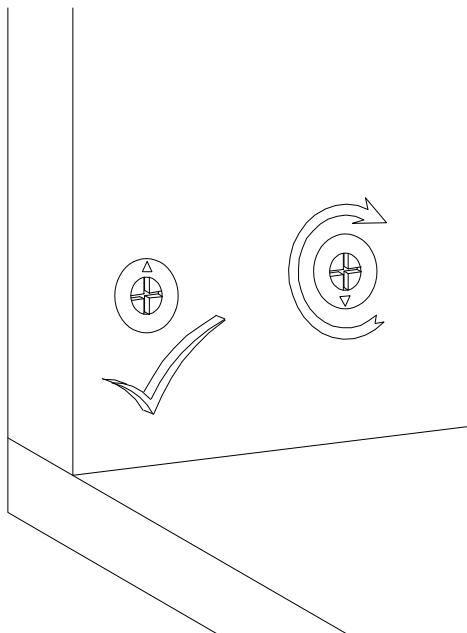
I



II



III

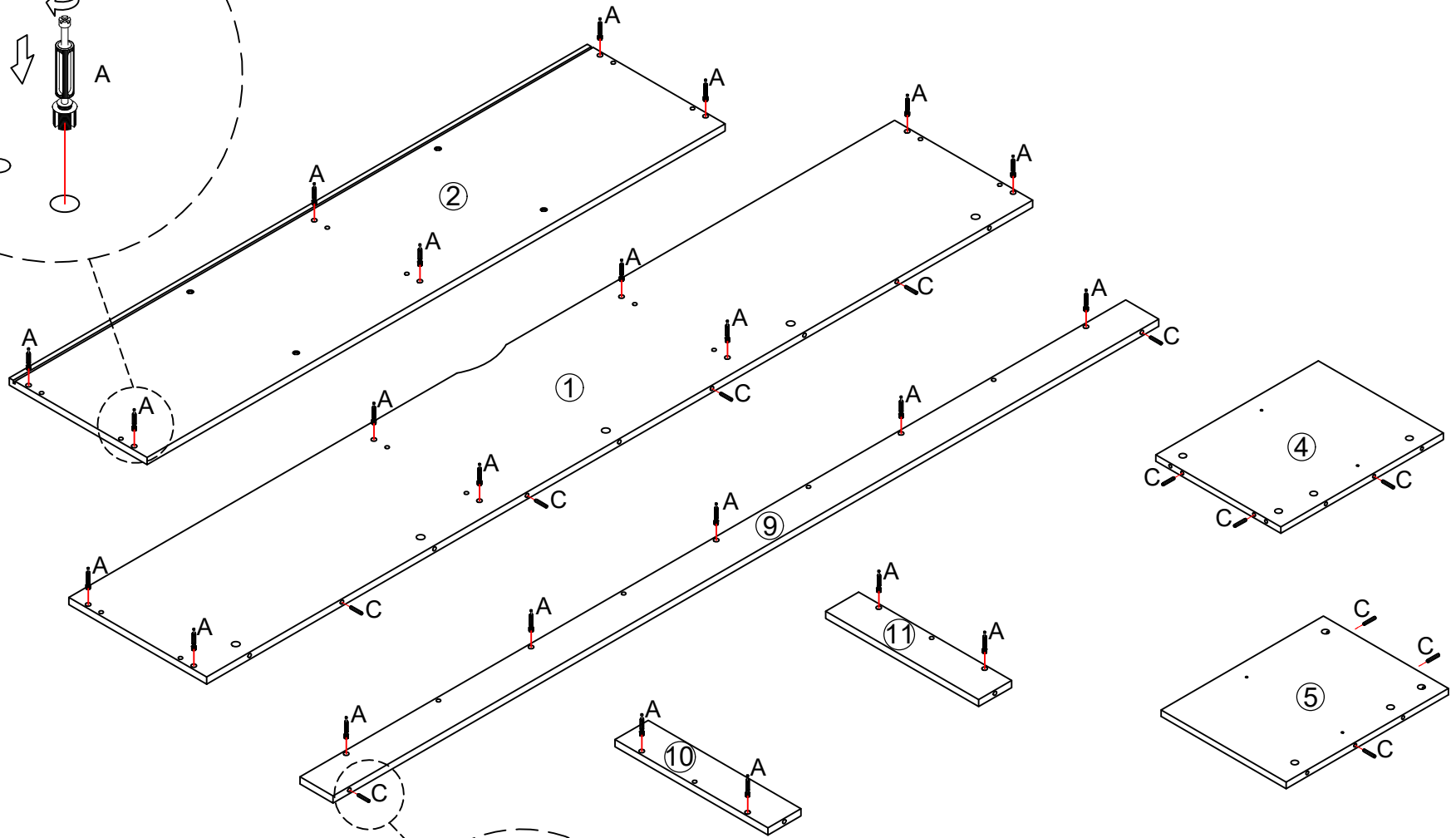
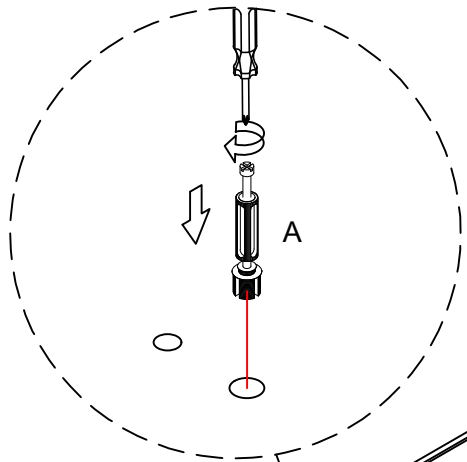



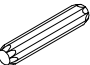
IV



Scan QR code for assembly video

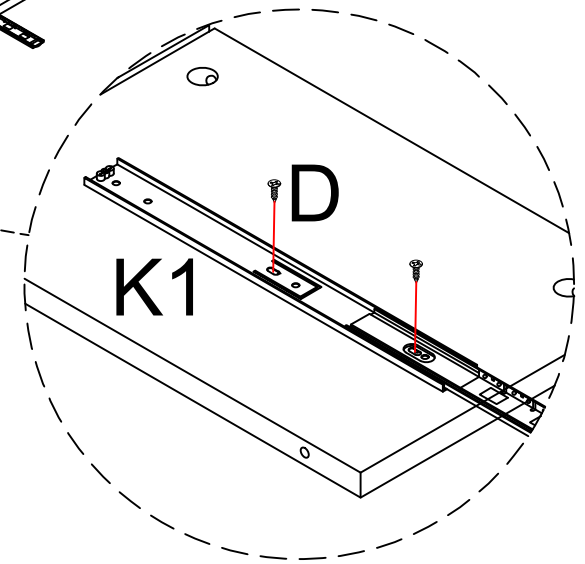
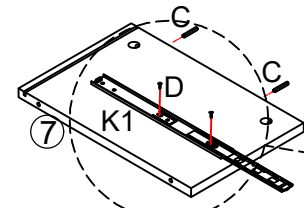
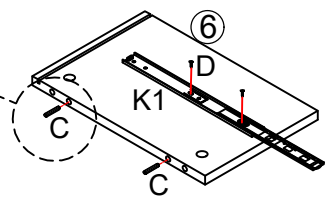
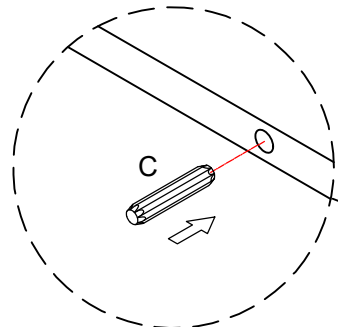
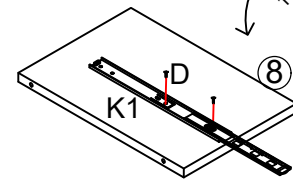
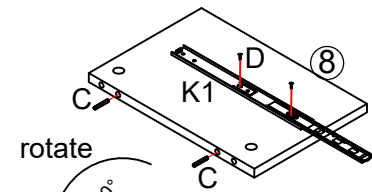
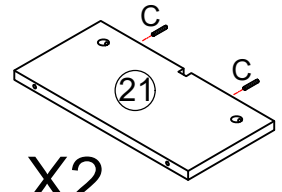
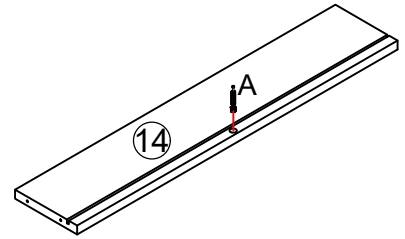
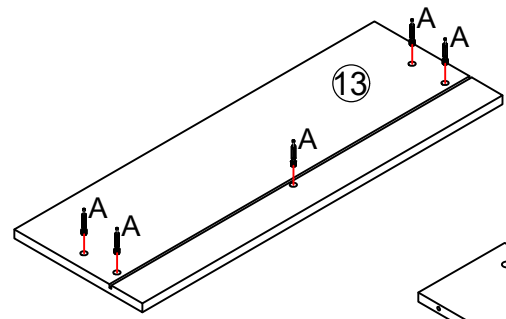
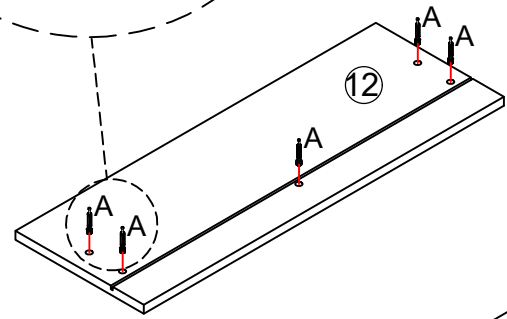
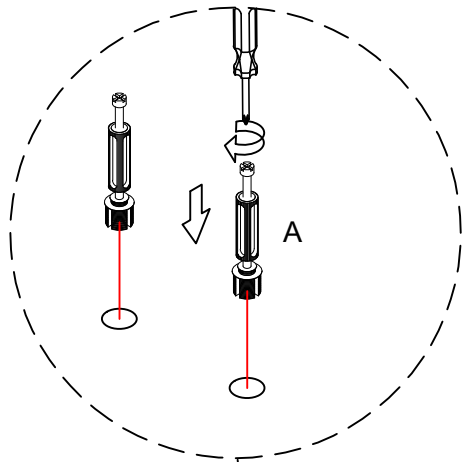
1


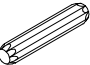




	A*23
	C*12

put A on board ① ② ⑨ ⑩ ⑪
put C on board ① ⑨

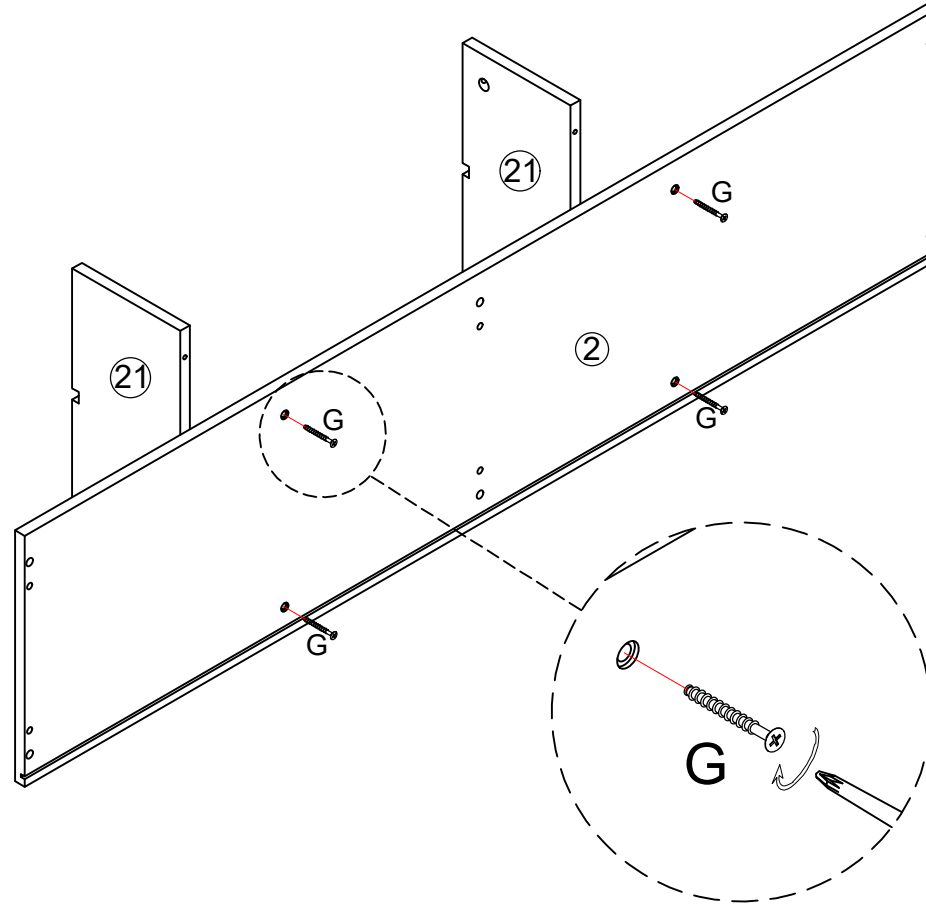
2



	A*12
	C*10
	D*8
	K1*4

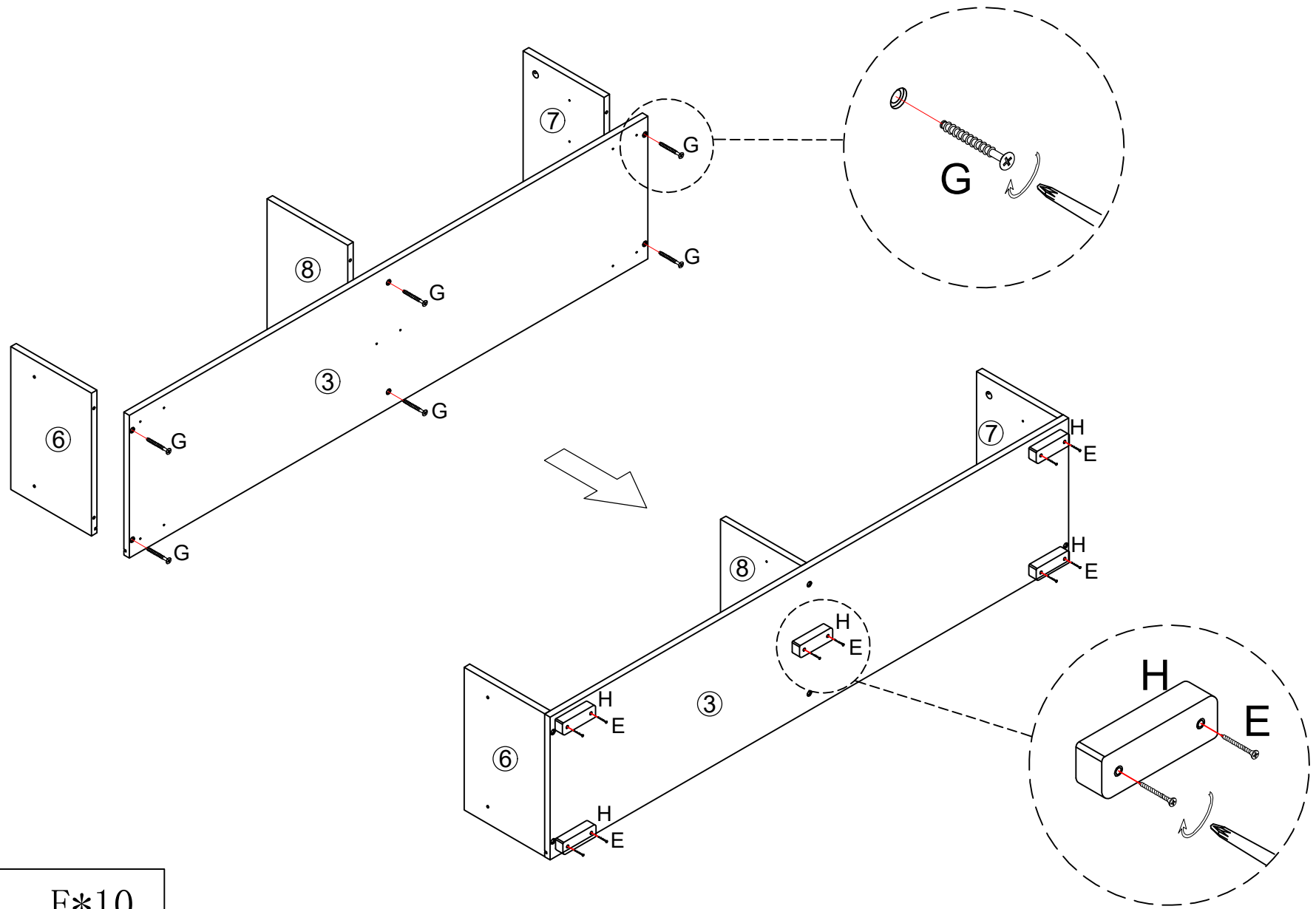
put A on board ⑫ ⑬ ⑭
 put C on board ⑥ ⑦ ⑧ ⑳

3

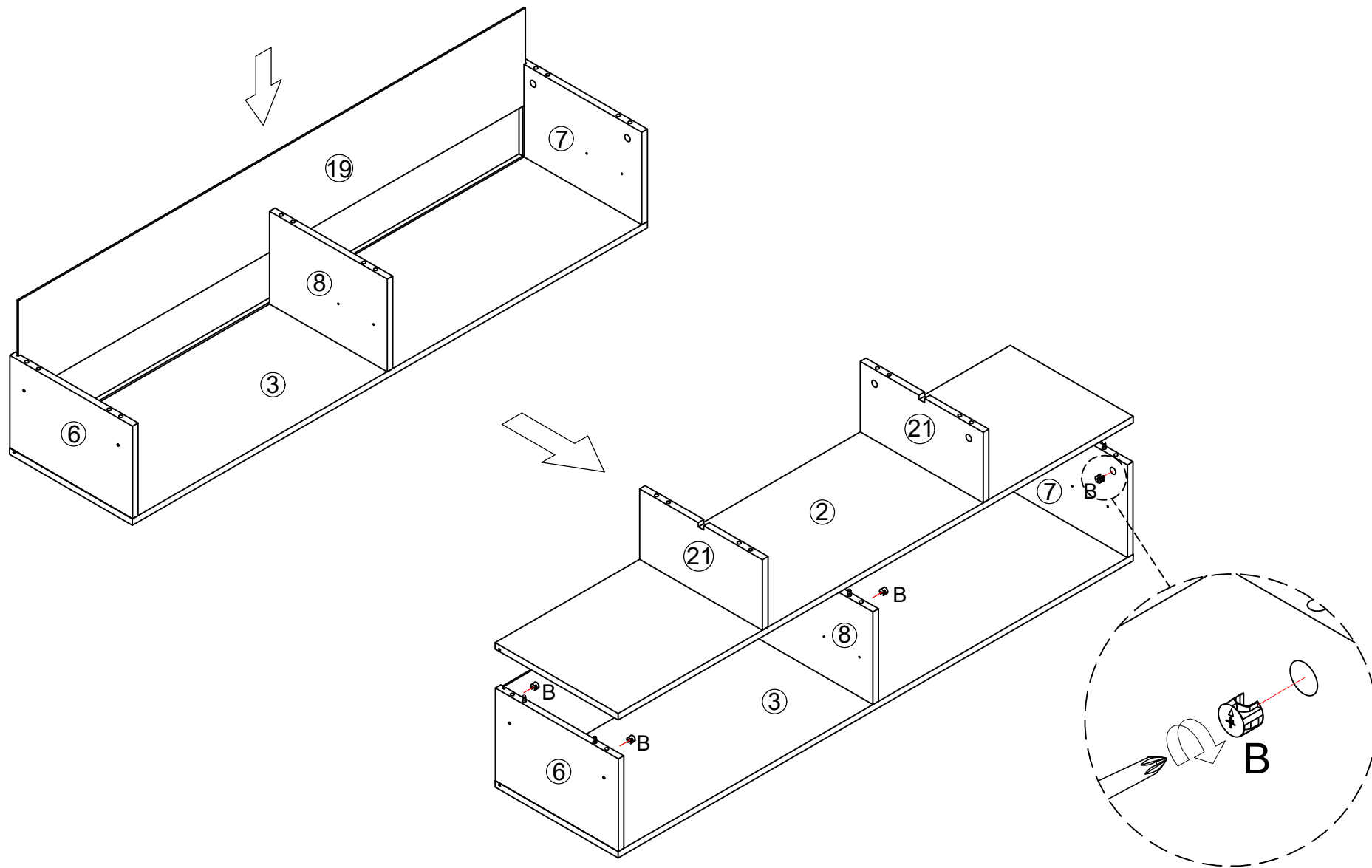


G*4

4



5



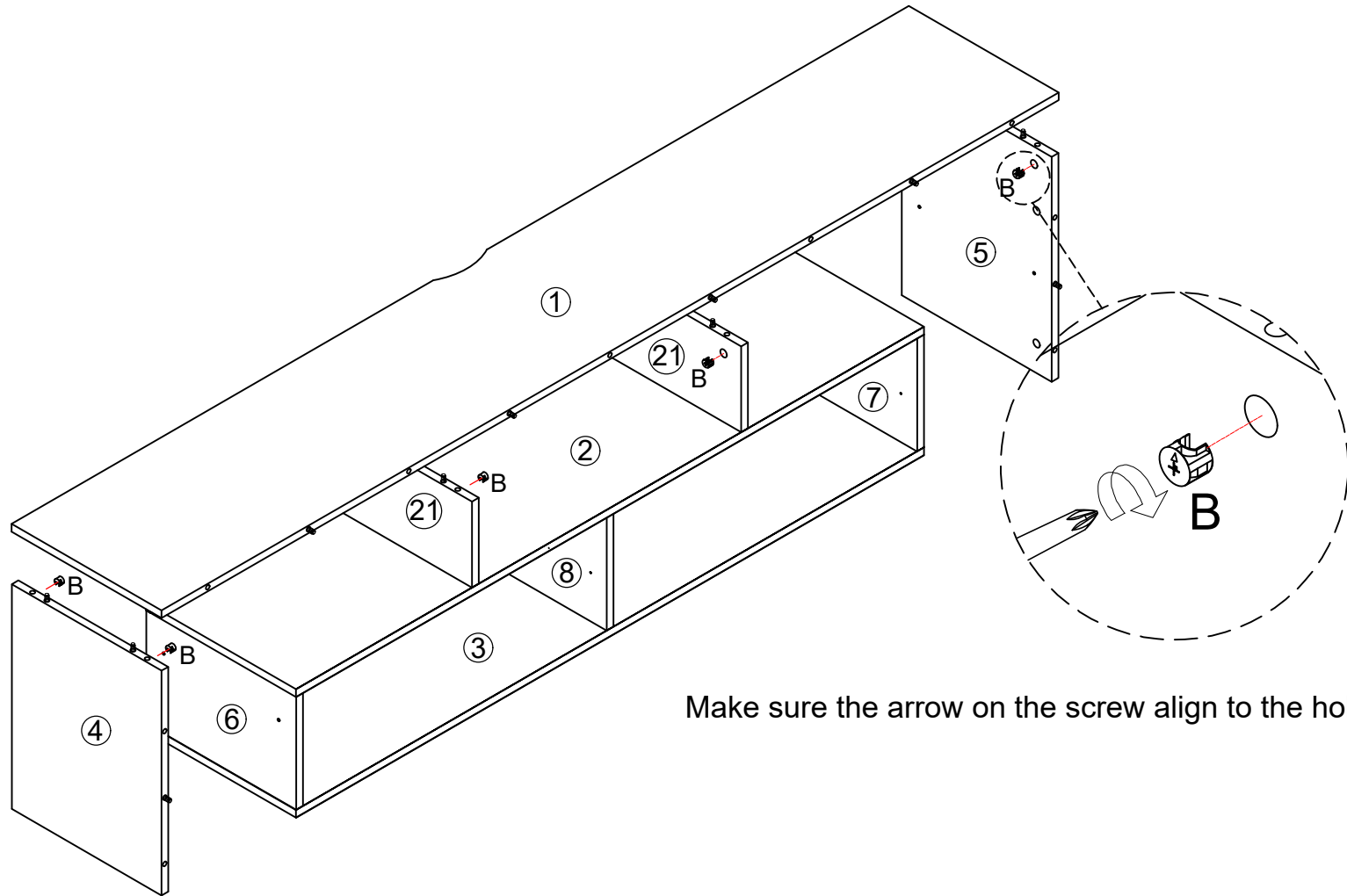
Make sure the arrow on the screw align to the hole on the side.

put B on board ⑥ ⑦ ⑧



B*6

6



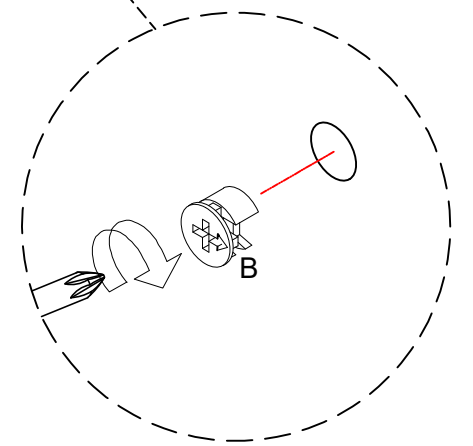
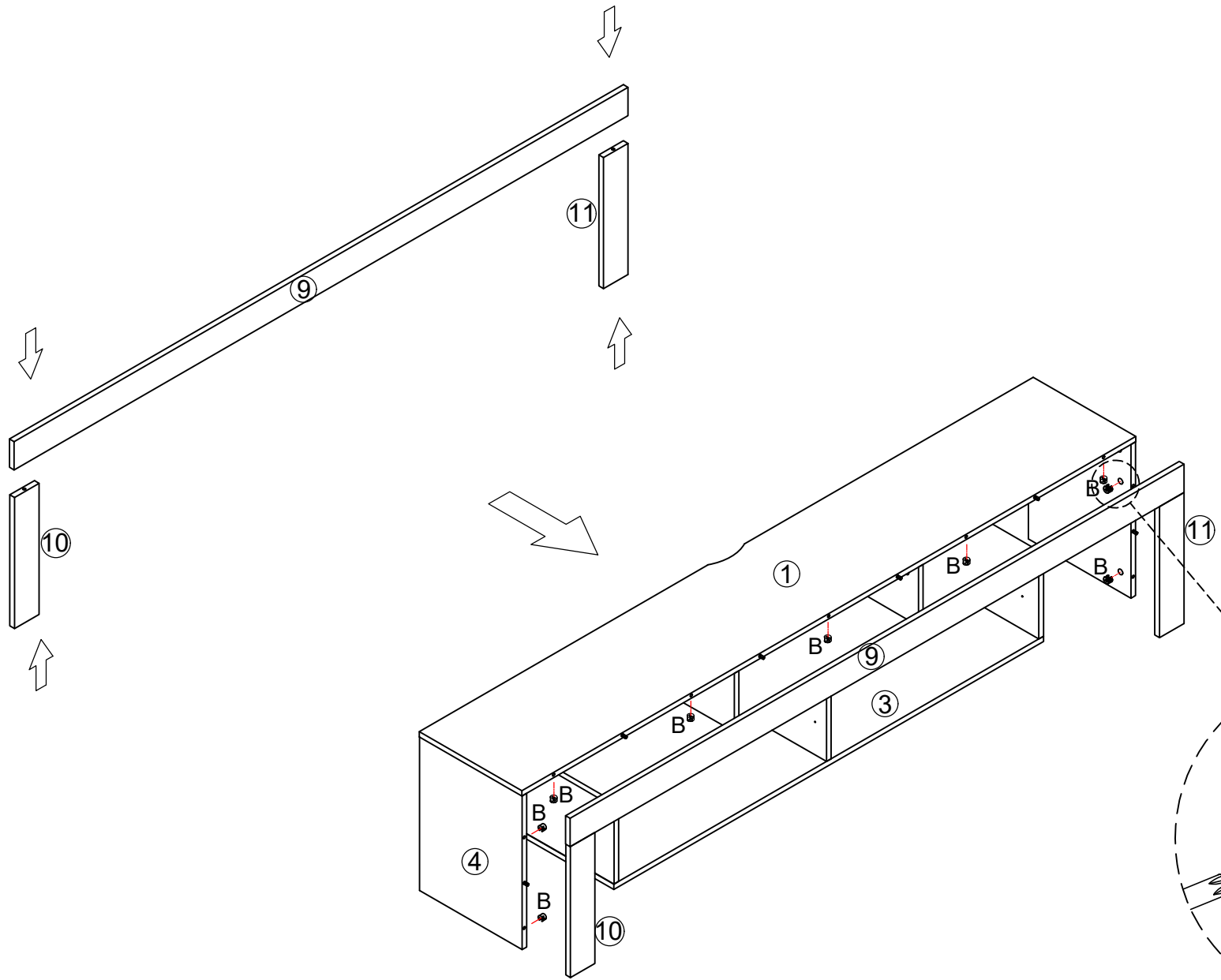
Make sure the arrow on the screw align to the hole on the side.



B*8

put B on board ④ ⑤ ②①

7



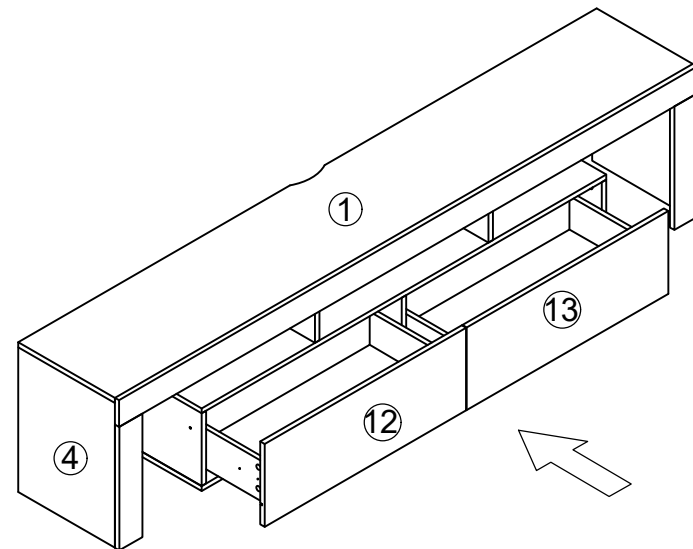
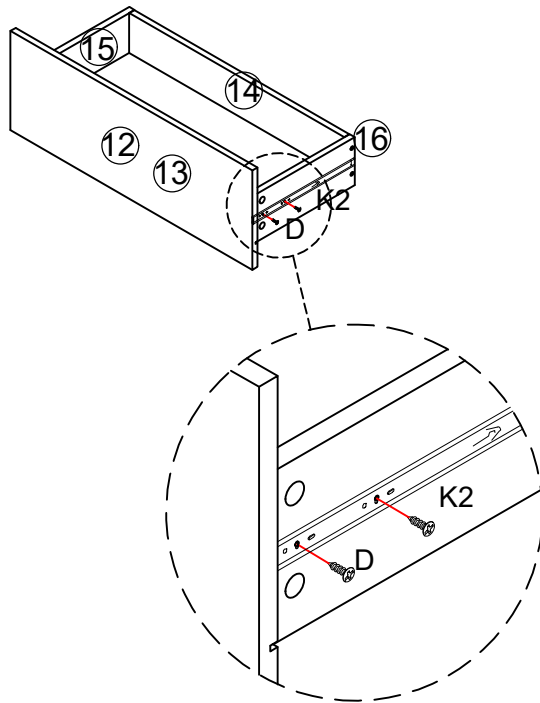
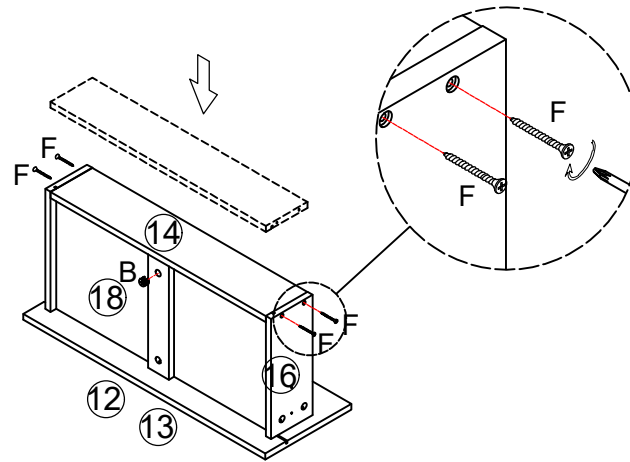
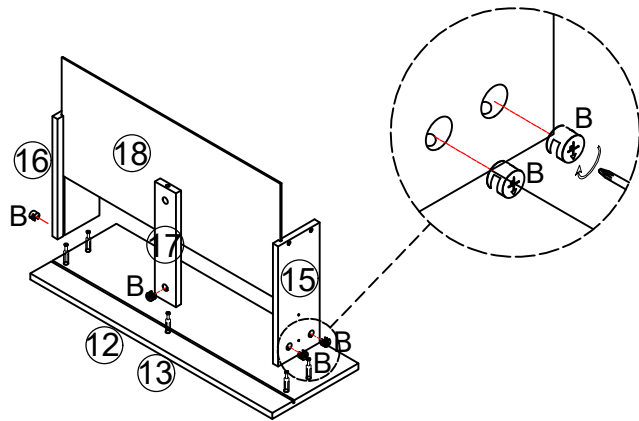
Make sure the arrow on the screw align to the hole on the side.





put B on board ① ④ ⑤



B*9

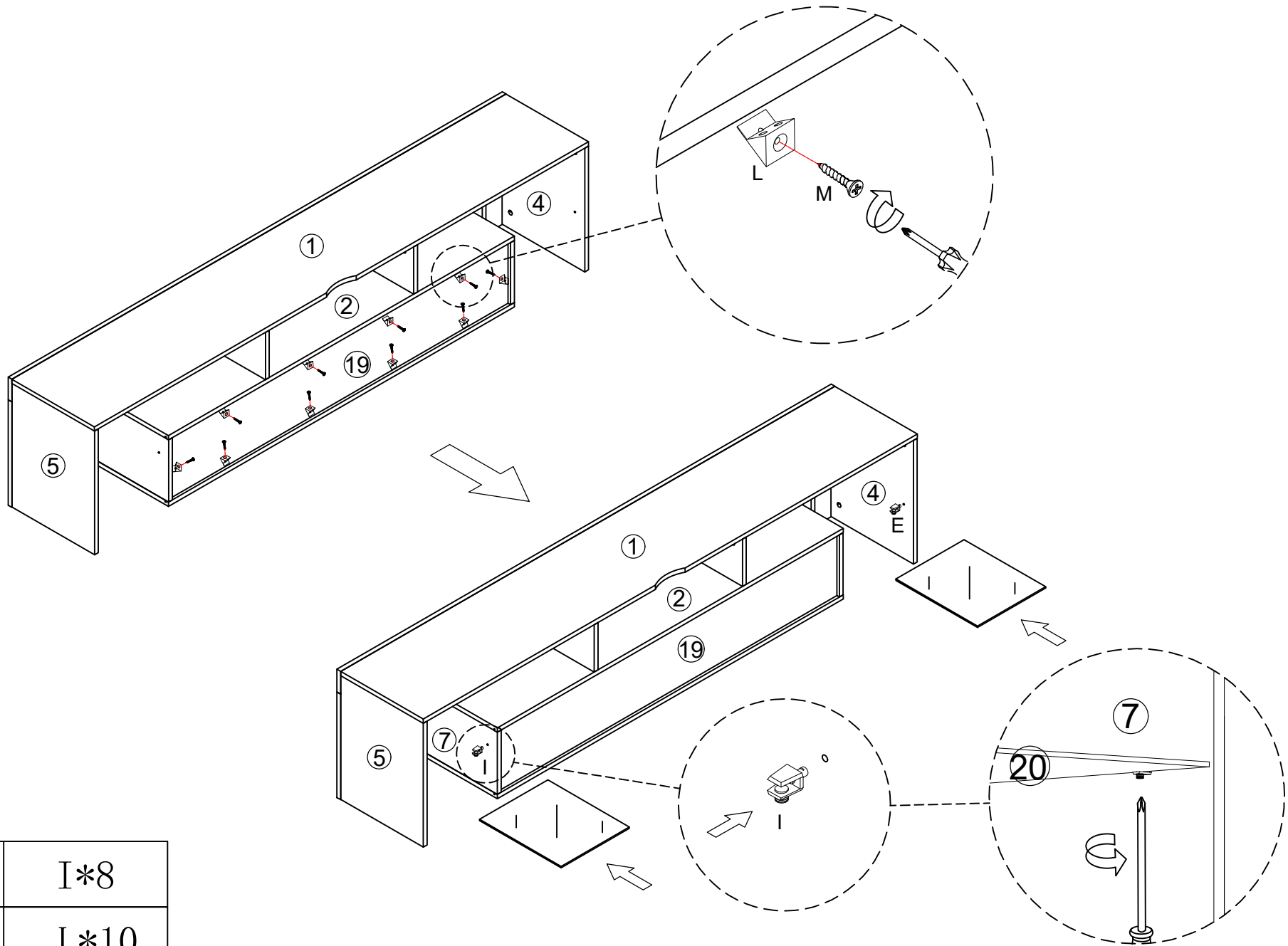
8






	B*12
	D*8
	F*8
	K2*4

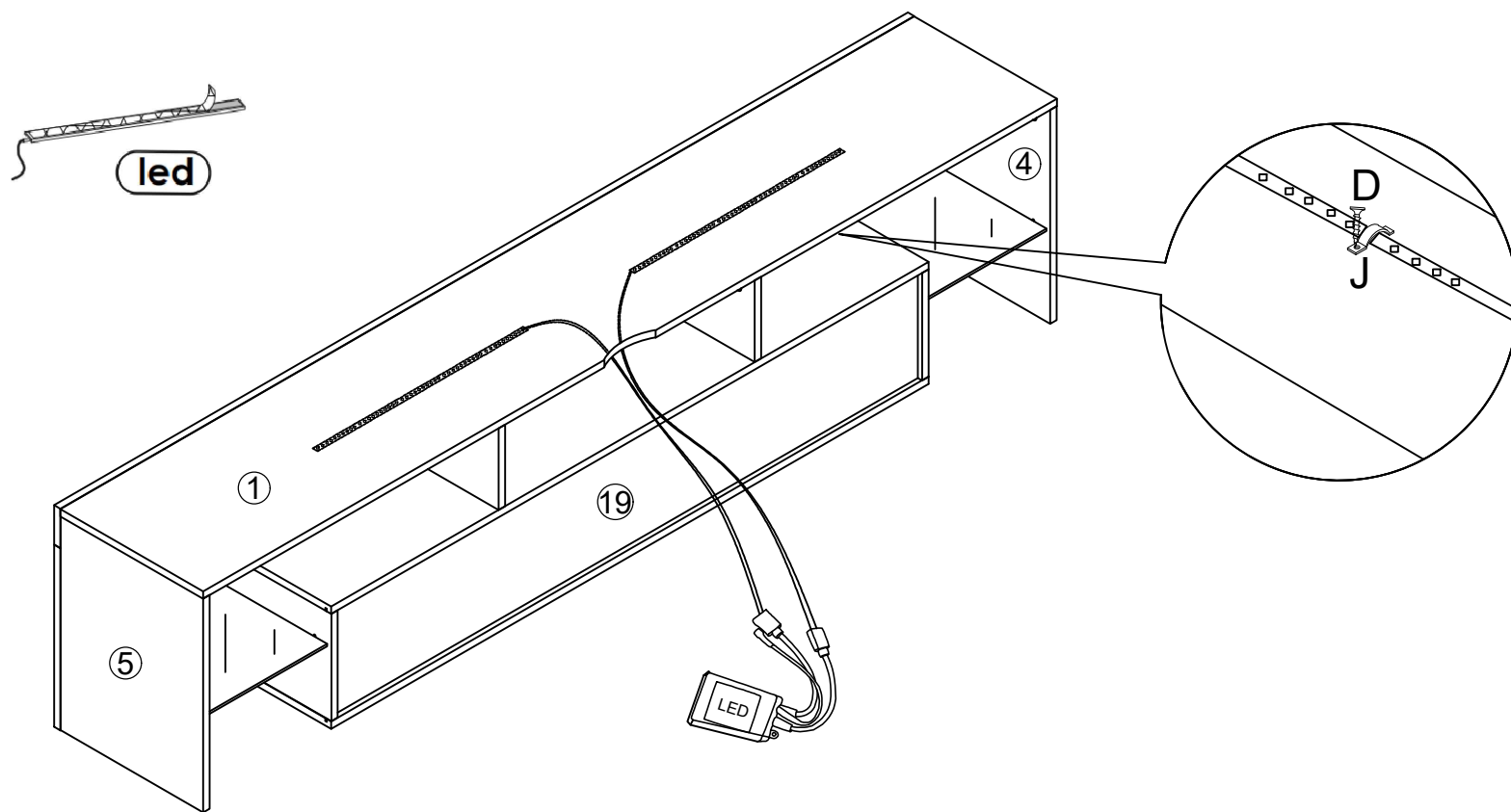
put B on board 15 16

9



	I*8
	L*10
	M*10

10



D*10

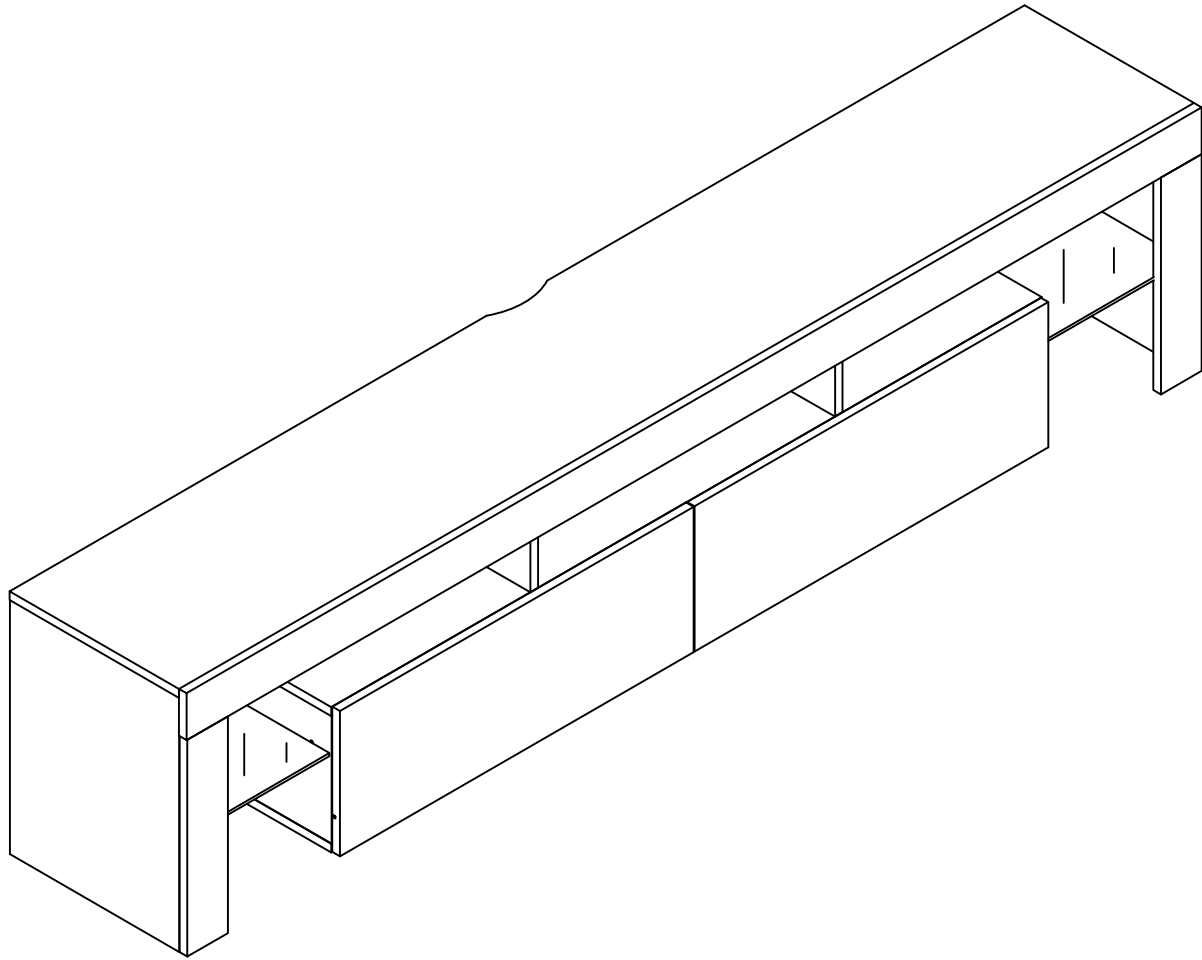


J*10



LED

11



LED Light

If you can't let the lights work successfully, please check the following:

1. Please check the direction of the connect, try it in the opposite direction, according to the following picture.
2. Please check the remote control, it need you to tear down the plastic septum before use it.
3. Don't let the remote control too far from the receiver, make sure there is no obstruction between them.

