

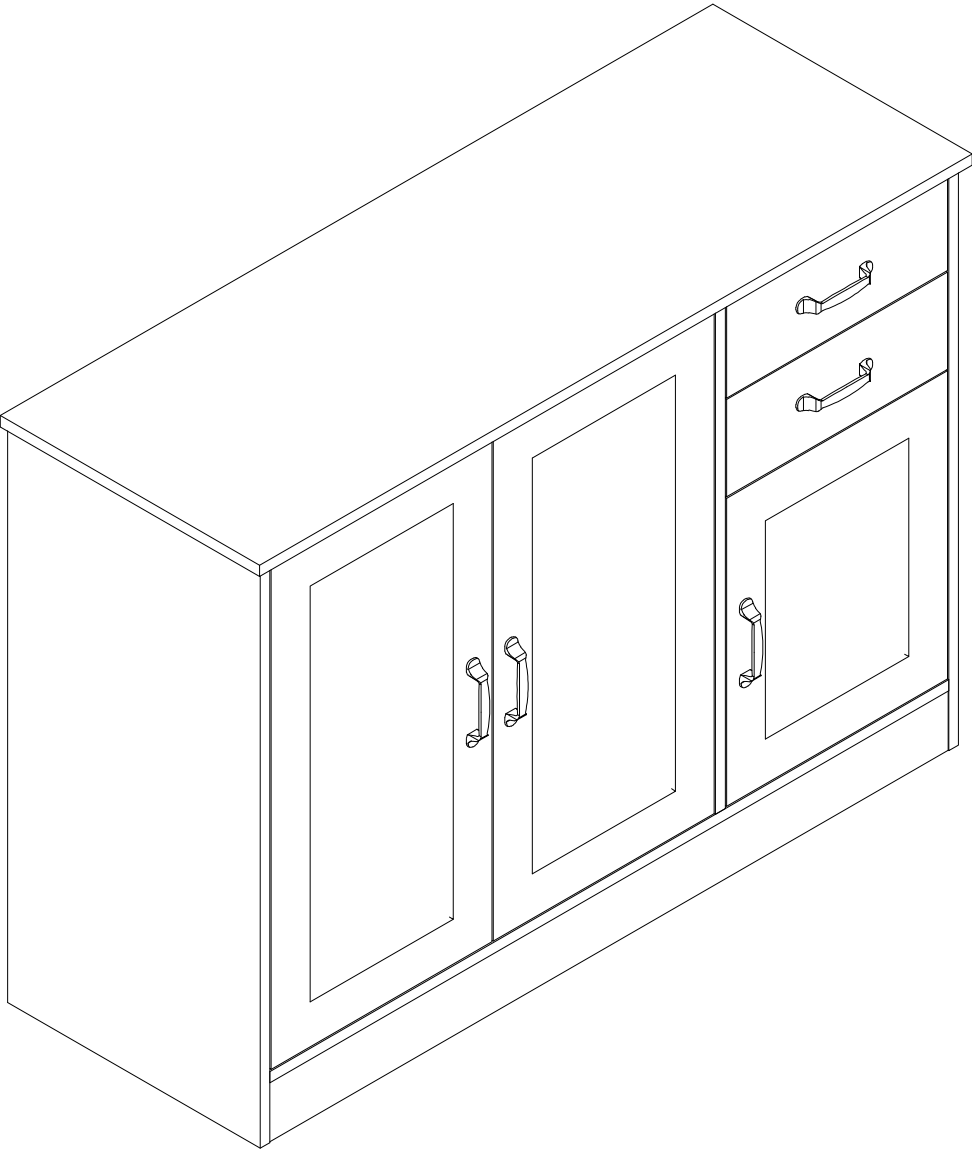


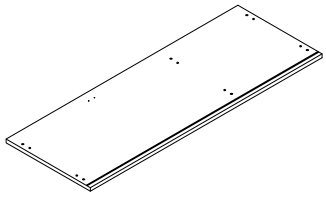
Children have died from furniture tipover. Fixed wall device have been included with this product; you must install the fixed wall device according to these instructions in order to minimize the risk of furniture. If you have any questions about this product or the fixed wall device, please contact us immediately.

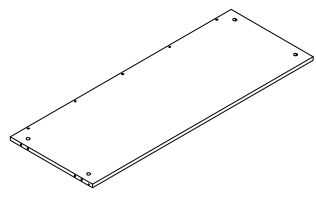
Never allow children to climb or hang on furniture, including drawers or cabinet doors. In addition to installing the restrains, to help prevent tip-over:

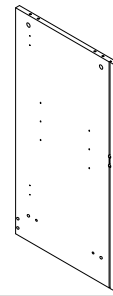
1. Never put a TV or other heavy objects on top of this product.
2. Do not stand on the product.

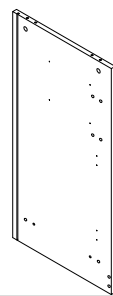
⚠️ WARNING	
<p>Children have died from furniture tipover. To reduce the risk of furniture tipover: ALWAYS install tipover restraint provided.</p> <ul style="list-style-type: none">• NEVER put a TV on this product. NEVER allow children to stand, climb or hang on drawers, doors, or shelves.• NEVER open more than one drawer at a time.• Place heaviest items in the lowest drawers.• Do not defeat or remove the drawer interlock system. <p><i>This is a permanent label. Do not remove!</i></p>	 

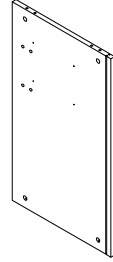


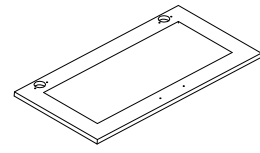
1 1100*400

1PCS

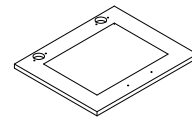
2 1048*390

1PCS

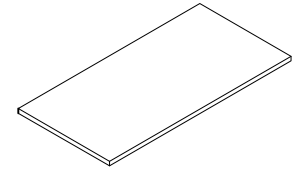
3 775*390

1PCS

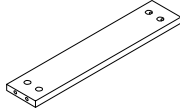
4 775*390

1PCS

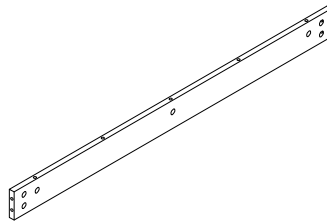
5 680*390

1PCS

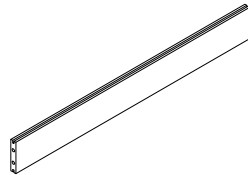
6 676*341

2PCS

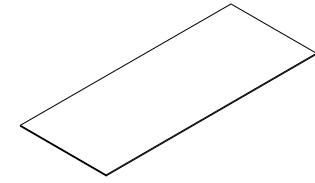
7 412*341

1PCS

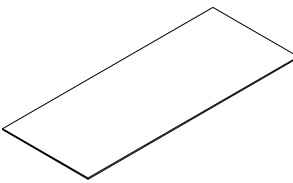
8 685*344

1PCS

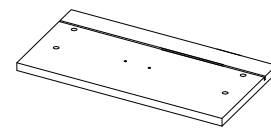
9 345*80

2PCS

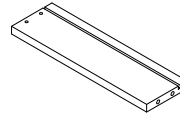
10 1048*80

1PCS

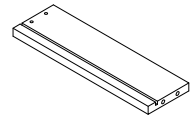
11 688*80

1PCS

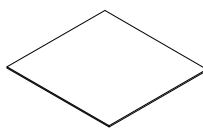
12 697*310

2PCS

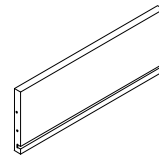
13 354*690

1PCS

14 341*130

2PCS

15 300*90

2PCS

16 300*90

2PCS

17 299*294

2PCS

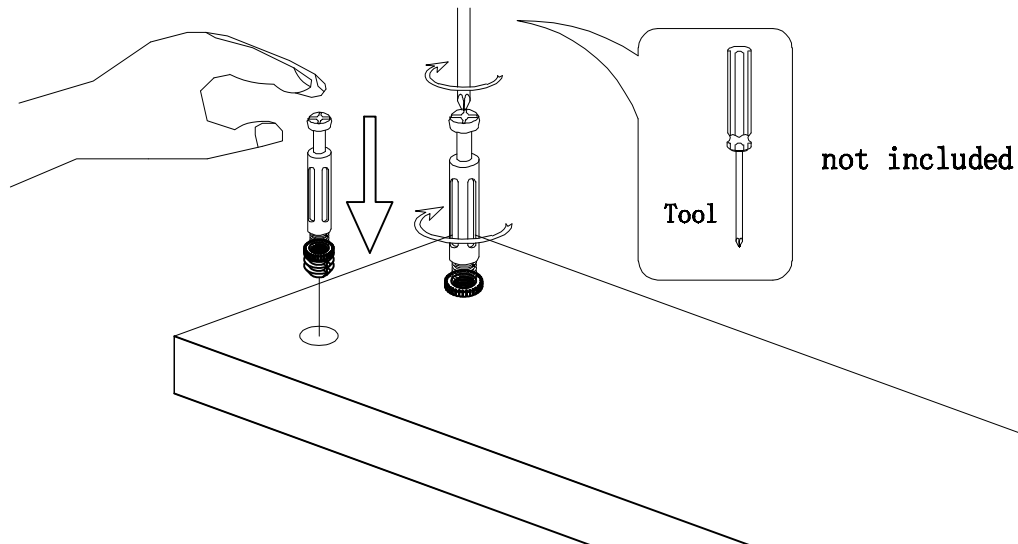
18 289*90

2PCS



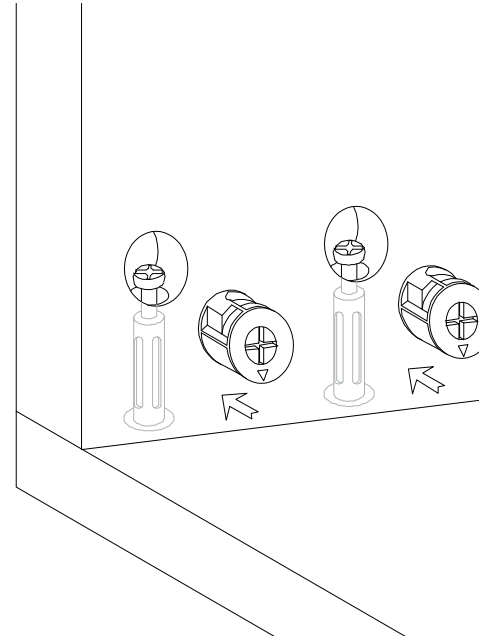
Hardware installation demonstration

NOTE: Please make sure "A" hardware tightened and can't be pulled out!

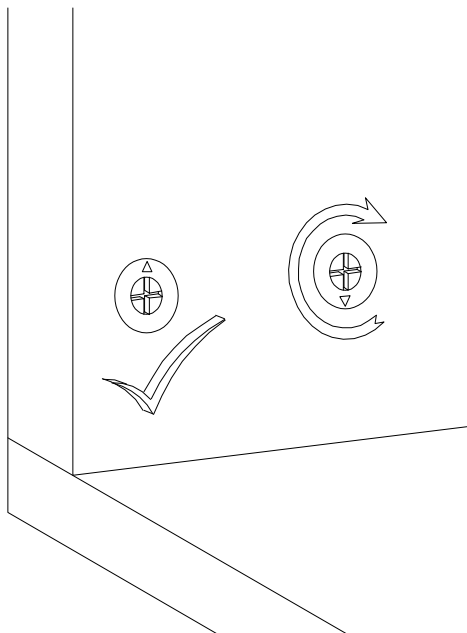
I



II



III

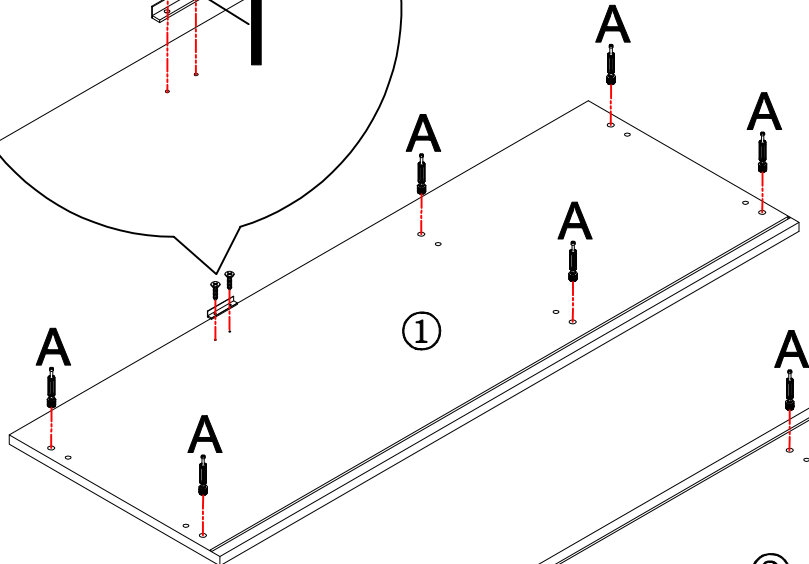
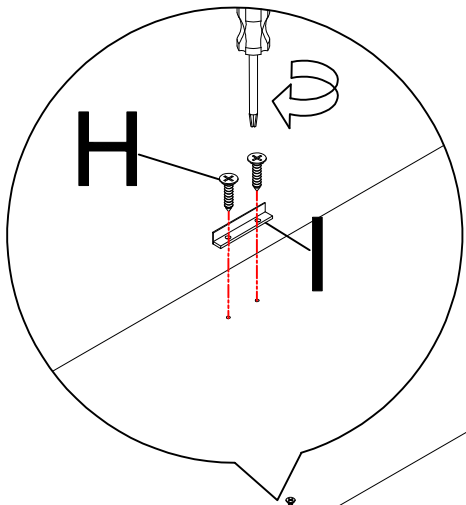


IV

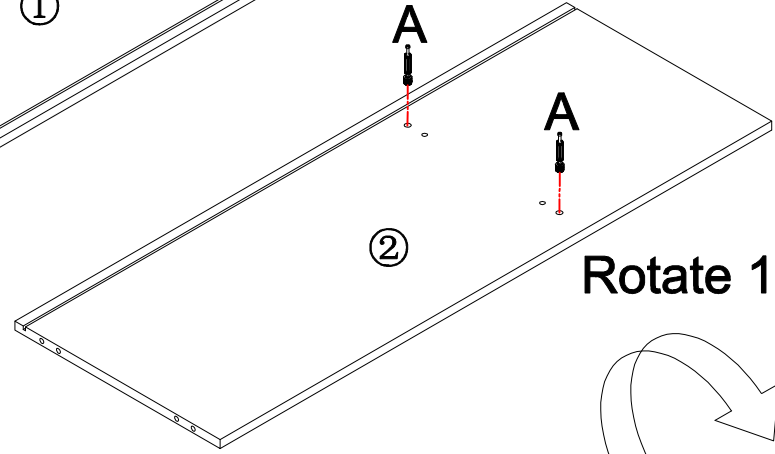


Scan QR code for assembly video

1

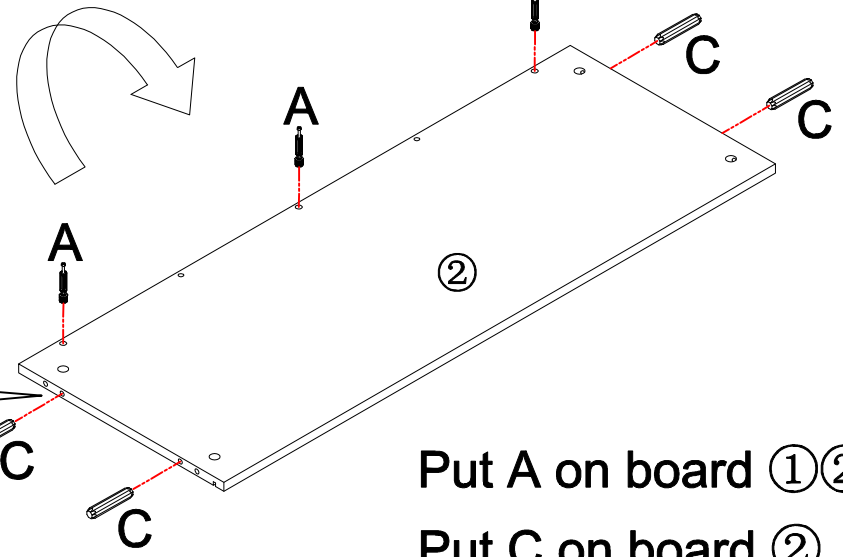
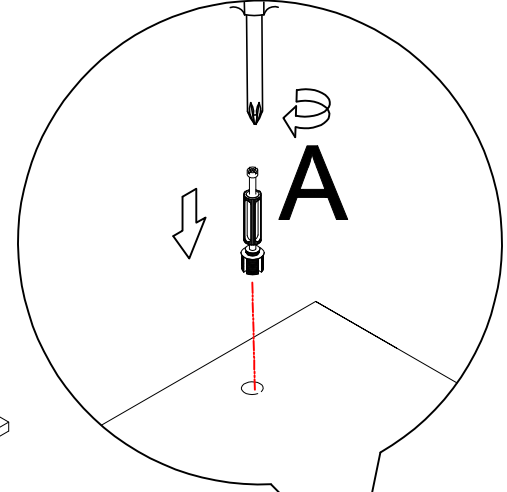


①



②

Rotate 180°



Put A on board ①②

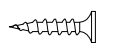
Put C on board ②



A*11



C*4

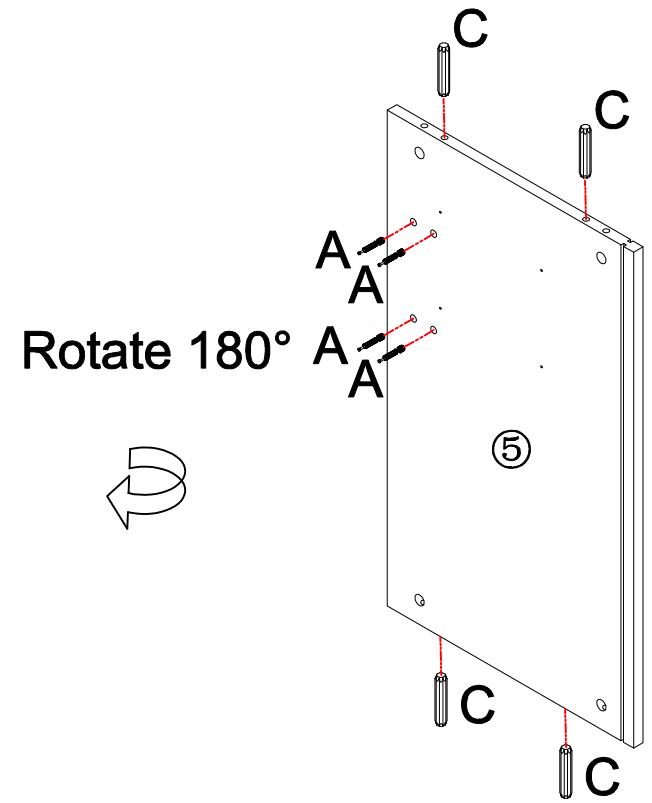
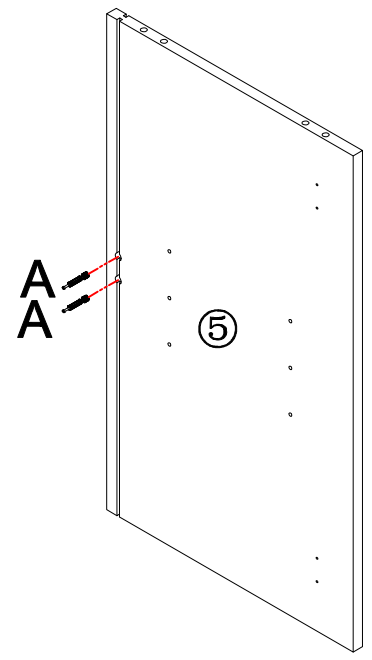
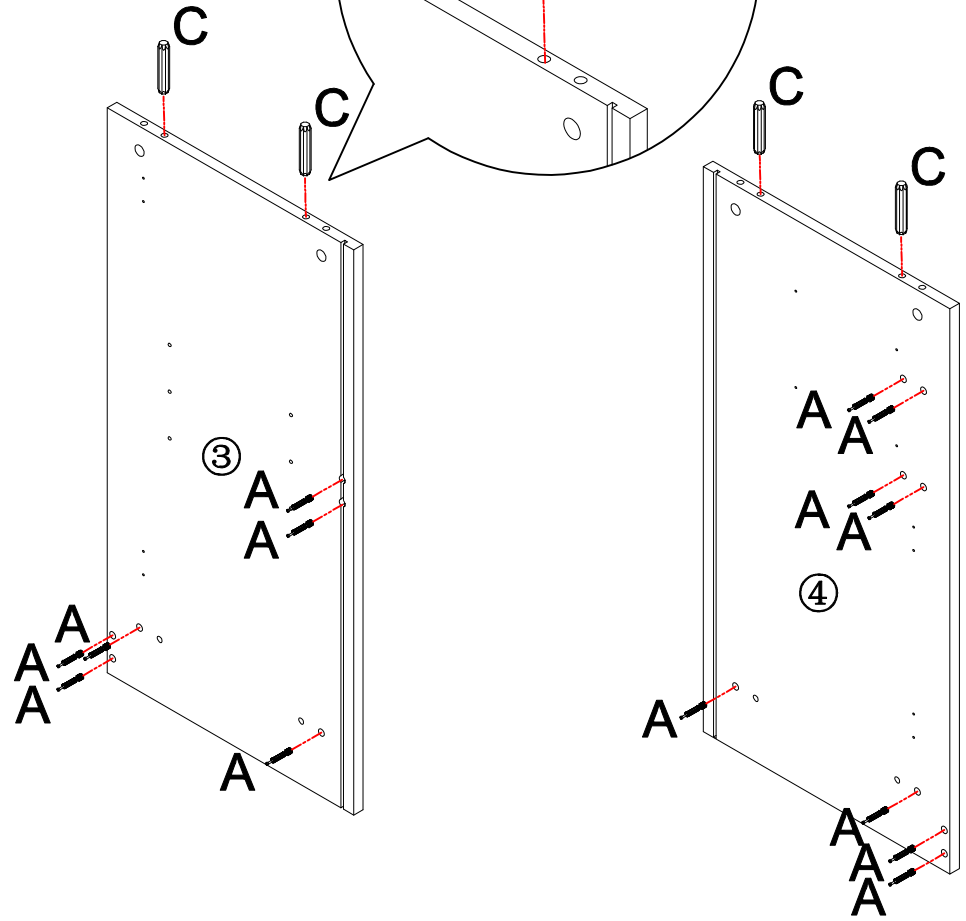
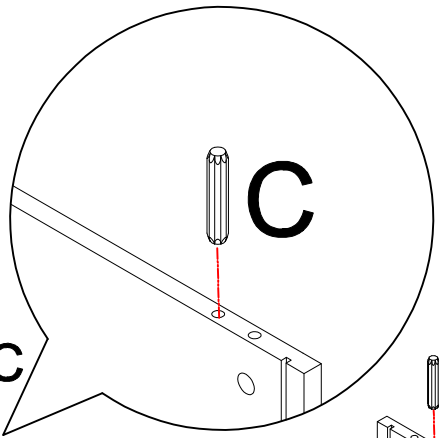


H*2

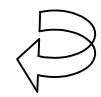


I*1

2



Rotate 180°



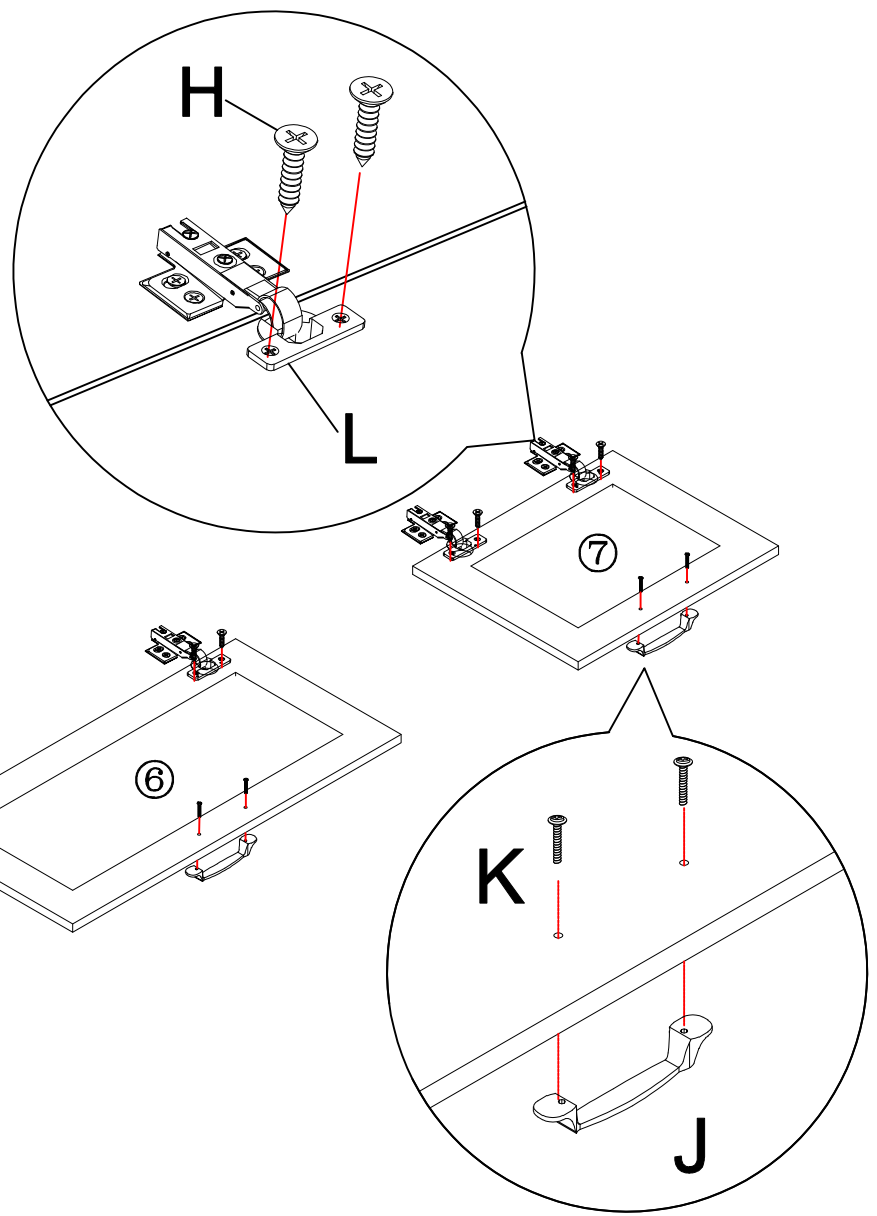
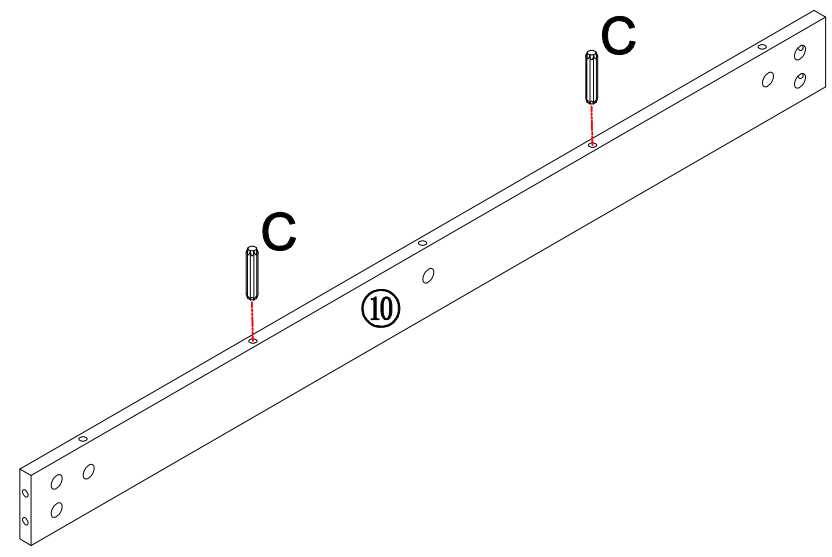
A*20




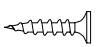
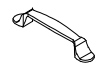

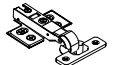
C*8

Put A on board ③④⑤

Put C on board ③④⑤

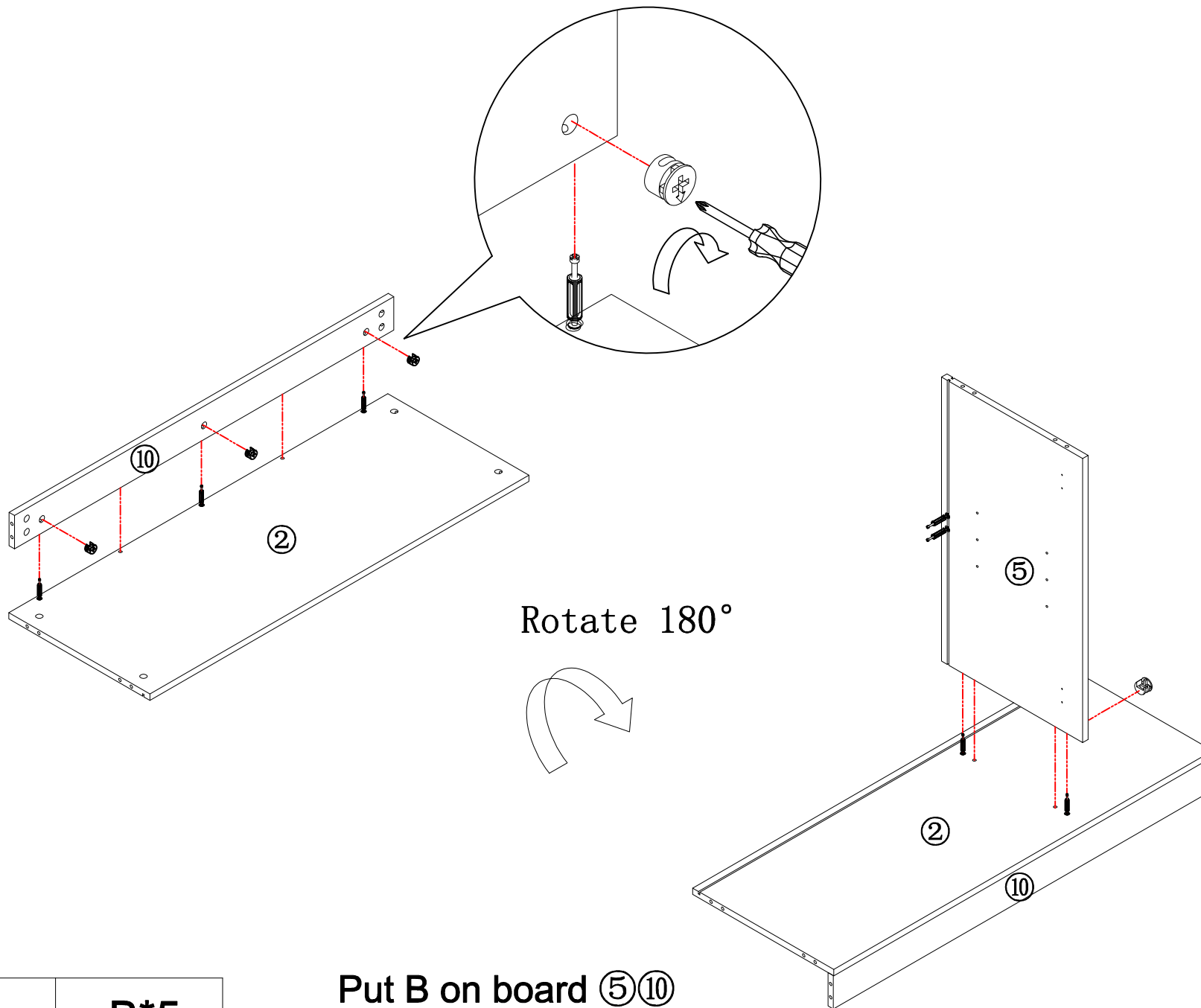


Put C on board ⑩

	C*2
	H*12
	J*3
	K*6
	L*6

4

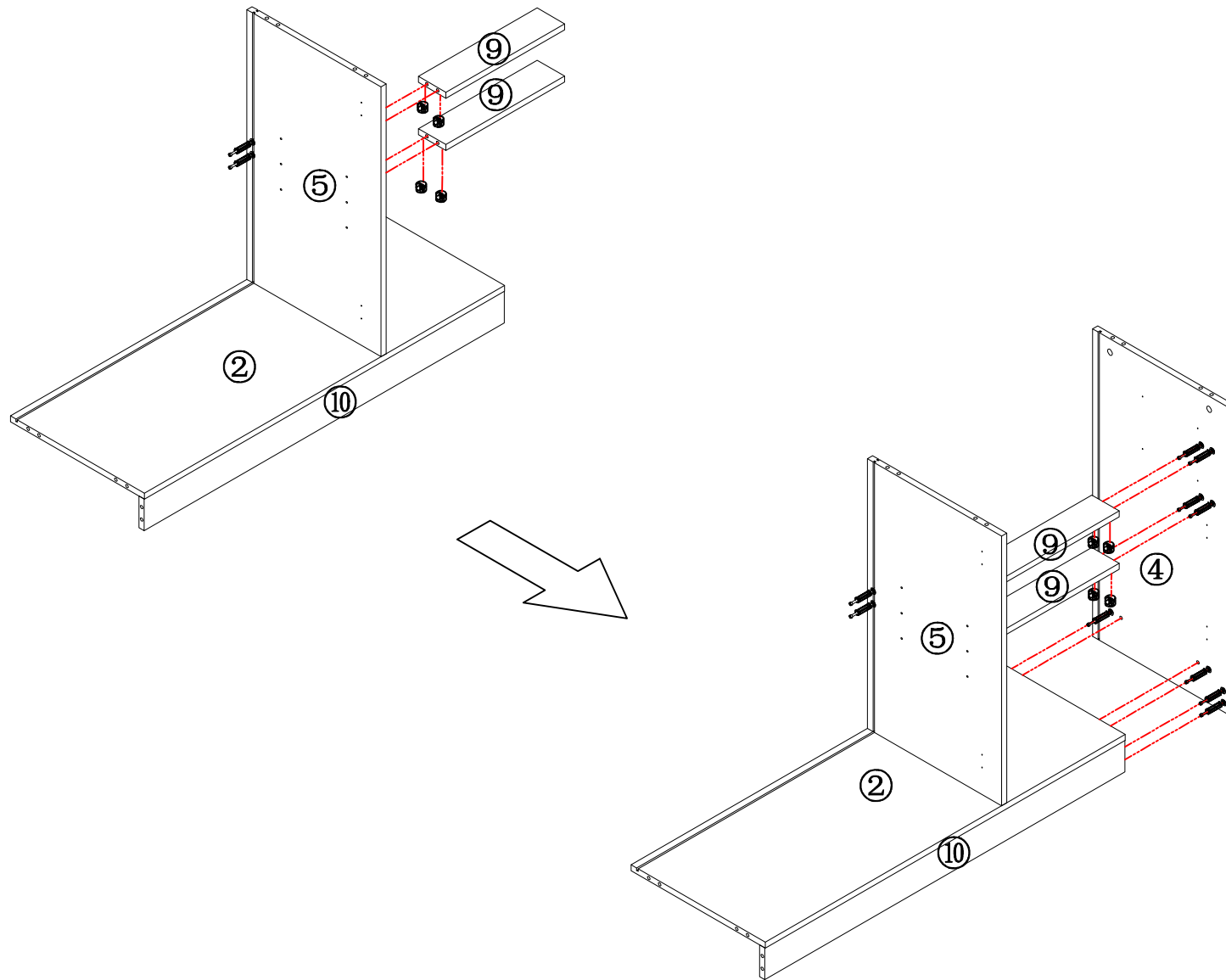
Make sure the arrow on the screw align to the hole on the side



B*5

Put B on board (5)(10)

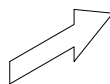
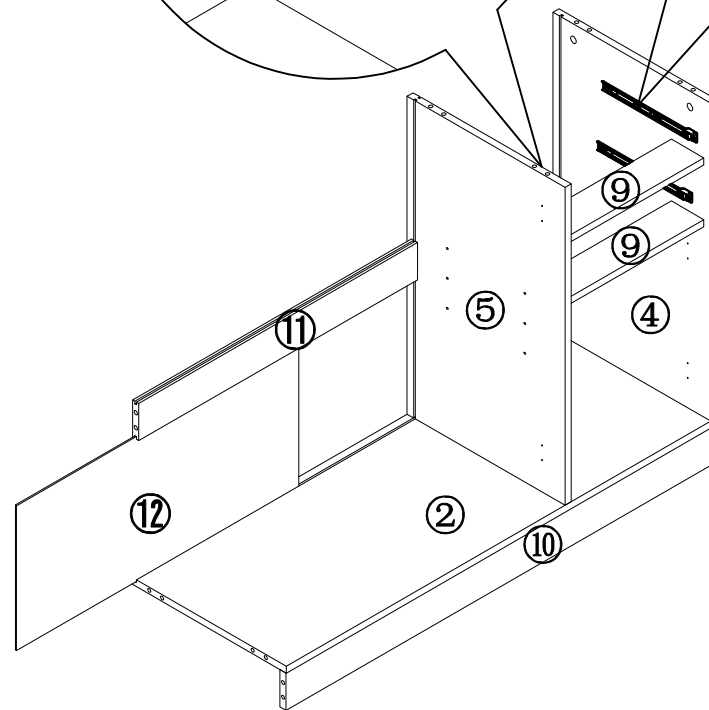
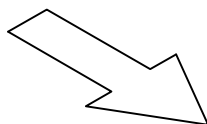
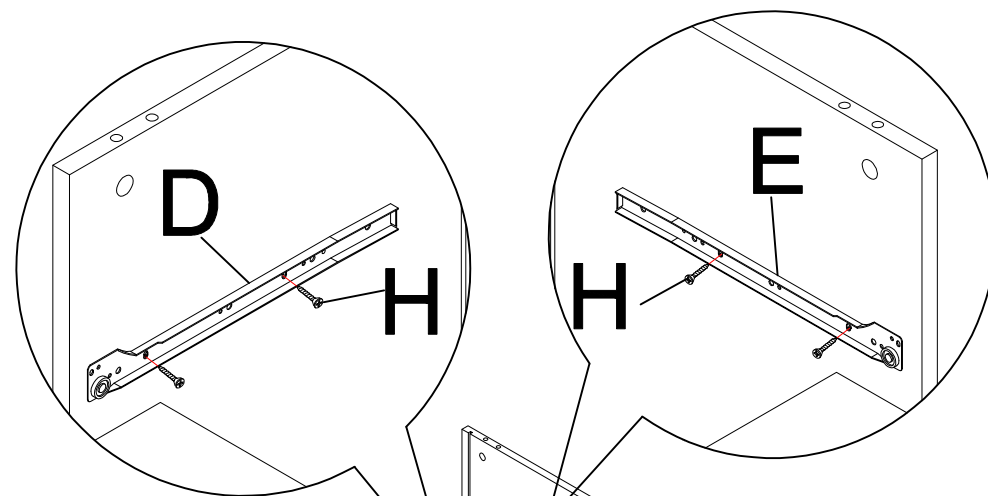
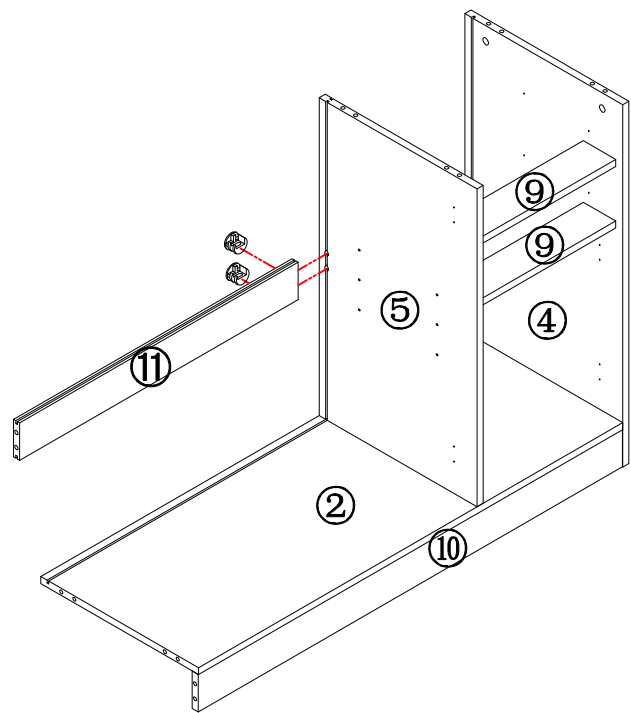
5



Put B on board ②⑨⑩



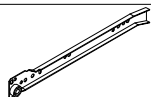
B*12



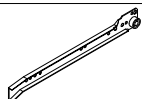
Put B on board ⑪



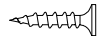
B*2



D*2

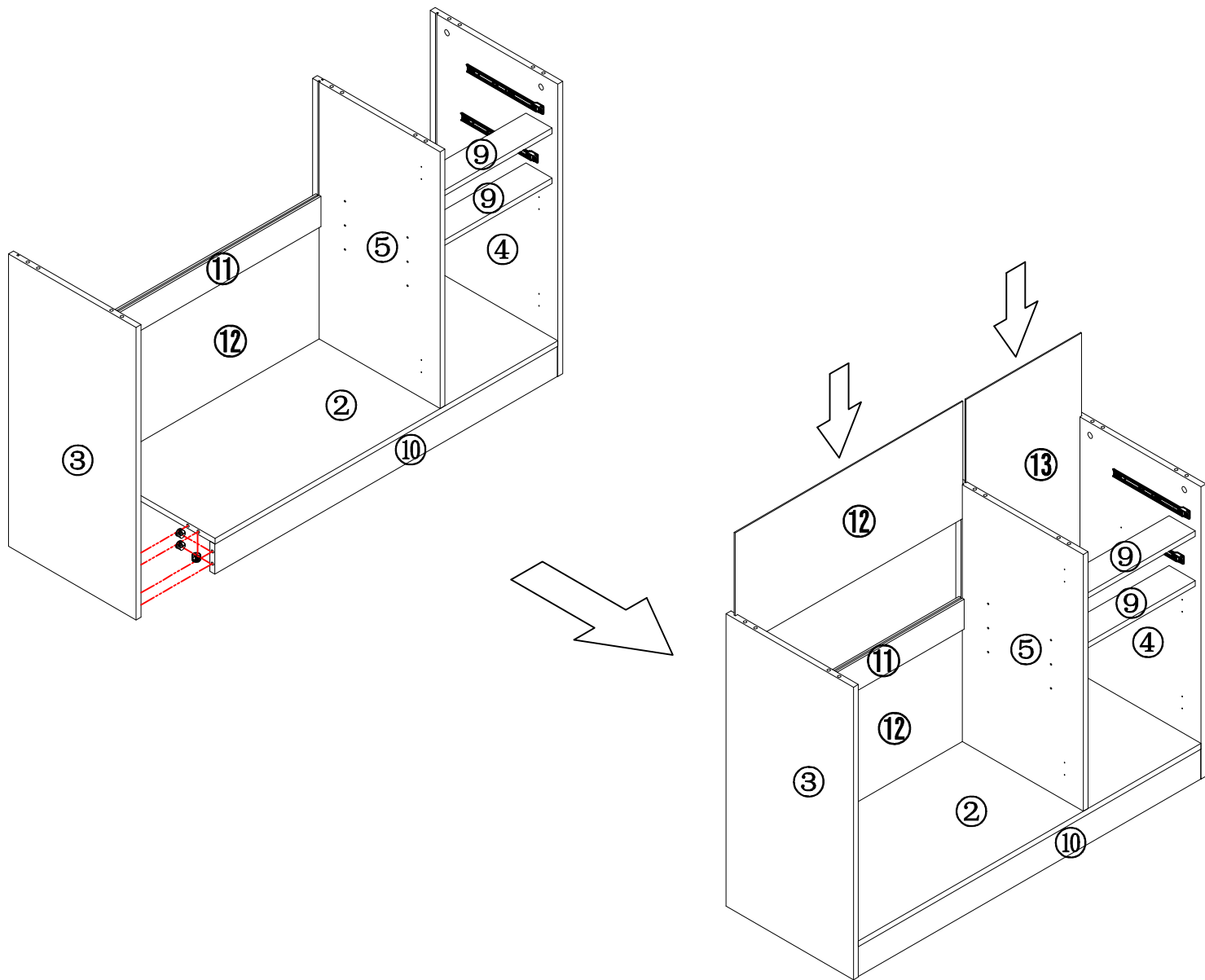


E*2



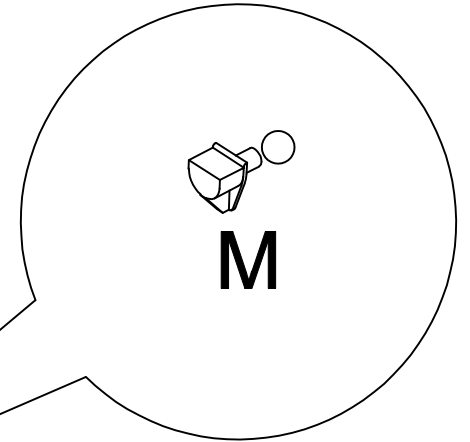
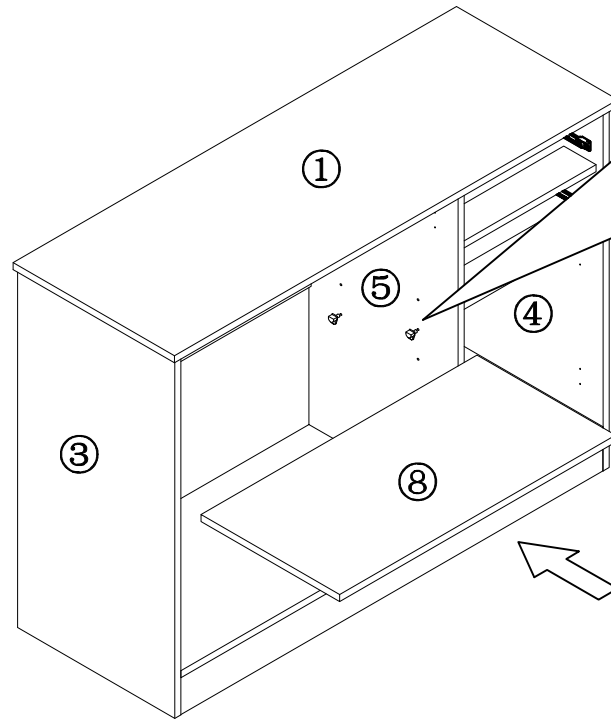
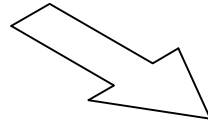
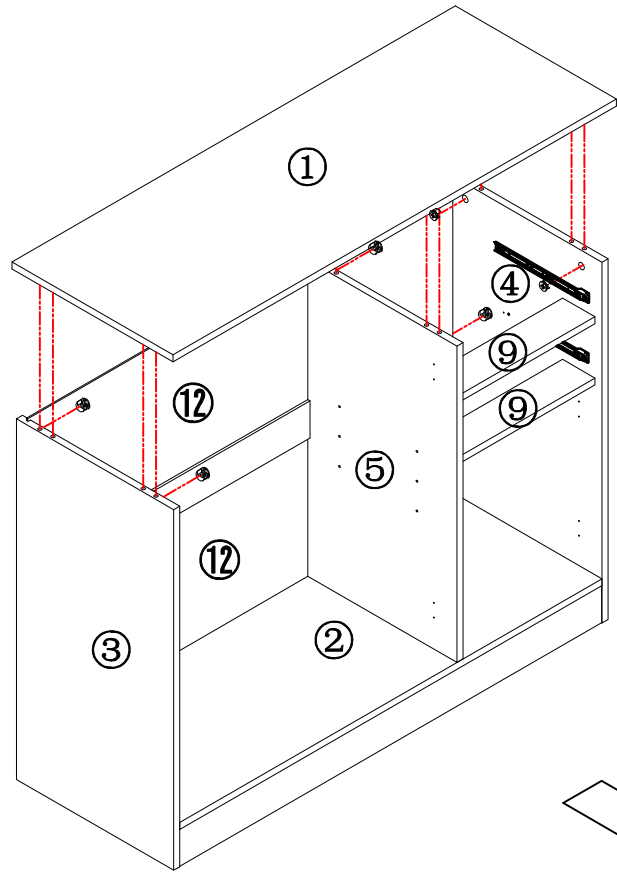
H*8

7



B*6

Put B on board ②⑩⑪

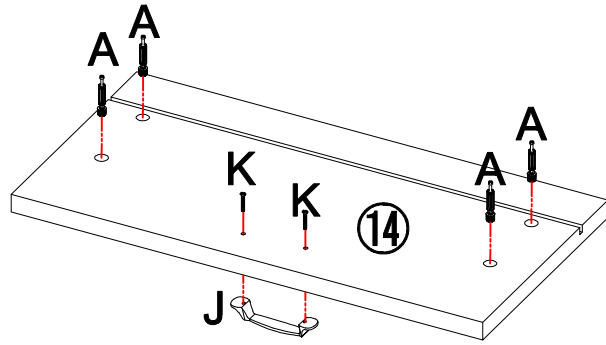


B*6

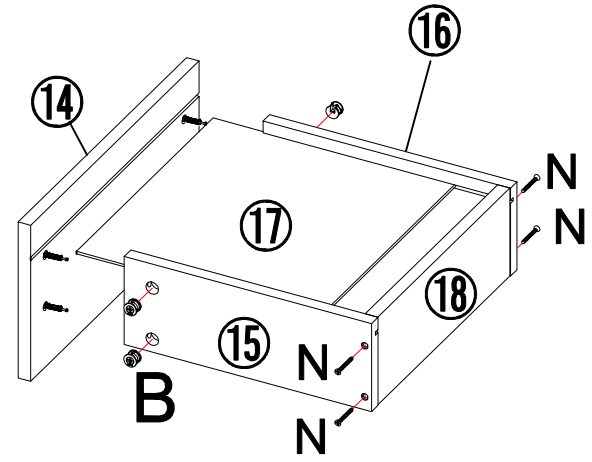
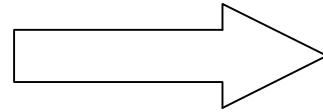


M*4

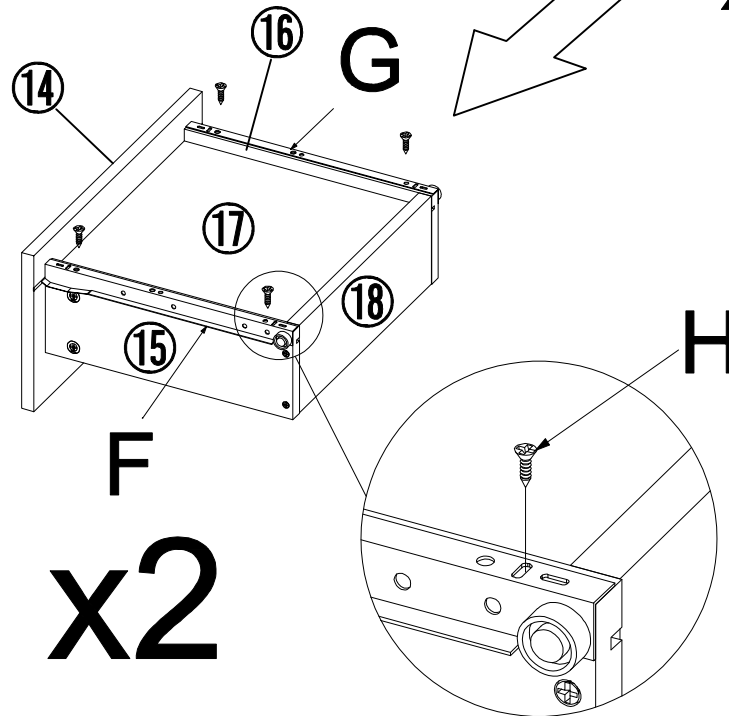
Put B on board ③④⑤





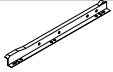
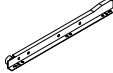
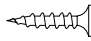


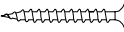
x2



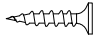
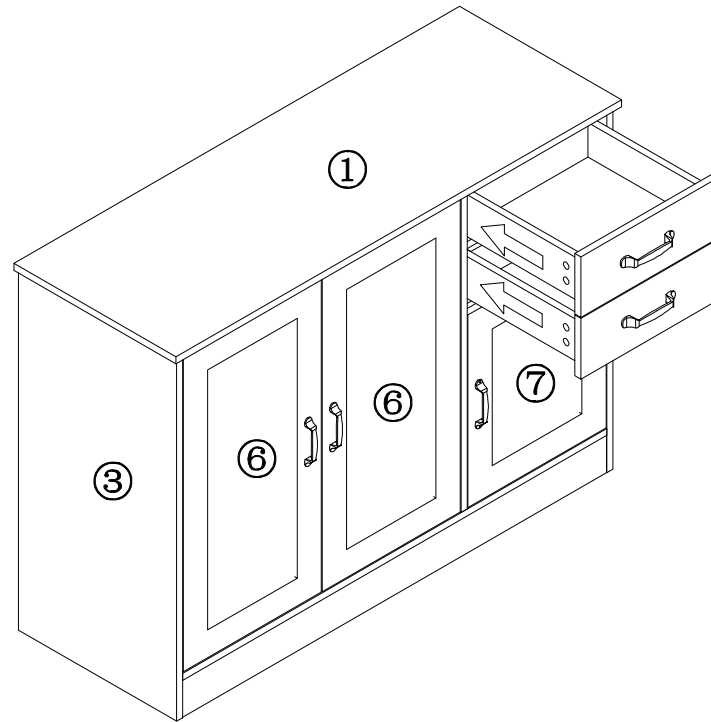
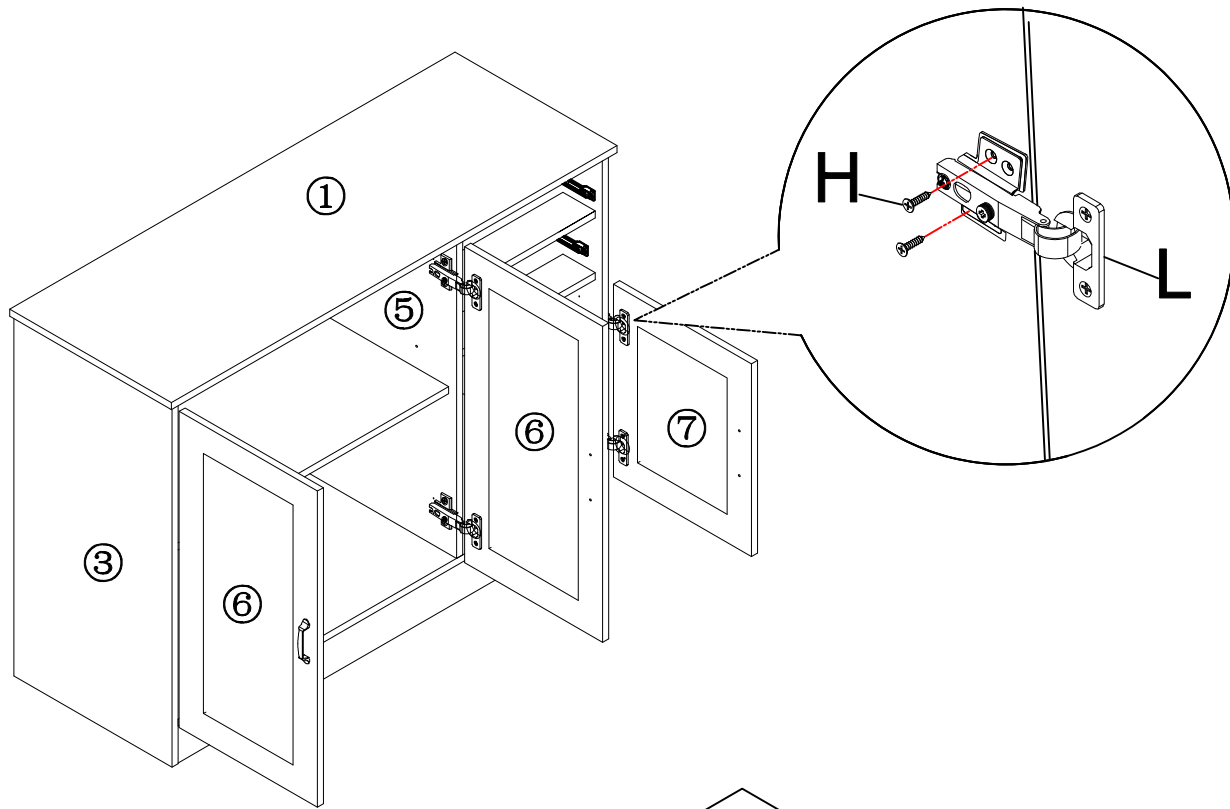
x2



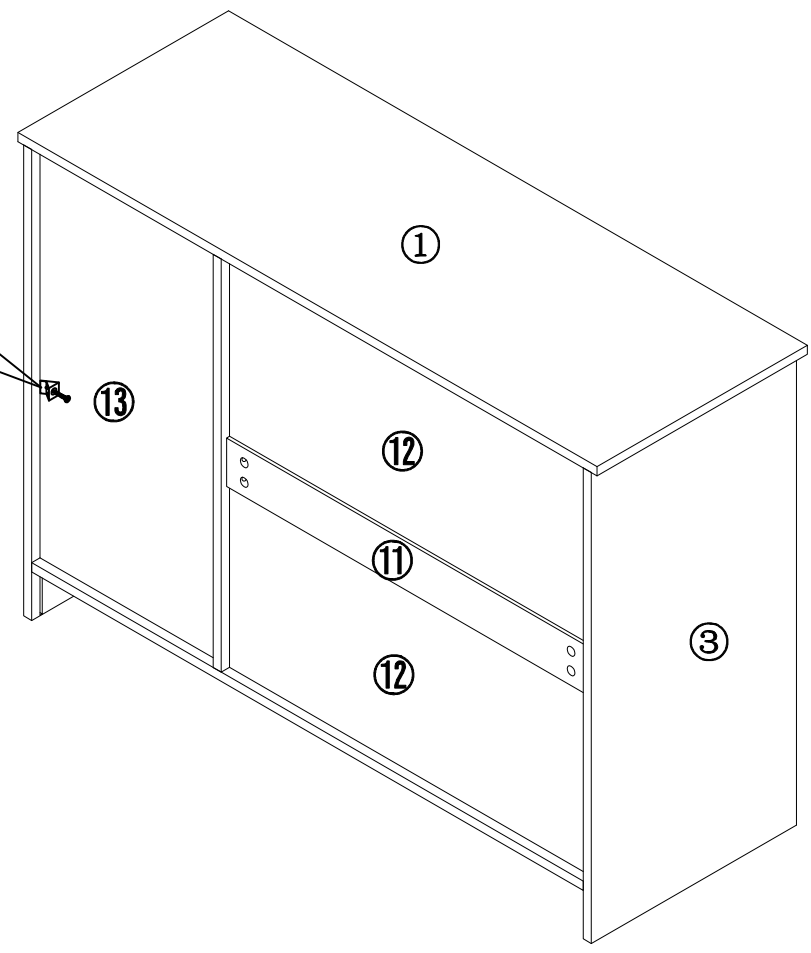
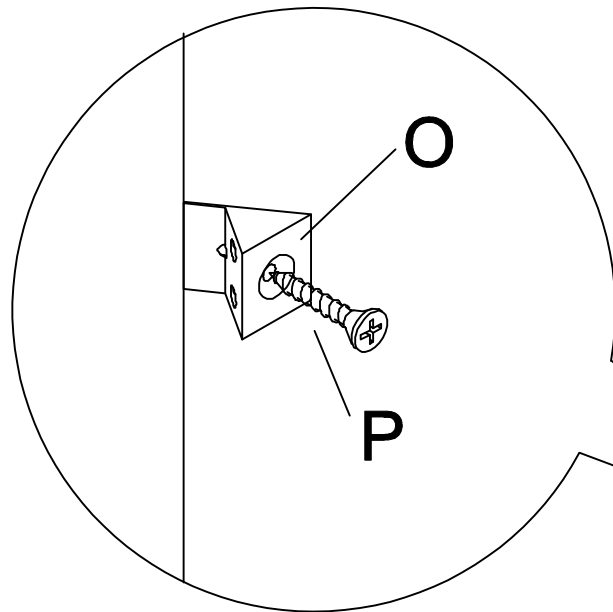
x2

	A*8
	B*8
	F*2
	G*2
	H*8
	J*2
	K*4
	N*8

10



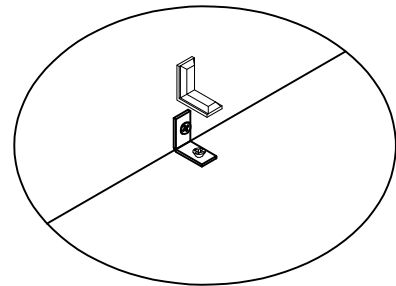
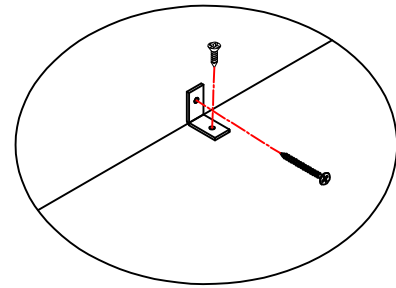
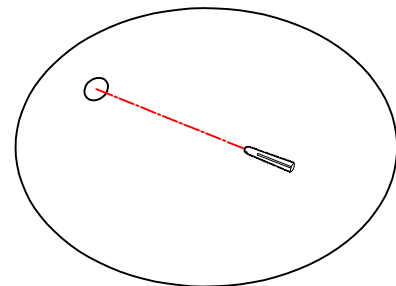
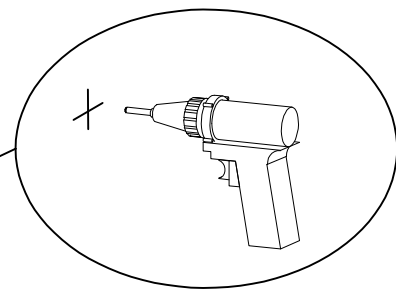
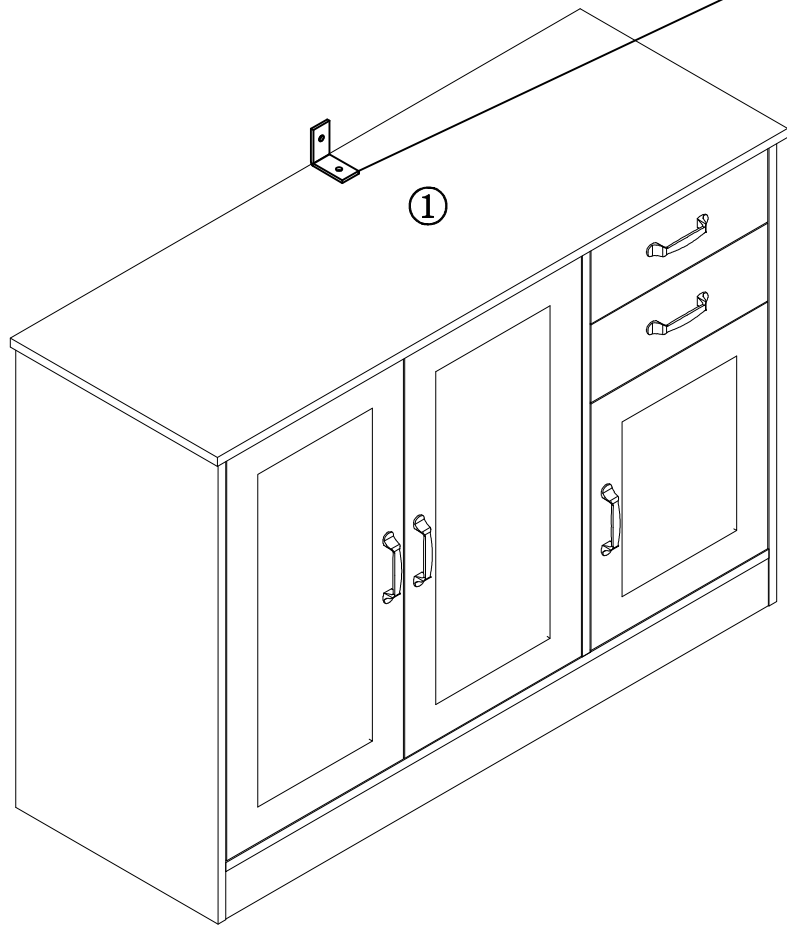
H*24



O*16



P*16



Q*1

END

