

WARNING!

Children have died from furniture tipover. Fixed wall device have been included with this product;you must install the fixed wall device according to these instructions in order to minimize the risk of furniture.If you have any questions about this product or the Fixed wall device , please contact us immediately.

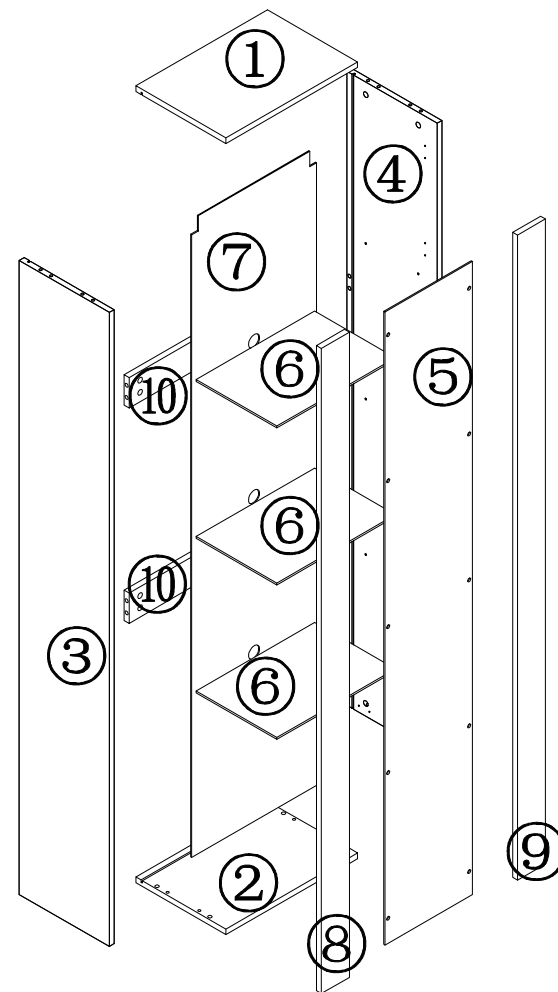
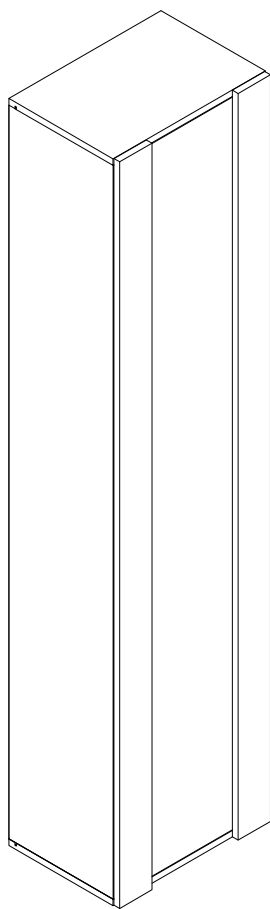
Never allow children to climb or hang on furniture,including drawers or cabiner doors.

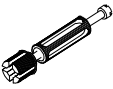
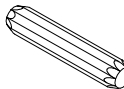
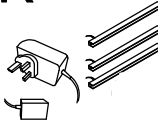
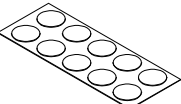


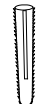
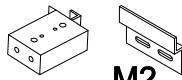
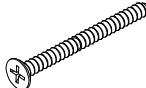
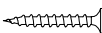

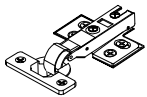
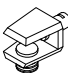
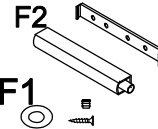
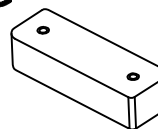
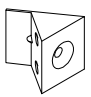

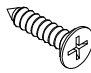
In addition to installing the restrains,to help prevent tip-over.

1. Never put a TV or other heavy objects on top of this product.
2. Do not stand on the product.

⚠ WARNING	
	<p>Children have died from furniture tipover. To reduce the risk of furniture tipover:</p> <ul style="list-style-type: none">• ALWAYS install tipover restraint provided.• NEVER put a TV on this product.• NEVER allow children to stand, climb or hang on drawers, doors, or shelves.• NEVER open more than one drawer at a time.• Place heaviest items in the lowest drawers.• Do not defeat or remove the drawer interlock system.
	<p><i>This is a permanent label. Do not remove!</i></p>

ZBJMY2208123



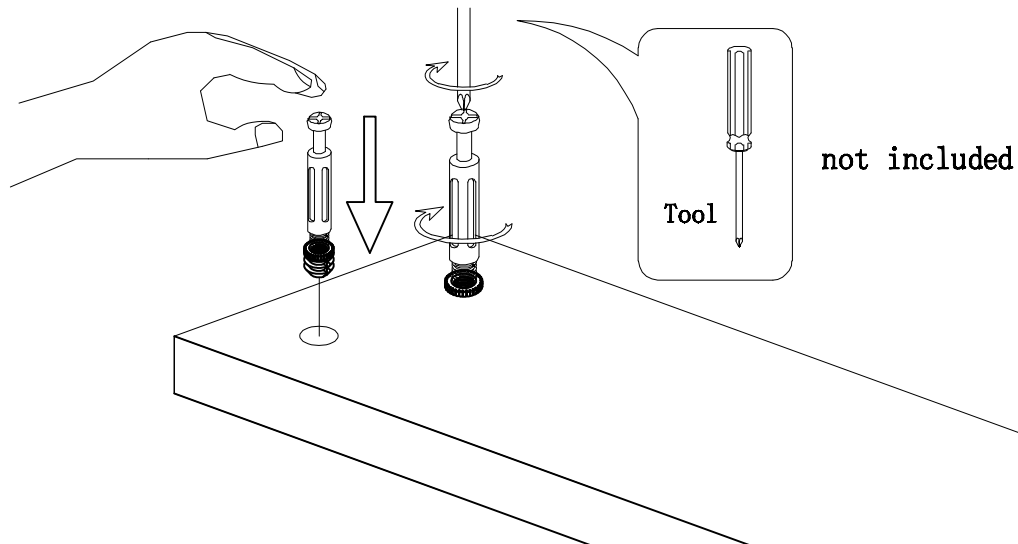
A  16PCS	B 8*40  8PCS	R  1PCS	Q  8PCS	P 6*10  10PCS	O  1PCS	N 8*40  4PCS	M  M1 2PCS M2	L 4*50  4PCS	K 3.5*25  12PCS
C  16PCS	D  4PCS	E  12PCS	F F3 F2 F1  1PCS	G  4PCS	H  10PCS	I 3*12  10PCS	J 3.5*14  26PCS		



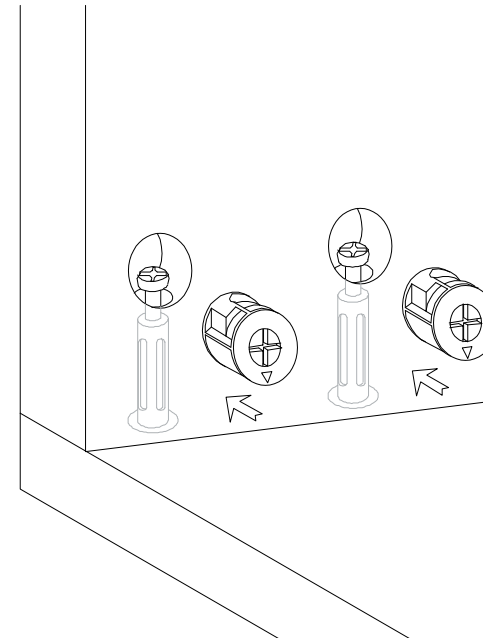
Hardware installation demonstration

NOTE: Please make sure "A" hardware tightened and can't be pulled out!

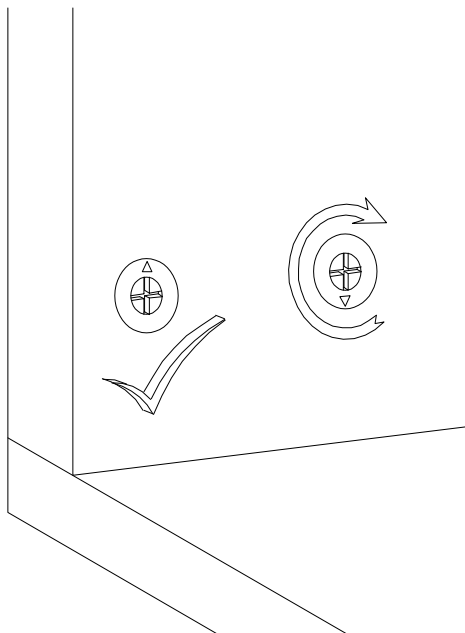
I



II



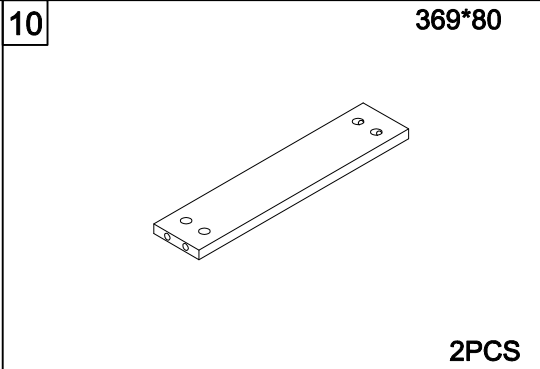
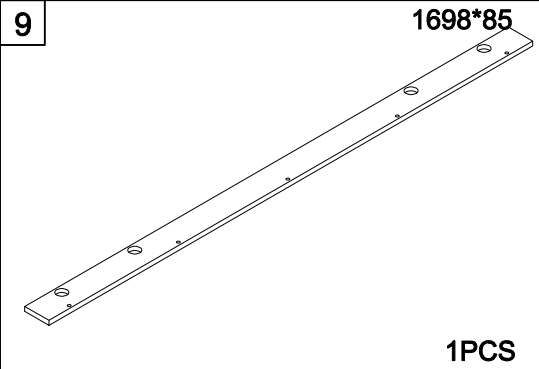
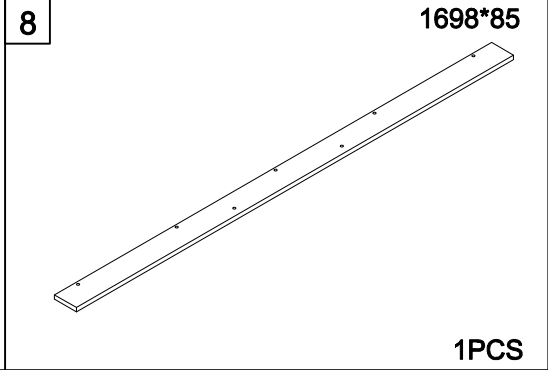
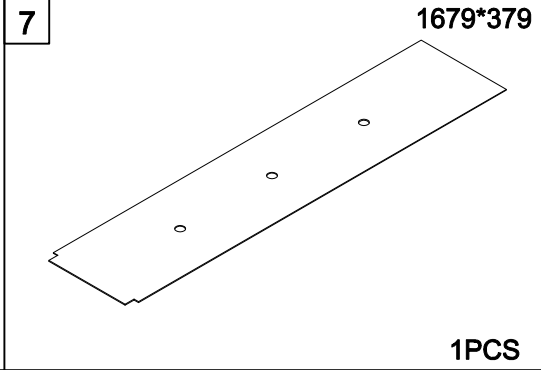
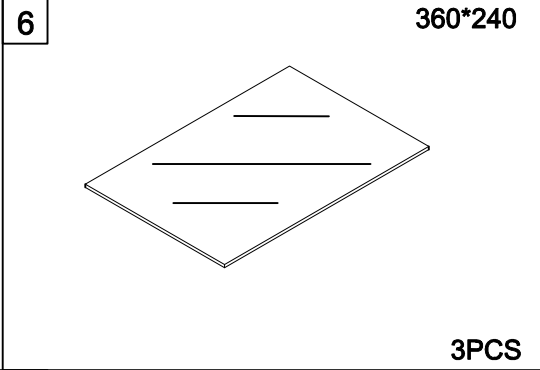
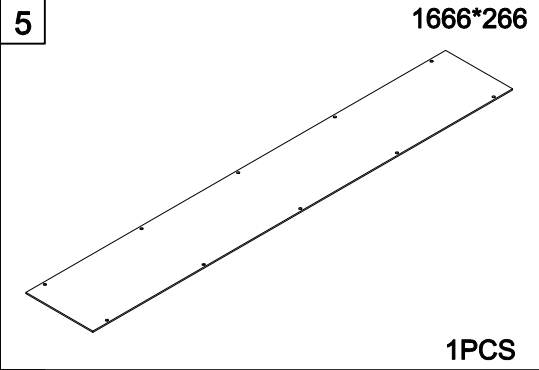
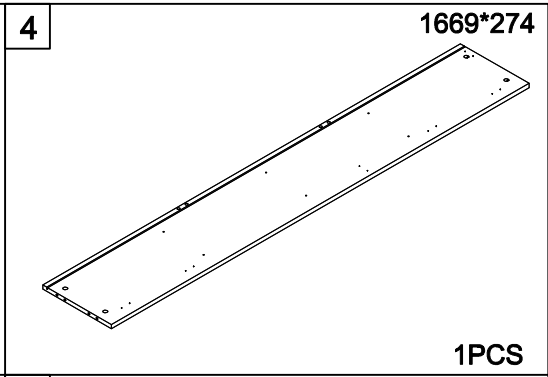
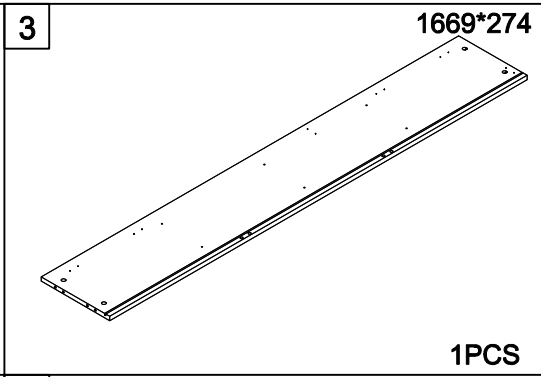
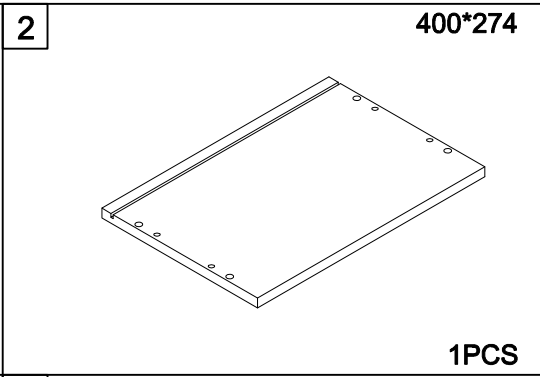
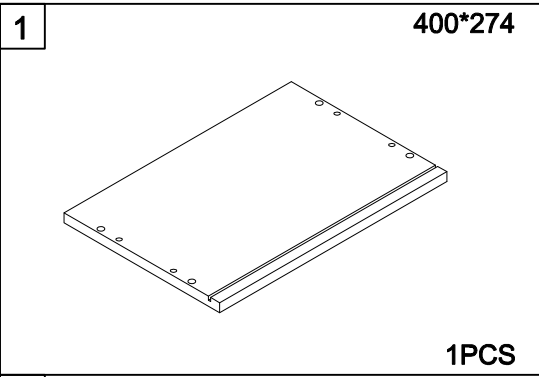
III



IV

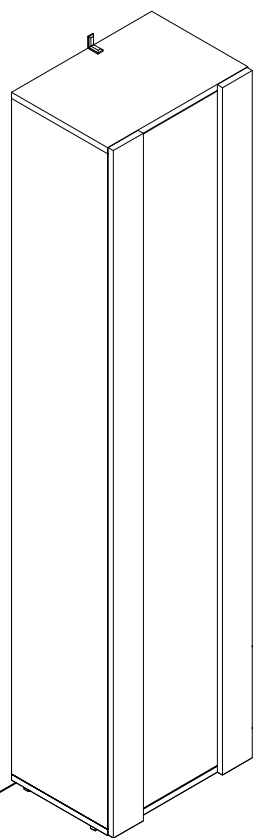


Scan QR code for assembly video



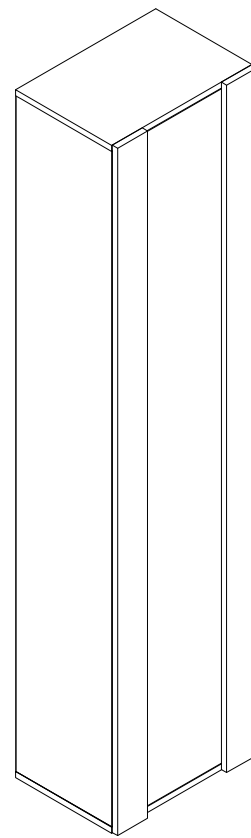
WALL

AA



WALL

AB



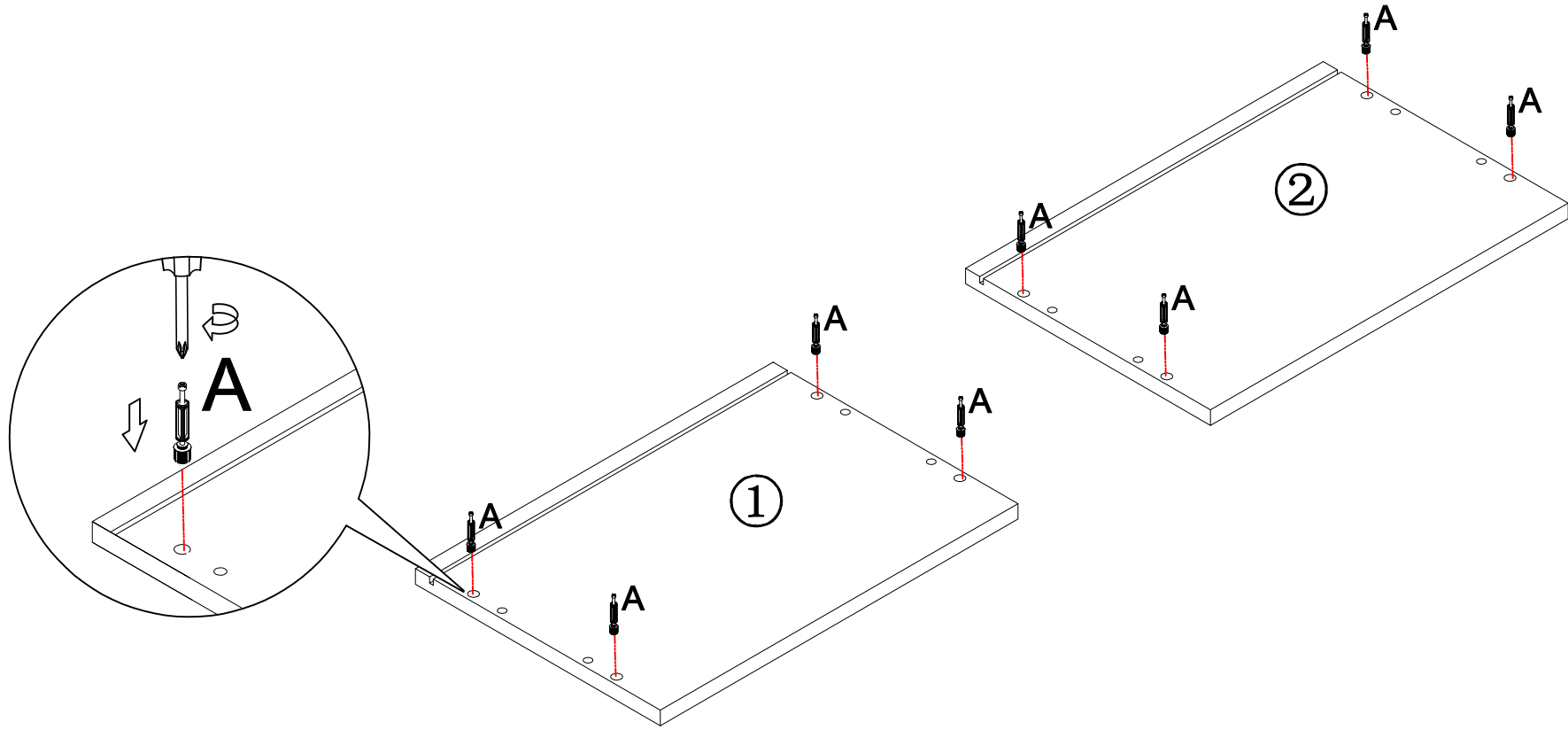
AA:On the floor

If you want to put the cabinet on the floor, please assemble to step 14.

AB:Mount on the wall

If you want to mount the cabinet on the wall, please skip step 2&14 and then assemble to end as original manual.

1

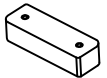
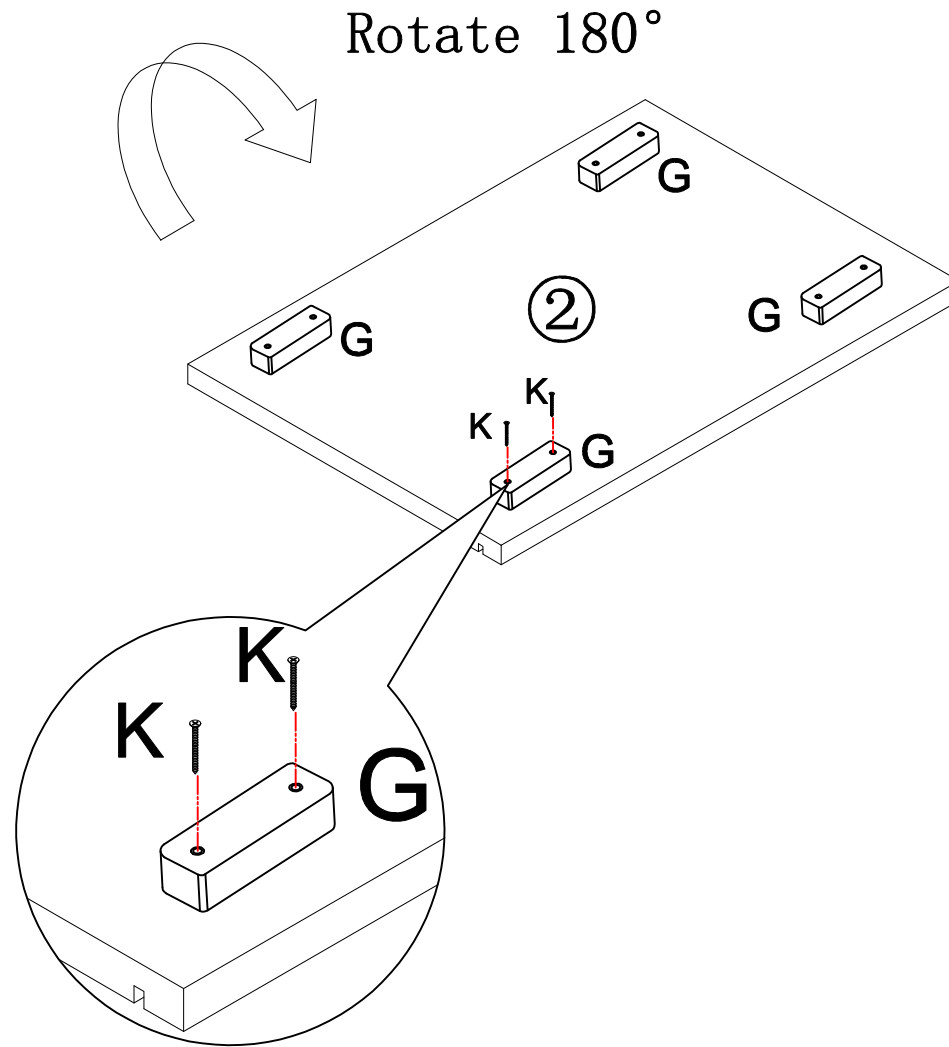


Put A on board ①②

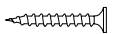


A*8

2



G*4

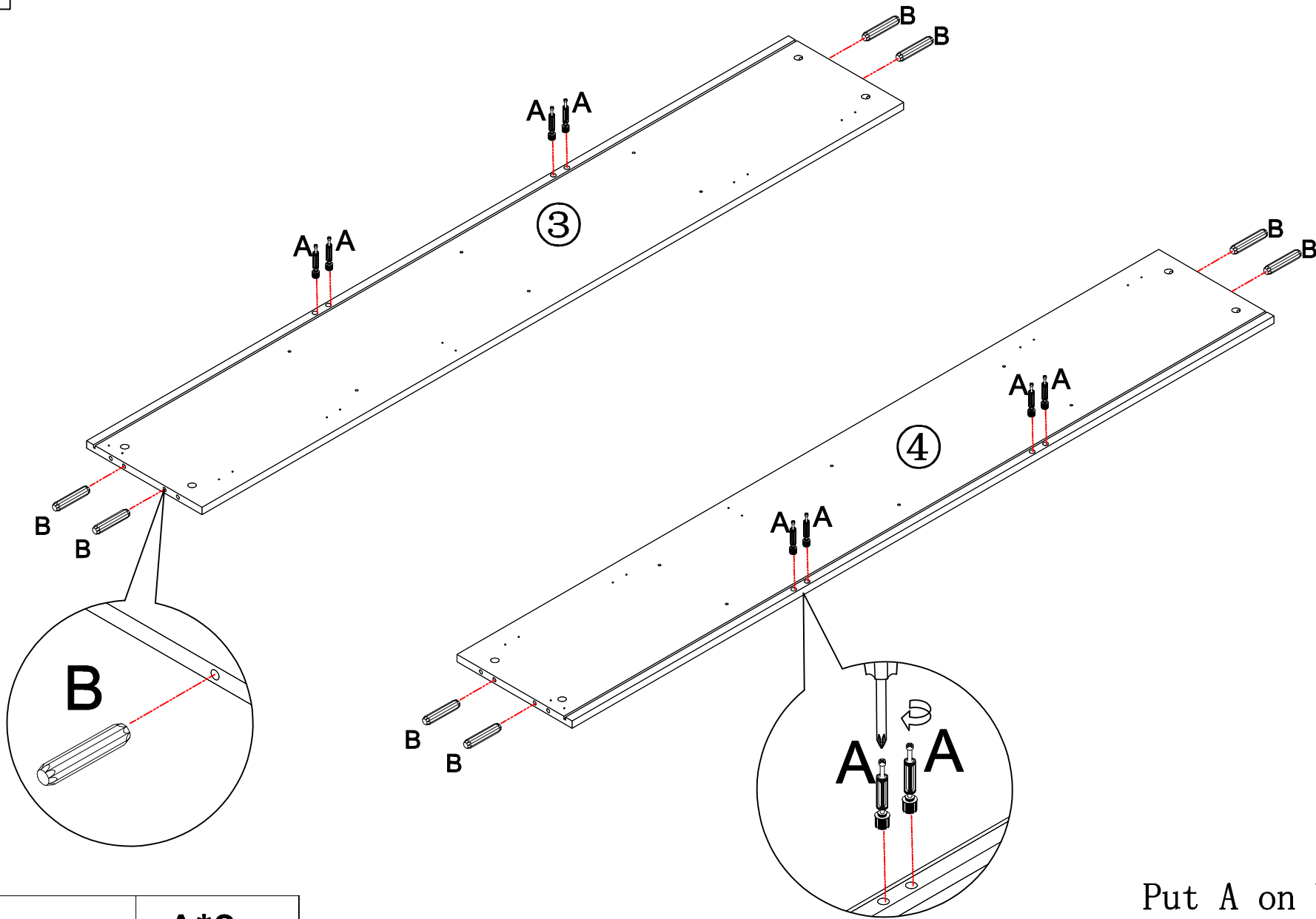


K*8

Put G on board ②

Put K on board ②

3



A*8

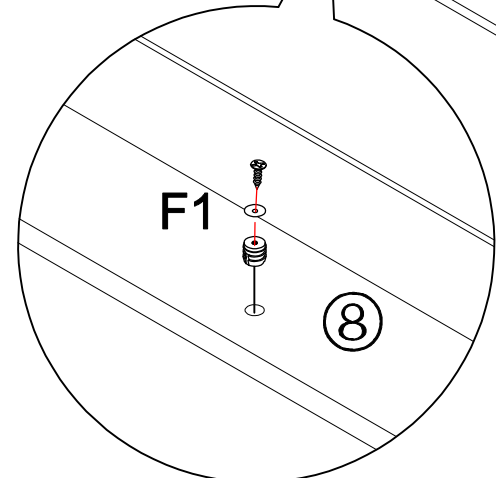
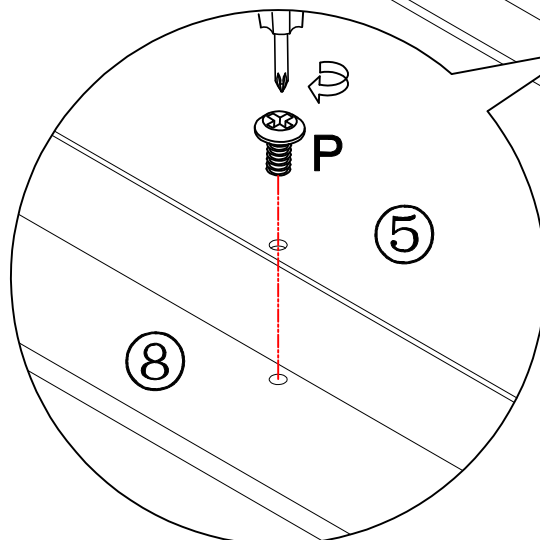
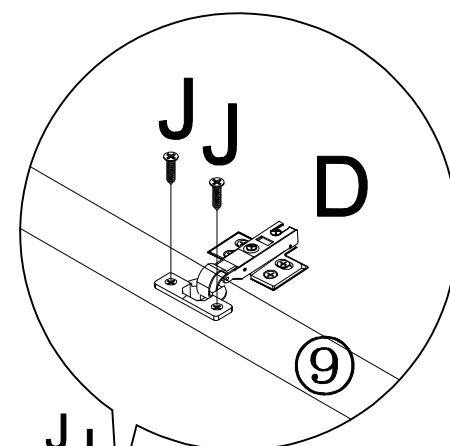
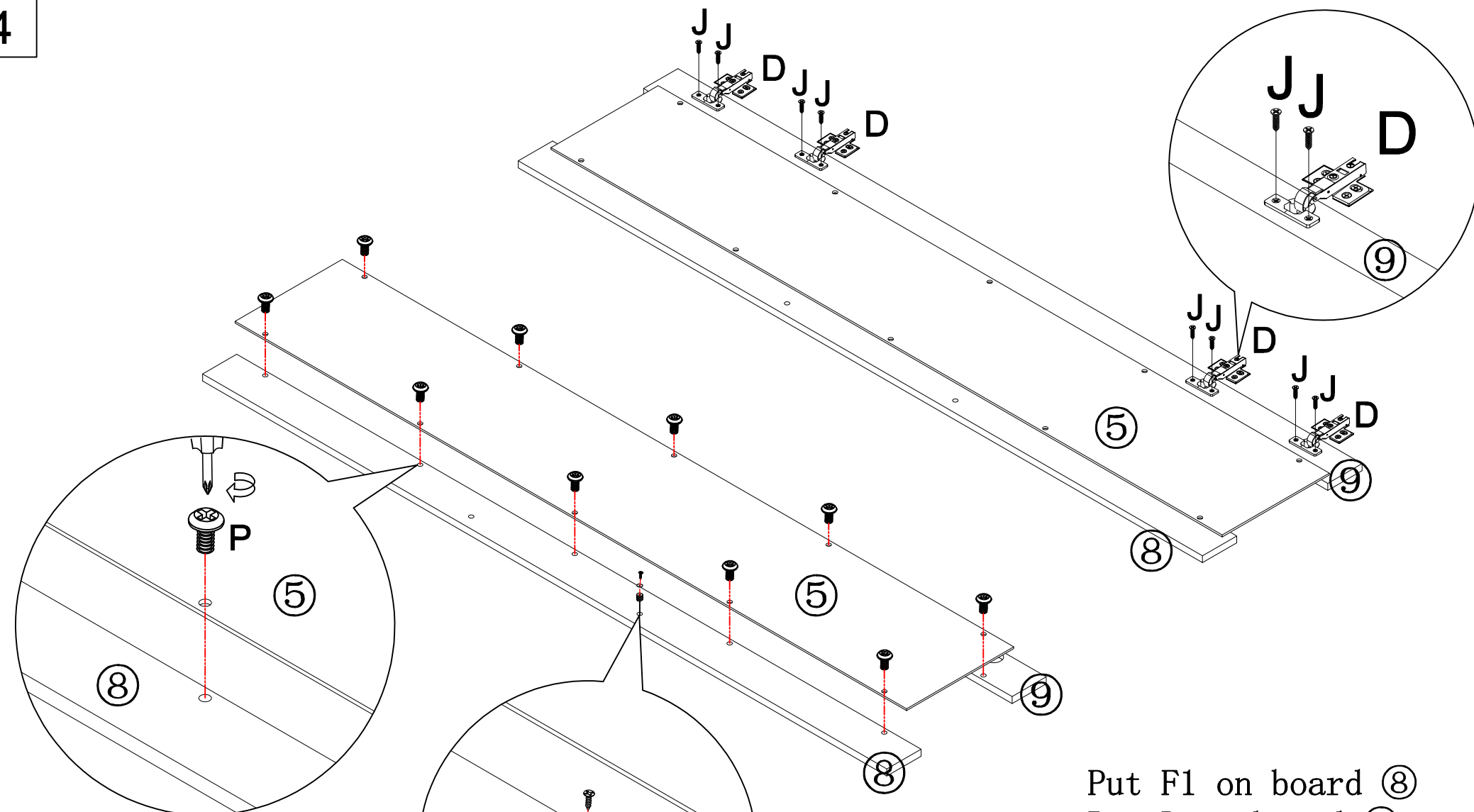


B*8

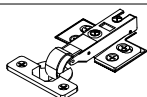


Put A on board ③④


Put B on board ③④

4



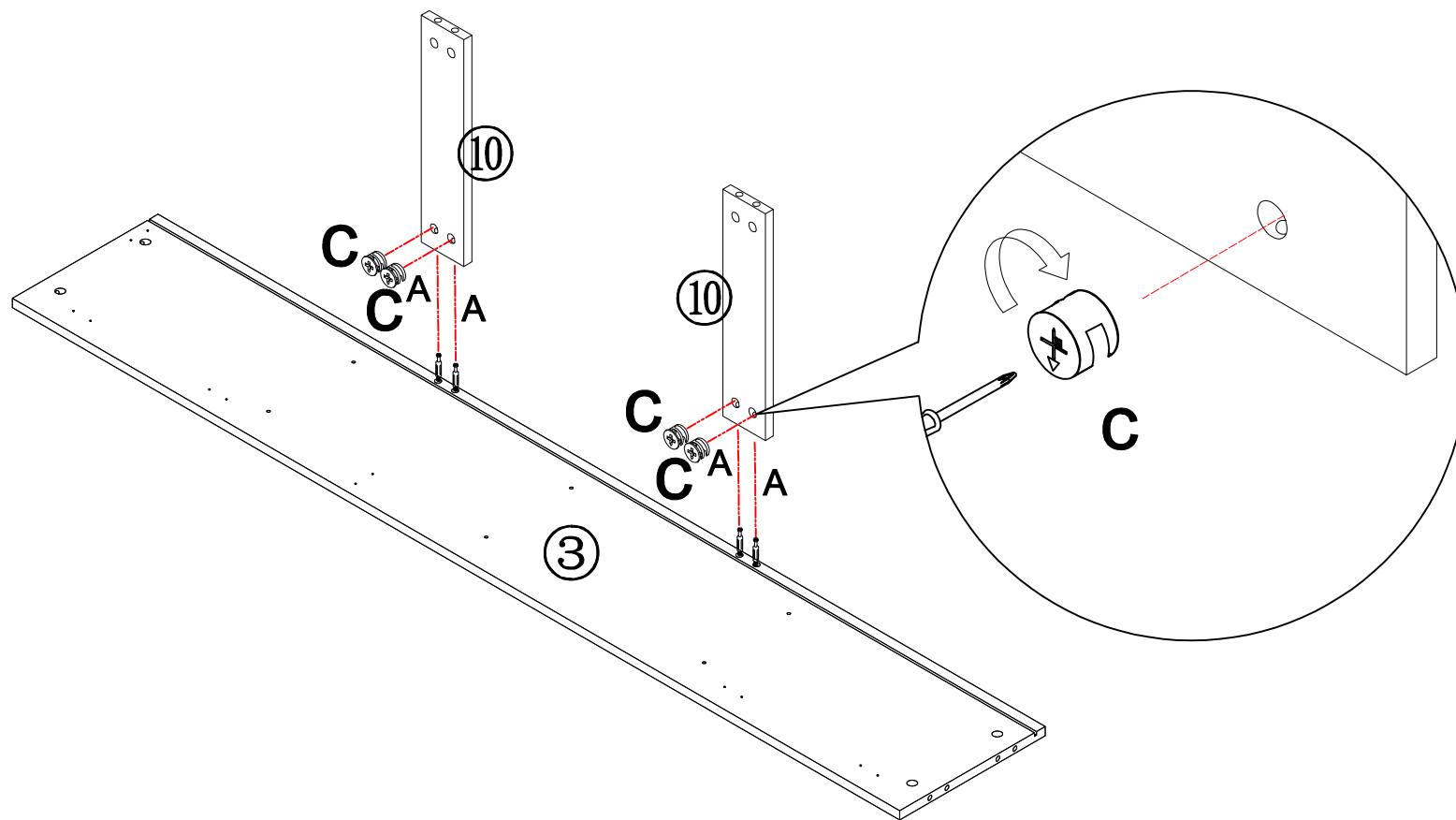
Put F1 on board ⑧
 Put D on board ⑨
 Put J on board ⑨
 Put P on board ⑤⑧⑨

	D*4
	J*8
	P*10

F1*1	
-------------	---

5

Make sure the arrow on the screw align to the hole on the side.

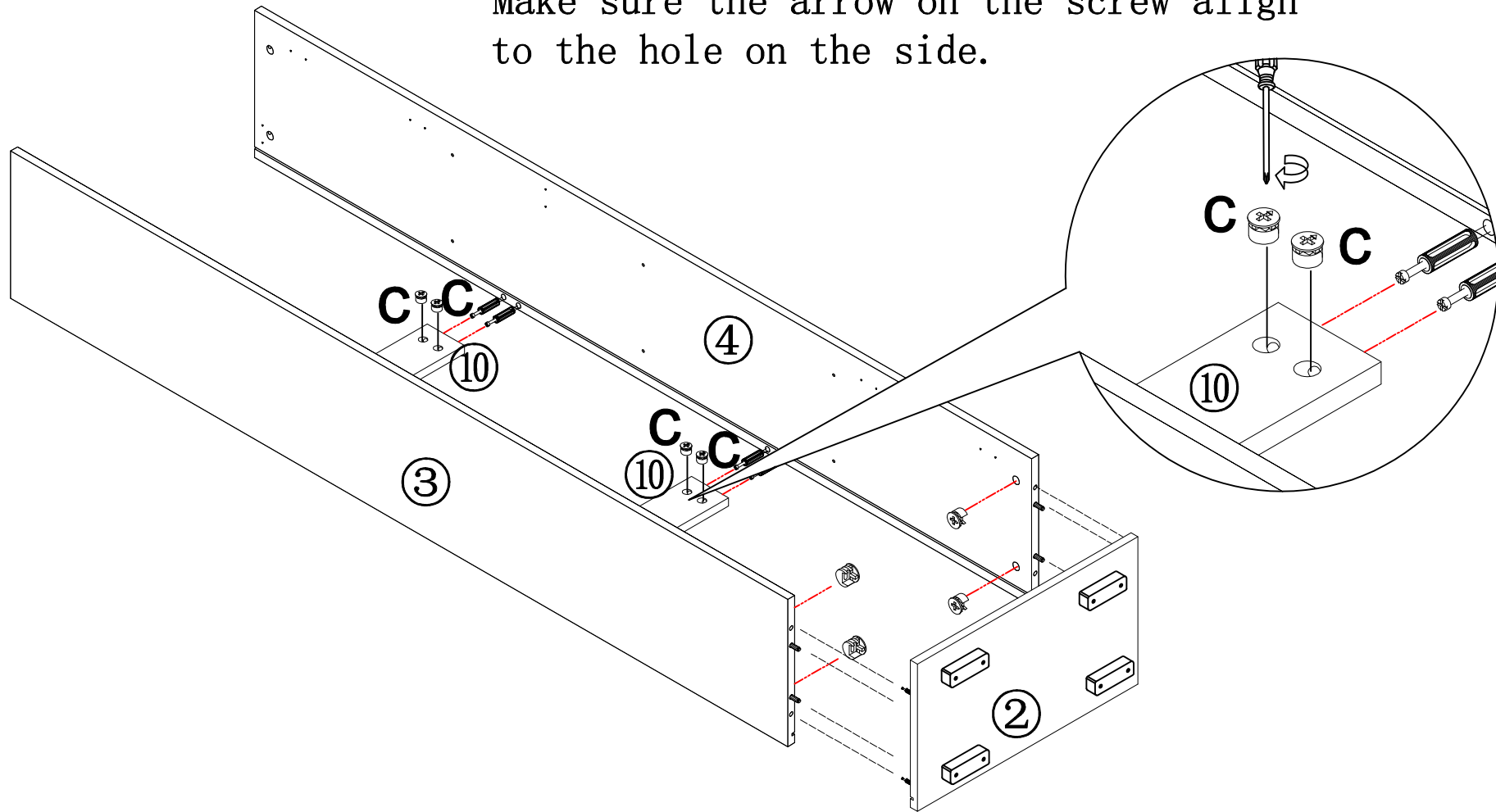


C*4

Put C on board ⑩

6

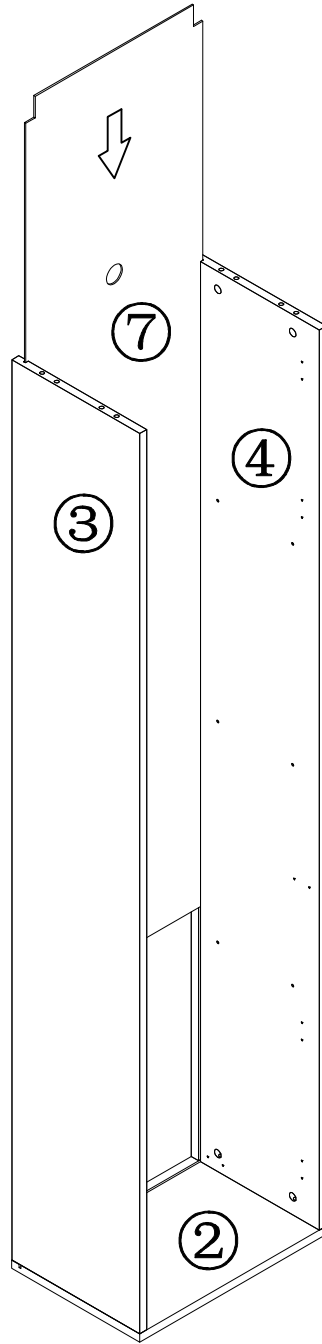
Make sure the arrow on the screw align to the hole on the side.



C*8

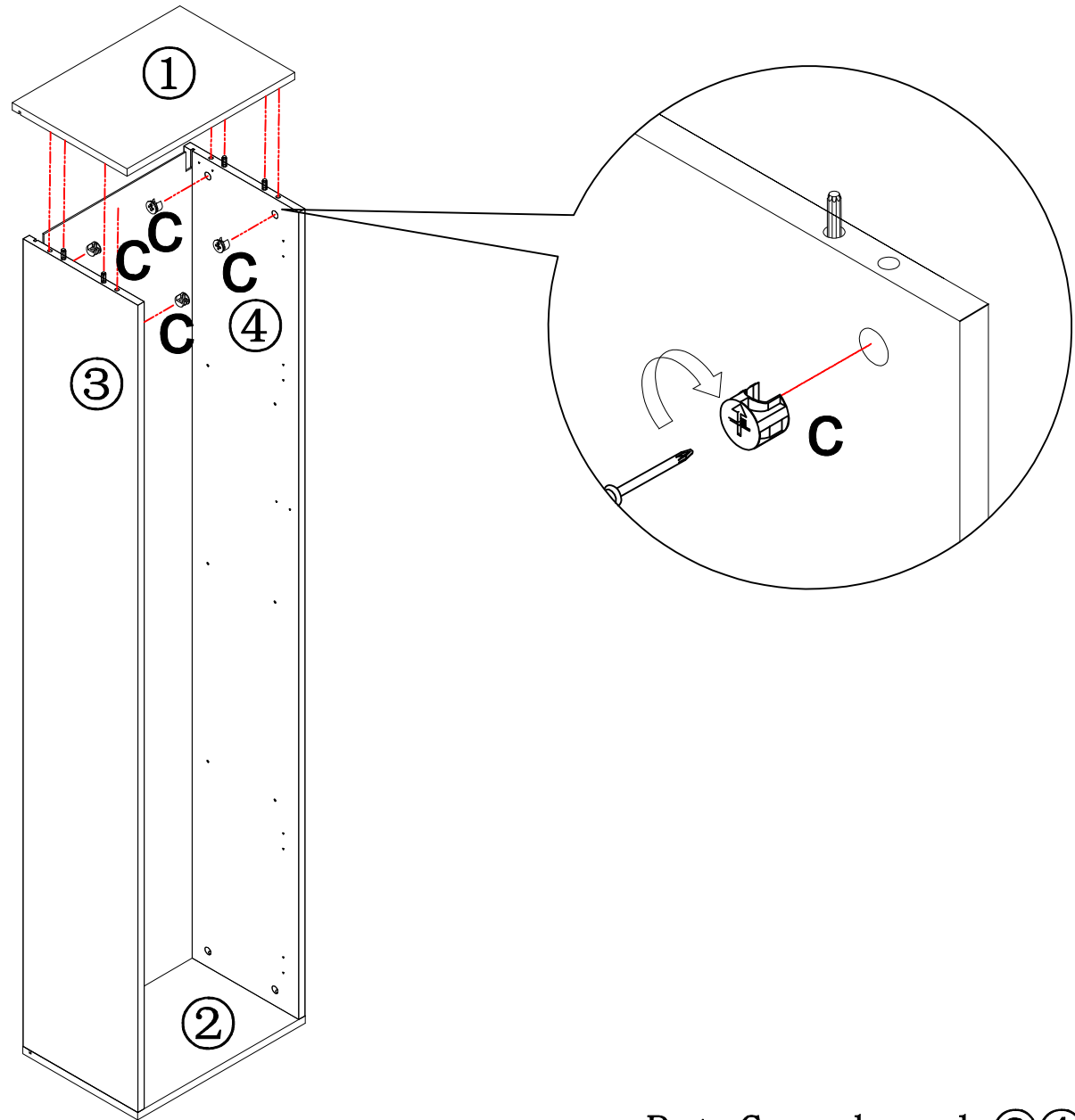
Put C on board ③④⑩

7



8

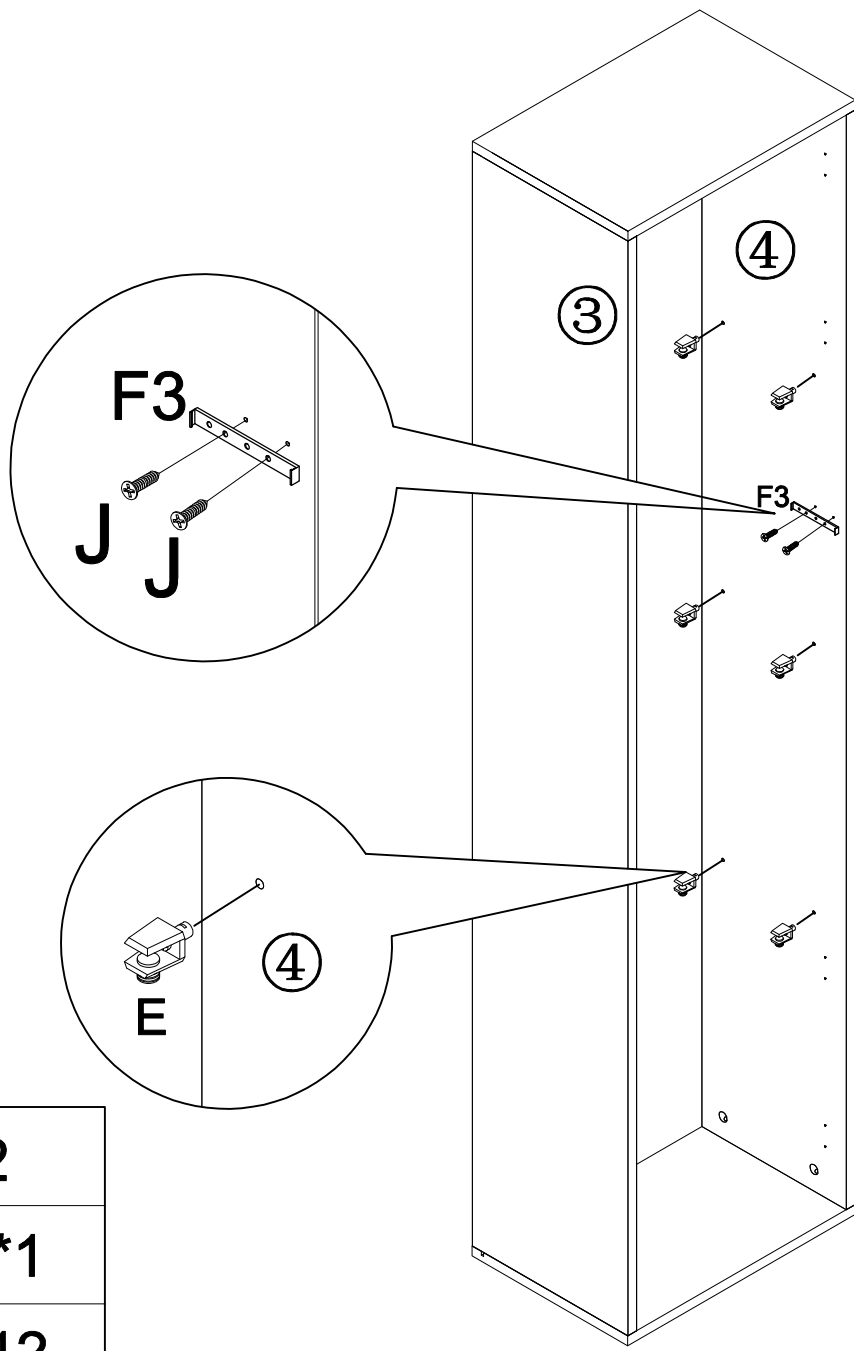
Make sure the arrow on the screw align to the hole on the side.


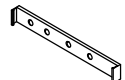



C*4

Put C on board ③④

9

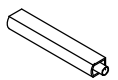
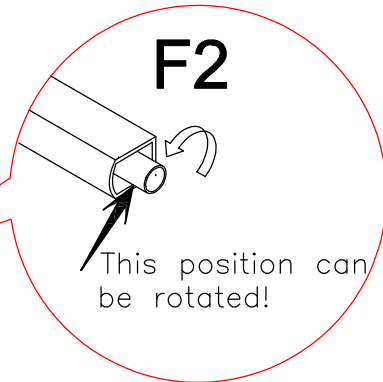
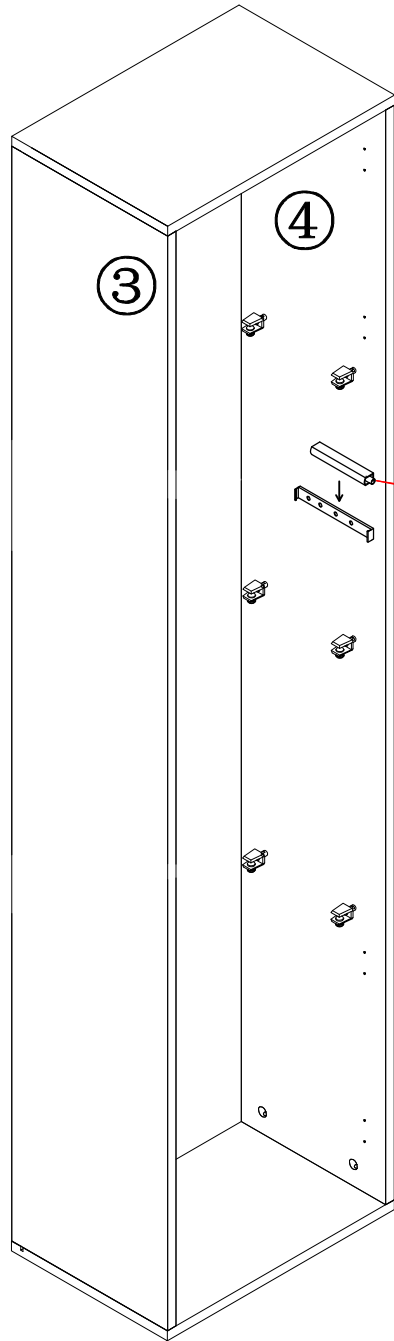


	J*2
	F3*1
	E*12

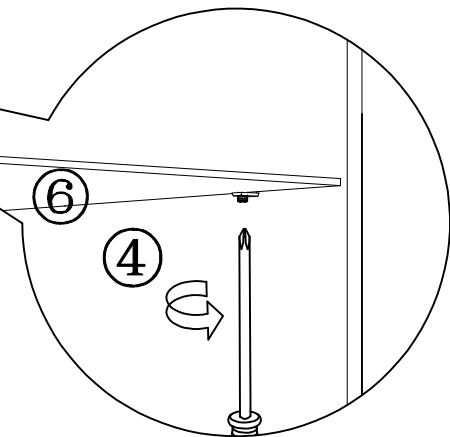
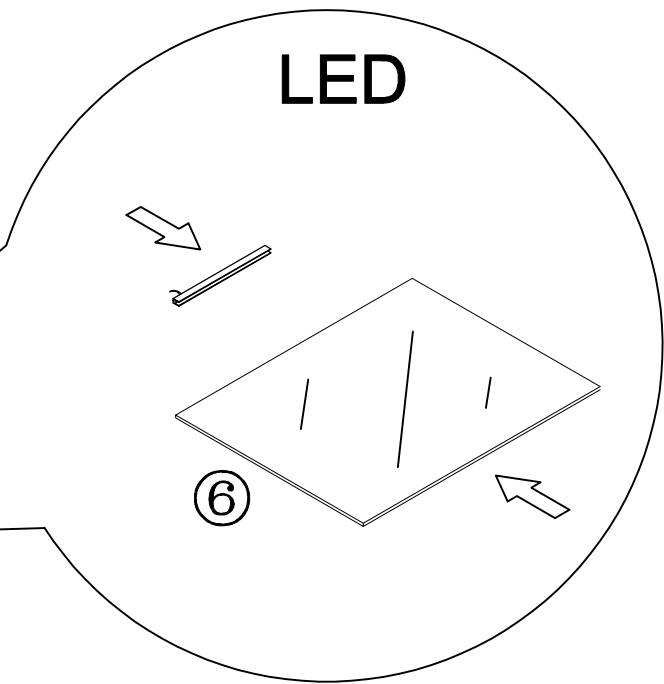
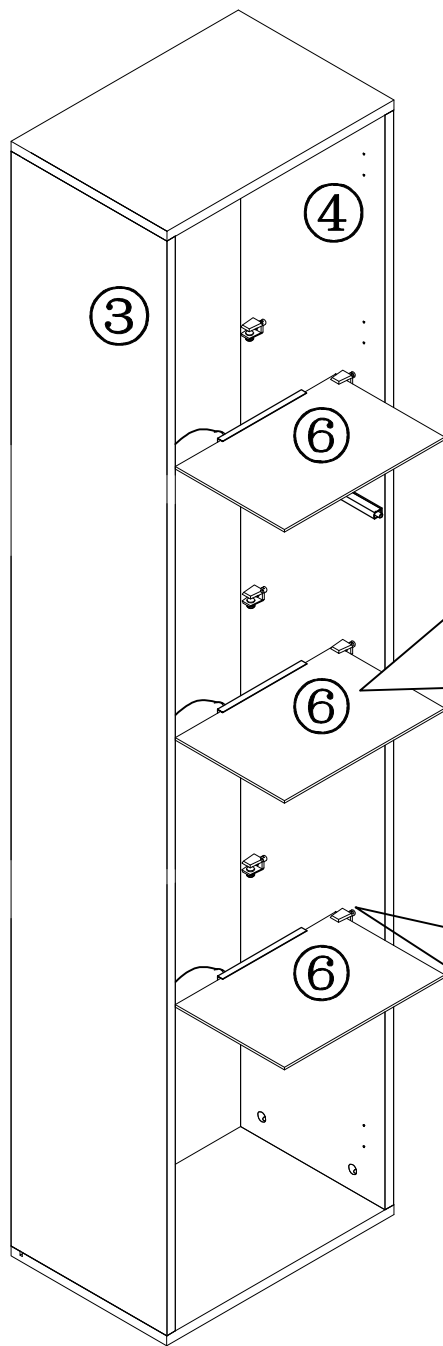
Put F3 on board ④

Put E on board ③④

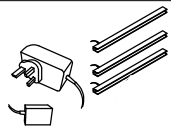
10



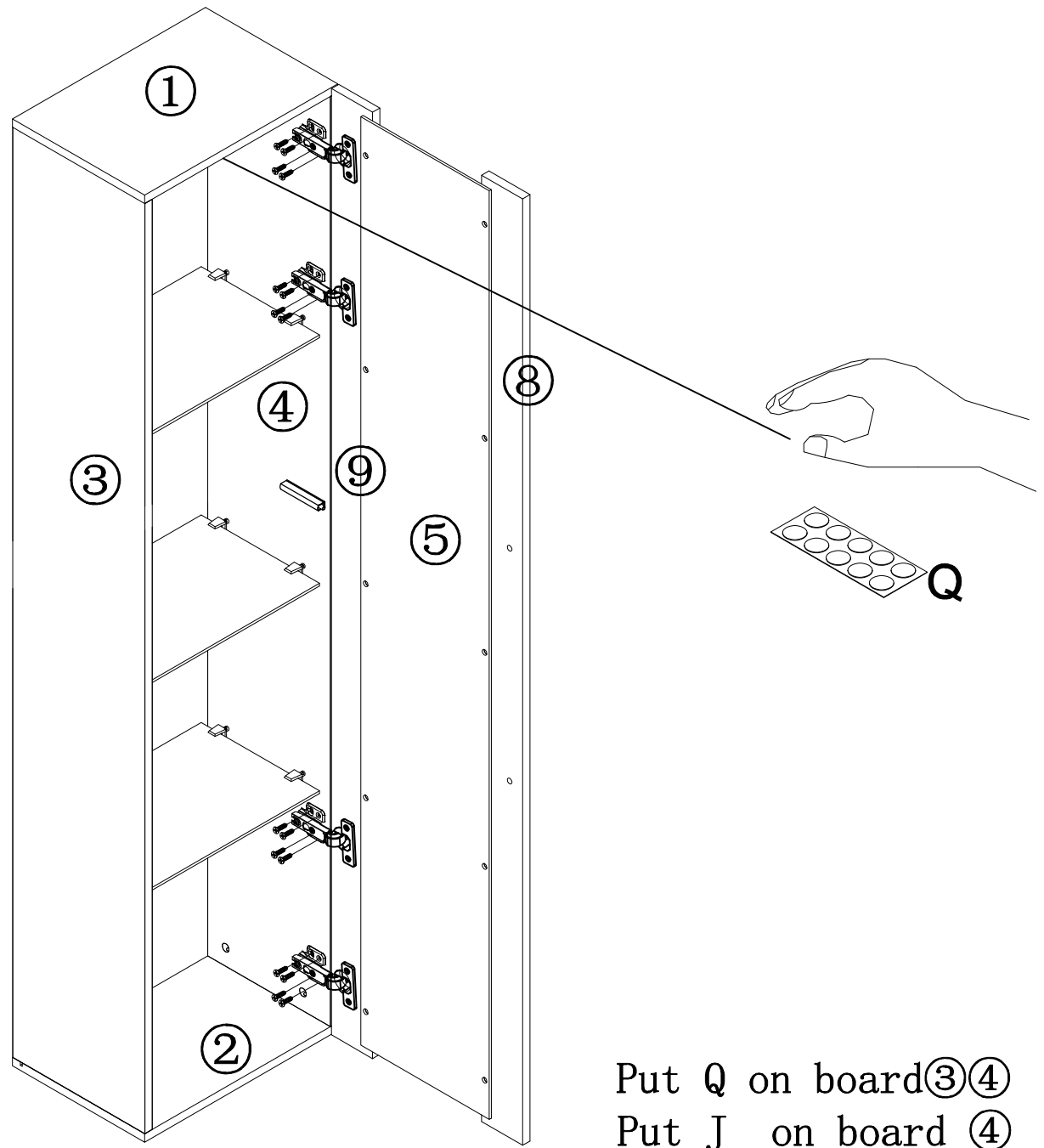
F2*1





Put R on board ⑥



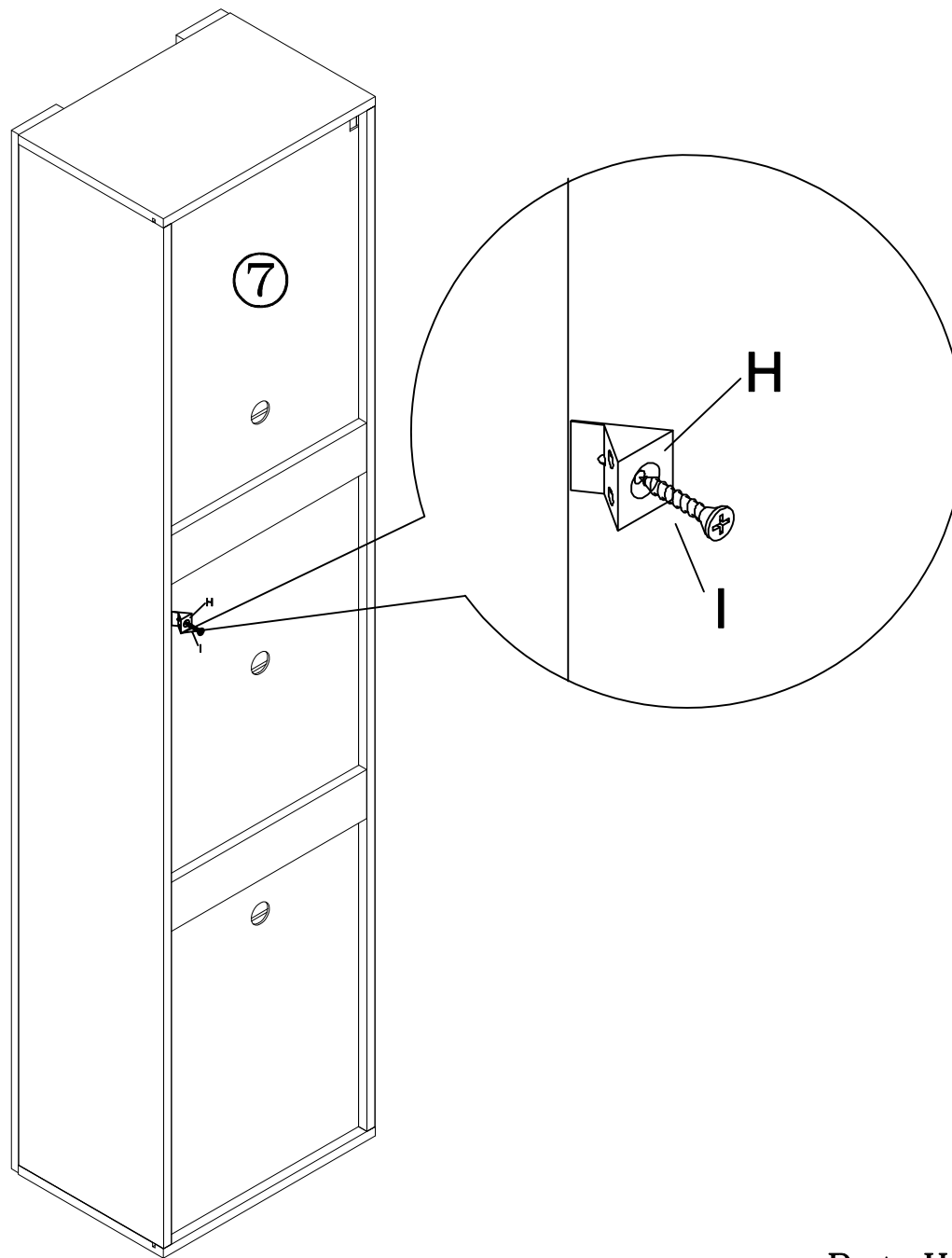
R*1



	Q*8
	J*16

Put Q on board③④
Put J on board ④

13



H*10



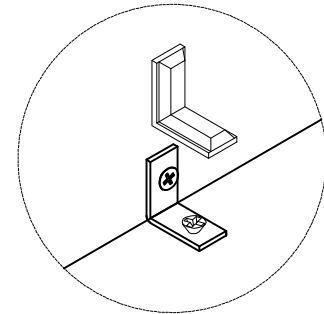
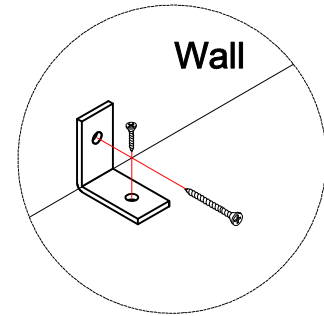
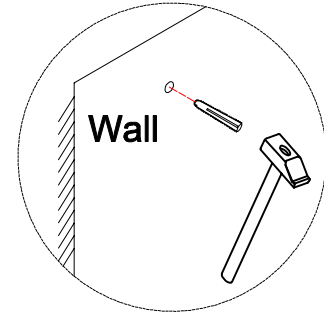
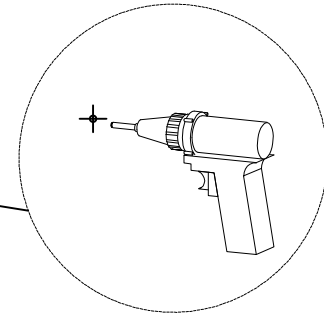
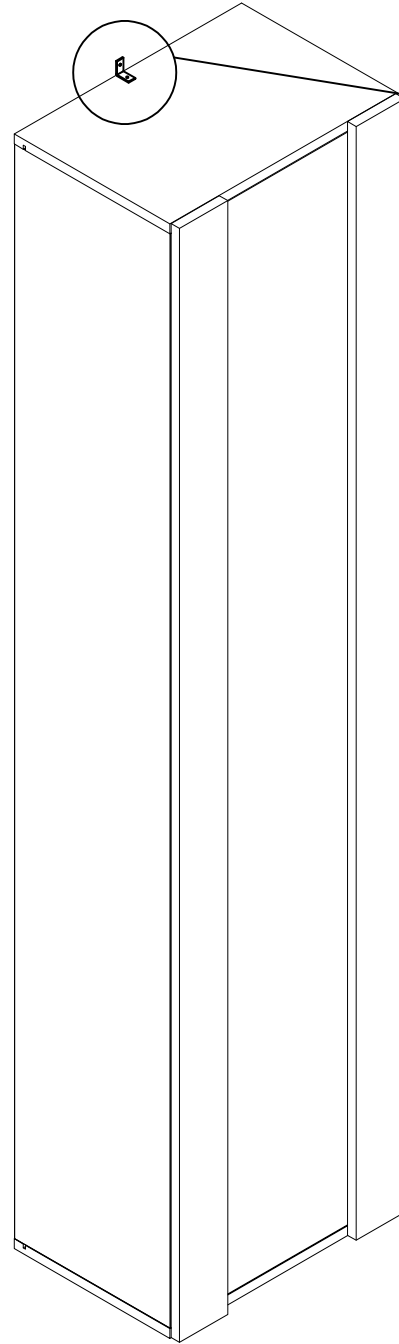
I*10

Put H I on board ⑦

14

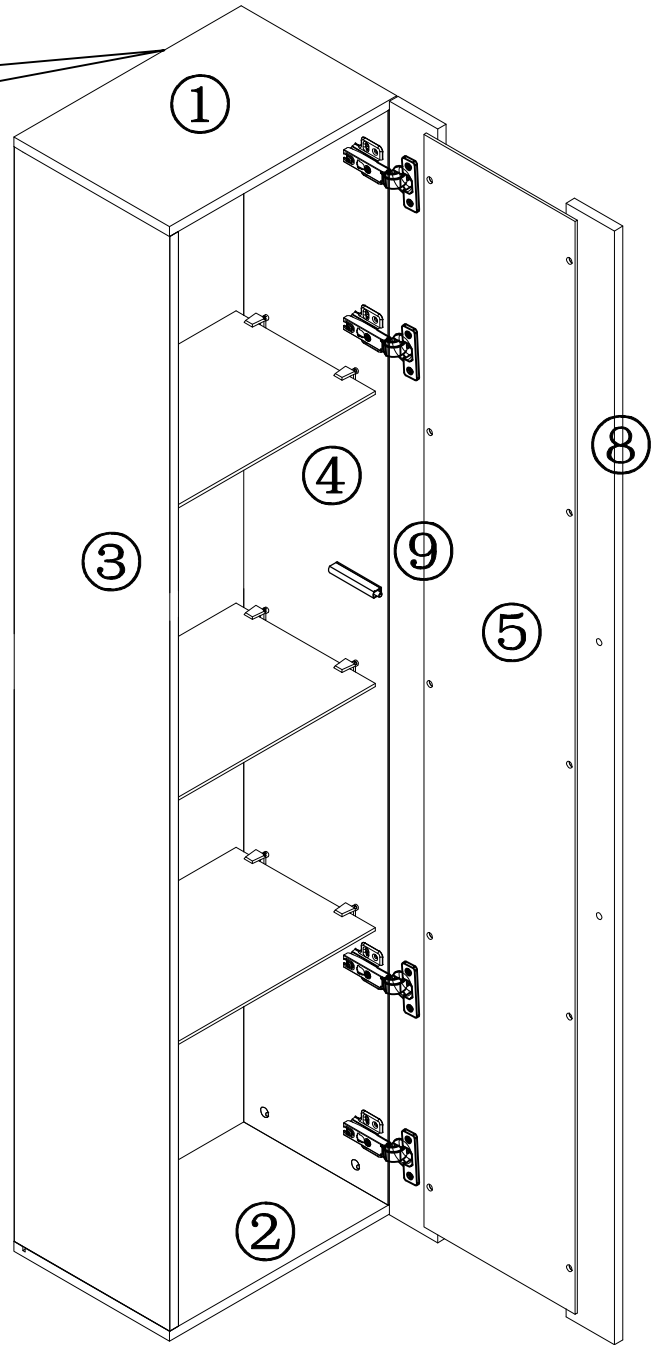
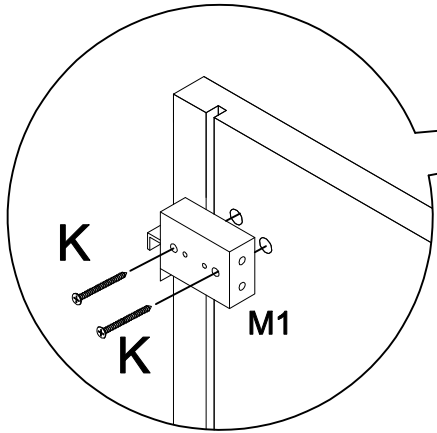


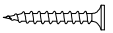
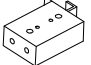
Please install tip-proof fitting.



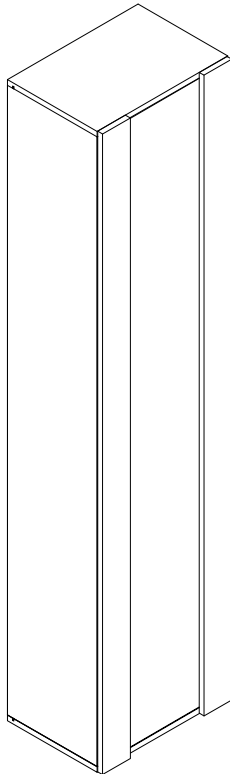
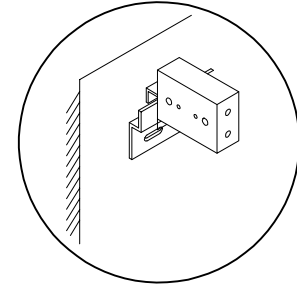
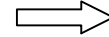
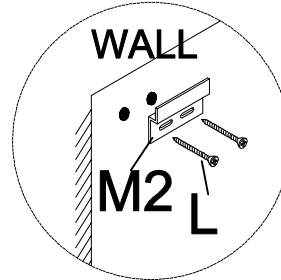
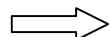
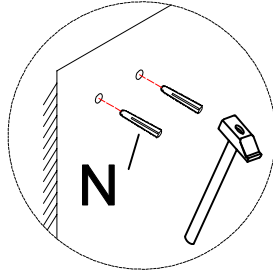
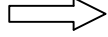
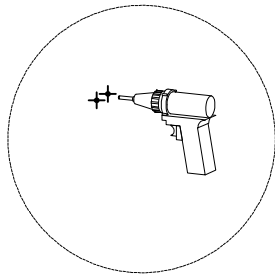
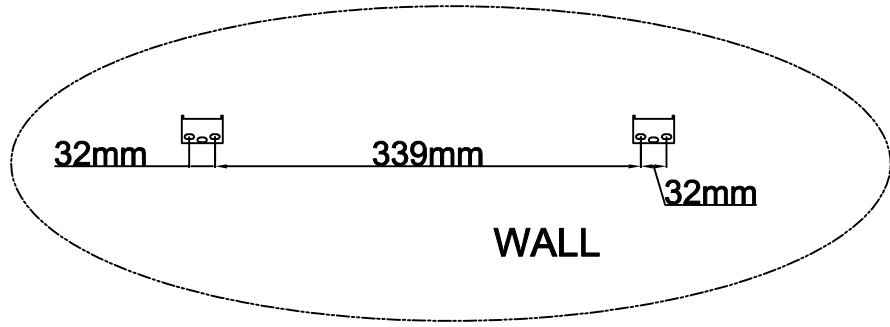
O*1

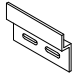
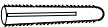

15



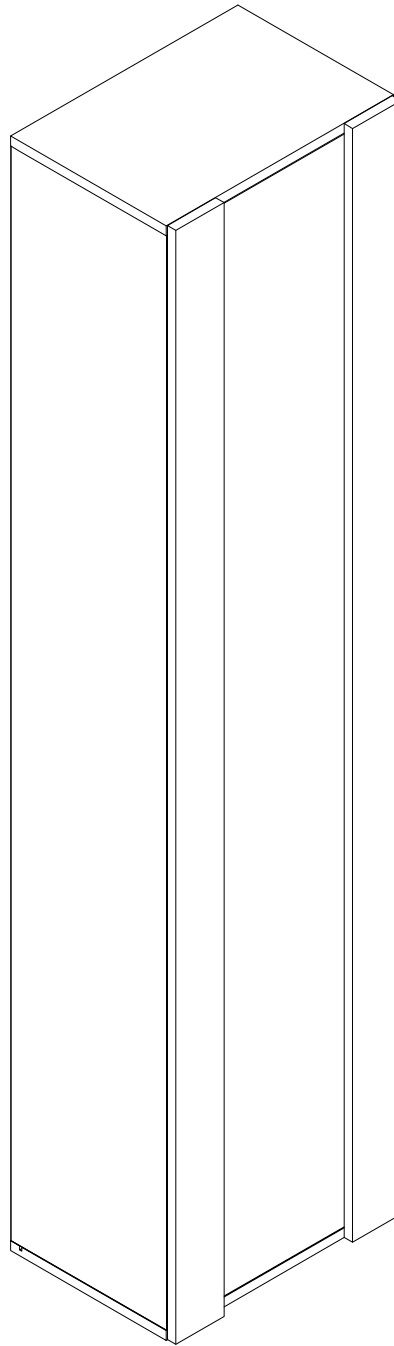
	K*4
	M1*2

Put K M1 on board ③④



	M2*2
	N*4
	L*4

End



LED Light

If you can't let the lights work successfully, please check the following:

1. Please check the direction of the connect, try it in the opposite direction, according to the following picture.
2. Please check the remote control, it need you to tear down the plastic septum before use it.
3. Don't let the remote control too far from the receiver, make sure there is no obstruction between them.

