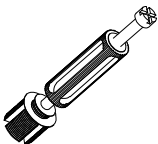
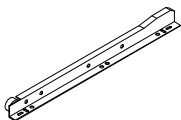

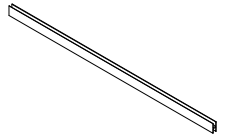

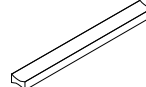

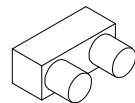
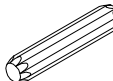

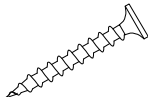
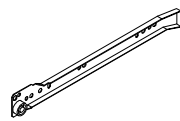
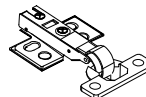
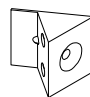
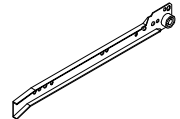


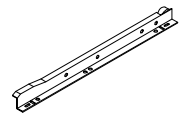
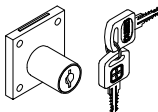

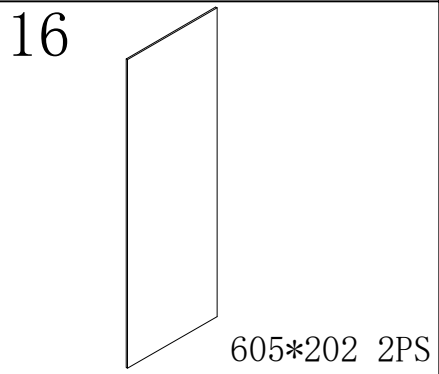
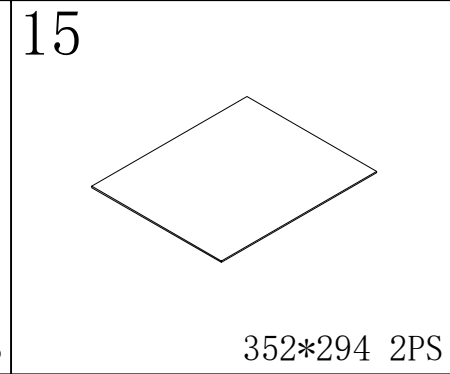
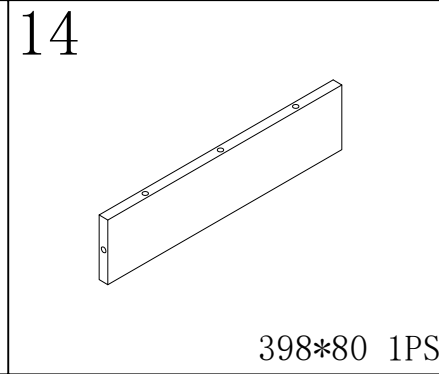
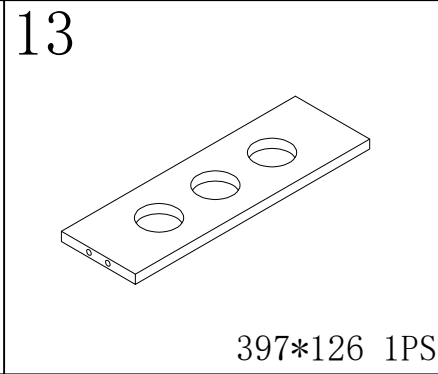
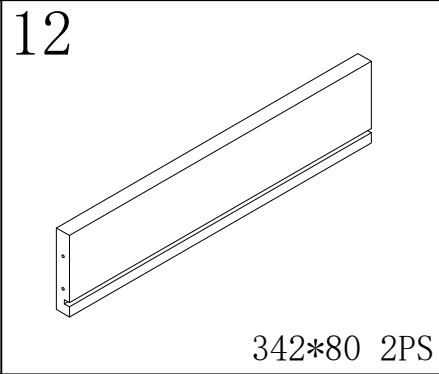
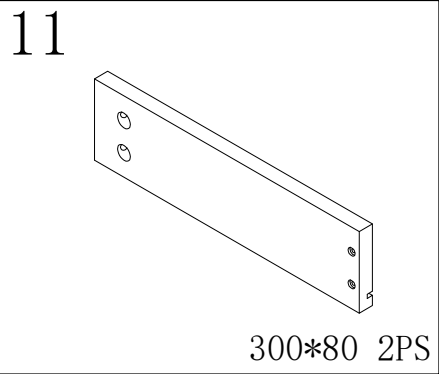
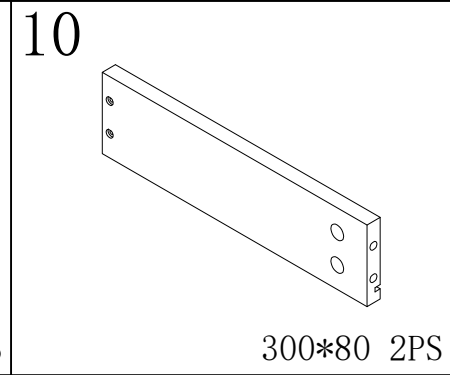
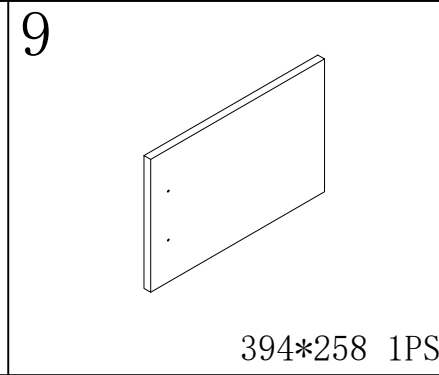
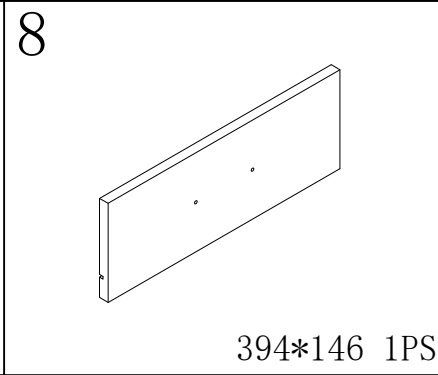
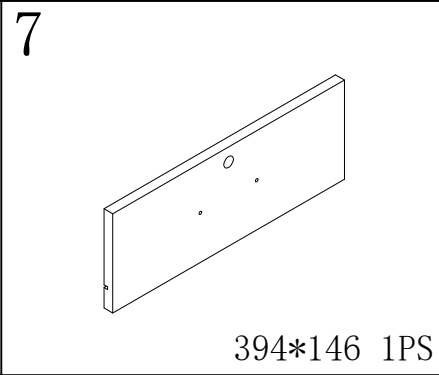
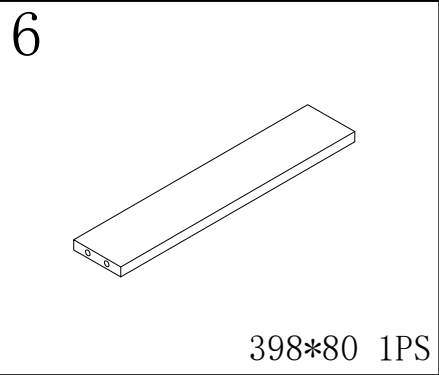
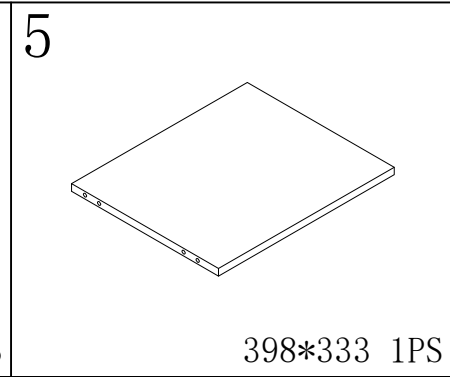
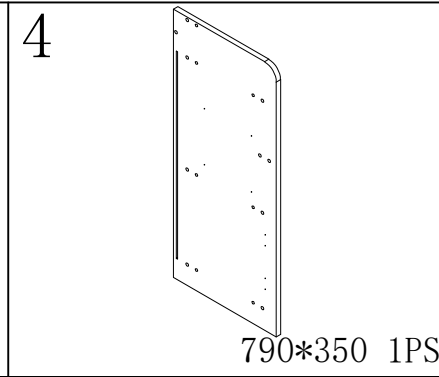
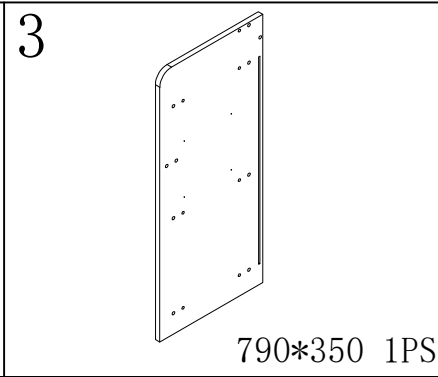
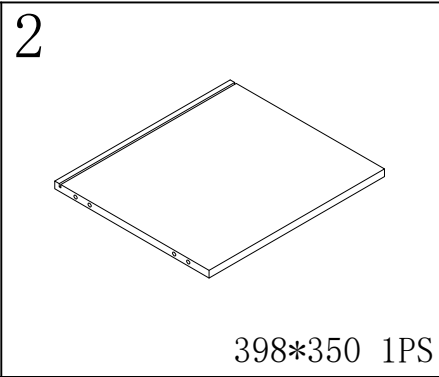
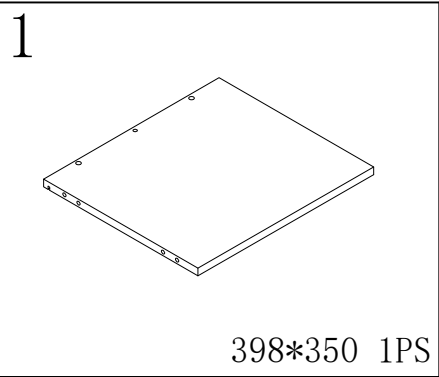


<p>A</p>  <p>32PCS</p>	<p>G 300MM</p>  <p>2PCS</p>	<p>M 3*12</p>  <p>10PCS</p>	<p>S 592MM</p>  <p>1PCS</p>
<p>B</p>  <p>32PCS</p>	<p>H 96MM</p>  <p>3PCS</p>	<p>N 3.5*14</p>  <p>48PCS</p>	<p>T</p>  <p>1PCS</p>
<p>C 8*40</p>  <p>16PCS</p>	<p>I 4*18</p>  <p>6PCS</p>	<p>O 3.5*35</p>  <p>8PCS</p>	
<p>D 300MM</p>  <p>2PCS</p>	<p>J</p>  <p>2PCS</p>	<p>P</p>  <p>10PCS</p>	
<p>E 300MM</p>  <p>2PCS</p>	<p>K ϕ 60</p>  <p>3PCS</p>	<p>Q</p>  <p>2PCS</p>	
<p>F 300MM</p>  <p>2PCS</p>	<p>L</p>  <p>1PCS</p>	<p>R</p>  <p>2PCS</p>	

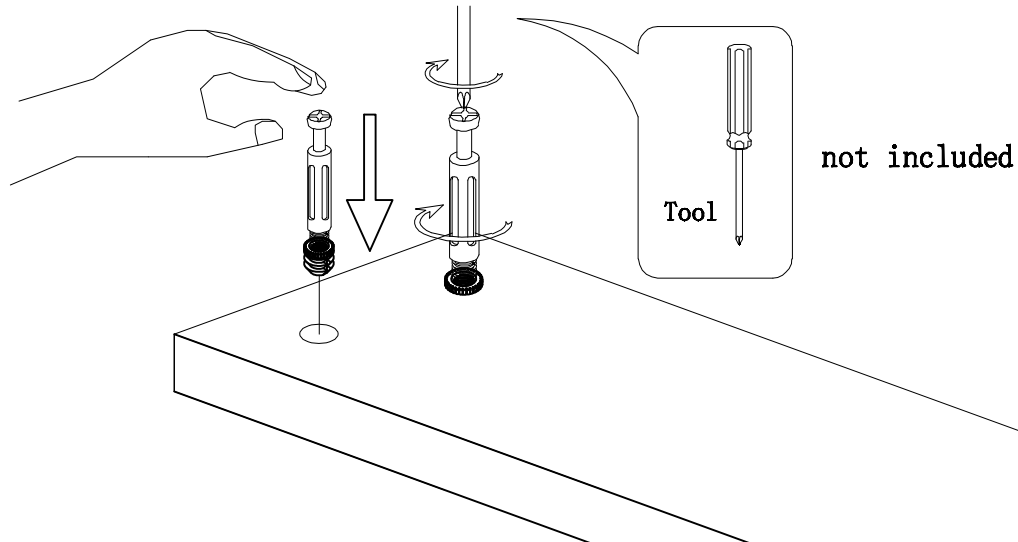




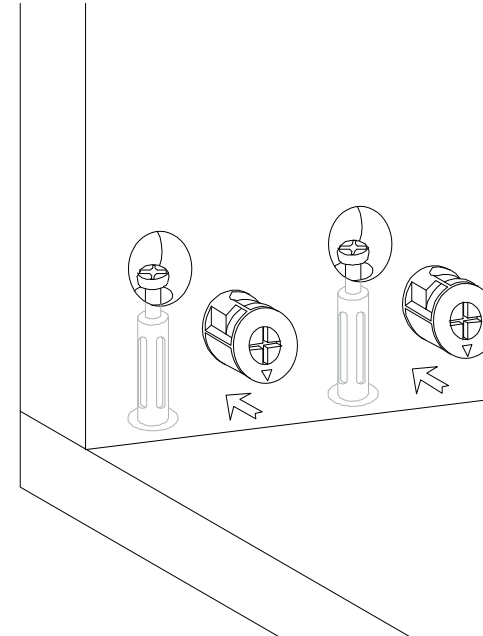
Hardware installation demonstration

NOTE: Please make sure "A" hardware tightened and can't be pulled out!

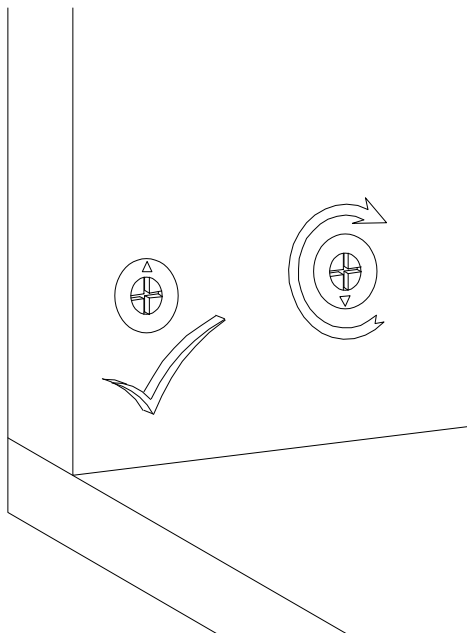
I



II



III

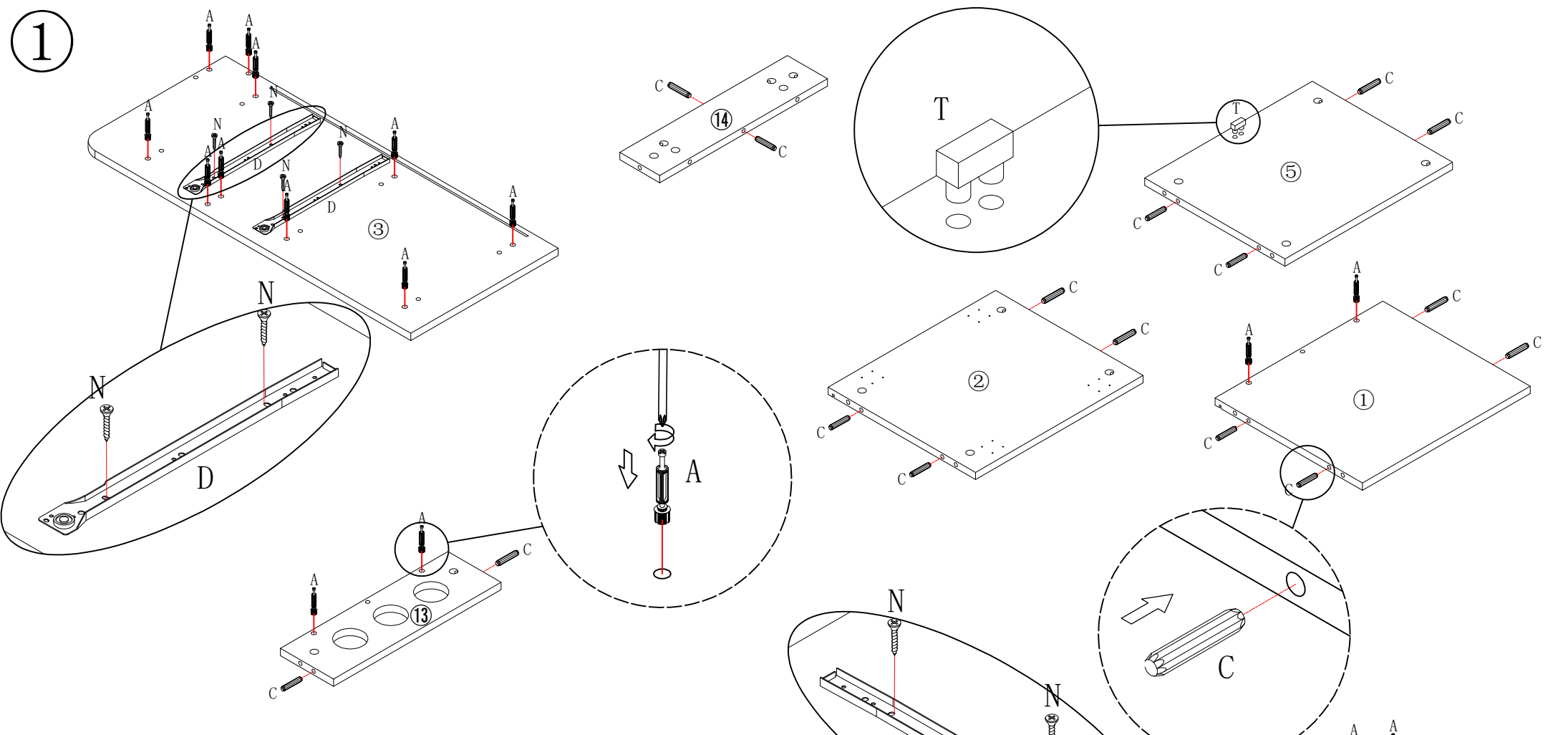








IV



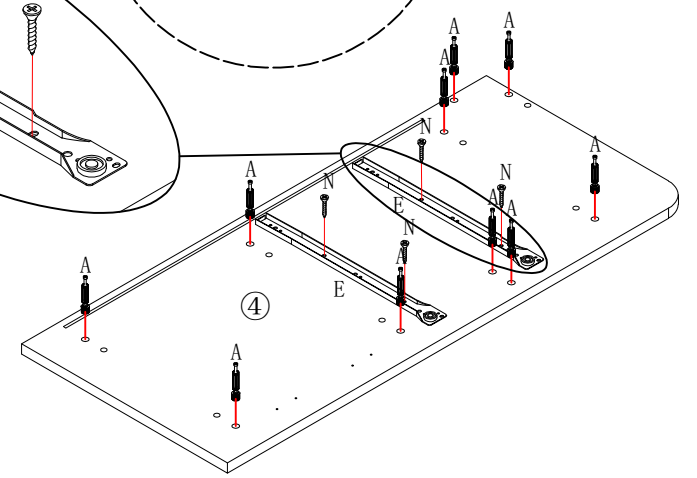
Scan QR code for assembly video

1

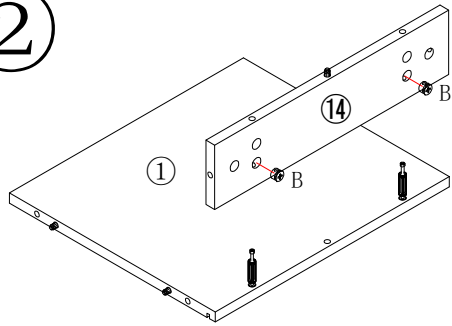


	A*24
	C*16
	D*2
	E*2
	N*8
	T*1

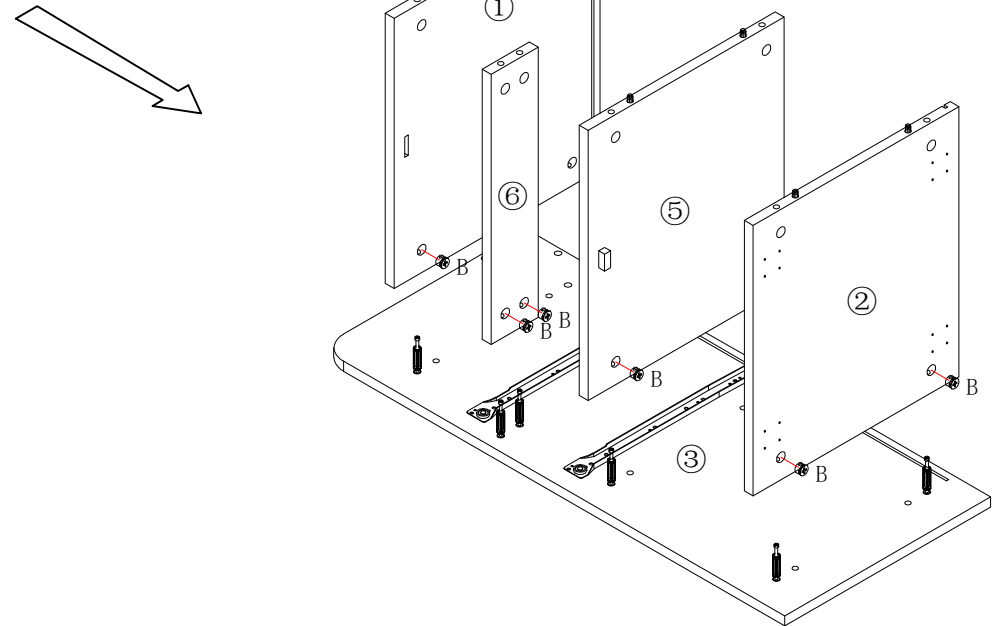
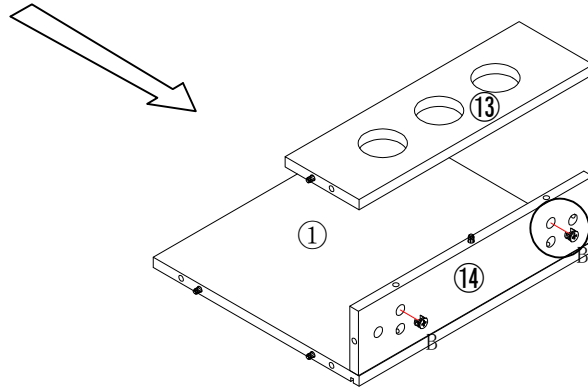
put A on board ①③④⑬
 put C on board ①②⑤⑬⑭



2

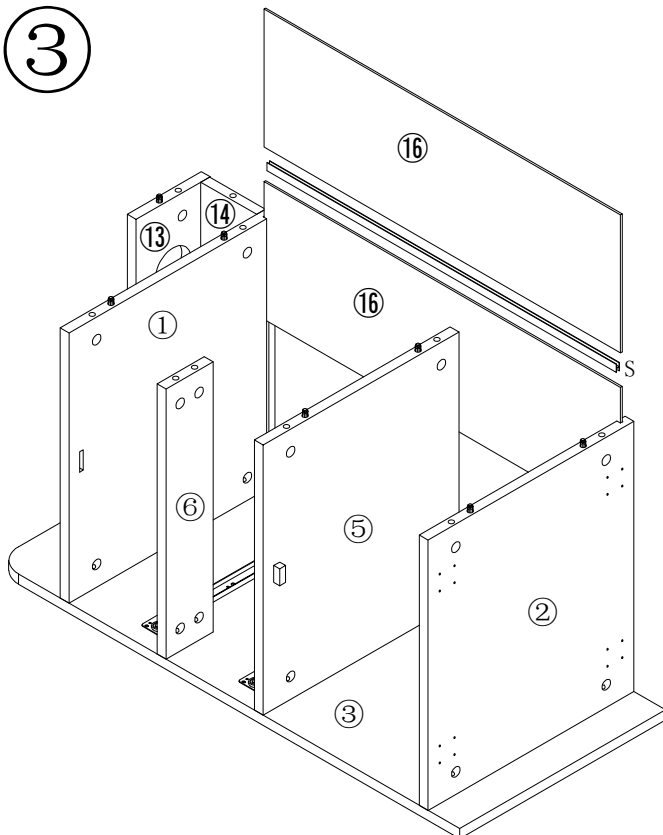


Make sure the arrow on the screw align to the hole on the side.

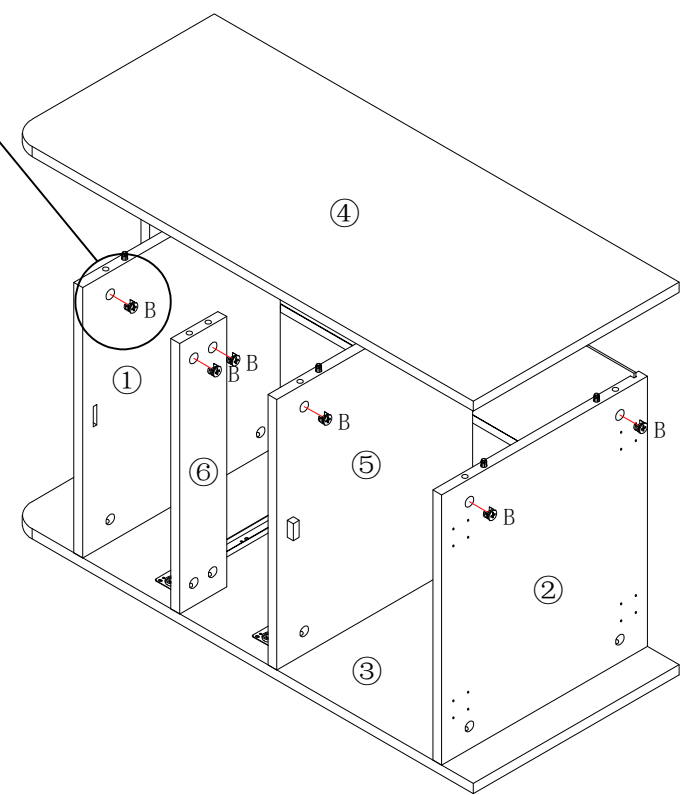
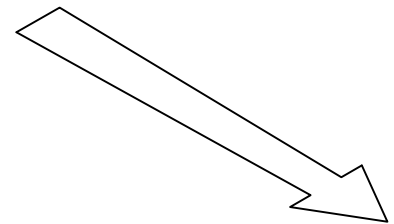
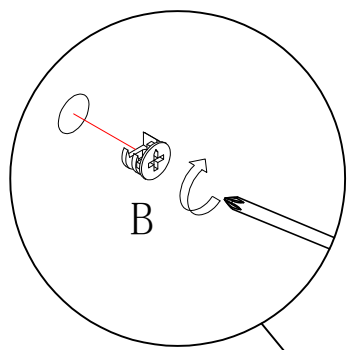




B*14 put B on board ①②⑤⑥⑬⑭

3



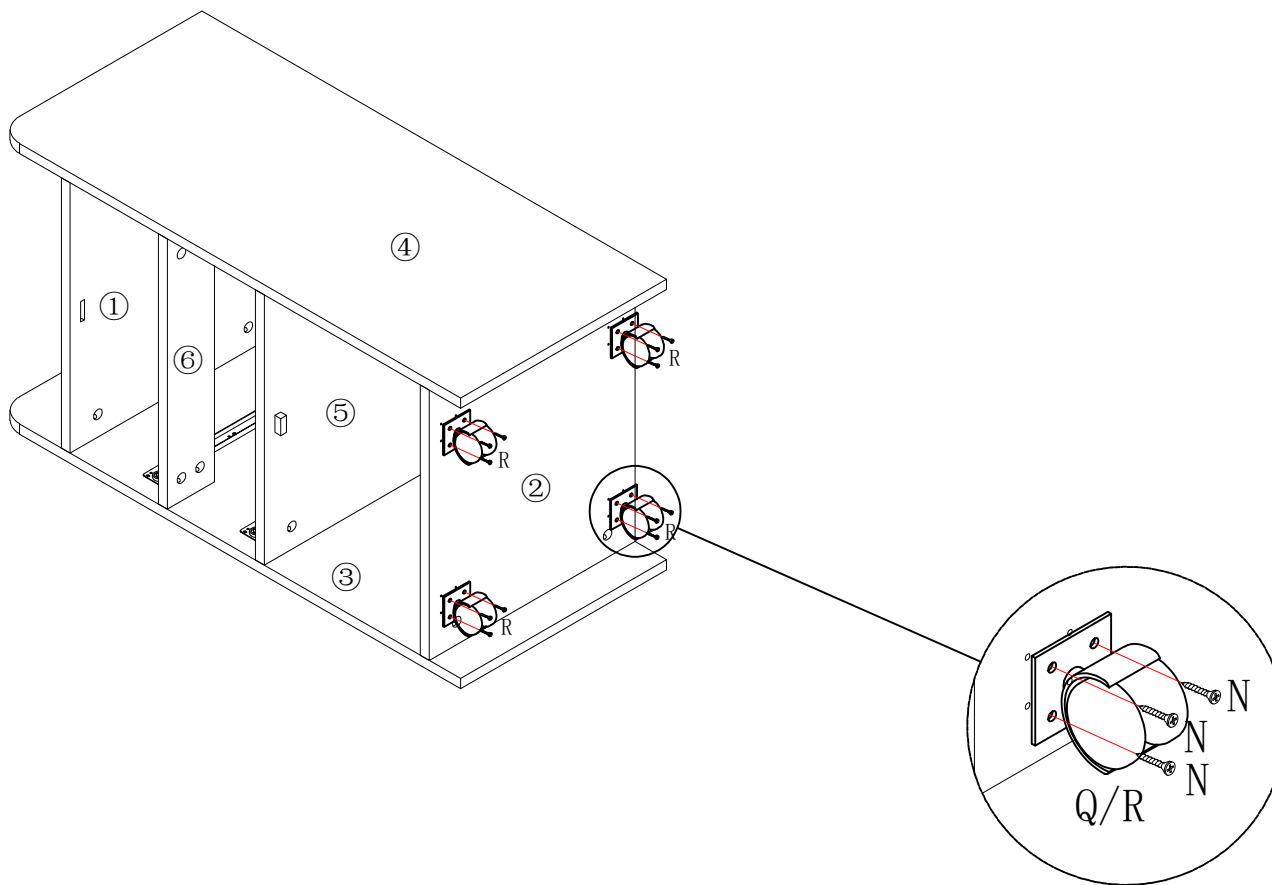
Make sure the arrow on the screw align to the hole on the side.






	B*10
	S*1

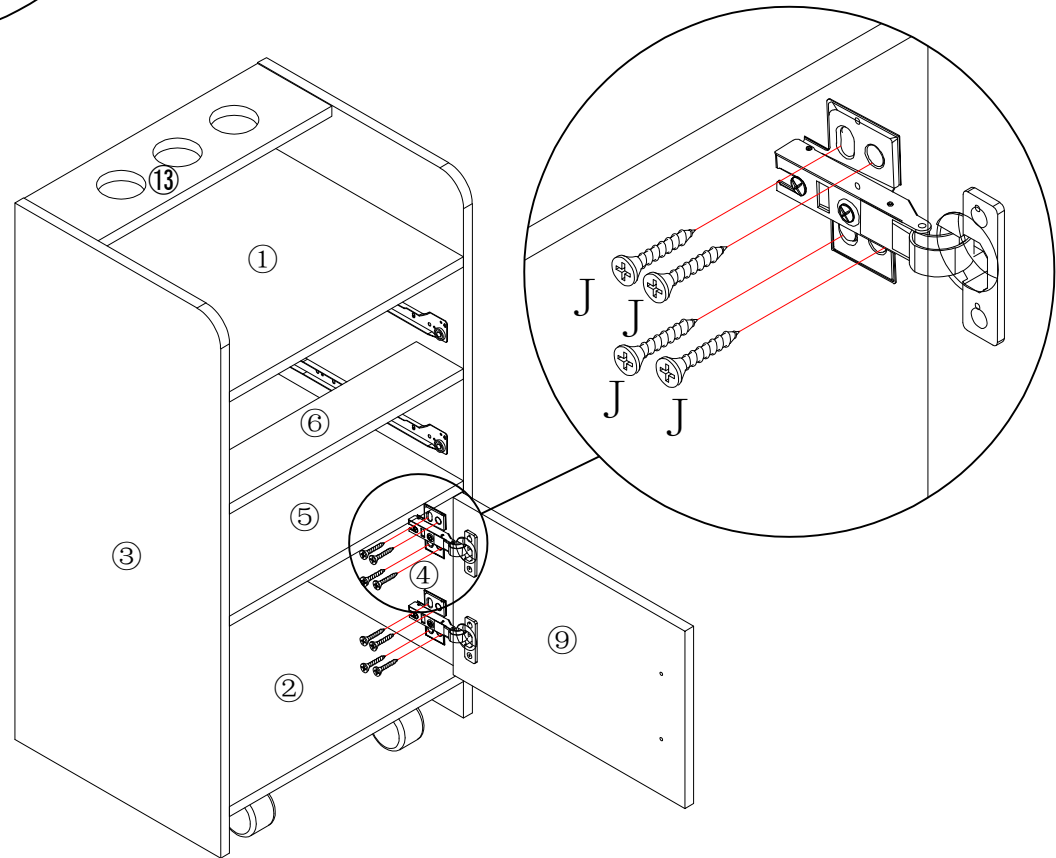
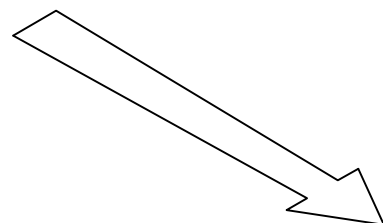
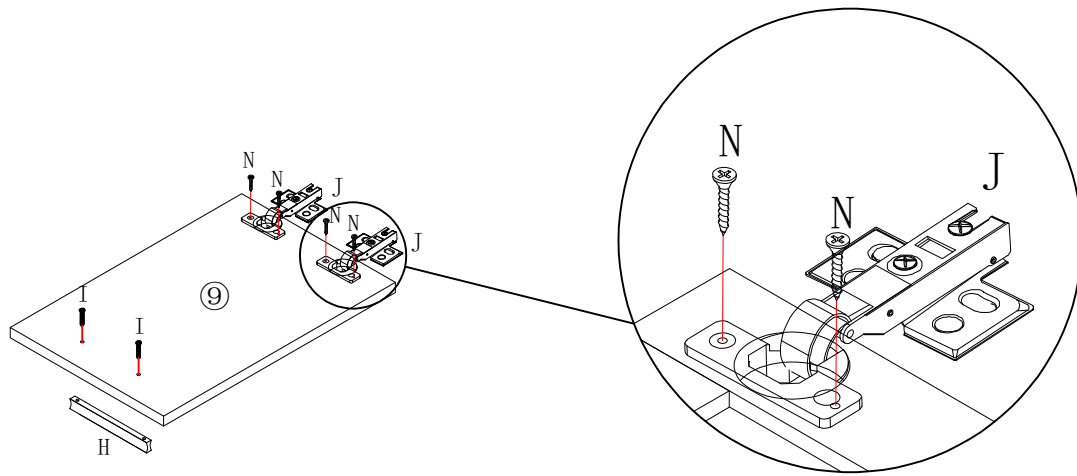
put B on board ①②⑤⑥⑬⑭




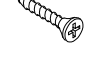
4



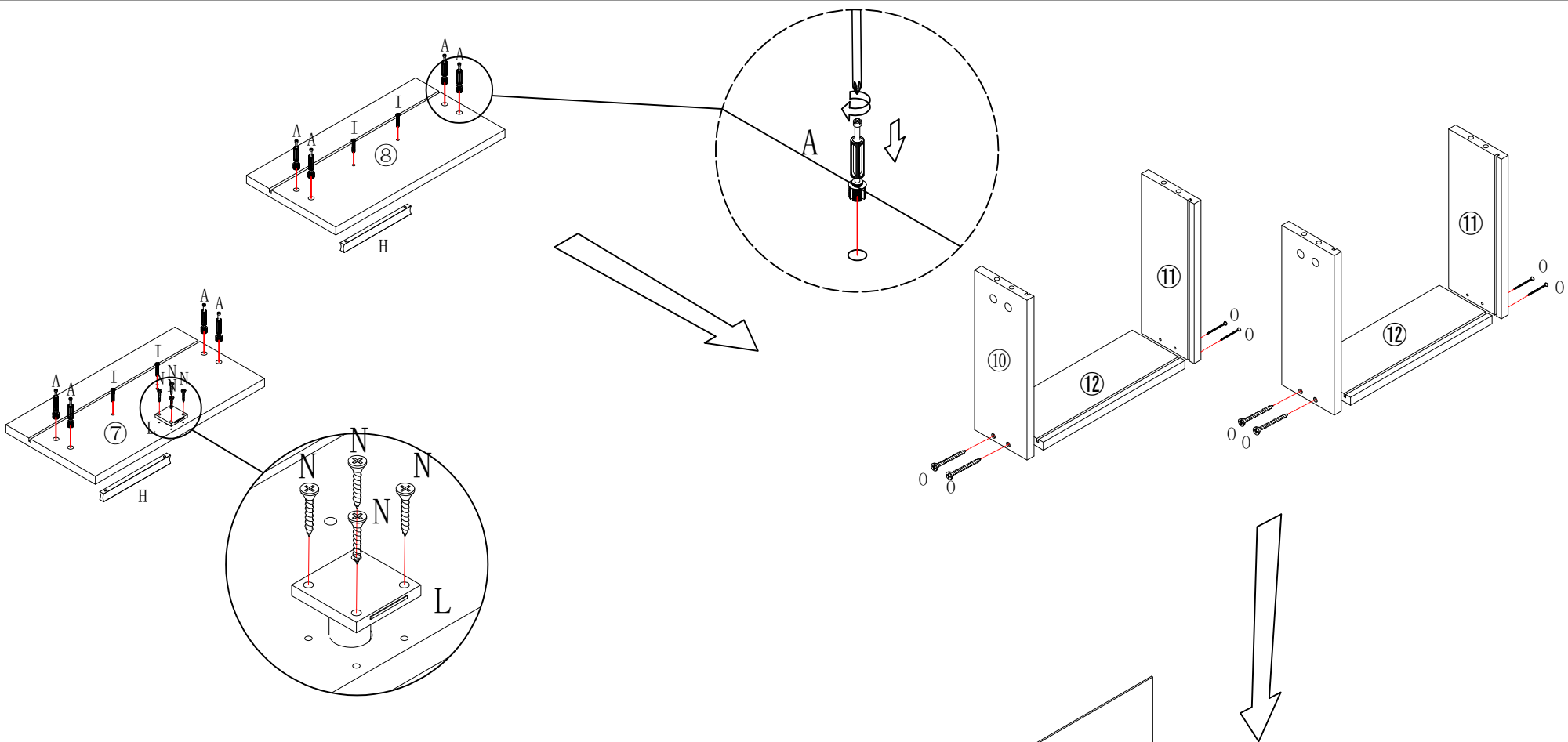
	N*16
	Q*2
	R*2

5


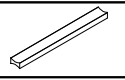
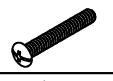
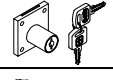

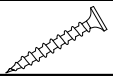


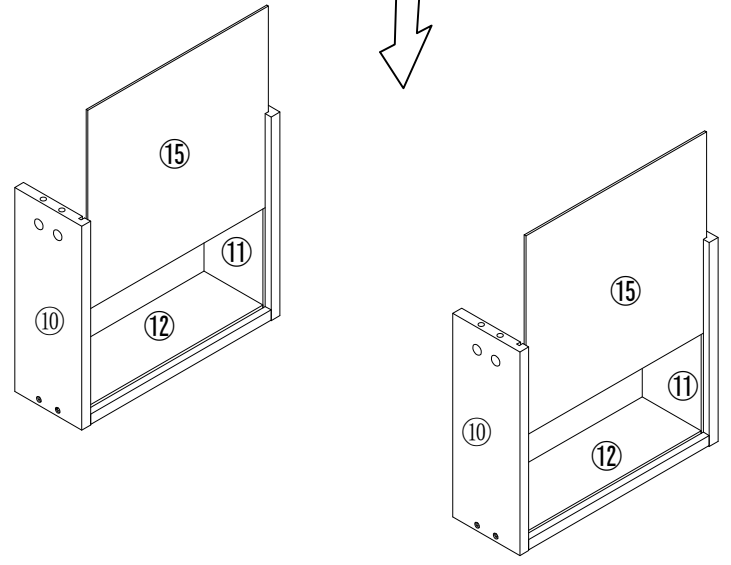
	H*1
	I*2
	J*2
	N*12

6

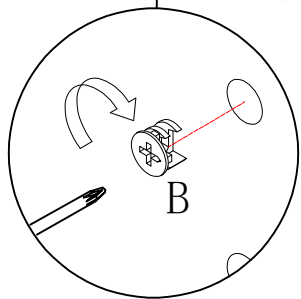
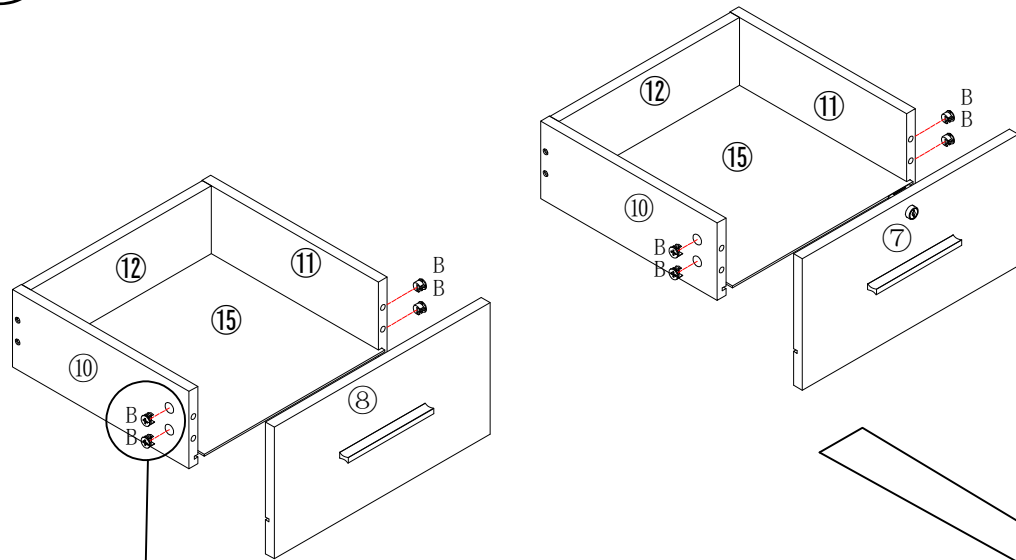


put A on board ⑦⑧

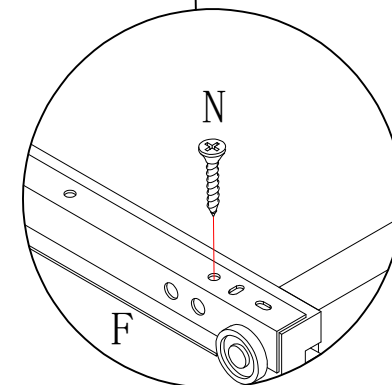
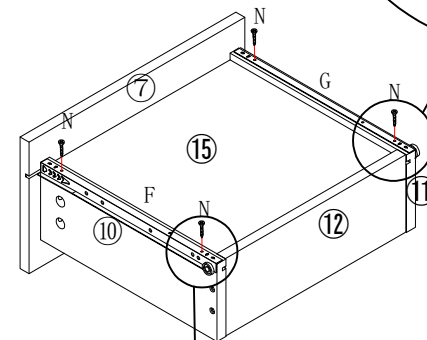
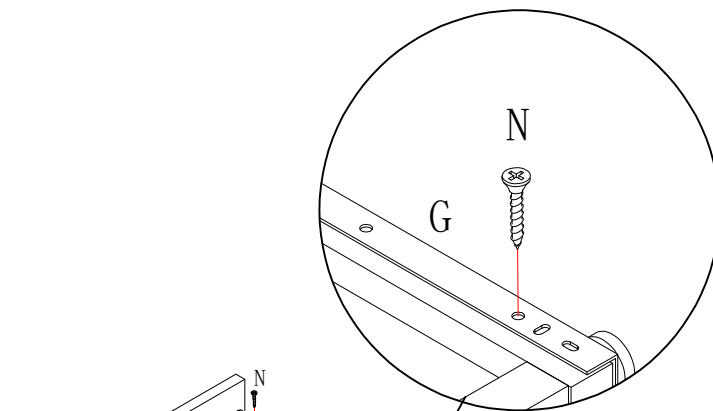
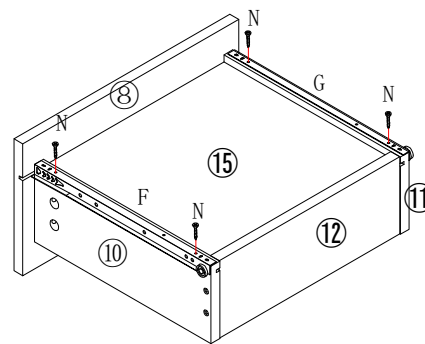
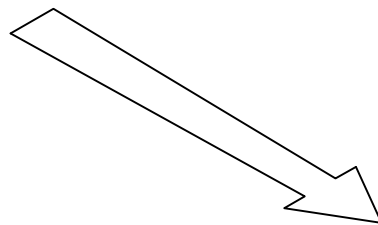
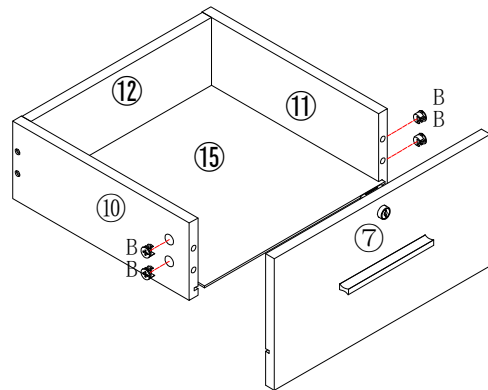
	A*8
	H*2
	I*4
	L*1
	N*4
	0*8



7

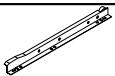


Make sure the arrow on the screw align to the hole on the side.

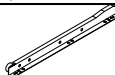


B*8

put B on board 10 11



F*2

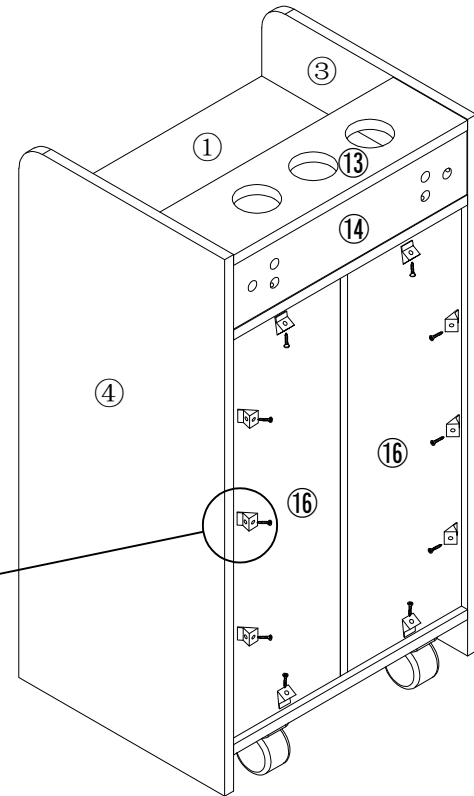
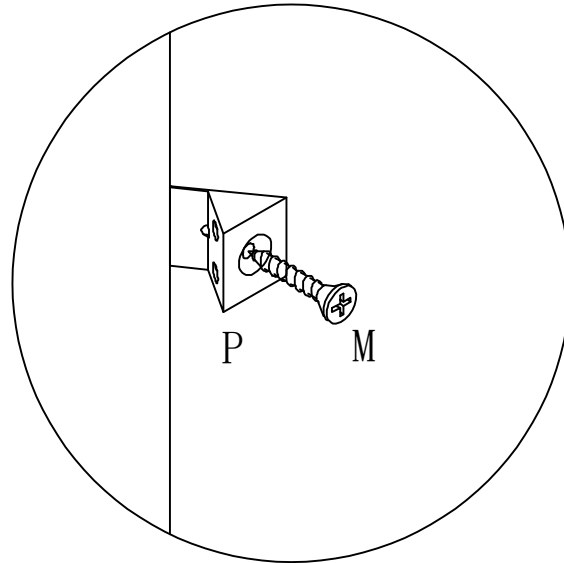
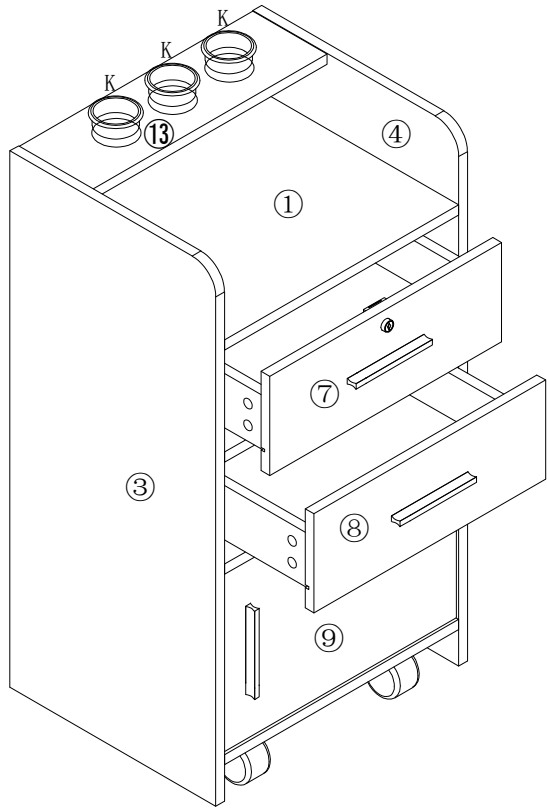


G*2



N*8

8



K*3

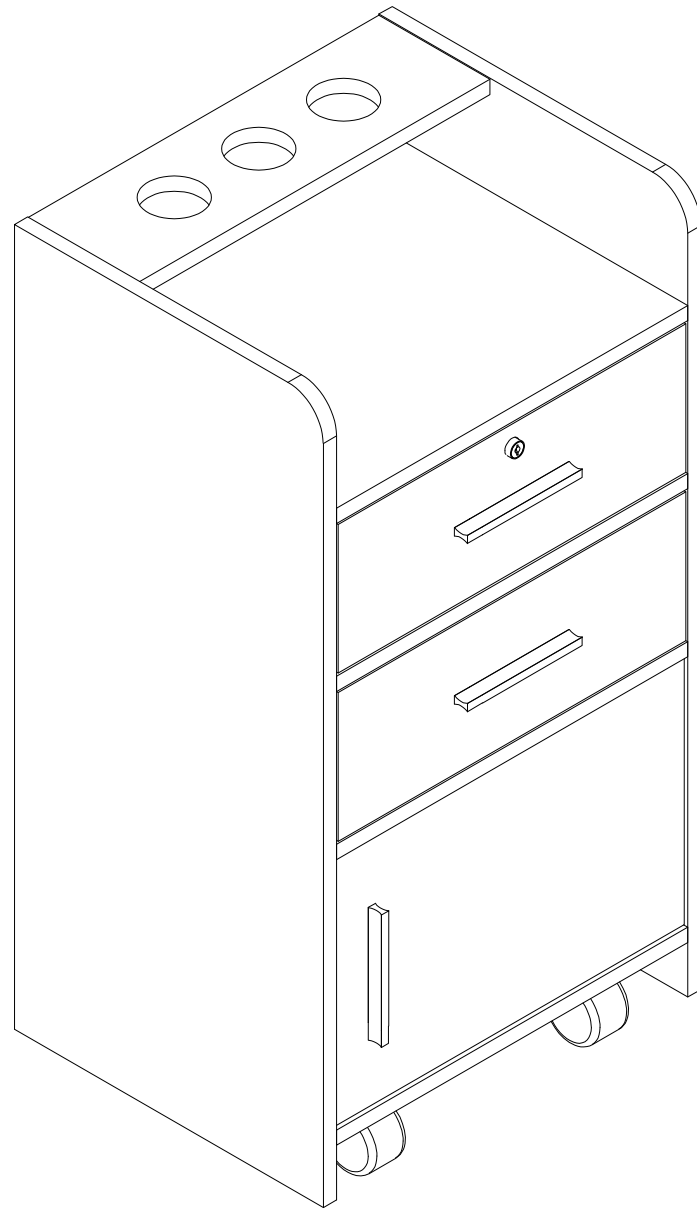


M*10



P*10

9



---END---