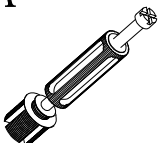

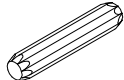

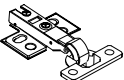

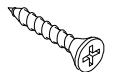

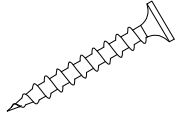
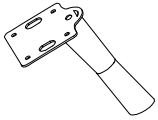
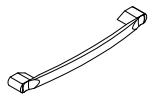

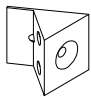

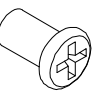
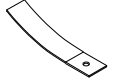
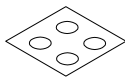

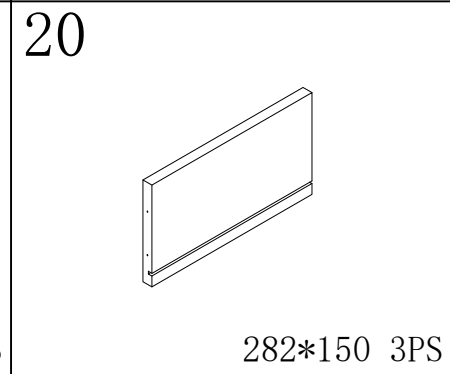
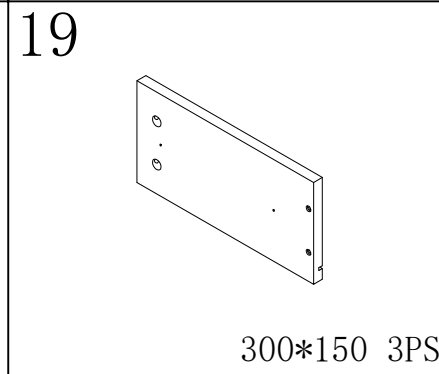
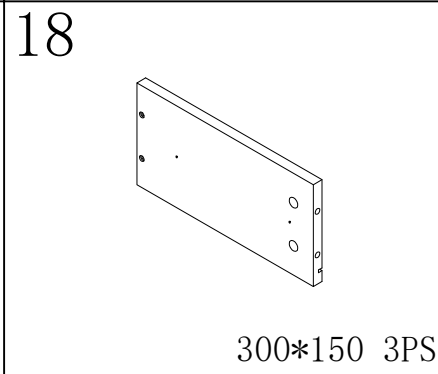
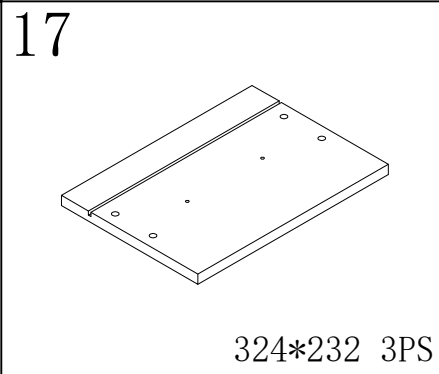
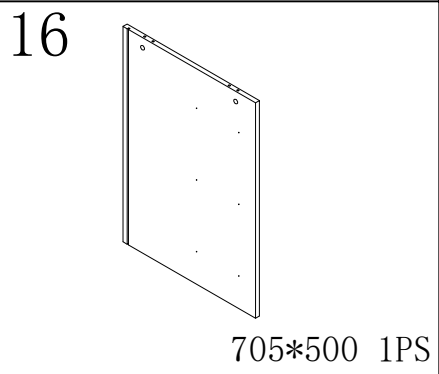
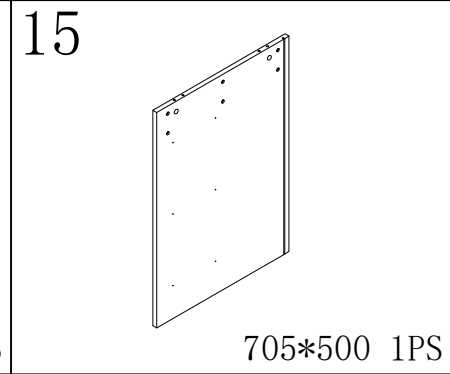
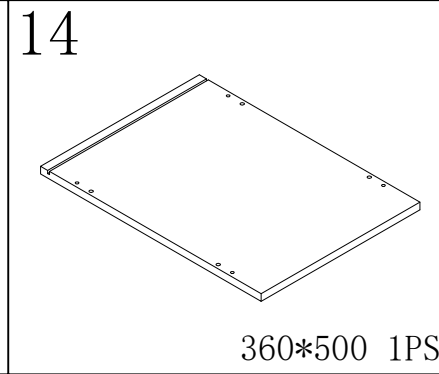
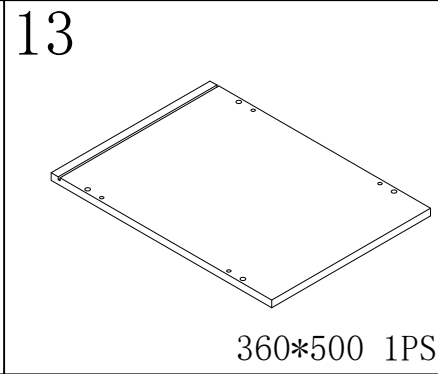
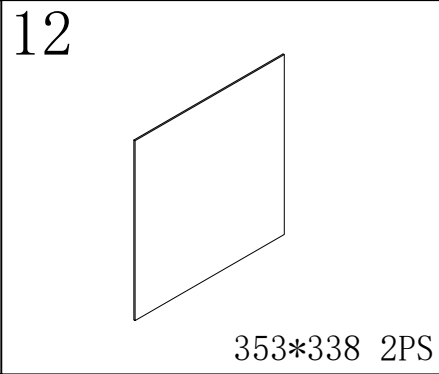
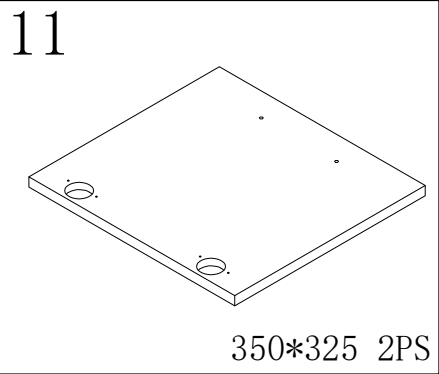
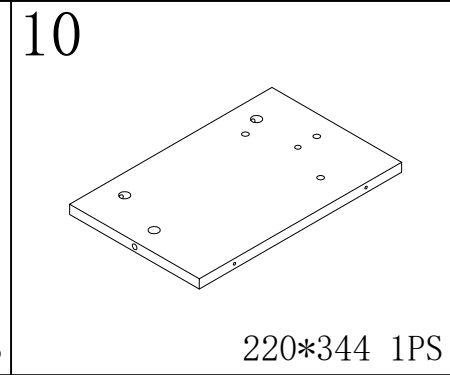
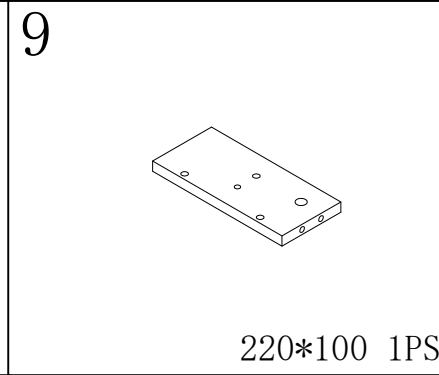
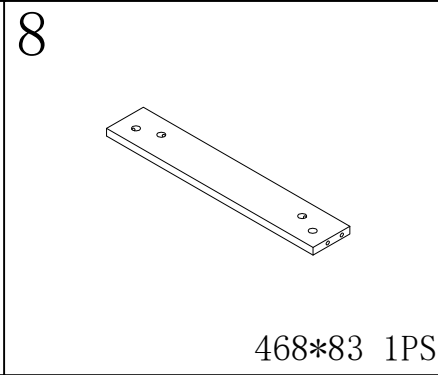
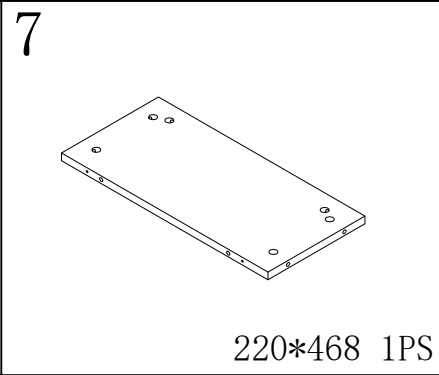
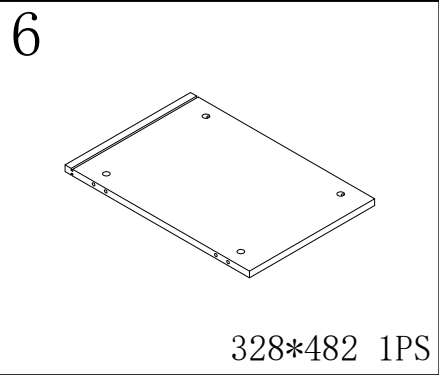
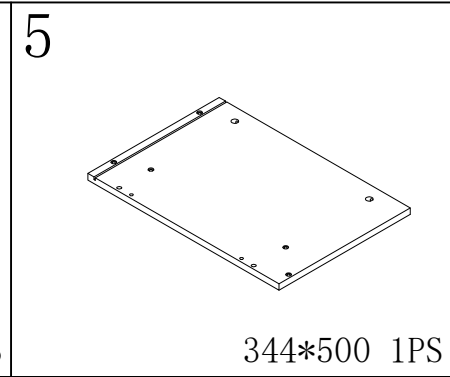
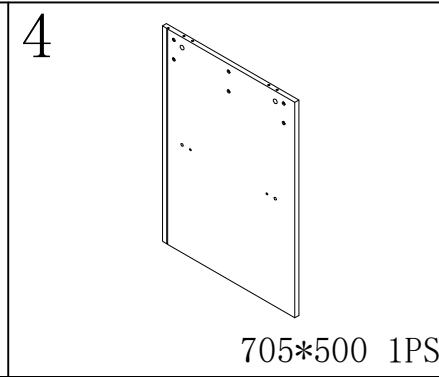
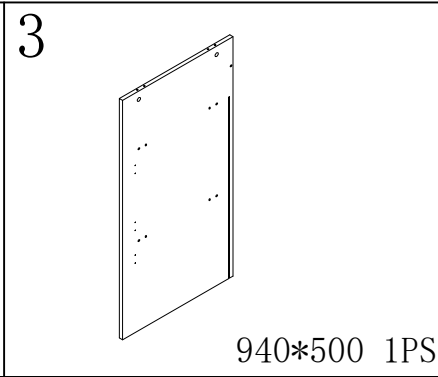
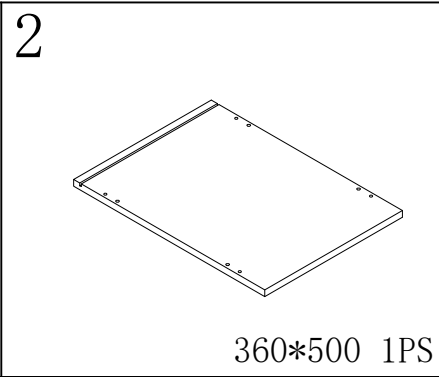
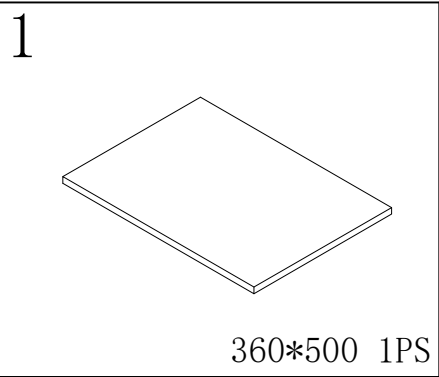
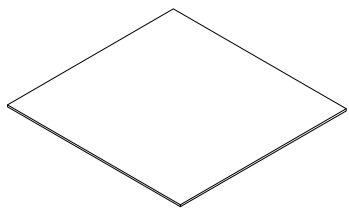


X3

<p>A</p>  <p>52PCS</p>	<p>B</p>  <p>52PCS</p>	<p>C 8*40</p>  <p>41PCS</p>	<p>D 7*50</p>  <p>21PCS</p>	<p>E</p>  <p>4PCS</p>	<p>F 3*12</p>  <p>14PCS</p>	<p>G 3.5*14</p>  <p>50PCS</p>	<p>H 3.5*16</p>  <p>32PCS</p>	<p>I 3.5*35</p>  <p>16PCS</p>	<p>J 150MM</p>  <p>8PCS</p>
<p>K 128MM</p>  <p>5PCS</p>	<p>L 4*18</p>  <p>10PCS</p>	<p>M</p>  <p>14PCS</p>	<p>N 6*25</p>  <p>12PCS</p>	<p>O</p>  <p>12PCS</p>	<p>P</p>  <p>2PCS</p>	<p>Q</p>  <p>10PCS</p>	<p>R</p>  <p>3PCS</p>		



21



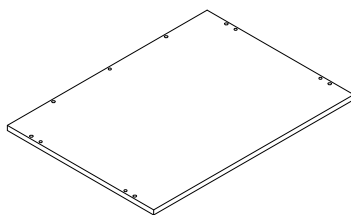
282*294 3PS

22



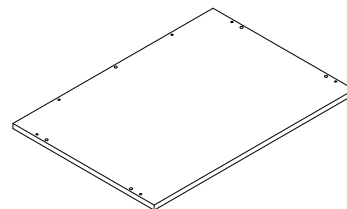
715*338 1PS

23



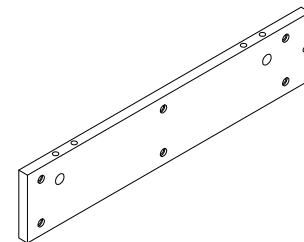
680*498 1PS

24



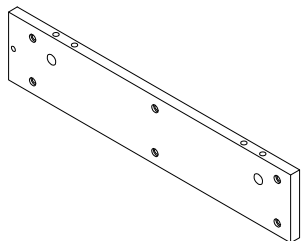
680*480 1PS

25



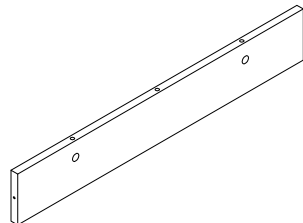
100*480 1PS

26



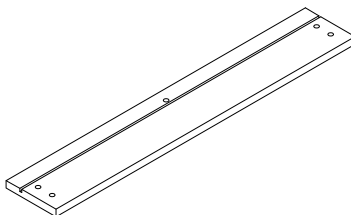
100*480 1PS

27



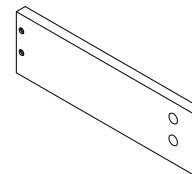
100*648 1PS

28



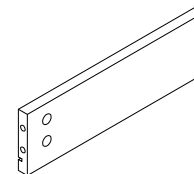
678*113 1PS

29



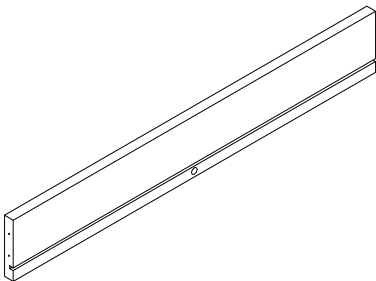
300*90 1PS

30



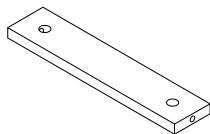
300*90 1PS

31



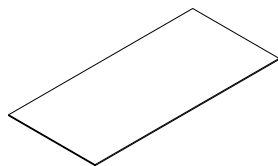
616*90 1PS

32



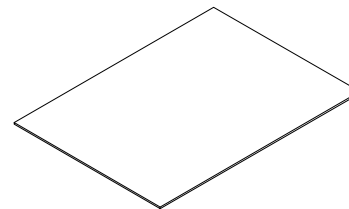
284*60 1PS

33



626*294 1PS

34



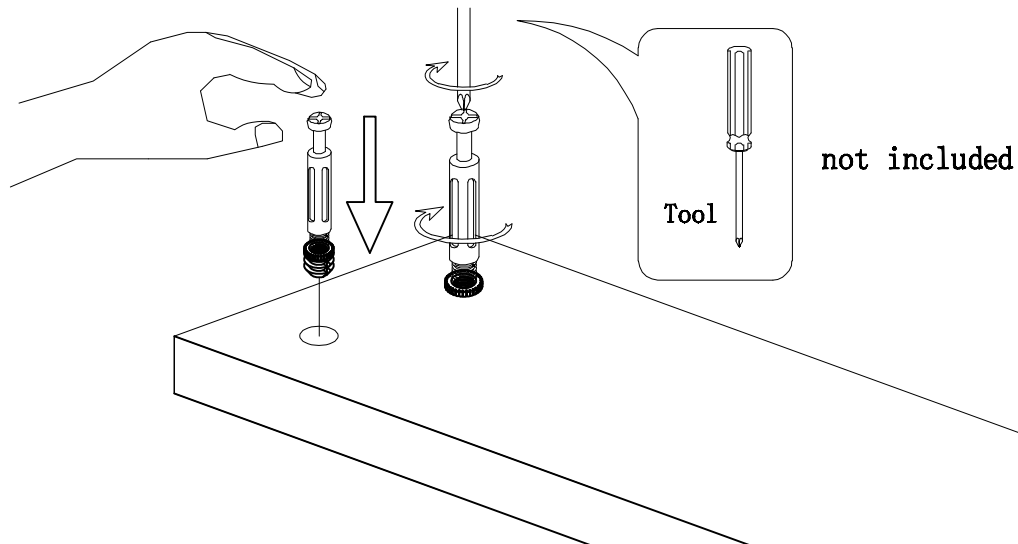
679*497 1PS



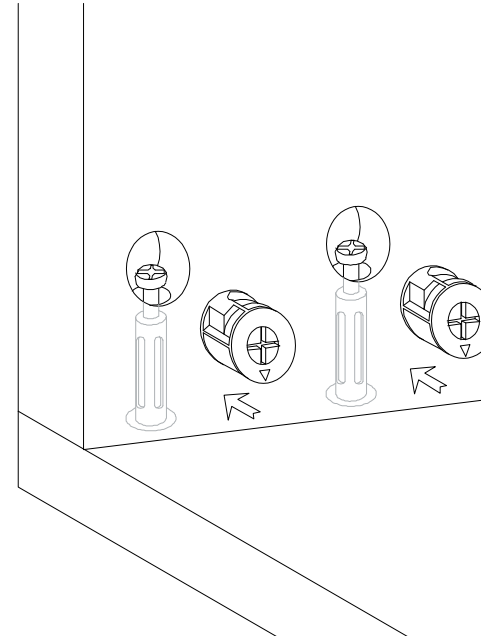
Hardware installation demonstration

NOTE: Please make sure "A" hardware tightened and can't be pulled out!

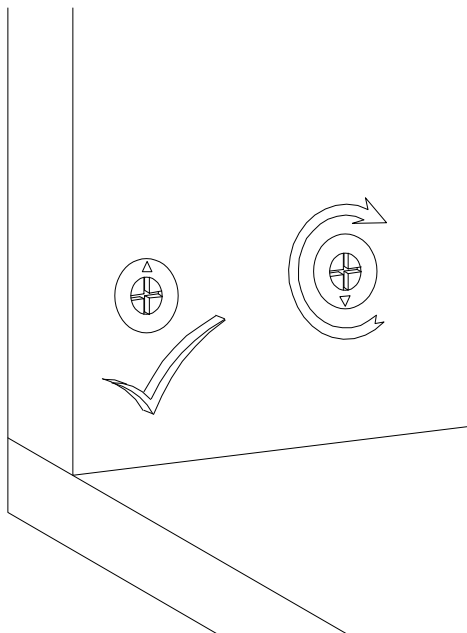
I



II



III

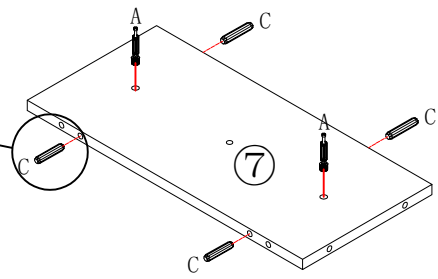
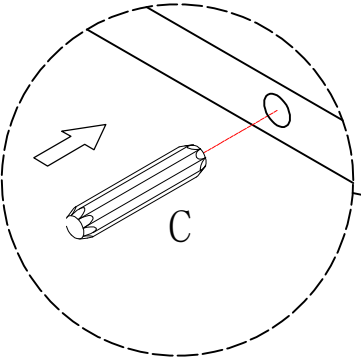
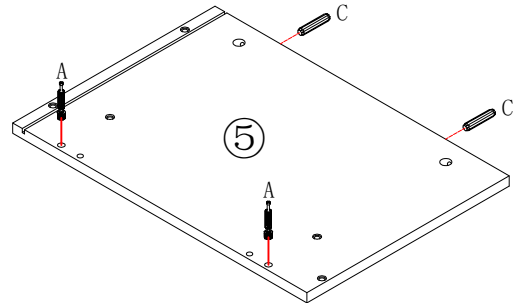
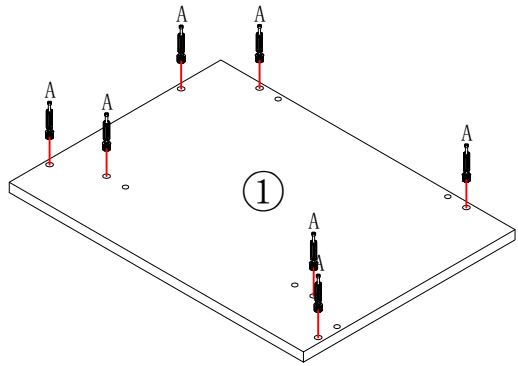
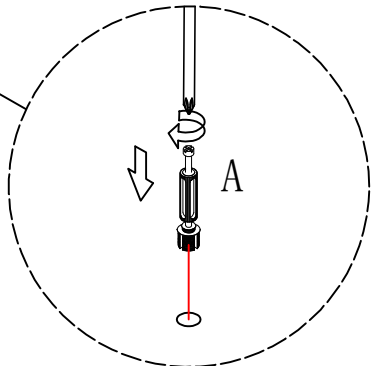
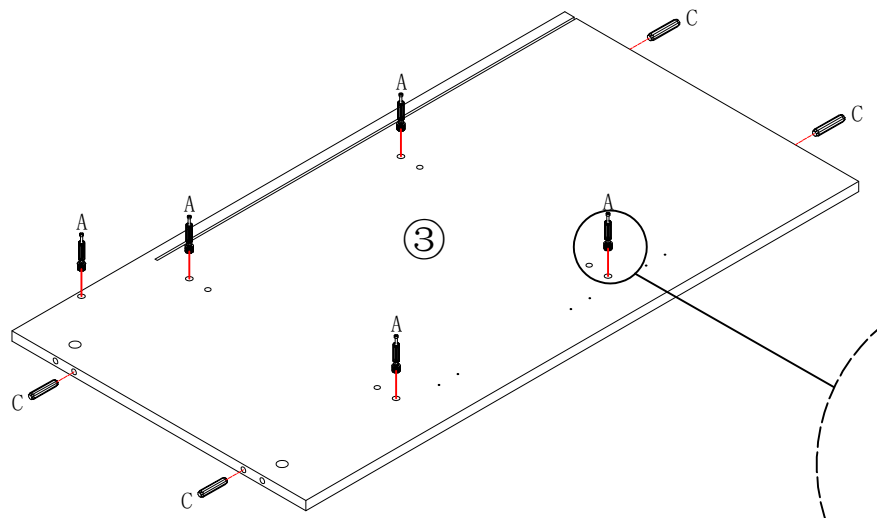



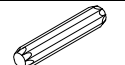
IV



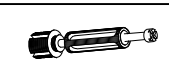
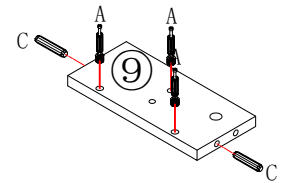
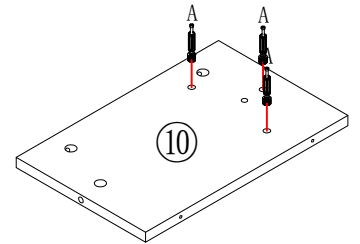
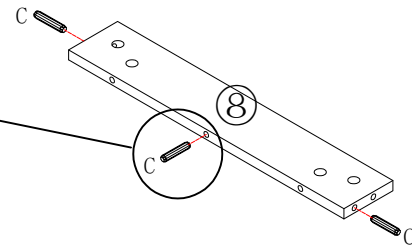
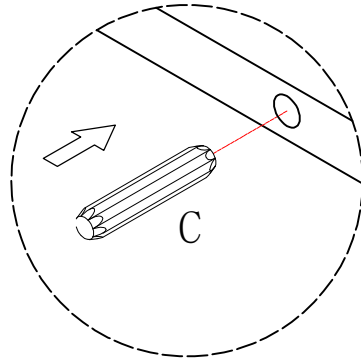
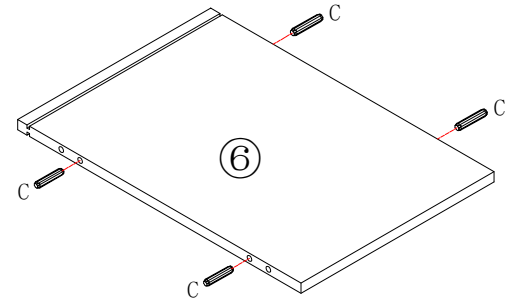
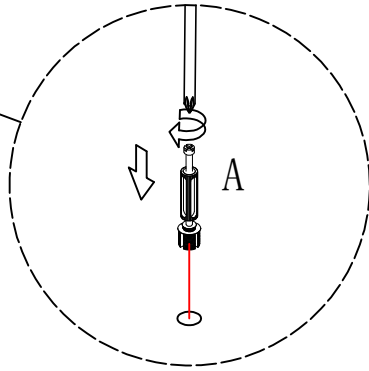
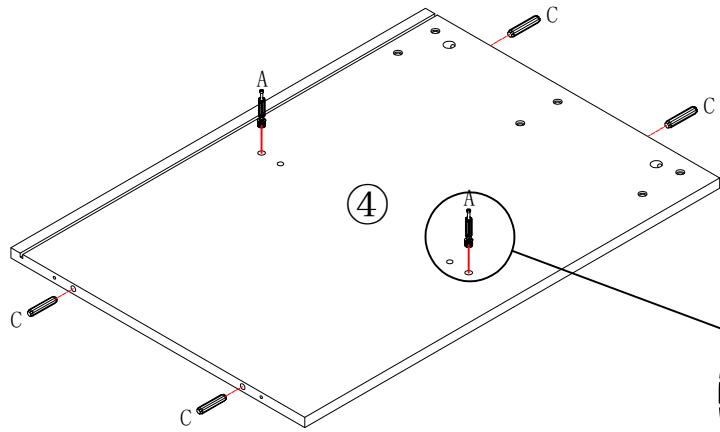
Scan QR code for assembly video

1

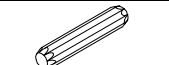


	A*16	put A on board ①③⑤⑦
	C*10	put C on board ③⑤⑦

2

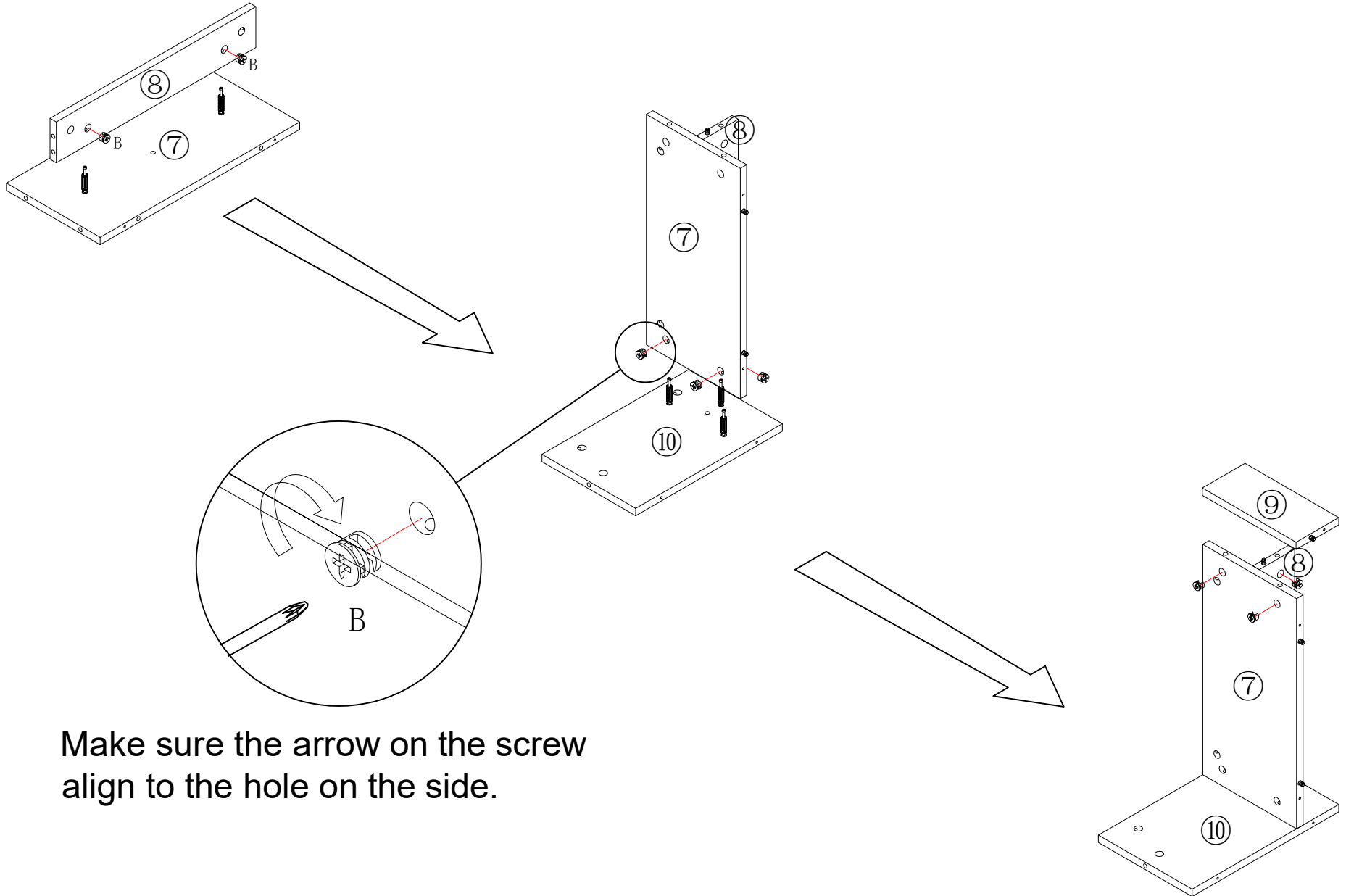


A*8 put A on board ④⑥⑧⑨⑩



C*13 put C on board ④⑥⑧⑨

3

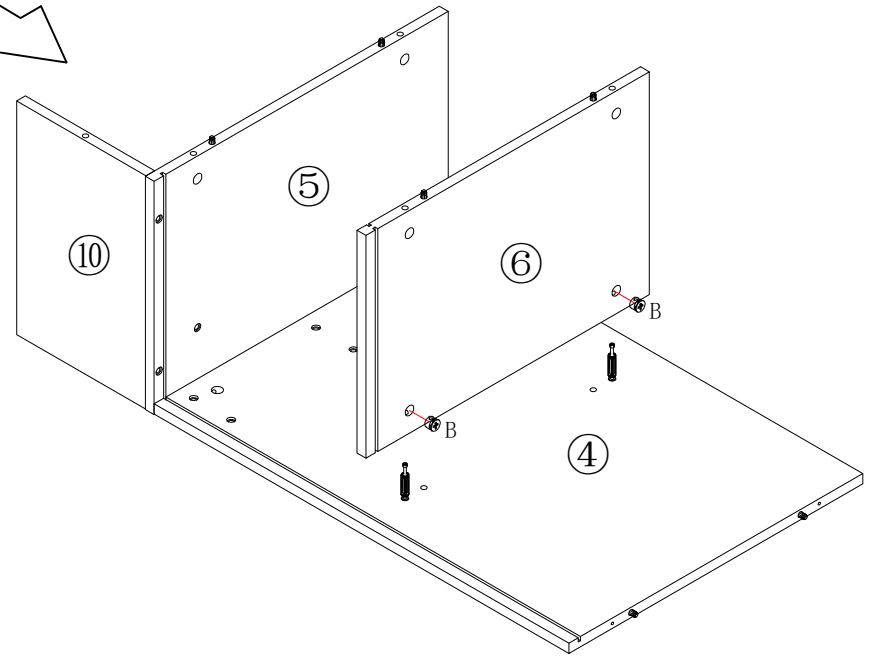
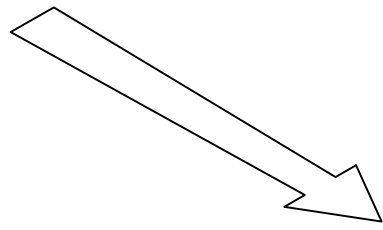
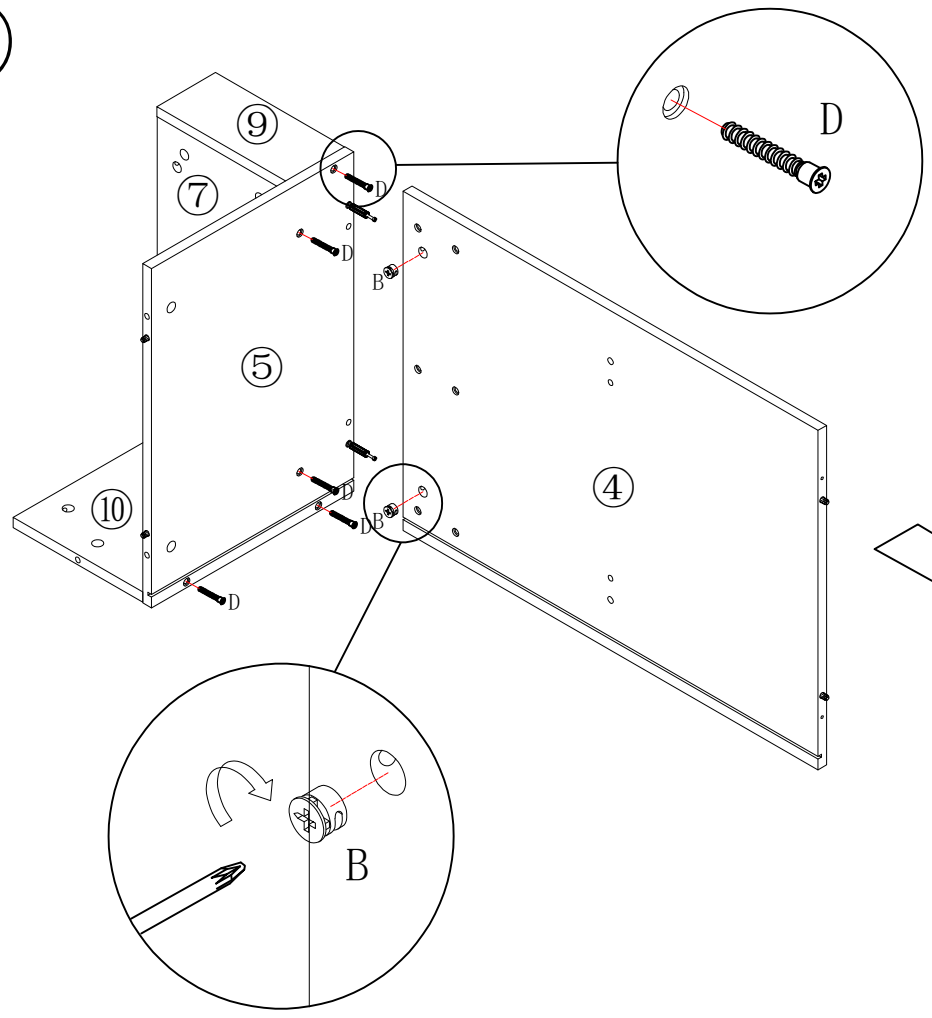


Make sure the arrow on the screw align to the hole on the side.





B*8 put B on board 7 8

4

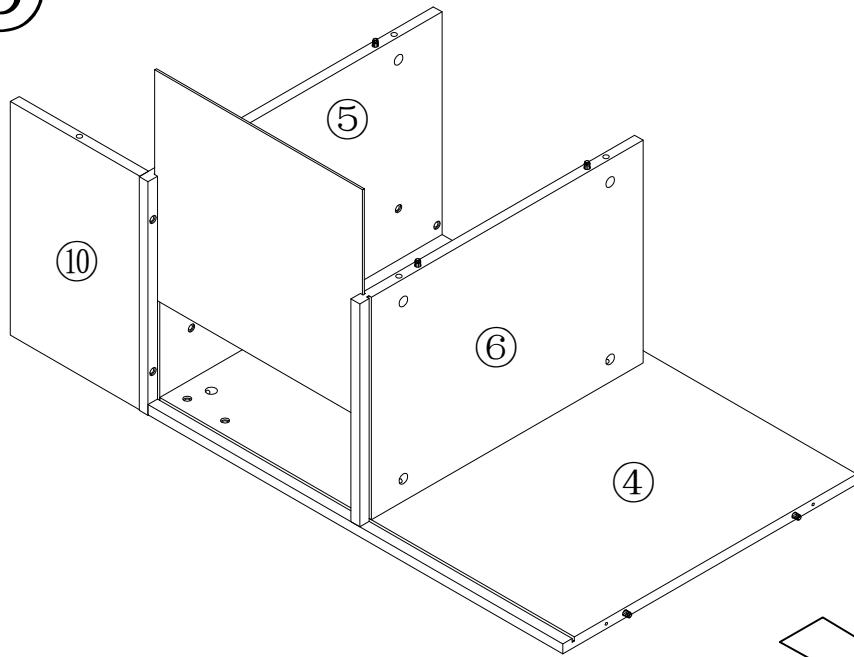


Make sure the arrow on the screw align to the hole on the side.

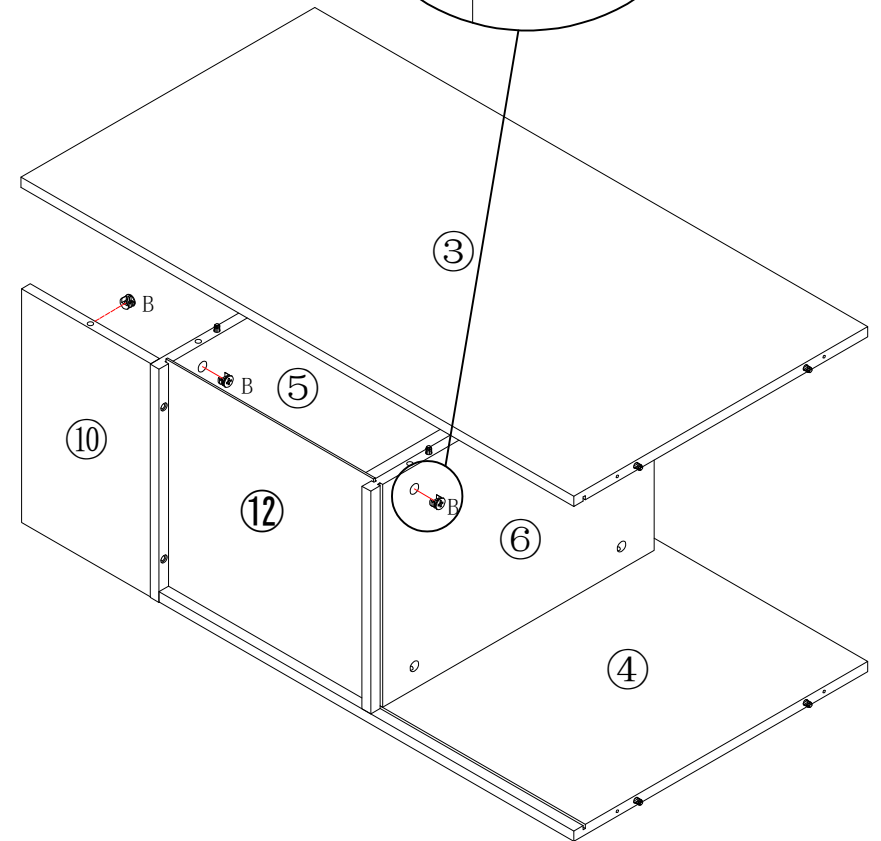
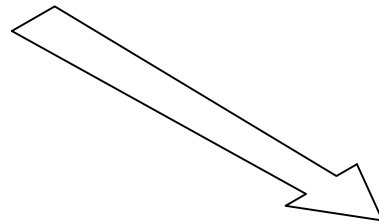
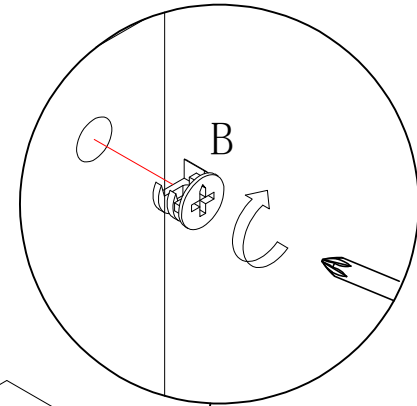
	B*4
	D*5

put B on board ④⑥

5

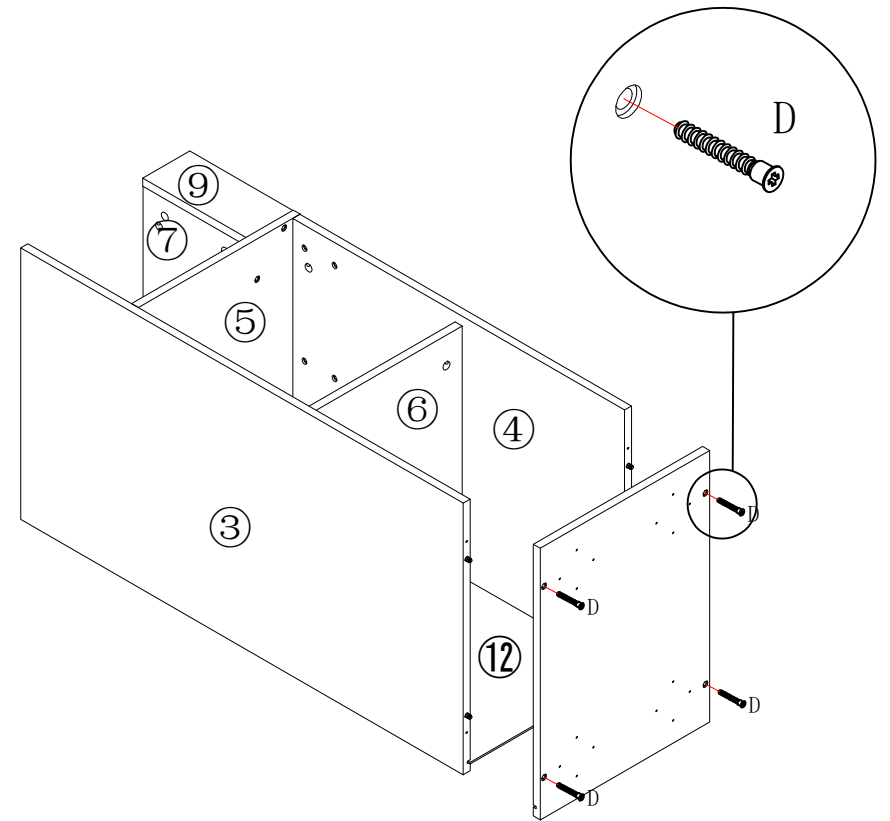
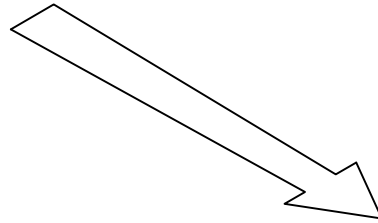
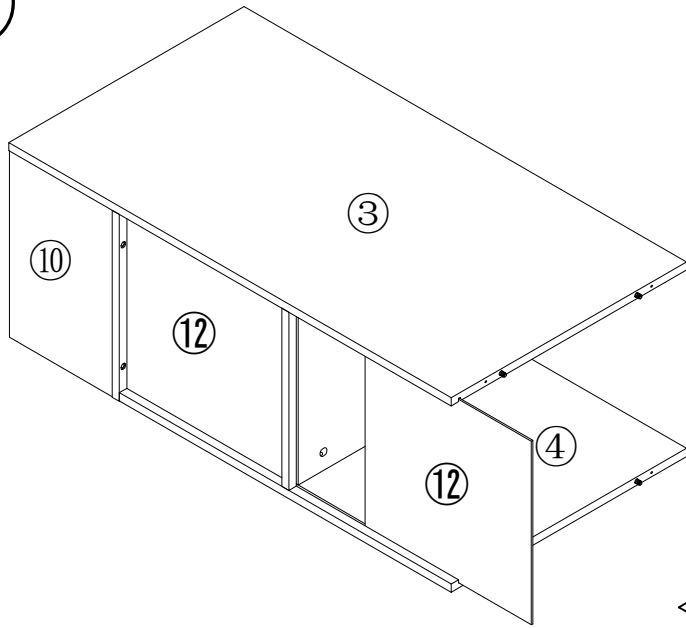


Make sure the arrow on the screw align to the hole on the side.



B*5 put B on board 4 6

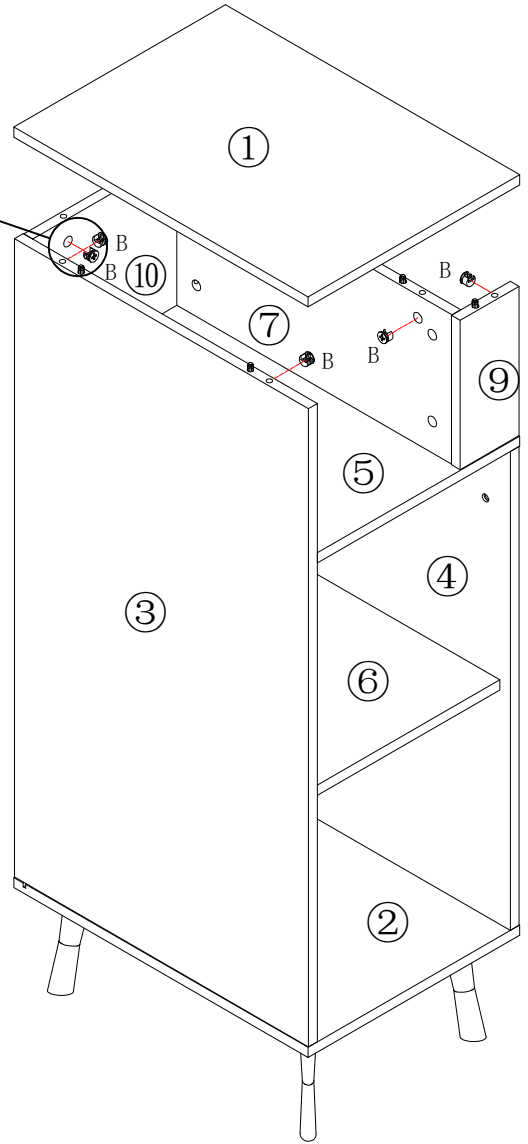
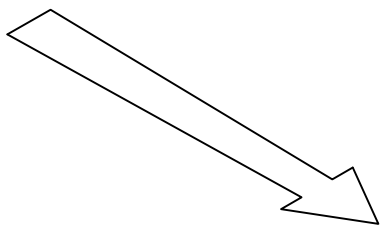
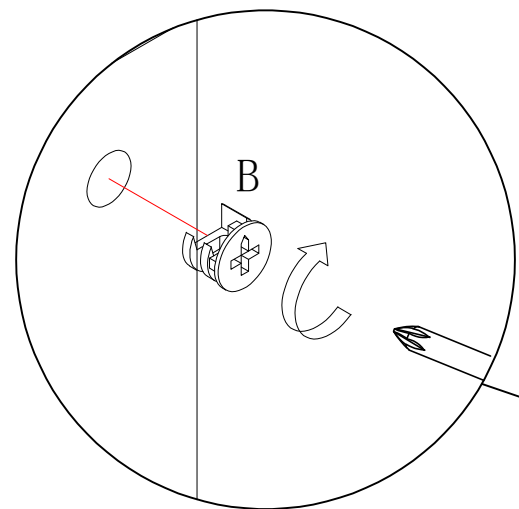
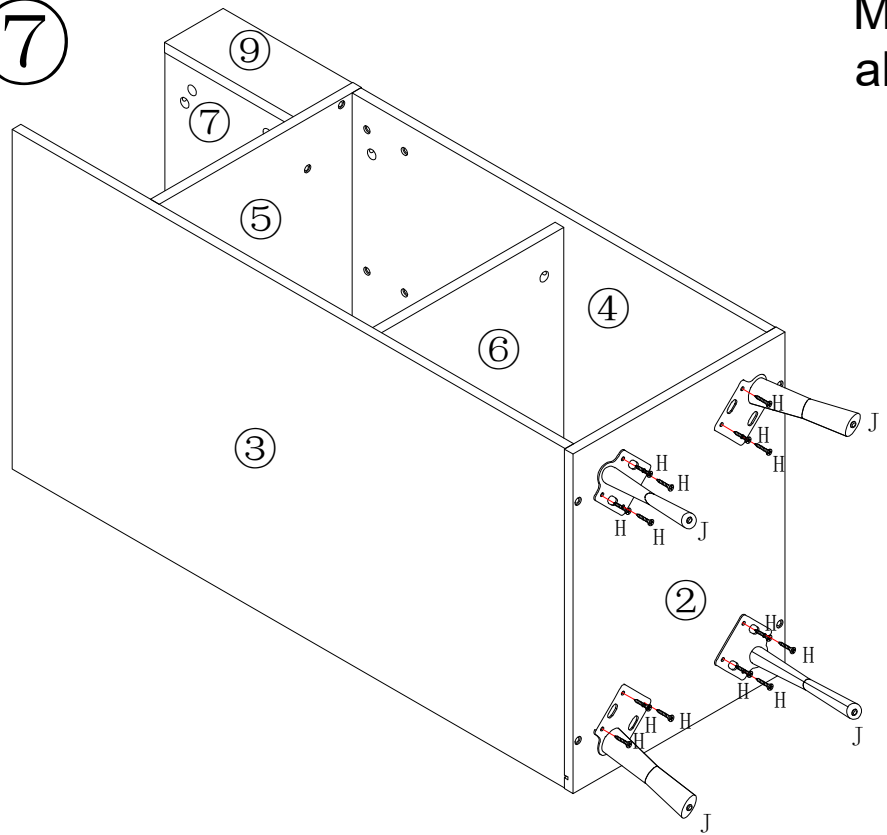
6






D*4

7

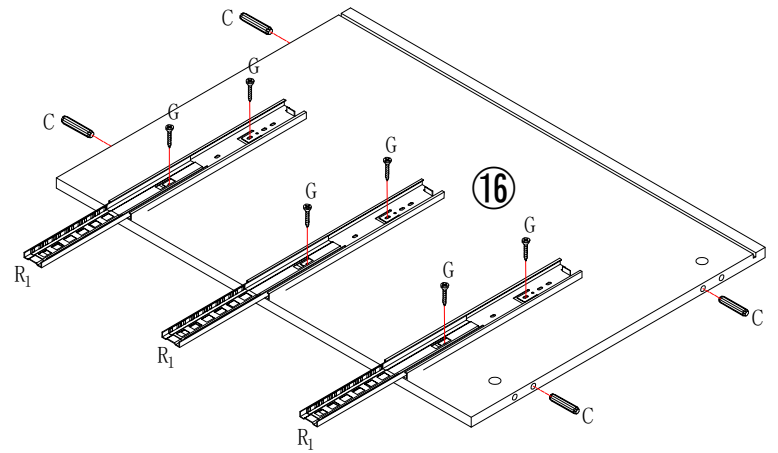
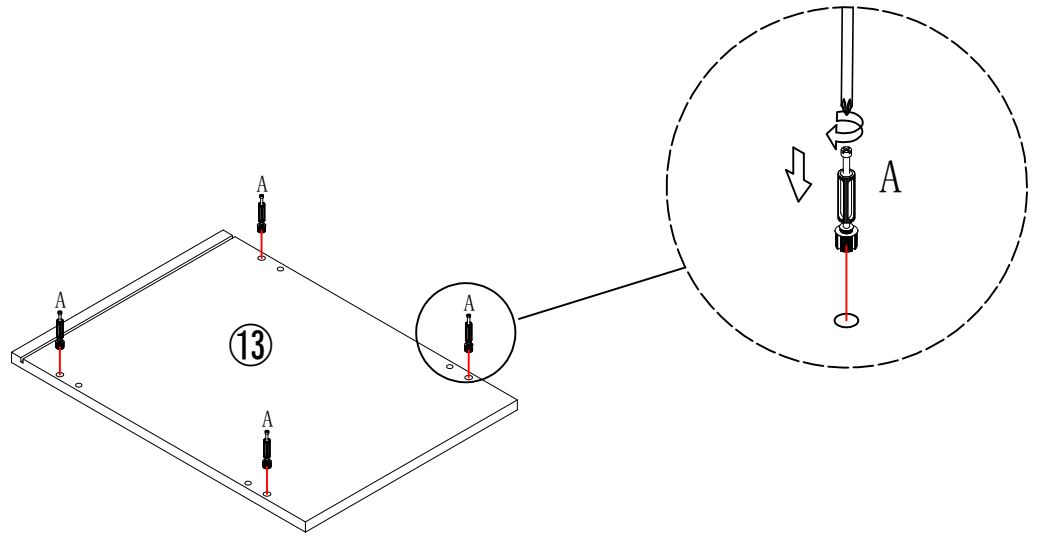
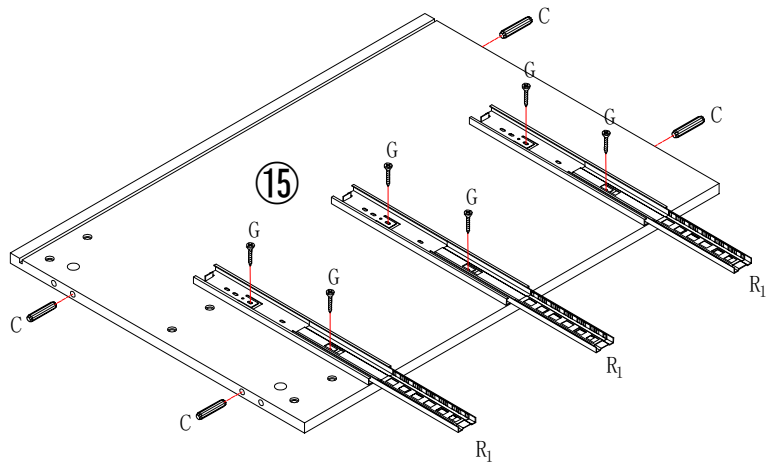
Make sure the arrow on the screw align to the hole on the side.


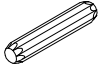




	B*7
	H*16
	J*4

put B on board ③⑦⑨⑩

8

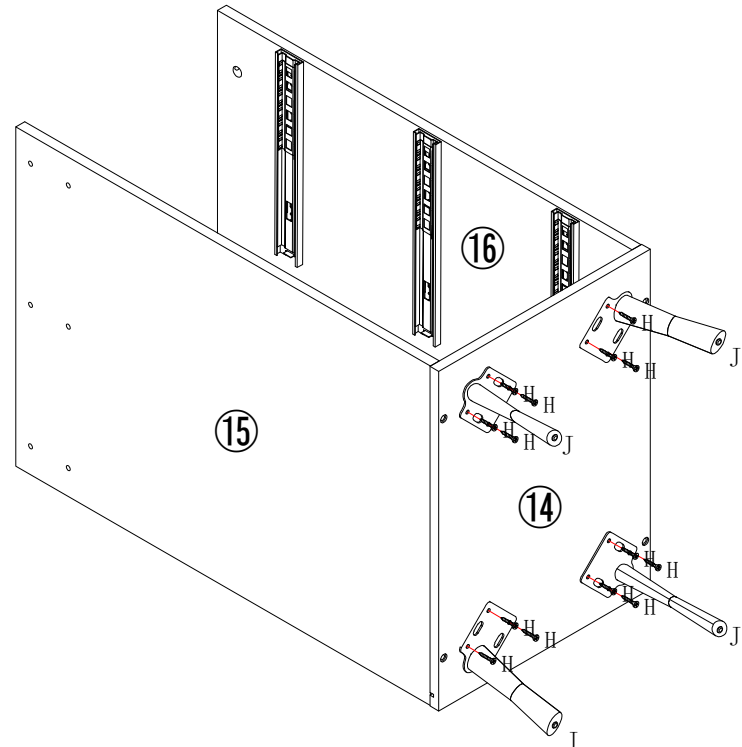
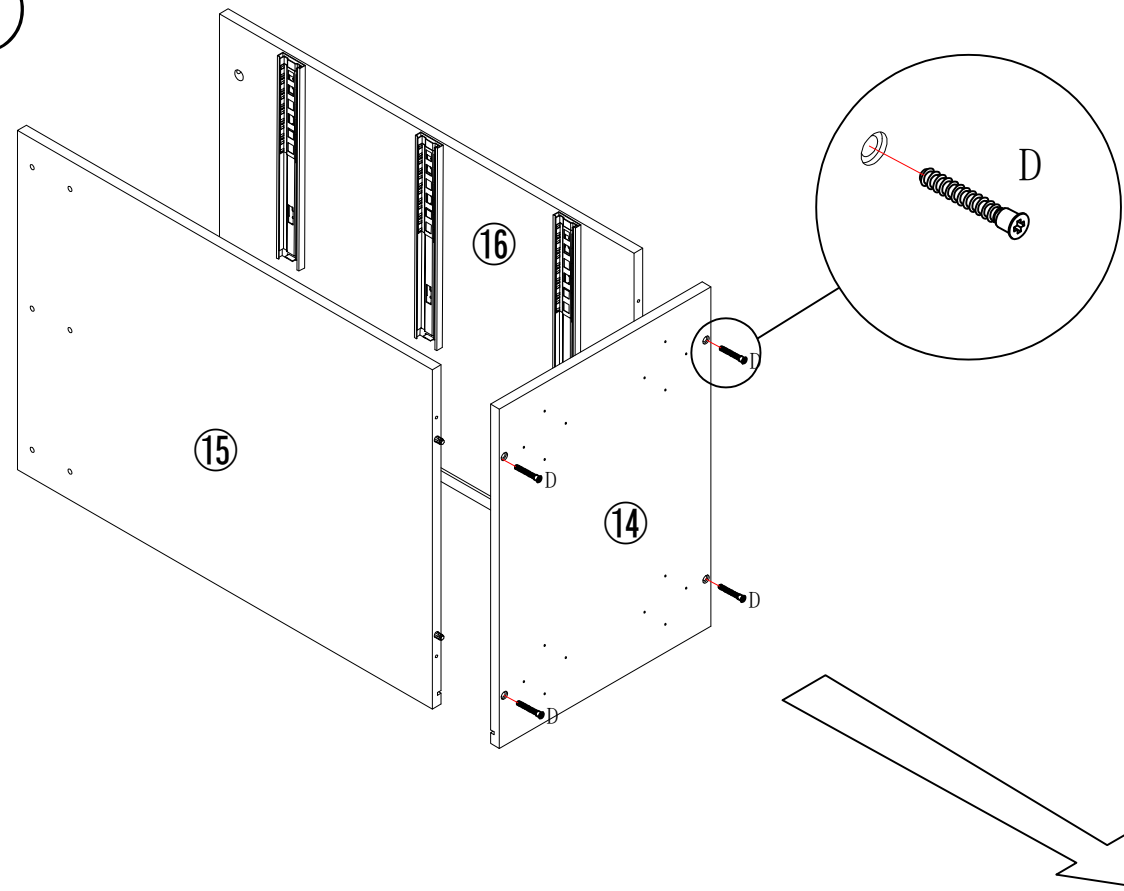



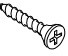

	A*4
	C*8
	G*12
	R ₁ *6

put A on board 13 15 16

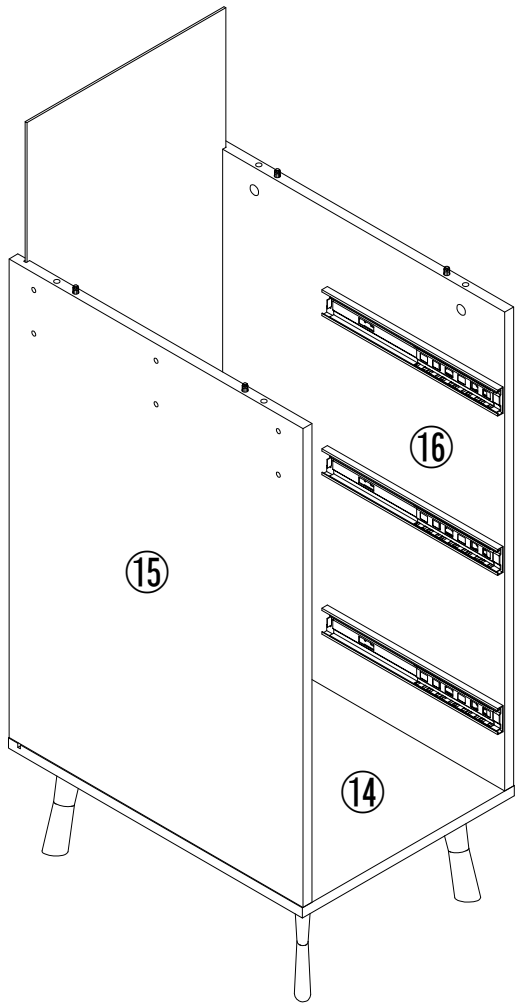
put C on board 15 16

9

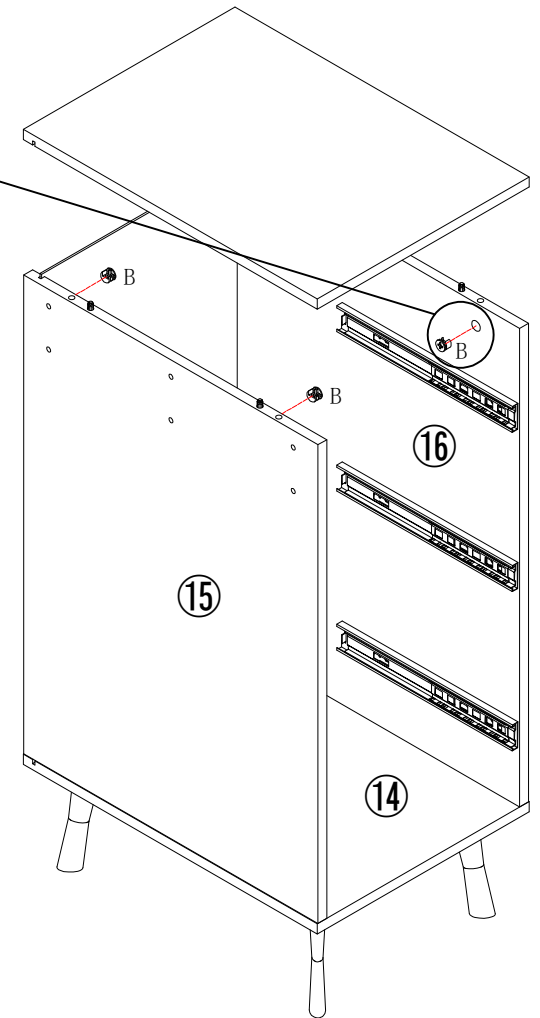
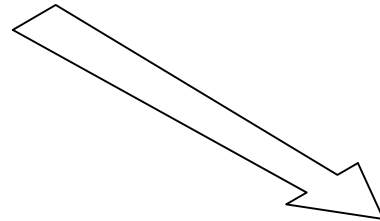
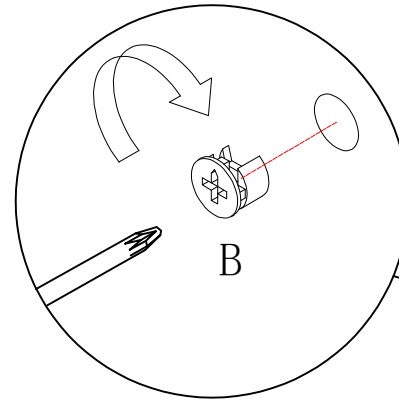


	D*4
	H*16
	J*4

10

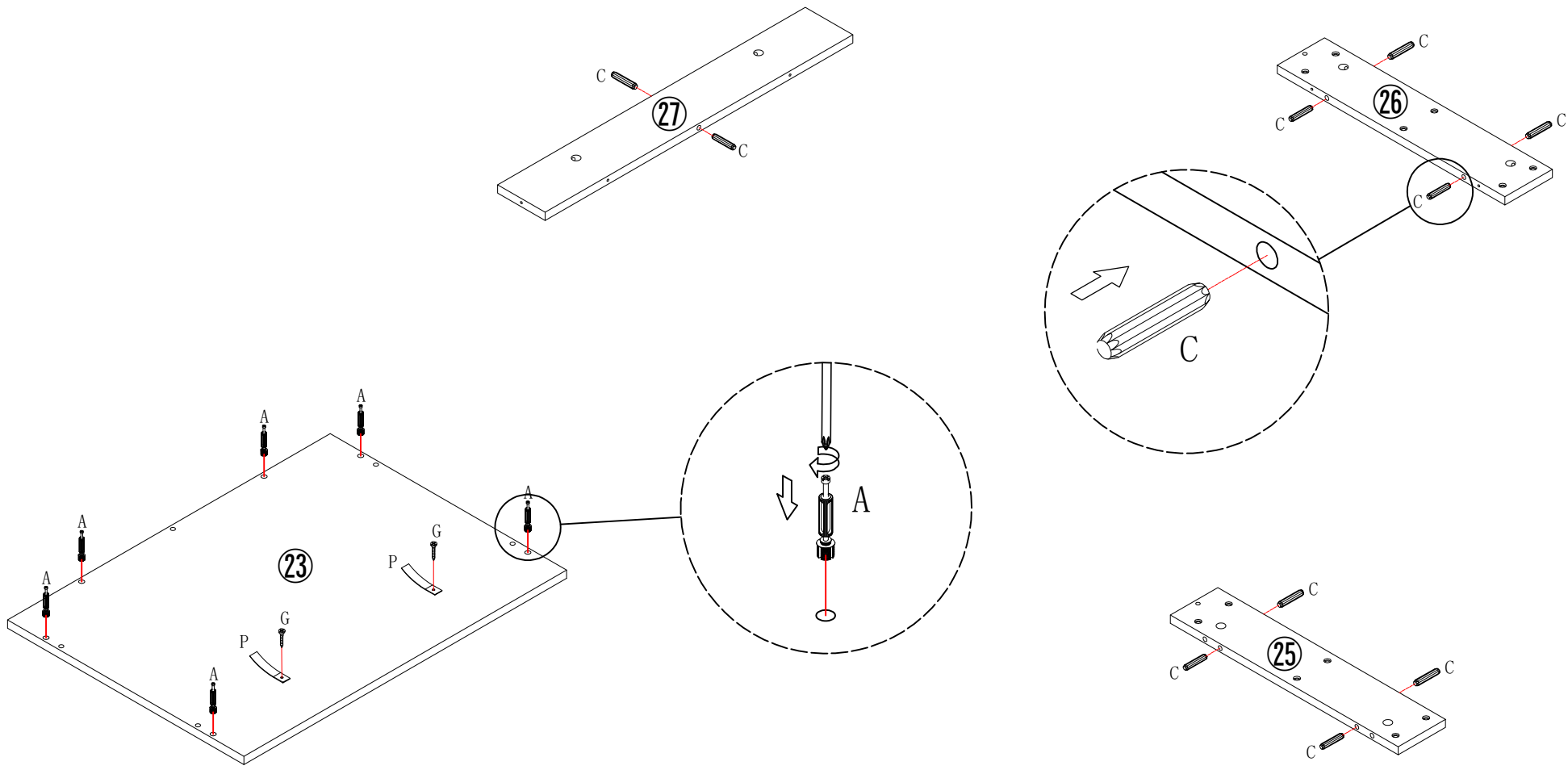






Make sure the arrow on the screw align to the hole on the side.



B*4 put B on board 15 16

11

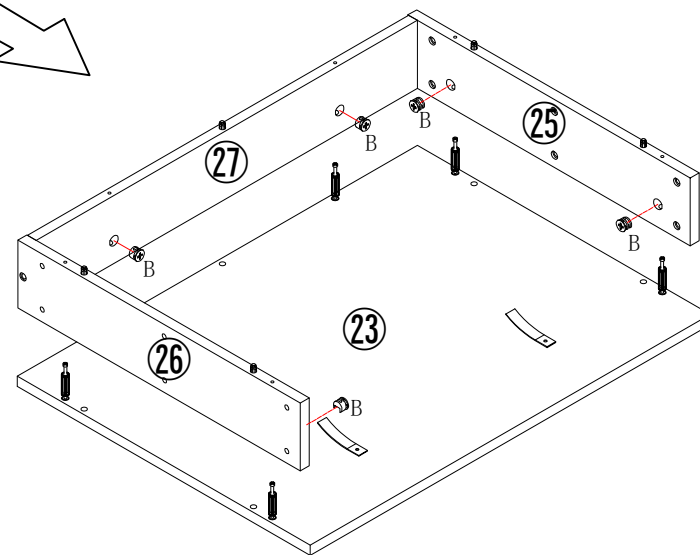
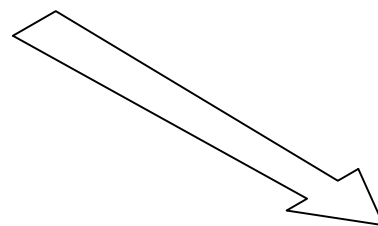
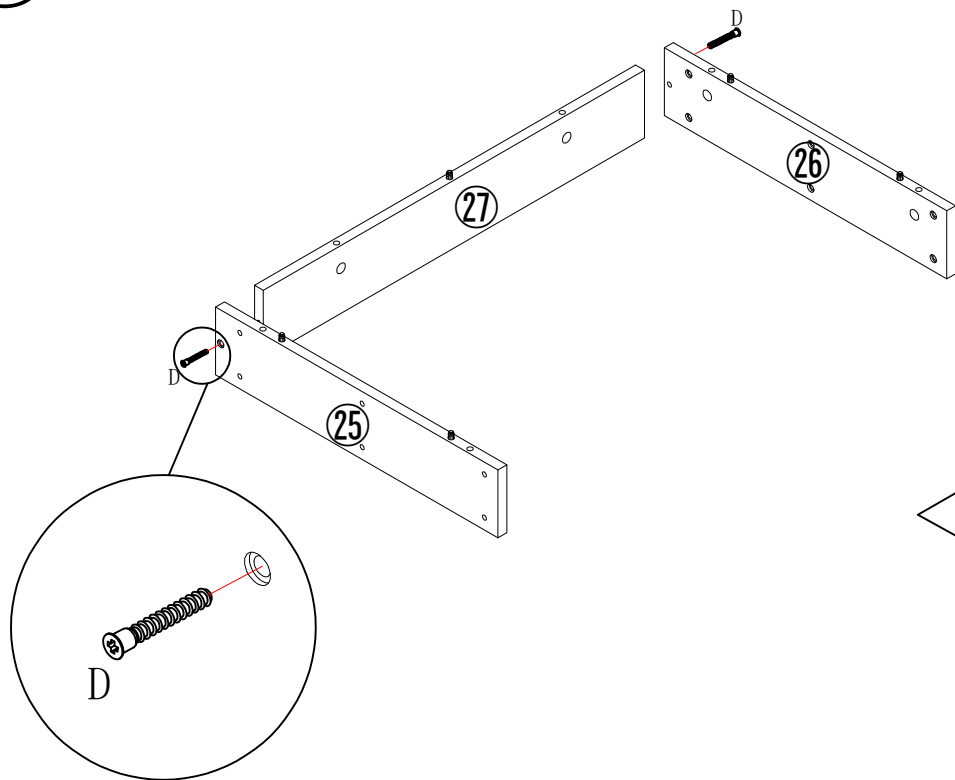


	A*6
	C*10
	G*2
	P*2

put A on board 23

put C on board 25 26 27

12



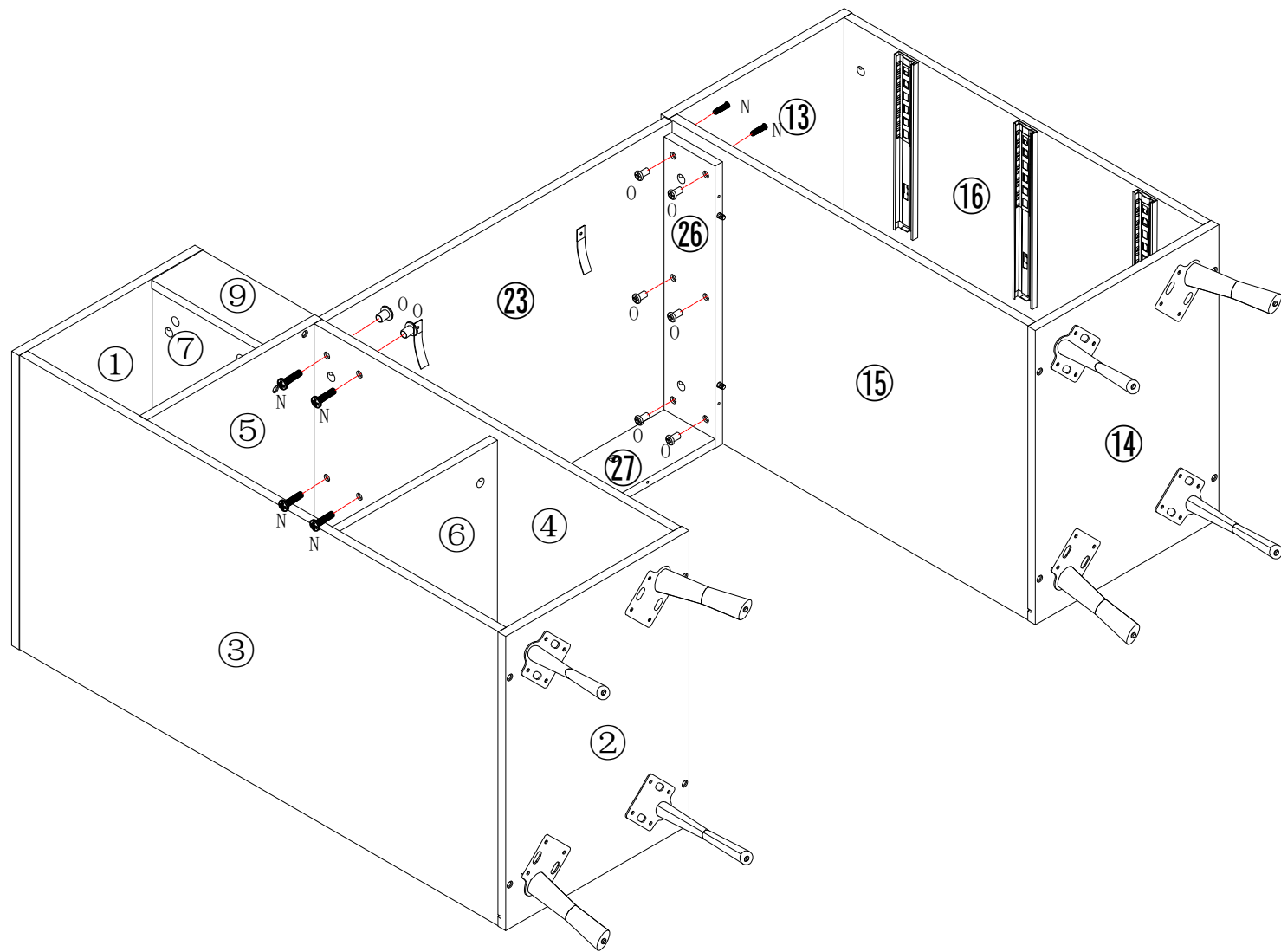
B*6

put B on board 25 26 27



D*2

13

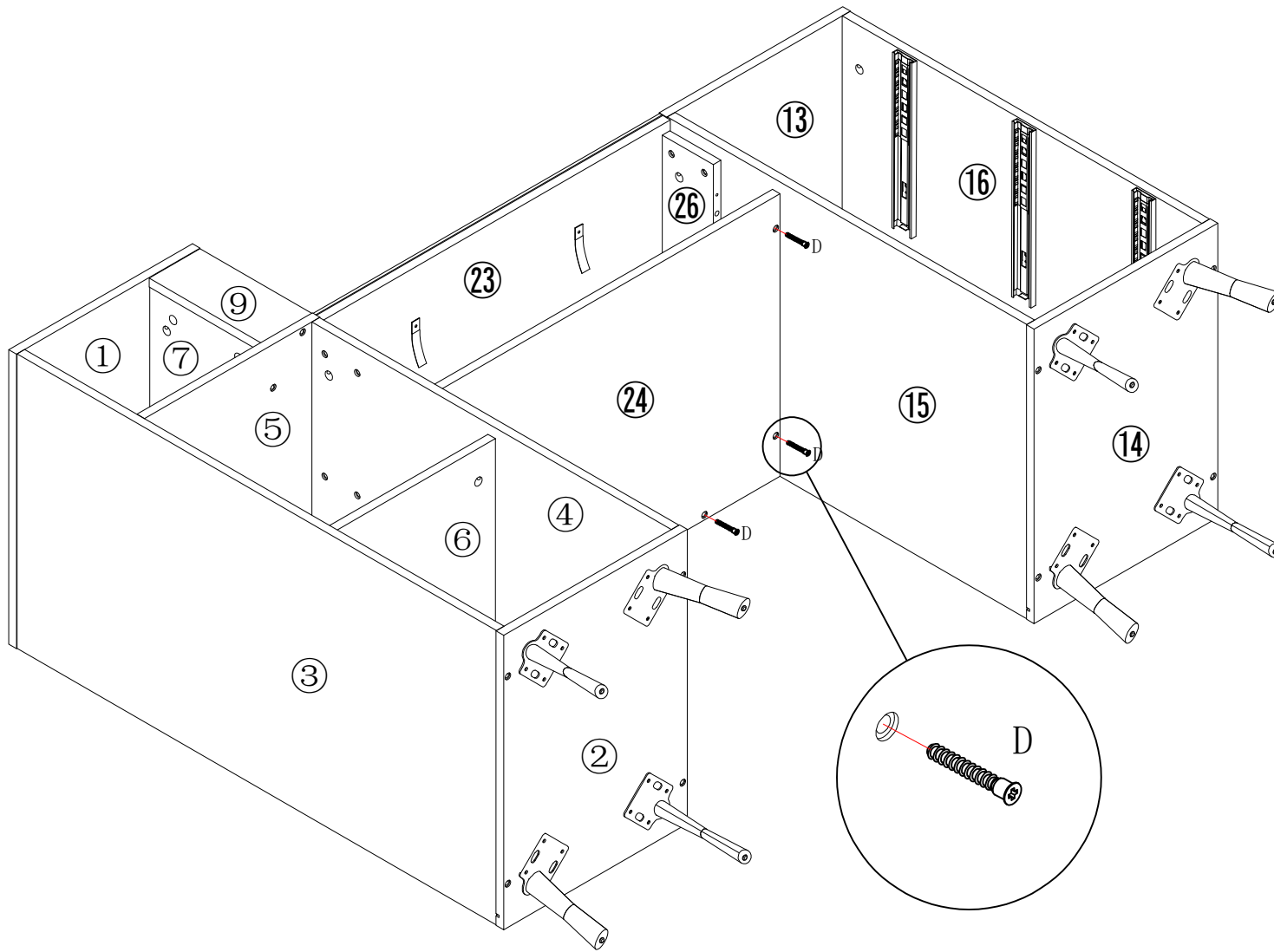


N*12



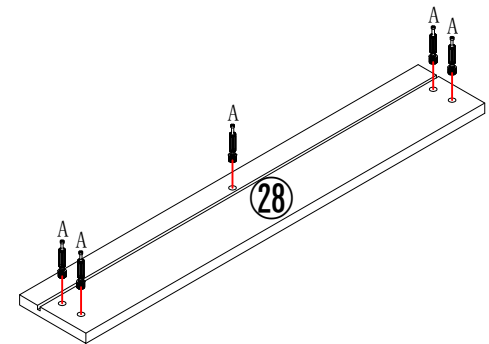
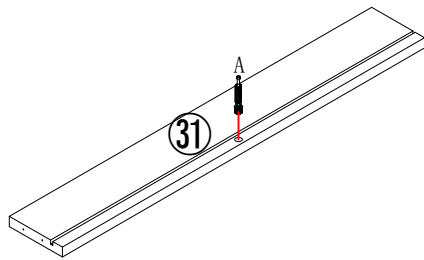
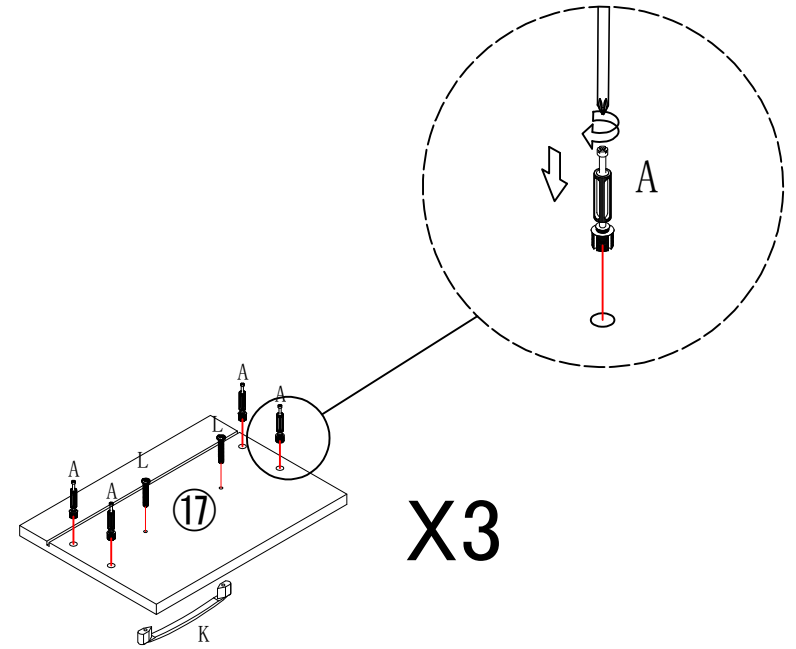
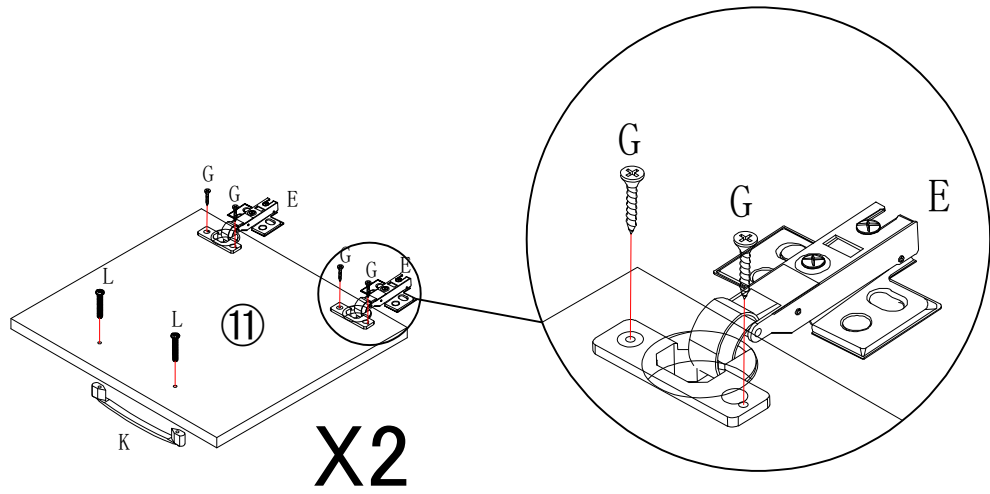
0*12




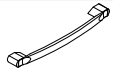

14



D*6

15

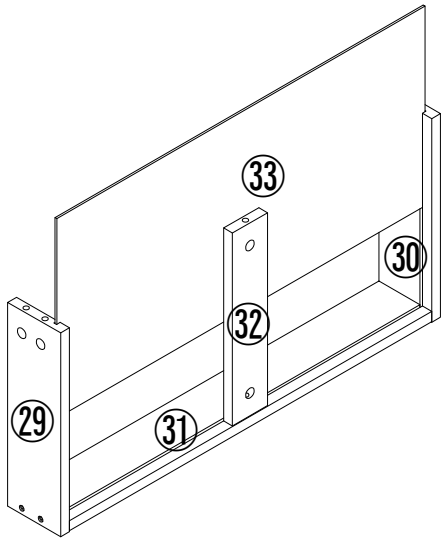
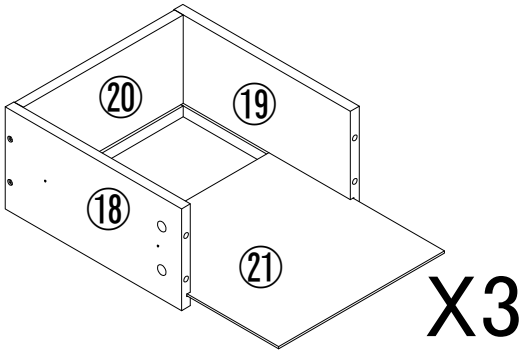
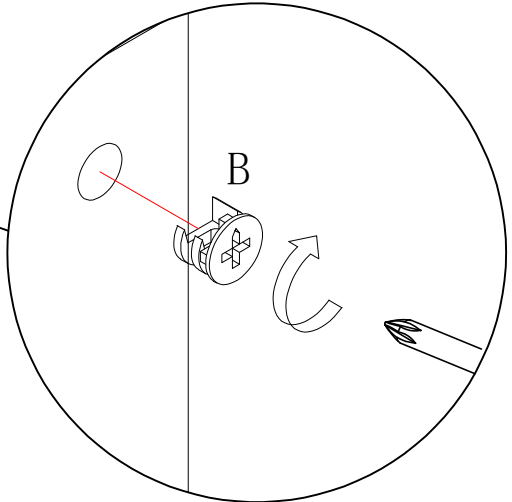
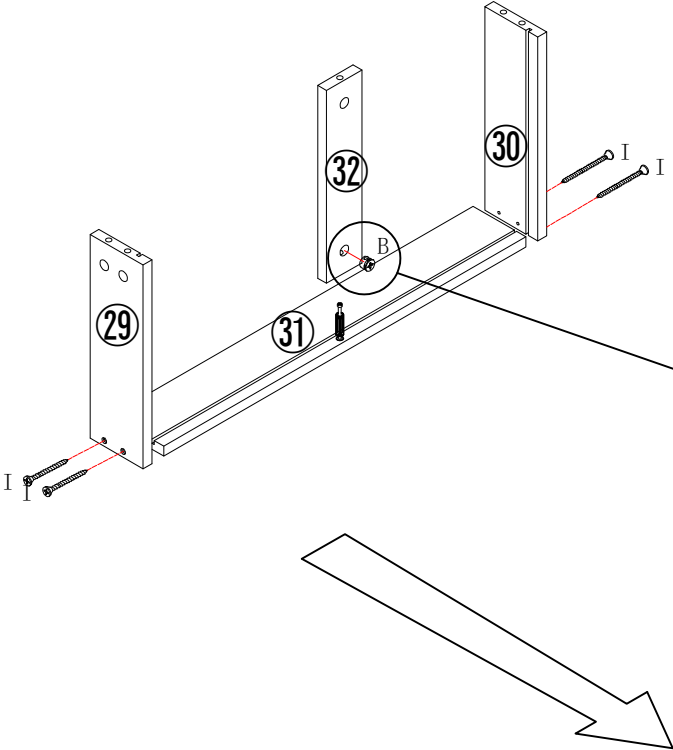
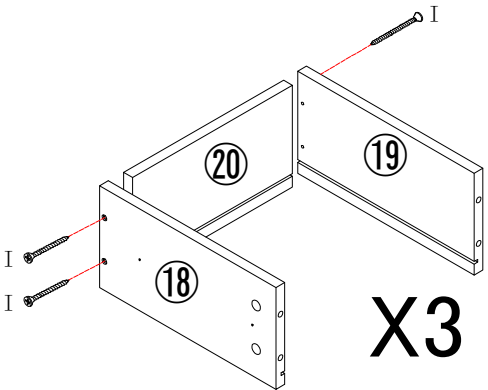



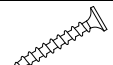
	A*18
	E*4
	G*8
	K*5
	L*10

put A on board 17 28

16

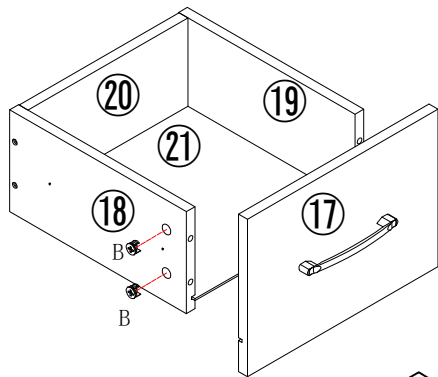
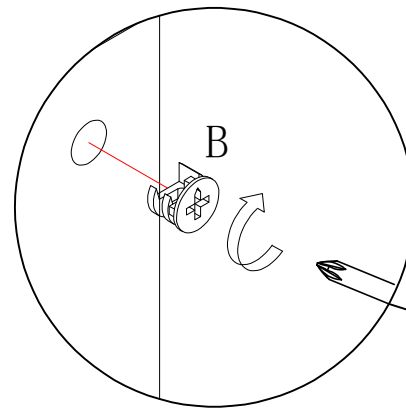
Make sure the arrow on the screw align to the hole on the side.



	B*1
	I*16

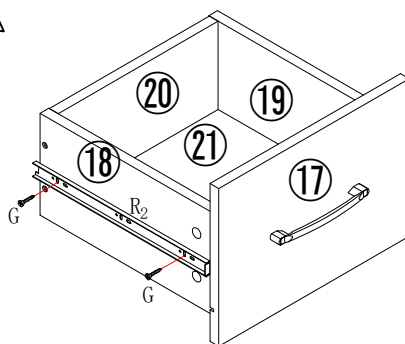
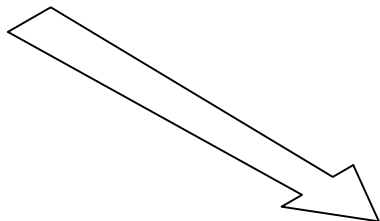
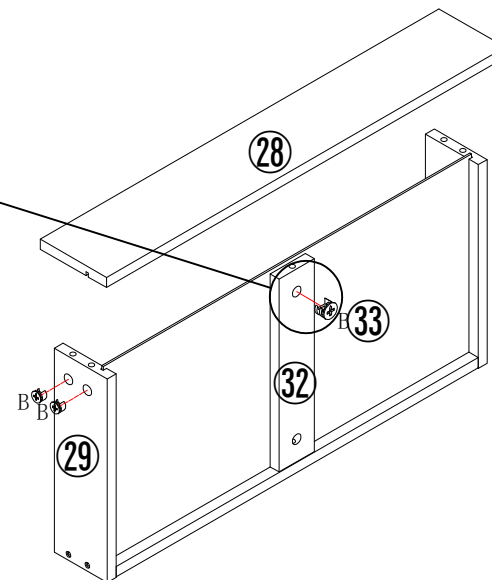
put B on board 32

17



X3

Make sure the arrow on the screw align to the hole on the side.



X3



B*17

put B on board 11 12 14

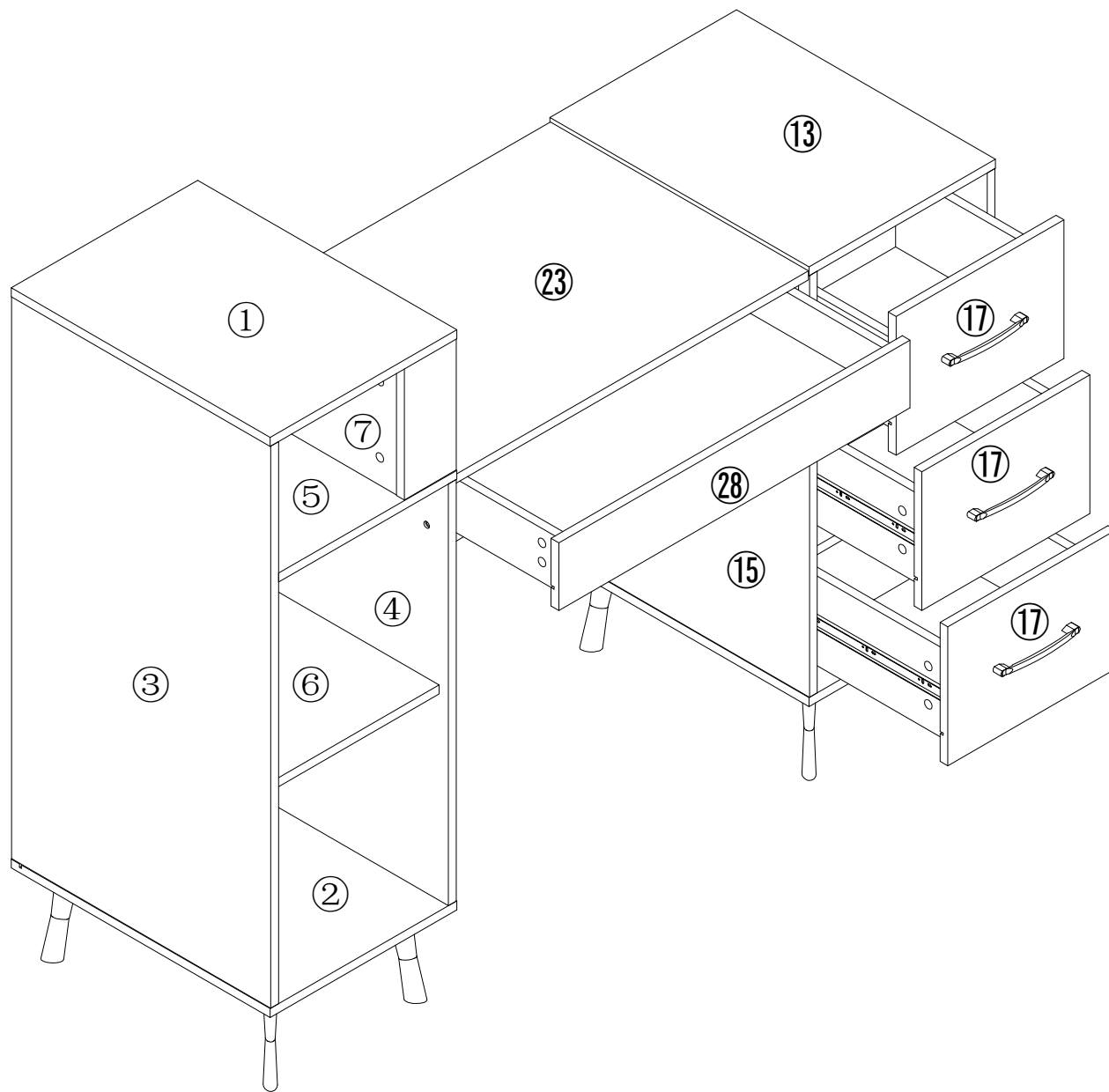


G*12

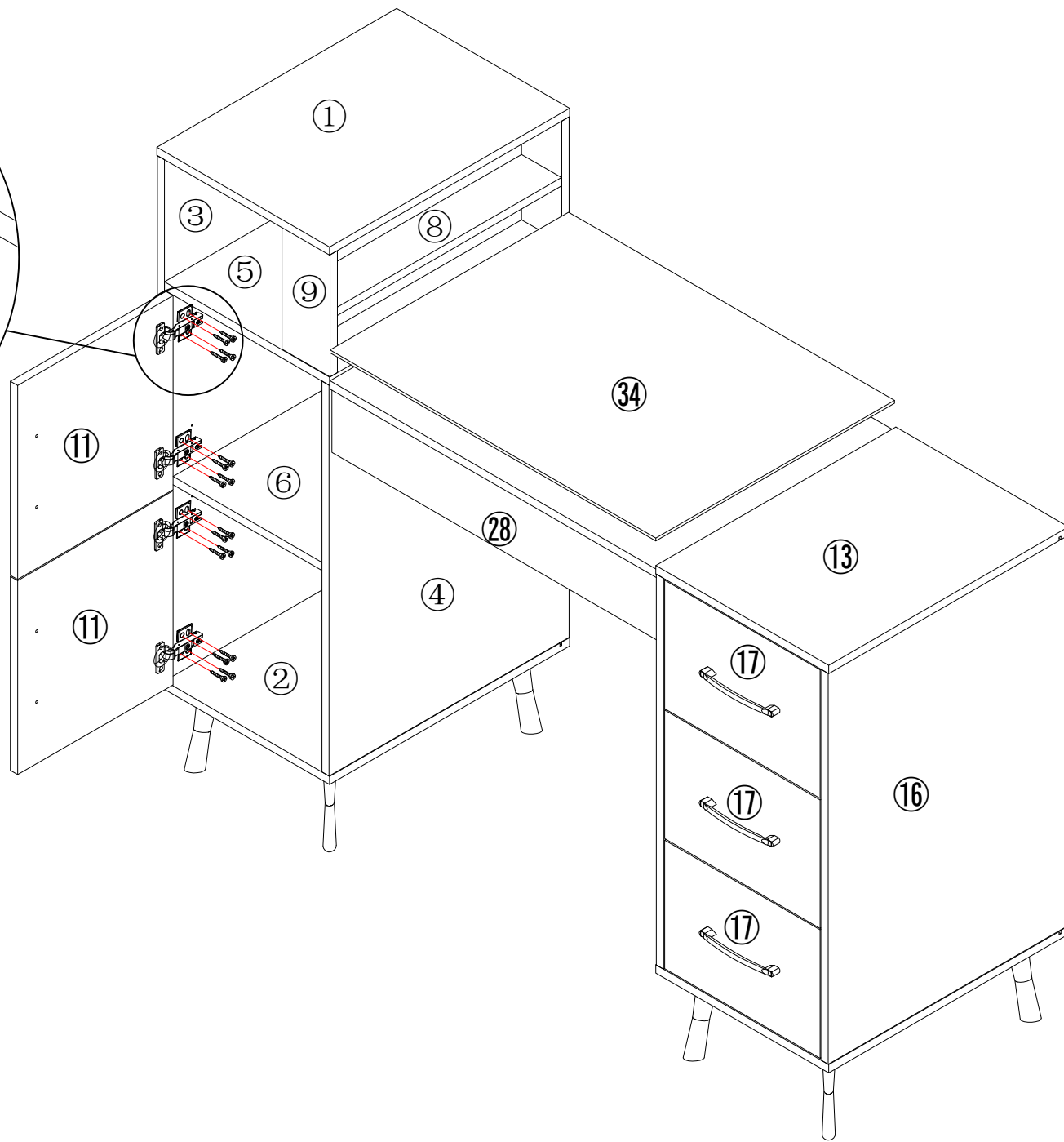
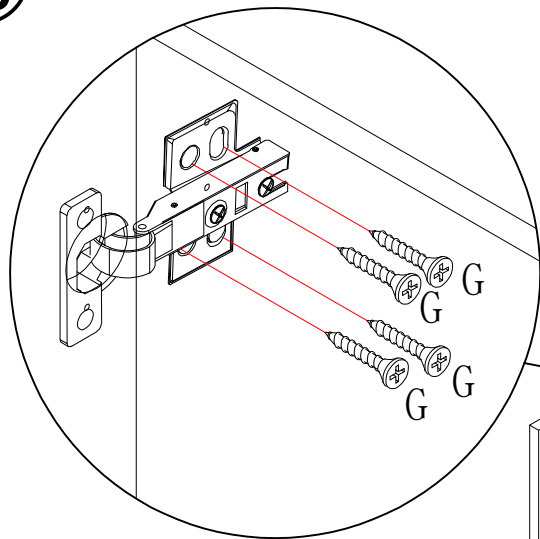
R₂*6



18

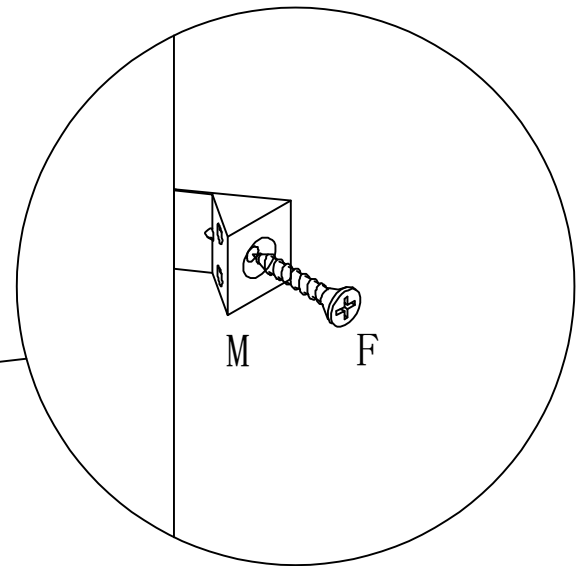
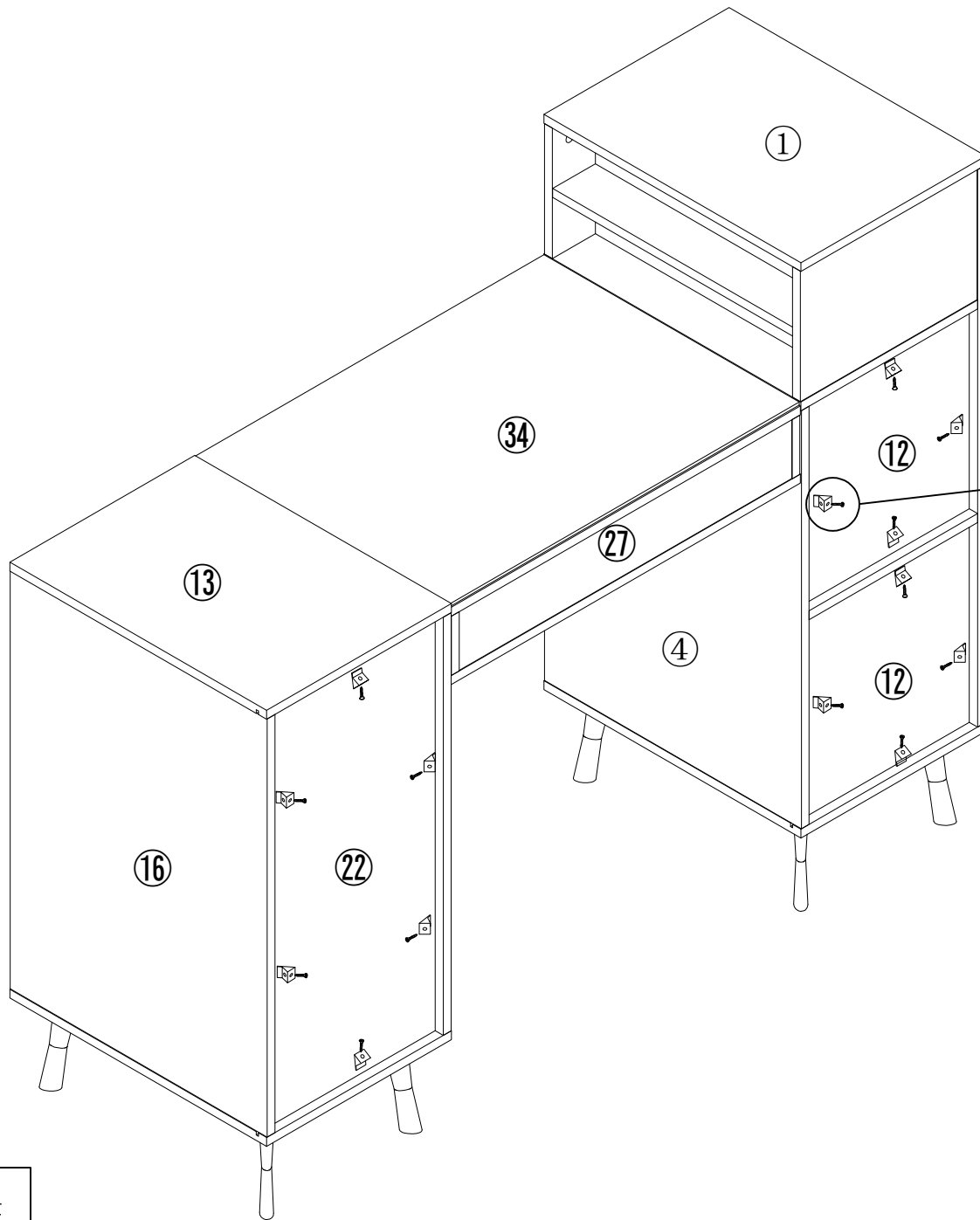


19



G*16

20

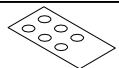
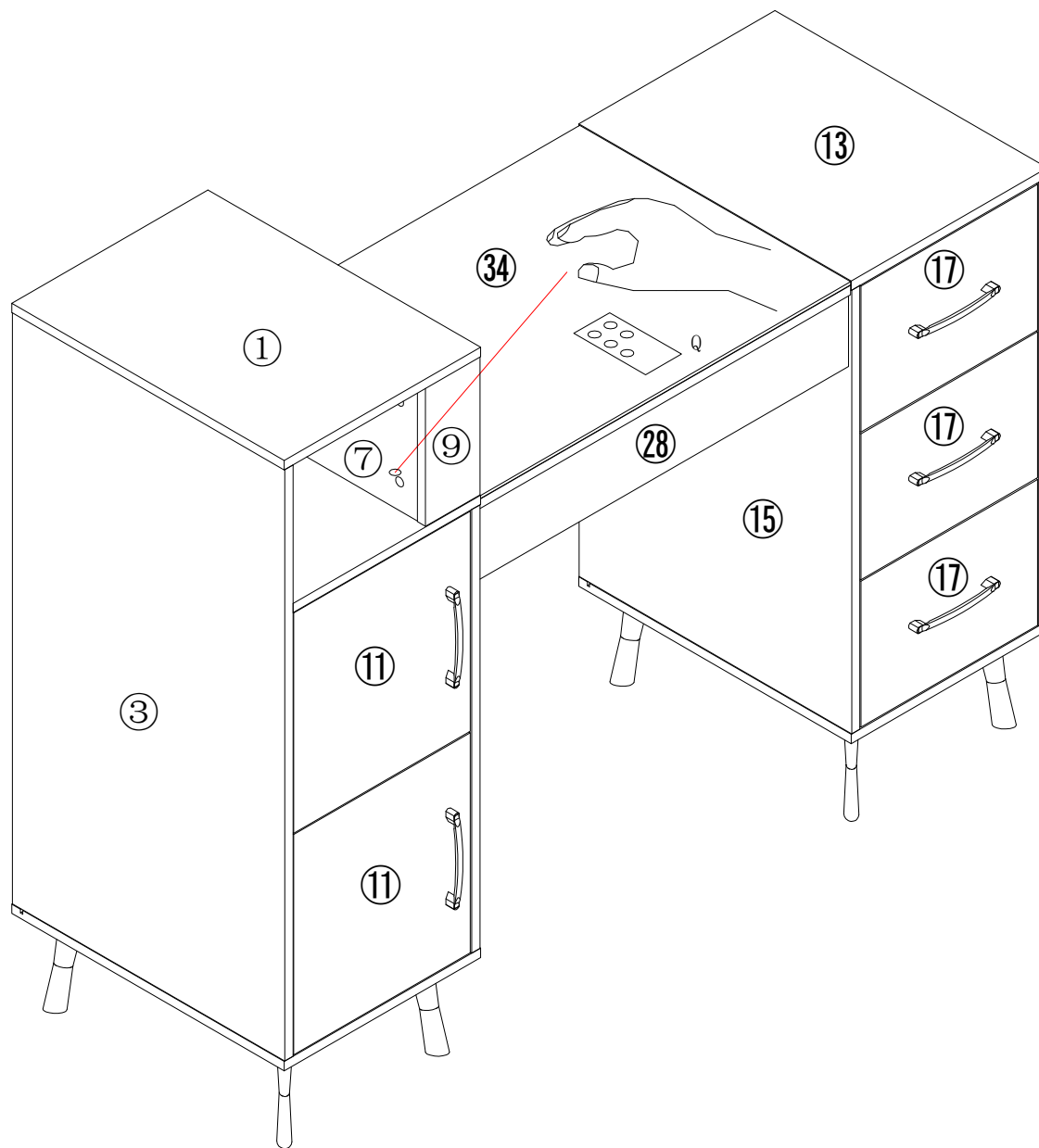


F*14



M*14

21



Q*10

