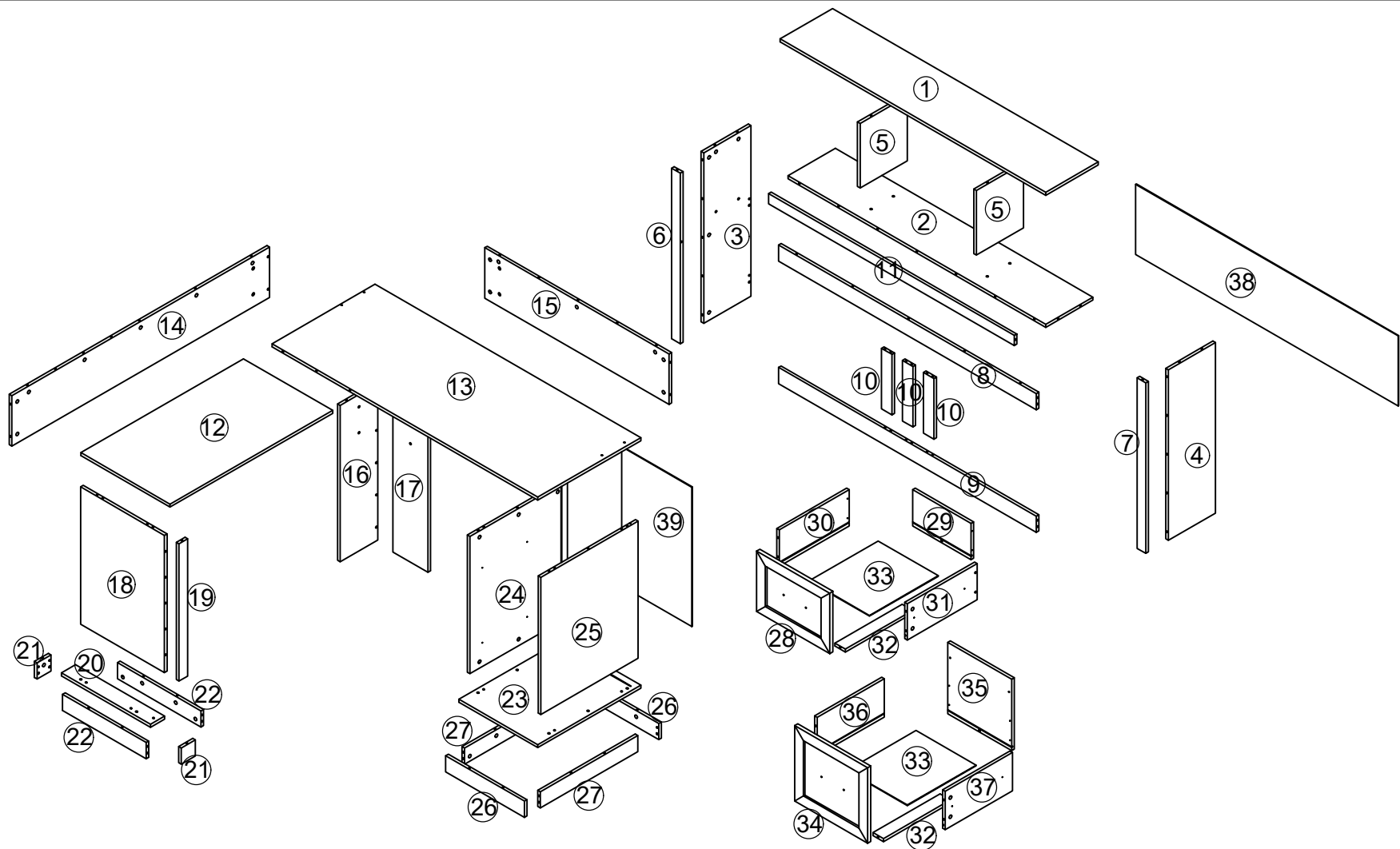


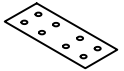

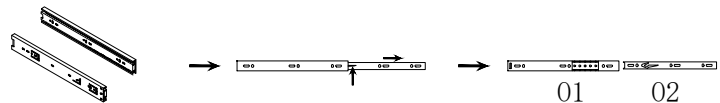
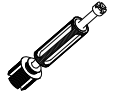

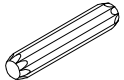
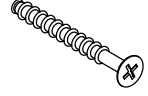

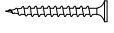



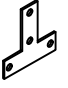
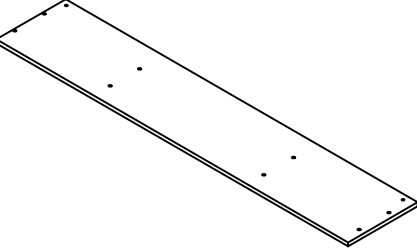
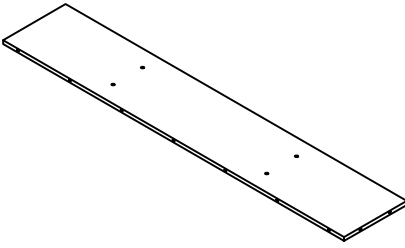
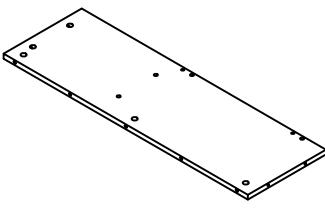
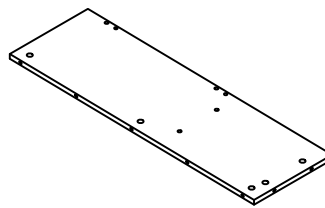
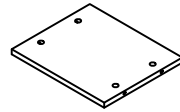
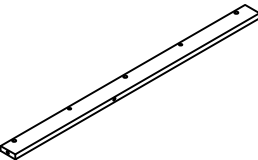
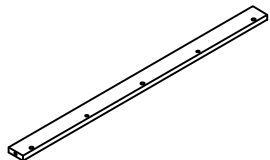
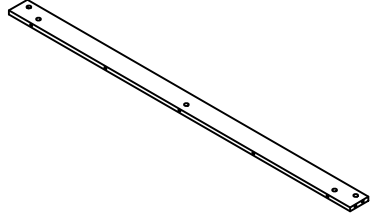
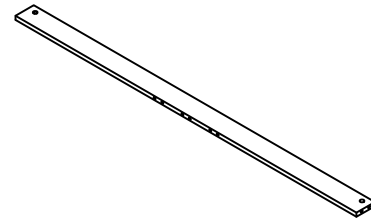
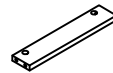
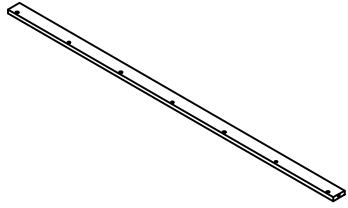
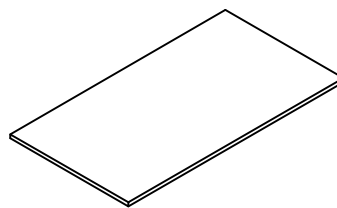
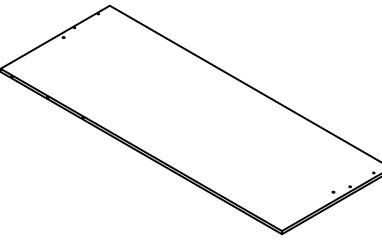
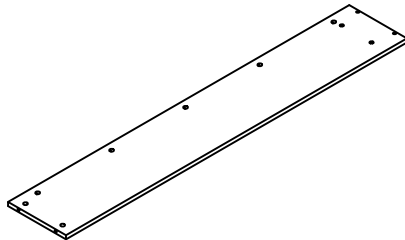
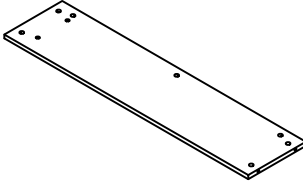
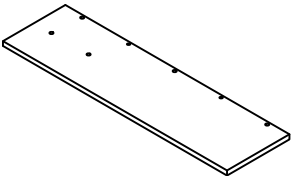
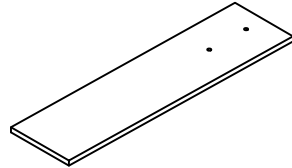
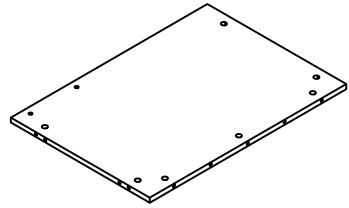
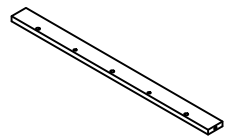
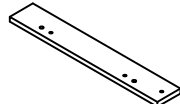


JMY2208121



K 128mm  2PCS	L 4*12  4PCS	M  2PCS	N  39PCS	O  400mm 2PCS					
A  113PCS	B  113PCS	C 8*40  58PCS	D 7*50  4PCS	E 3.5*14  40PCS	F 3.5*35  8PCS	G  28PCS	H 6*20  4PCS	I 400mm  2PCS	J  2PCS

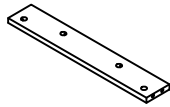
<p>1</p>  <p>1520*300 1PS</p>	<p>2</p>  <p>1474*270 1PS</p>	<p>3</p>  <p>845*270 1PS</p>	<p>4</p>  <p>845*270 1PS</p>	<p>5</p>  <p>320*270 2PS</p>
<p>6</p>  <p>845*50 1PS</p>	<p>7</p>  <p>845*50 1PS</p>	<p>8</p>  <p>1474*80 1PS</p>	<p>9</p>  <p>1474*80 1PS</p>	<p>10</p>  <p>300*60 3PS</p>
<p>11</p>  <p>1406*50 1PS</p>	<p>12</p>  <p>930*510 1PS</p>	<p>13</p>  <p>1520*590 1PS</p>	<p>14</p>  <p>1474*250 1PS</p>	<p>15</p>  <p>1054*250 1PS</p>
<p>16</p>  <p>775*216 1PS</p>	<p>17</p>  <p>775*200 1PS</p>	<p>18</p>  <p>680*480 1PS</p>	<p>19</p>  <p>680*50 1PS</p>	<p>20</p>  <p>80*510 1PS</p>

21



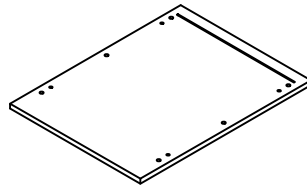
80*80 2PS

22



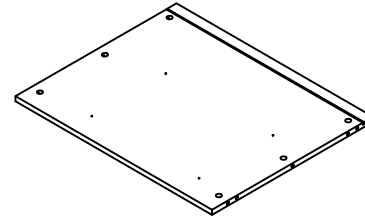
478*80 2PS

23



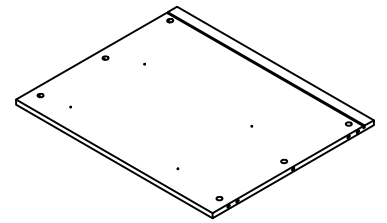
450*590 1PS

24



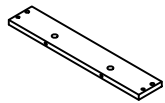
680*557 1PS

25



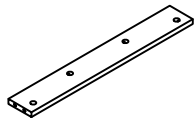
680*557 1PS

26



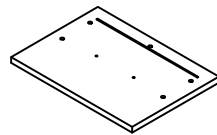
450*80 2PS

27



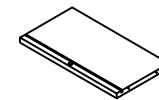
558*80 2PS

28



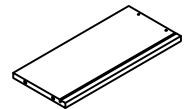
418*300 1PS

29



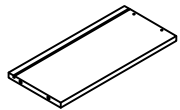
334*180 1PS

30



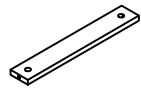
400*180 1PS

31



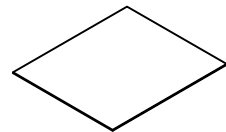
400*180 1PS

32



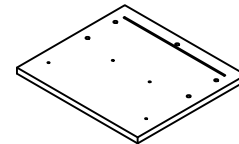
384*60 2PS

33



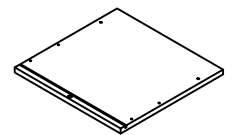
344*394 2PS

34



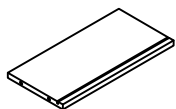
418*374 1PS

35



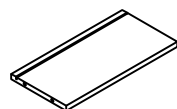
366*354 1PS

36



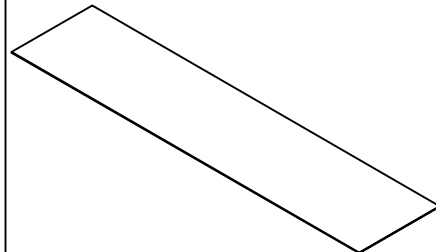
384*190 1PS

37



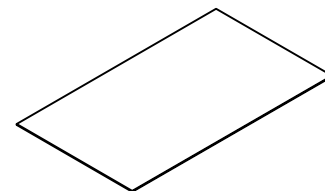
384*190 1PS

38



1502*348 1PS

39



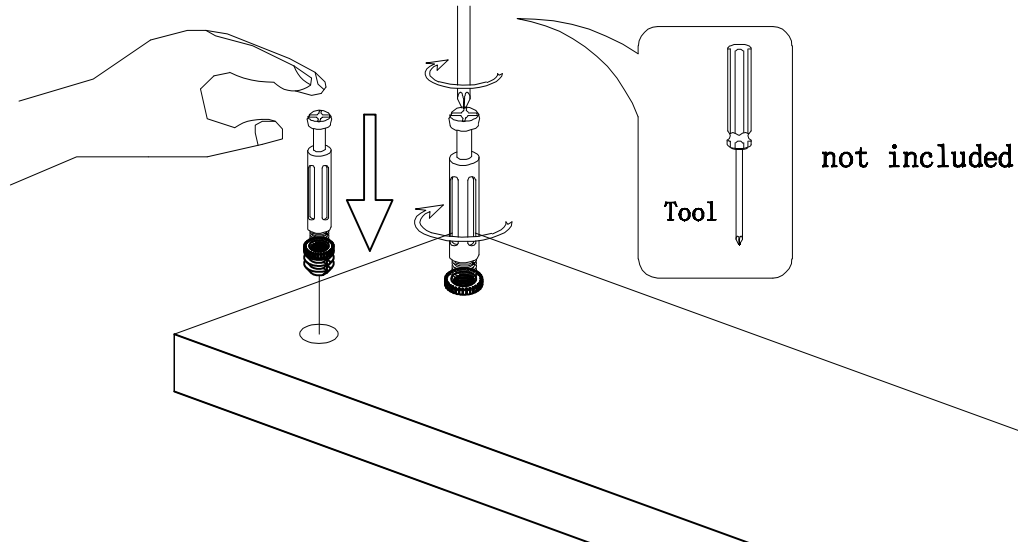
690*400 1PS



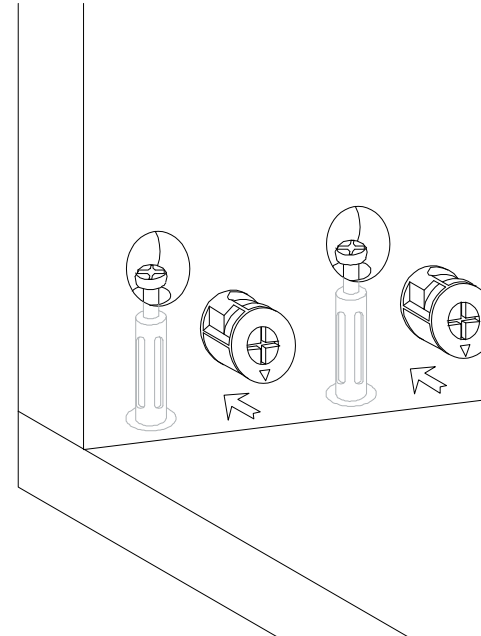
Hardware installation demonstration

NOTE: Please make sure "A" hardware tightened and can't be pulled out!

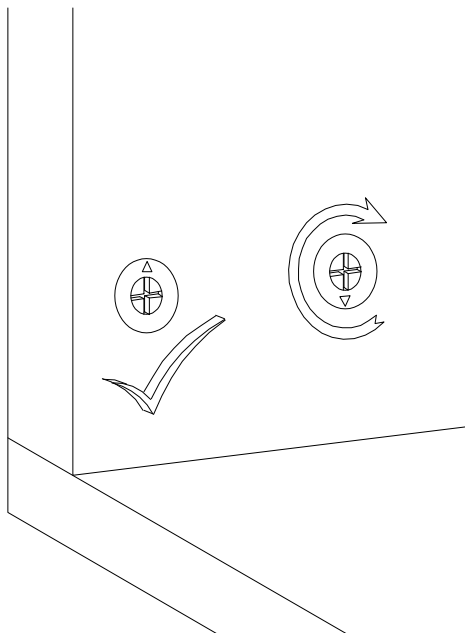
I



II



III

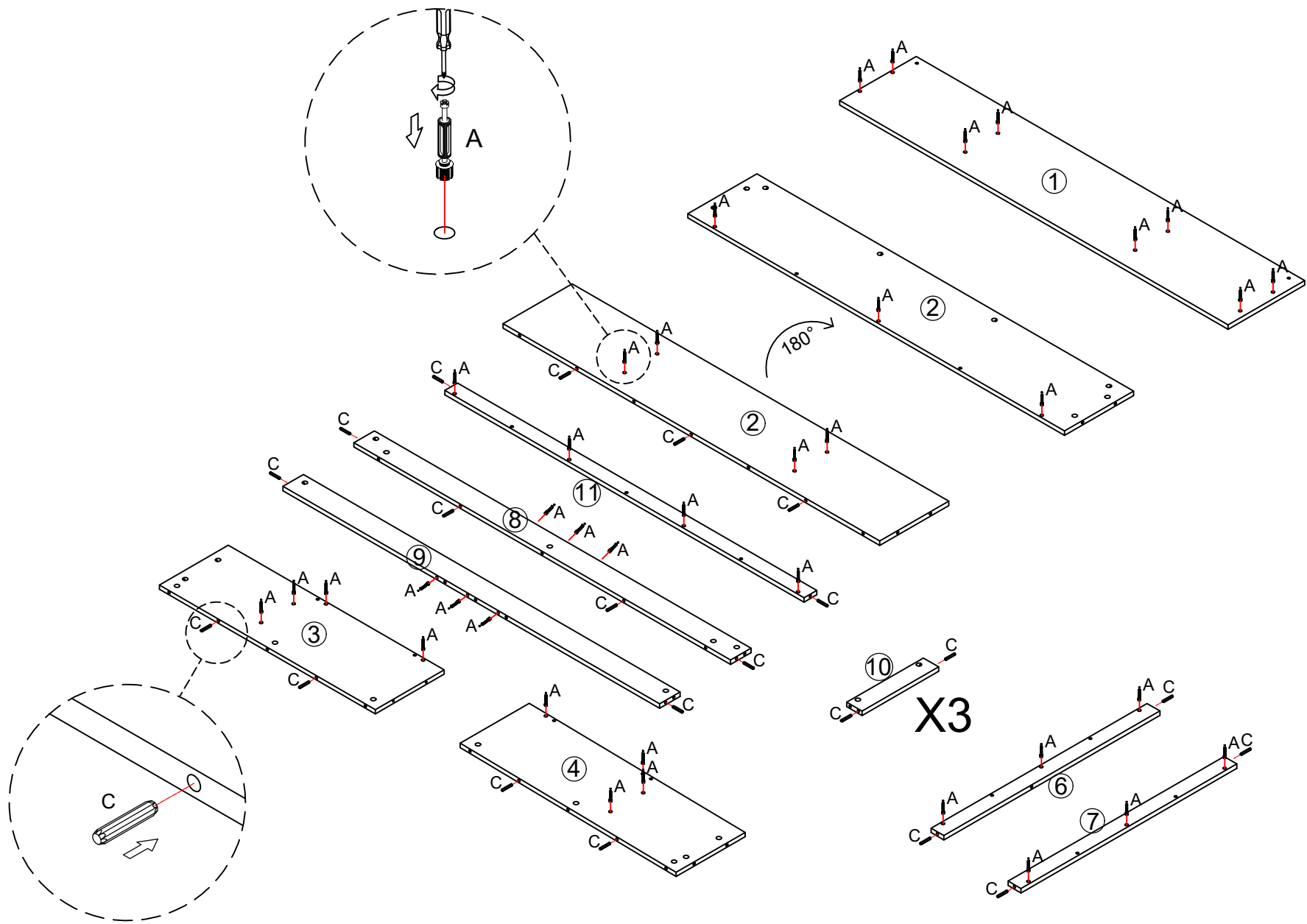



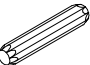
IV



Scan QR code for assembly video

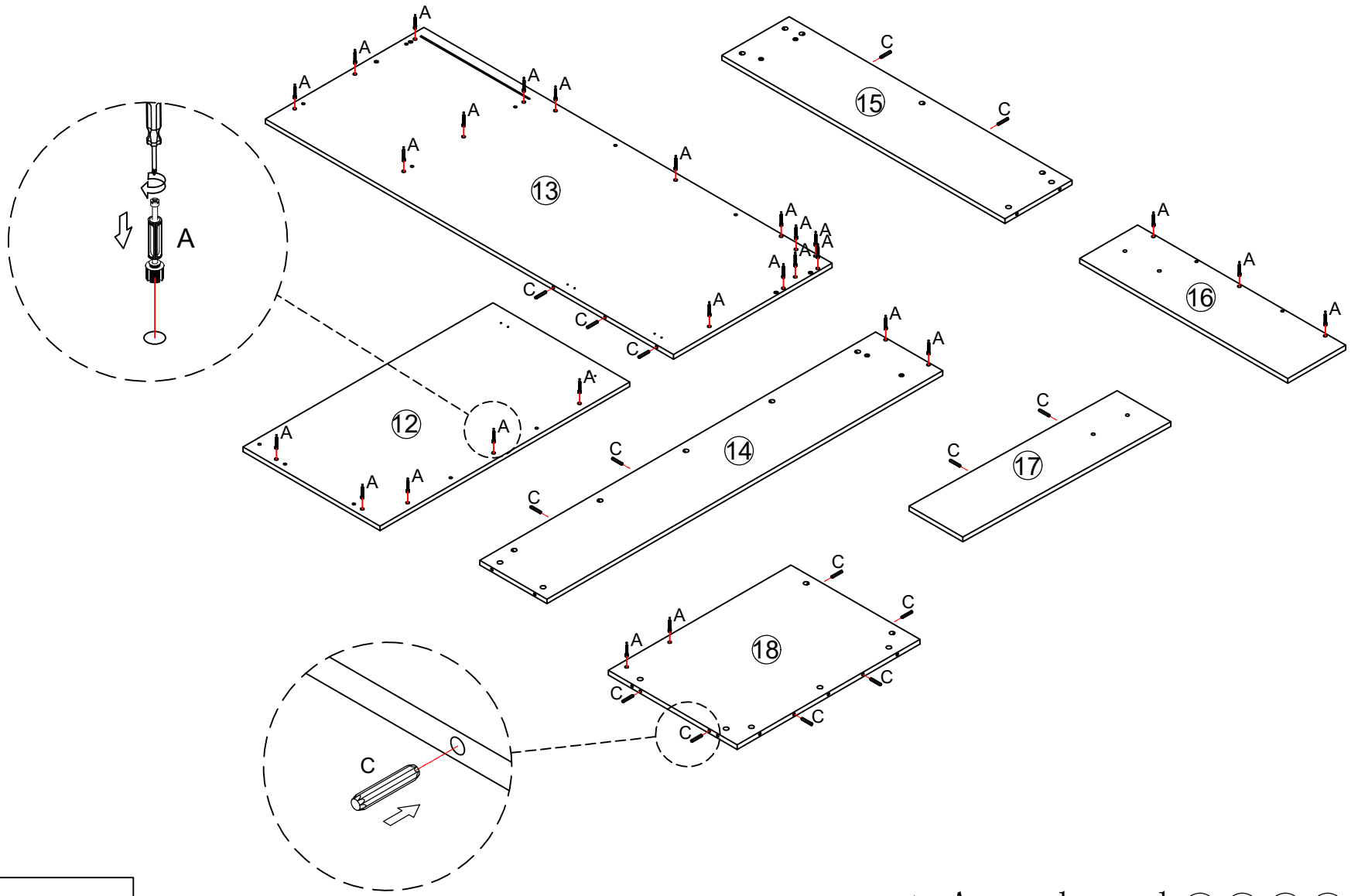
1


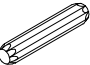


	A*39
	C*25

put A on board ①②③④⑥⑦⑧⑨⑪
put C on board ②③④⑥⑦⑧⑨⑪

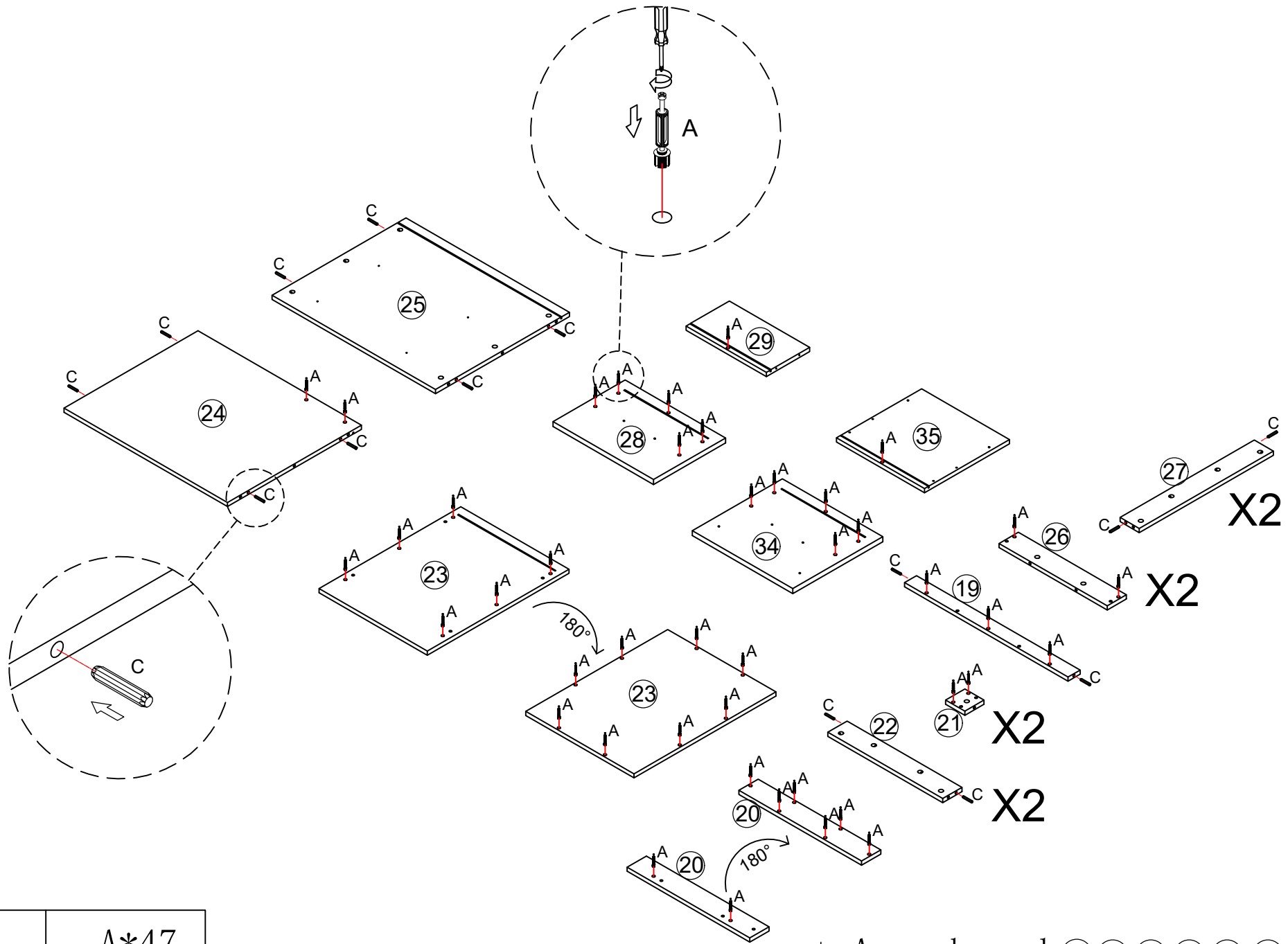
2


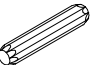


	A*27
	C*15

put A on board 12 13 14 16 18
put C on board 13 14 15 17 18

3

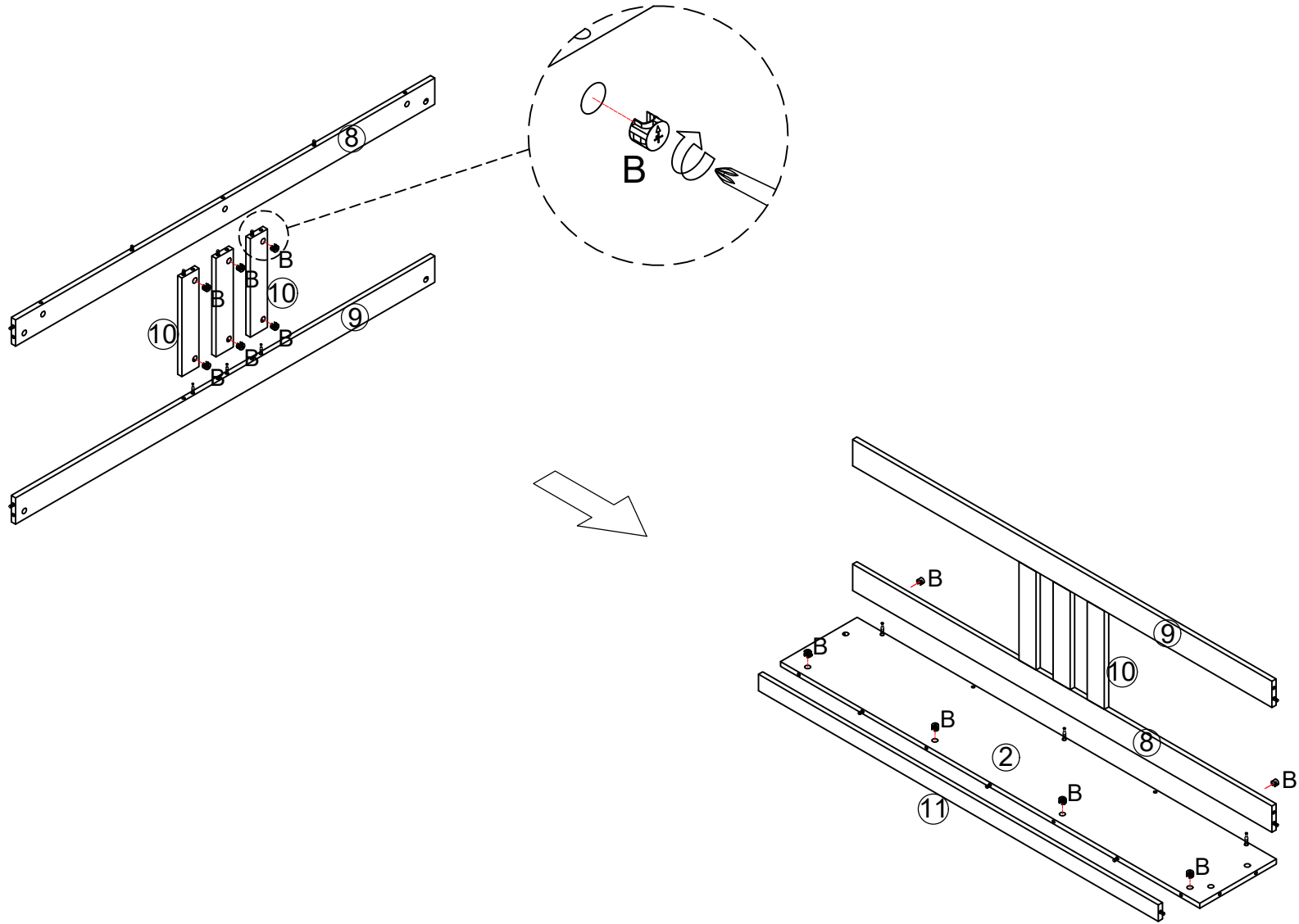


	A*47
	C*18

put A on board 19 20 21 23 26 28 29 34 35
 put C on board 19 22 24 25 27 28

4

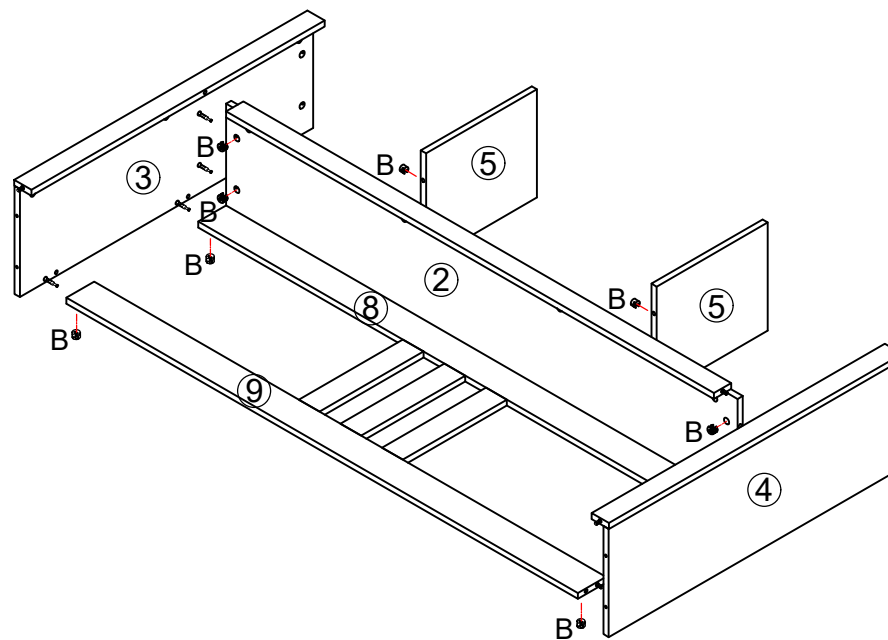
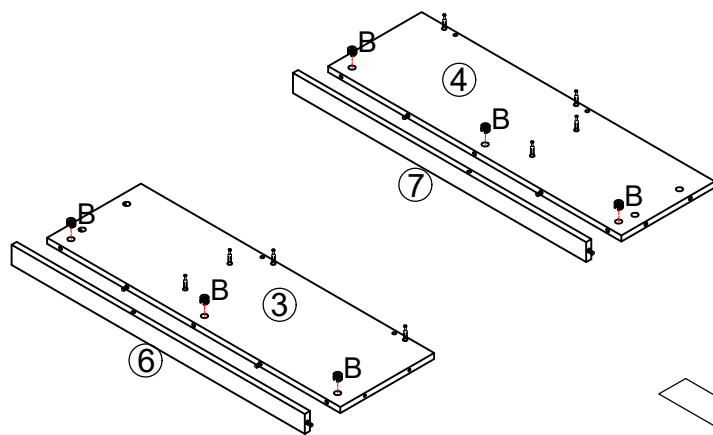
Make sure the arrow on the screw align to the hole on the side.



B*13

put B on board ② ⑧ ⑩

5

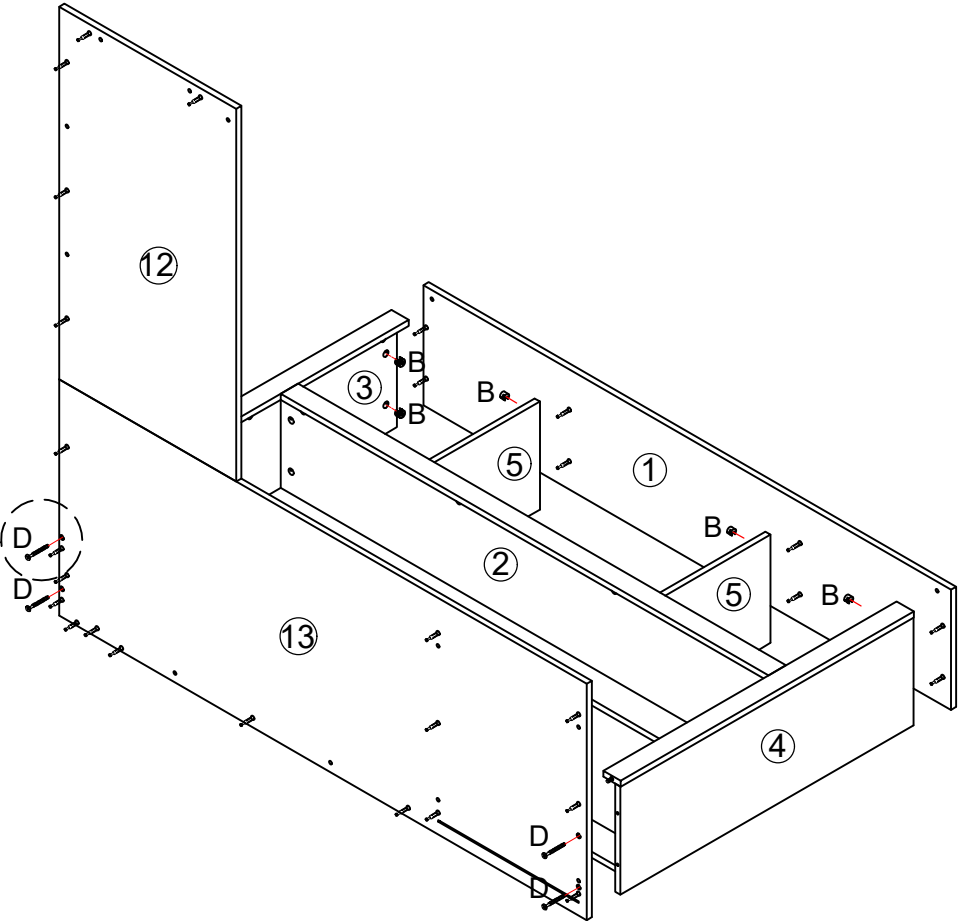
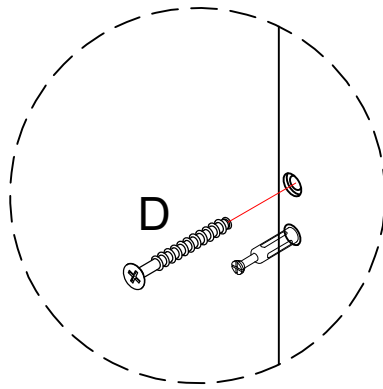
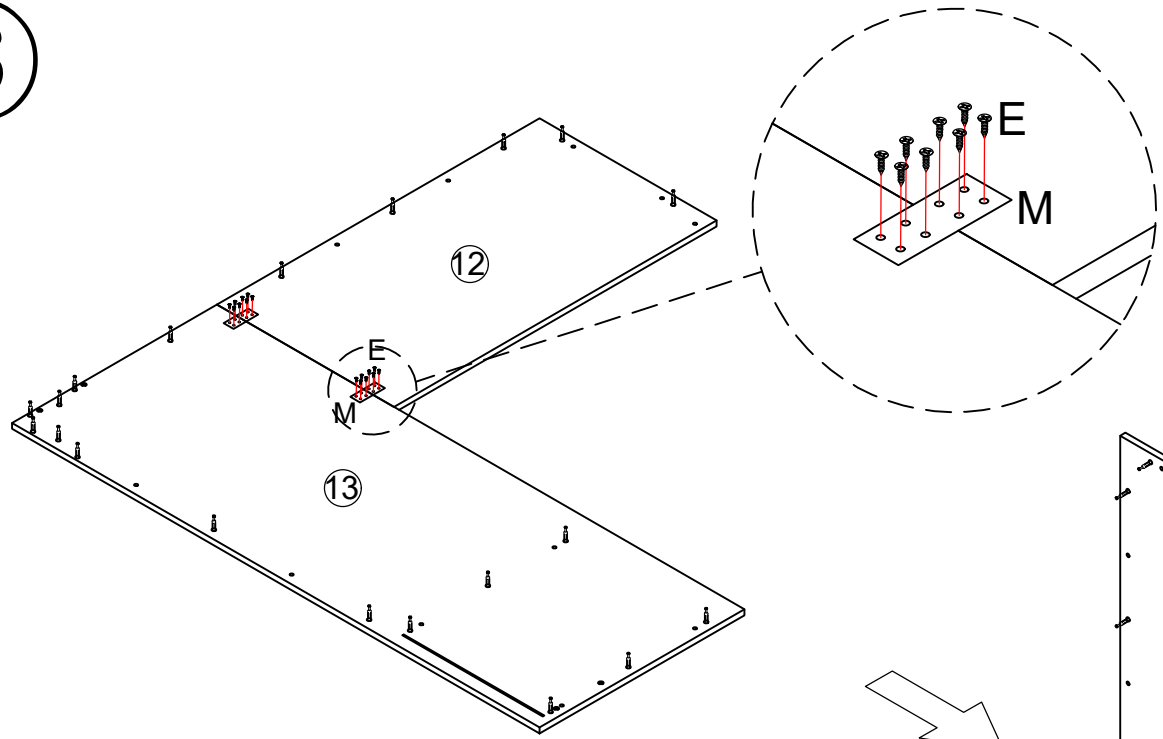


B*18





put B on board ②③④⑤⑧⑨



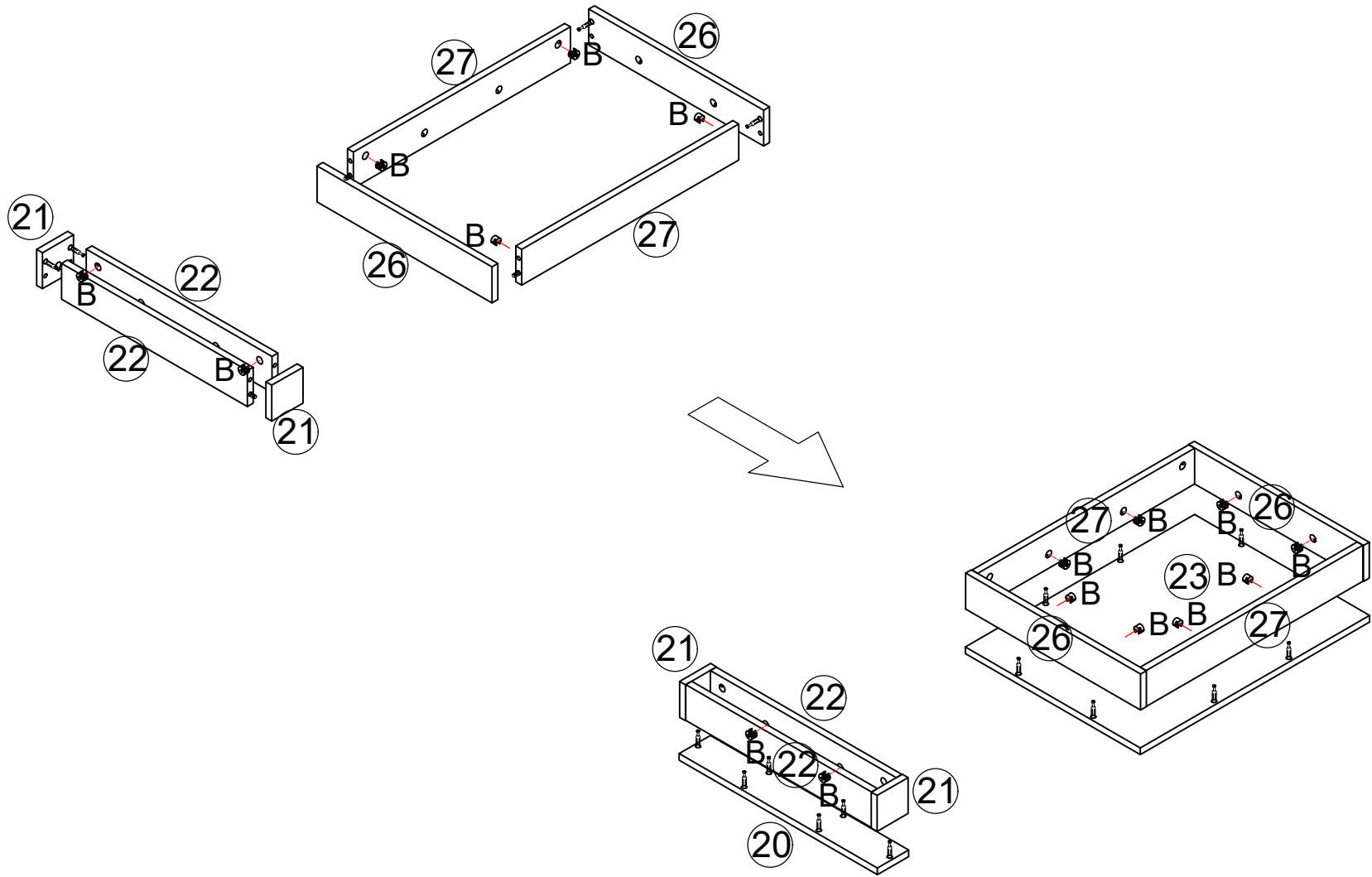
6



put B on board ③④⑤

	B*8
	D*4
	E*16
	M*2

7

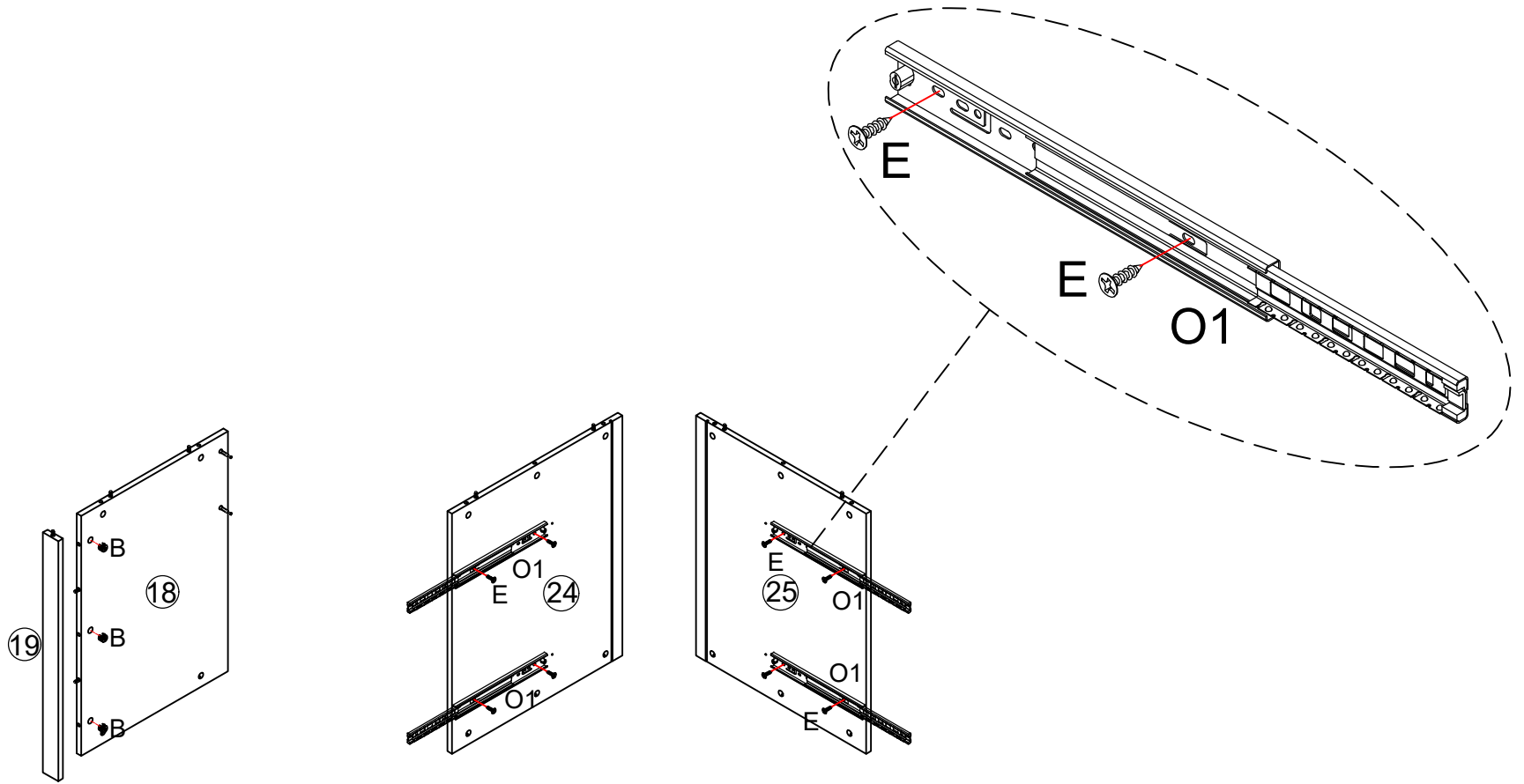





put B on board 21 22 26 27



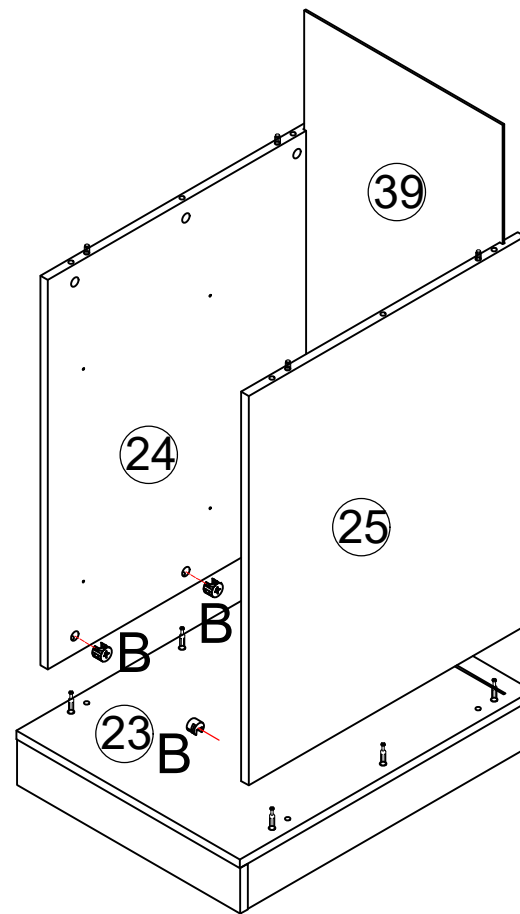
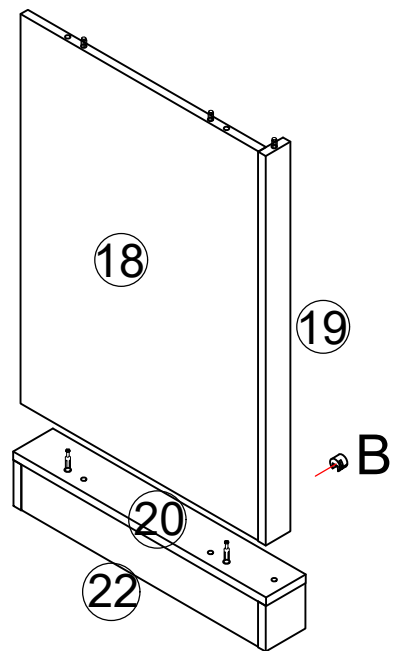
B*22

8



	B*3
	E*8
	O1*2

9

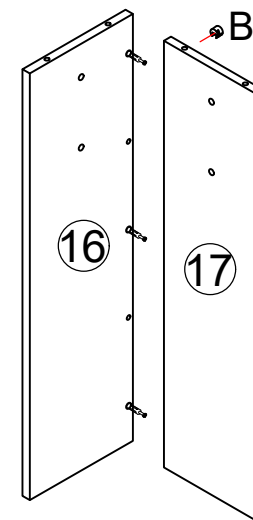
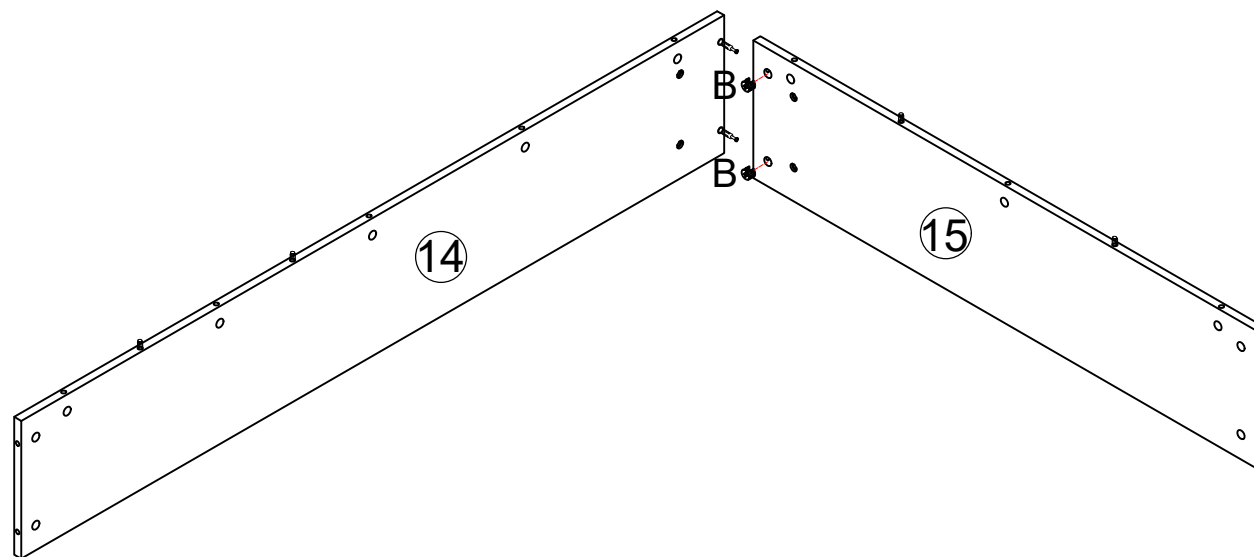


put B on board 18 24 25



B*8

10

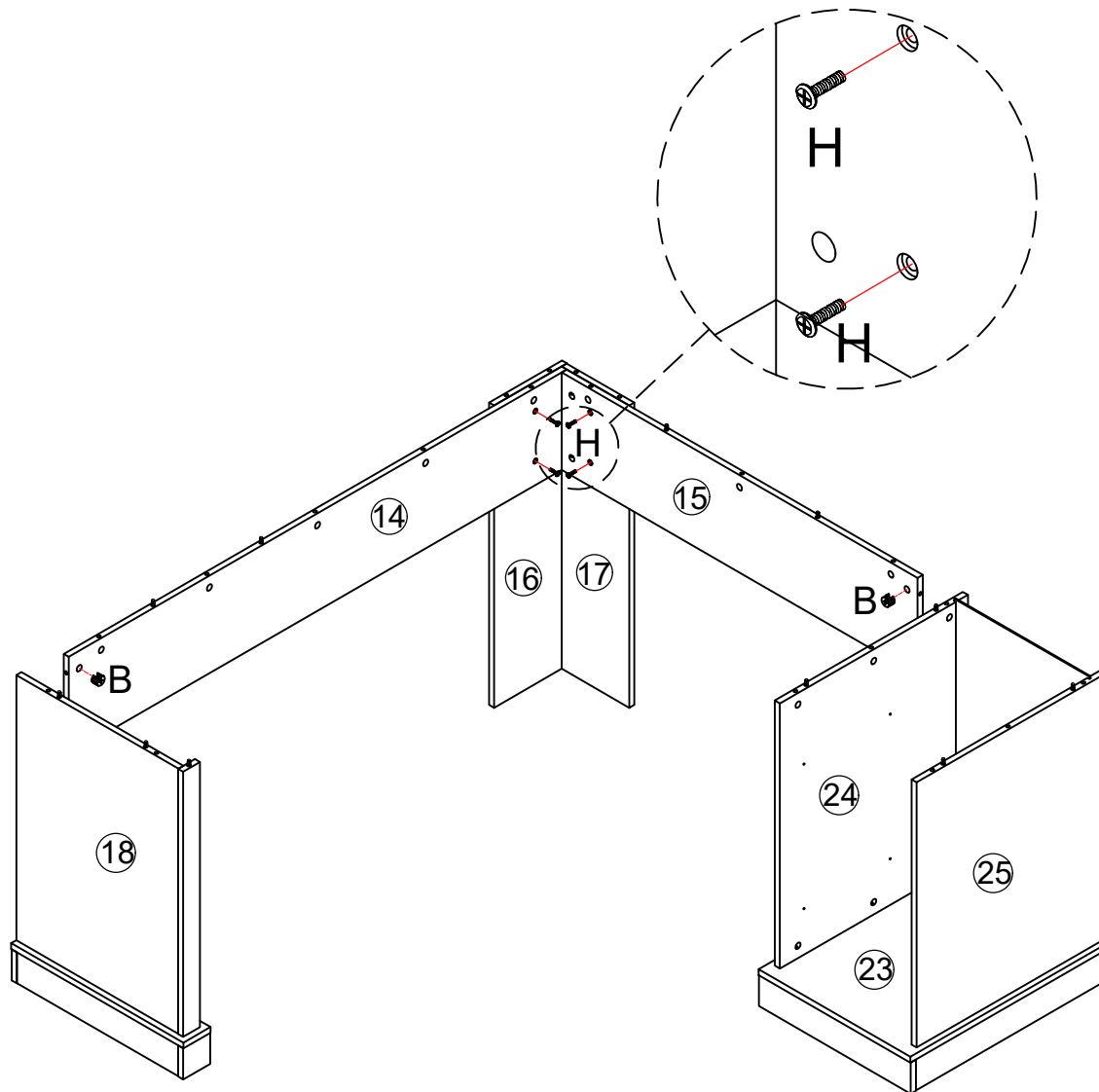


put B on board 15 17



B*5

11



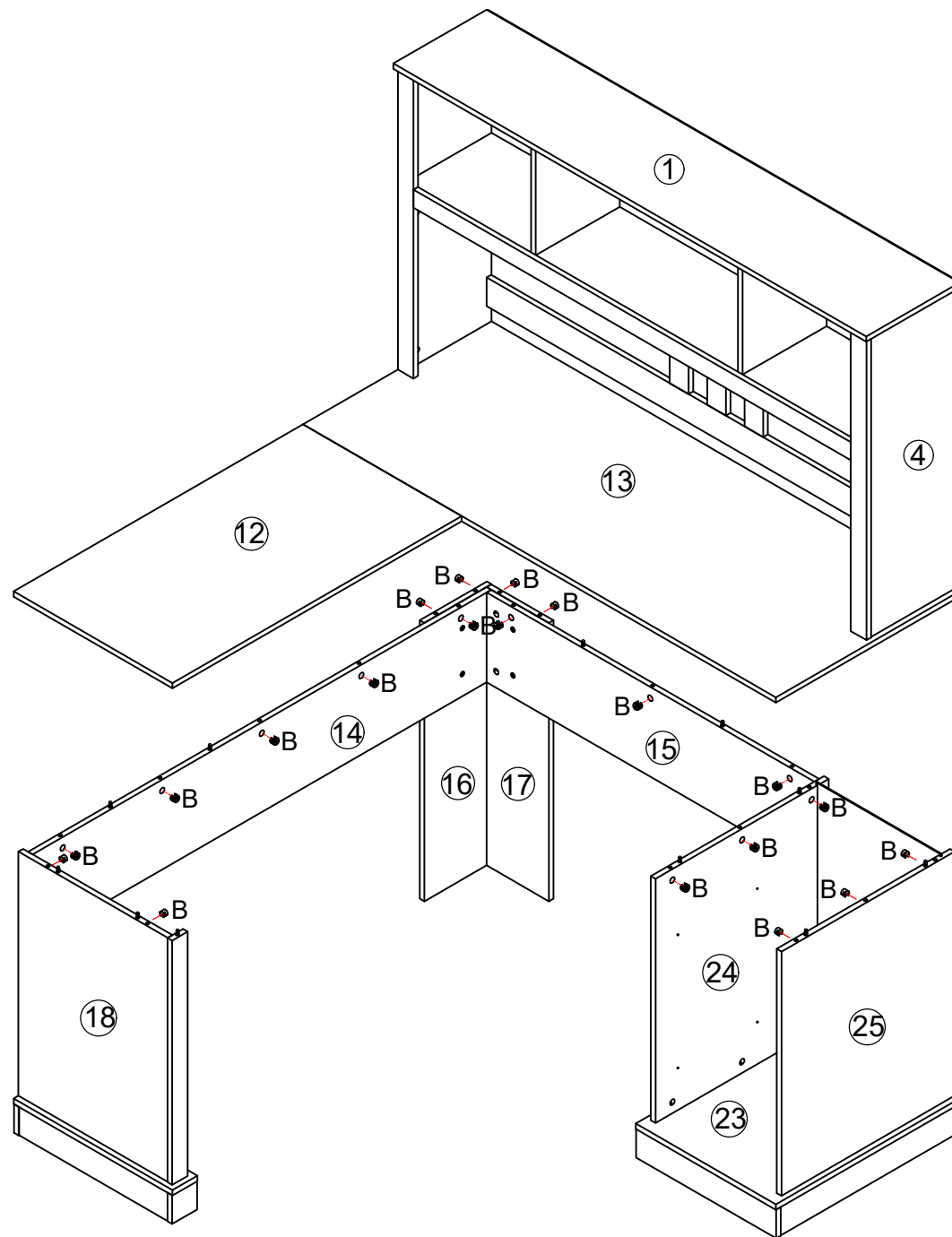
B*4



H*4

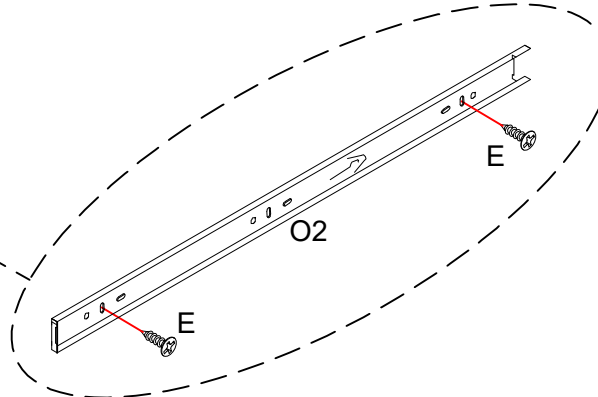
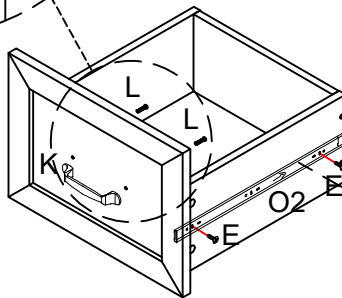
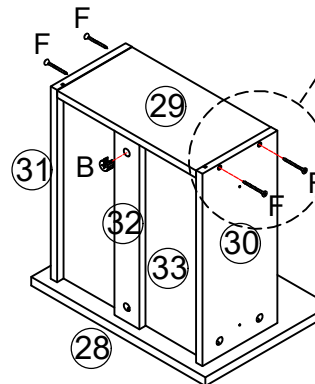
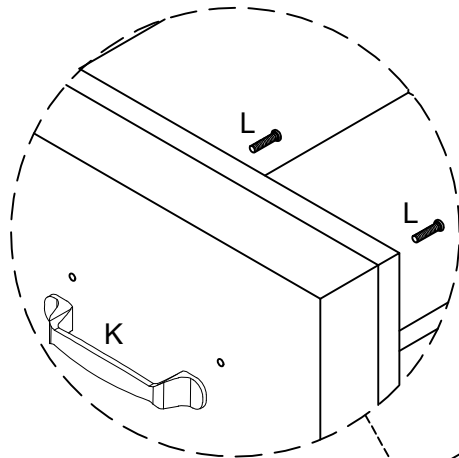
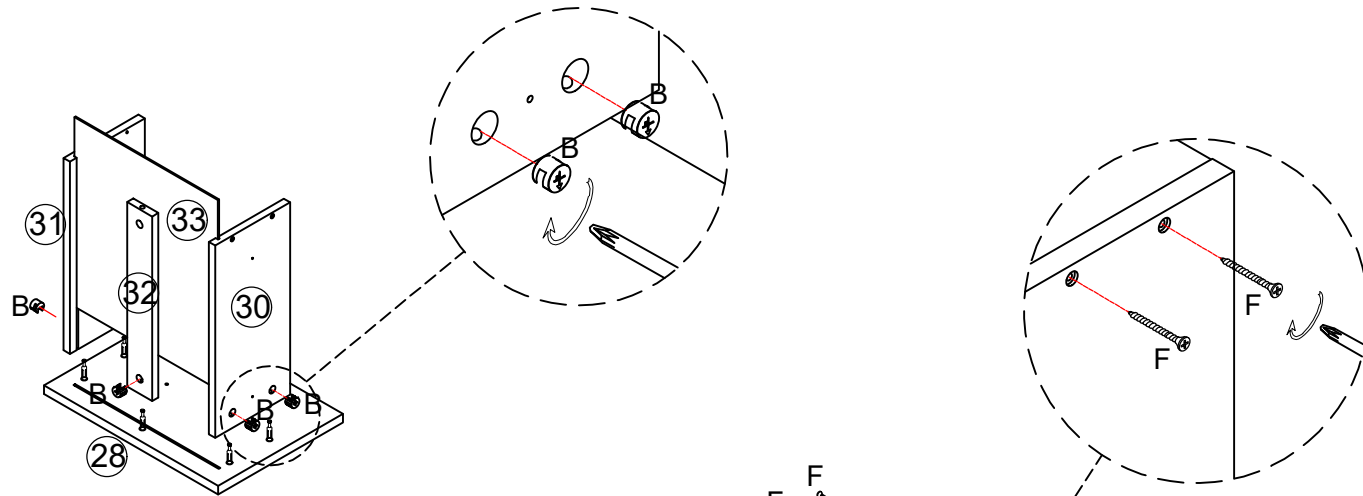
put B on board 14 15



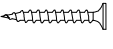

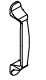

12



B*20

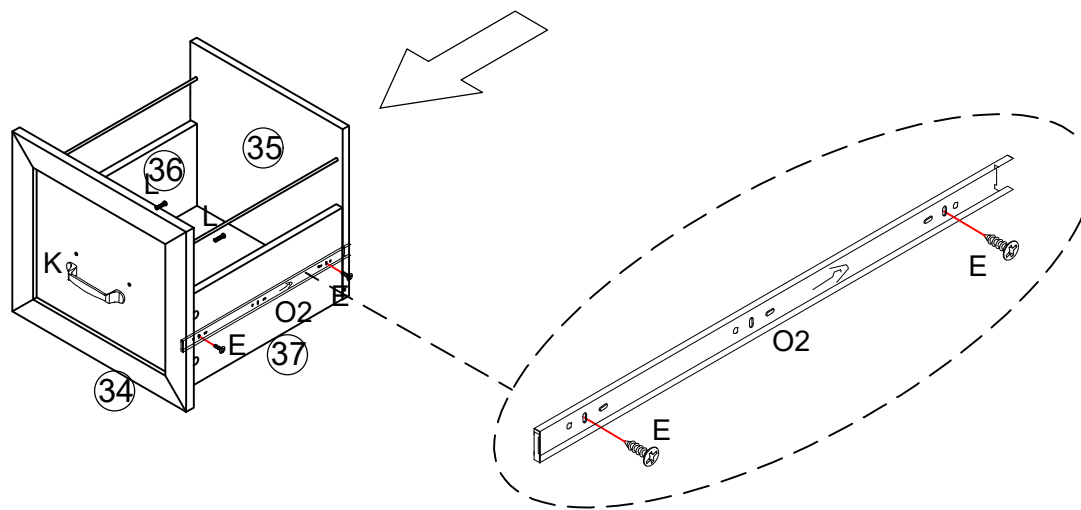
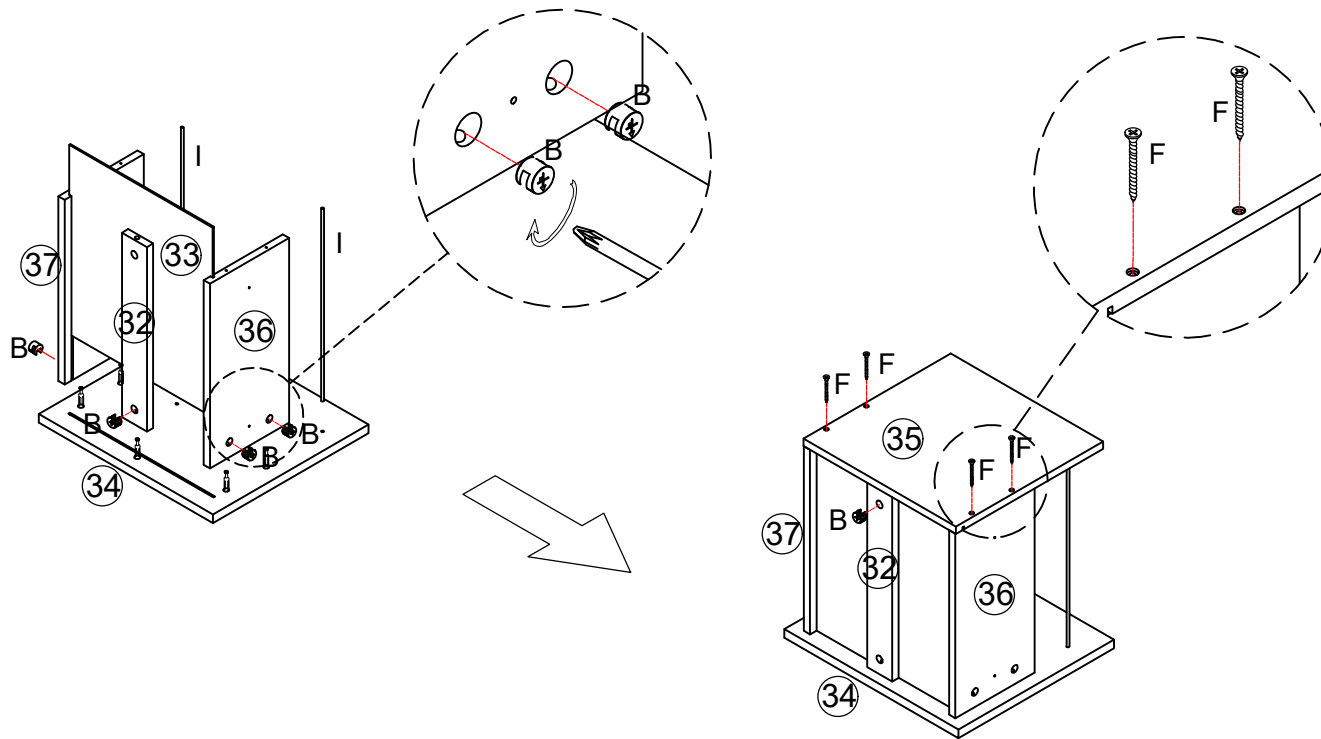
put B on board 14 15 16 17 18 24 25



	B*6
	E*4
	F*4
	O2*1
	K*1
	L*2

put B on board 30 31 32

15



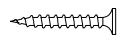
put B on board 32 36 37



B*6



E*4



F*4



I*2



O2*1

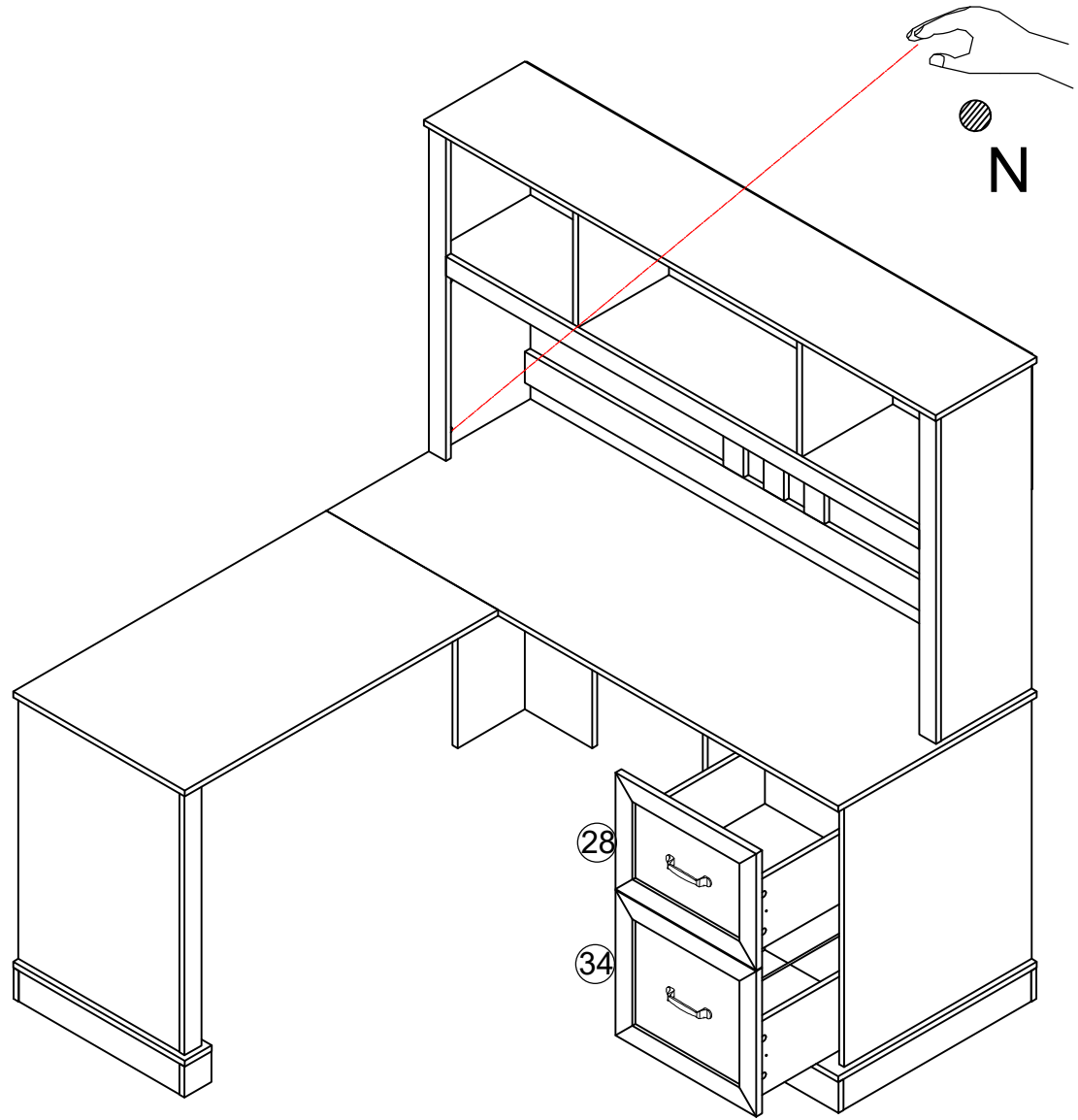


K*1



L*2

16



N*39

17

