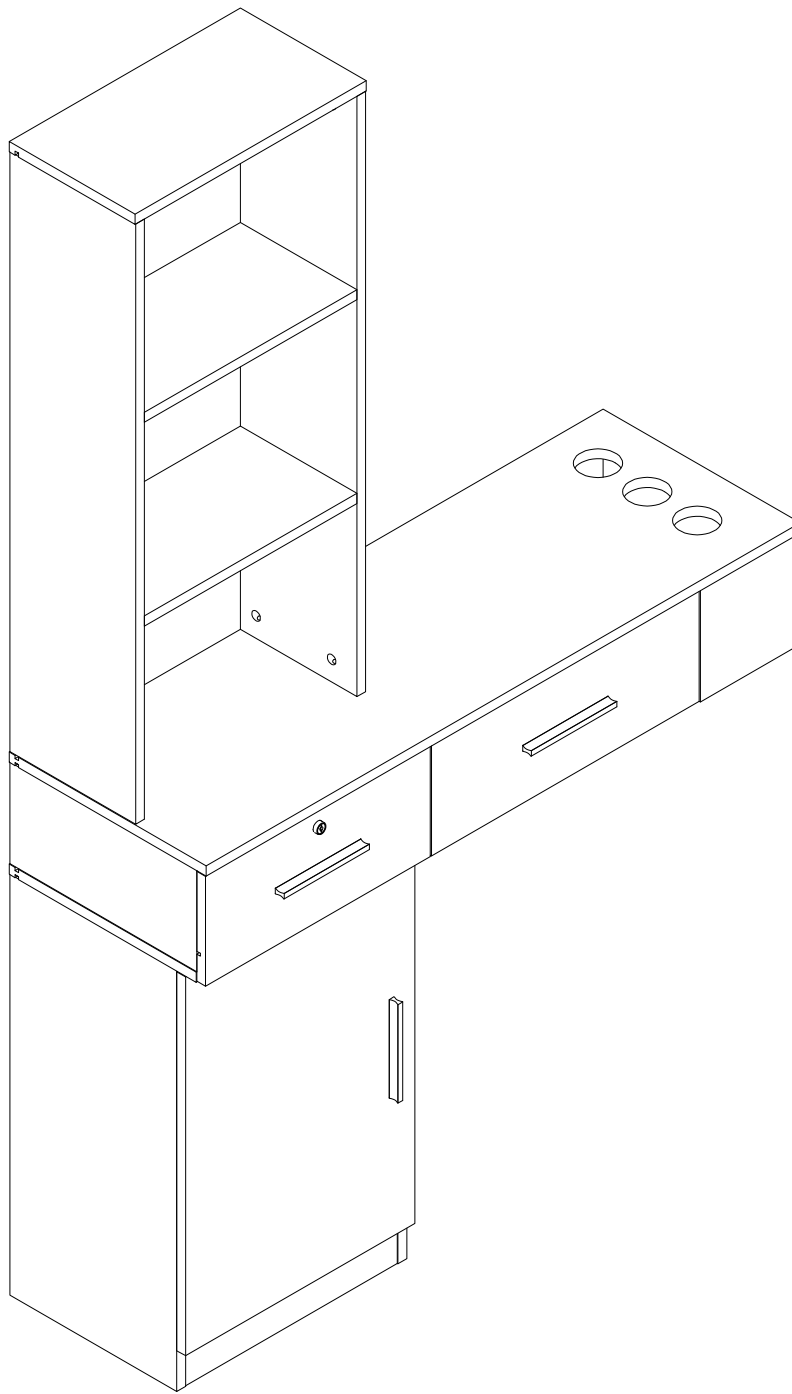
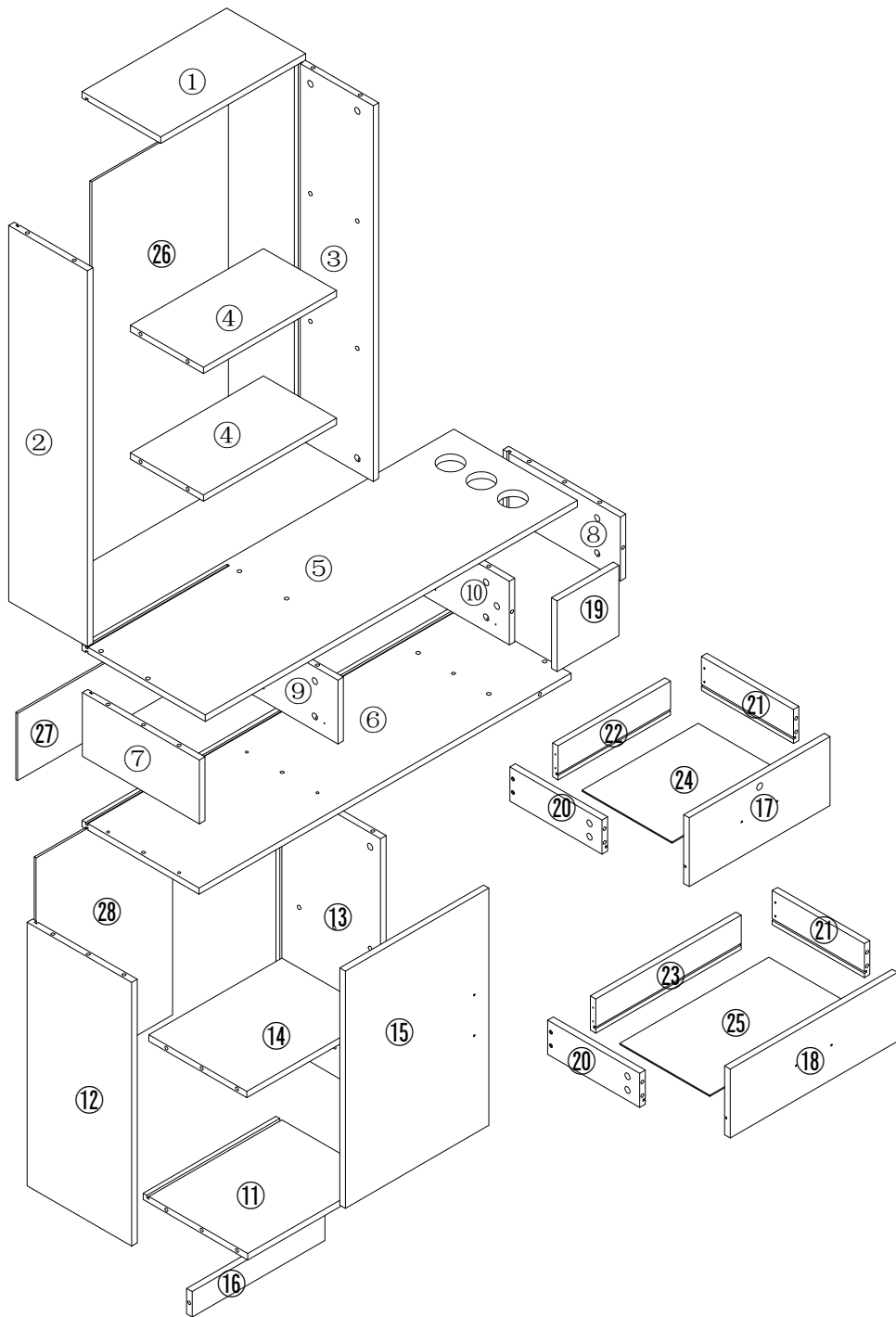
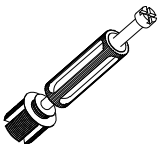
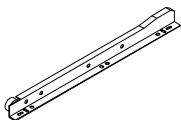

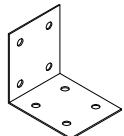

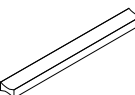
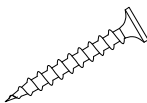
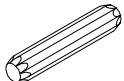

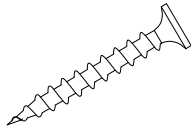
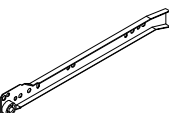
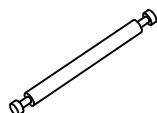
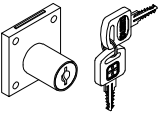
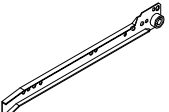

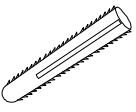
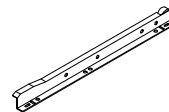
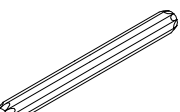
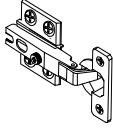
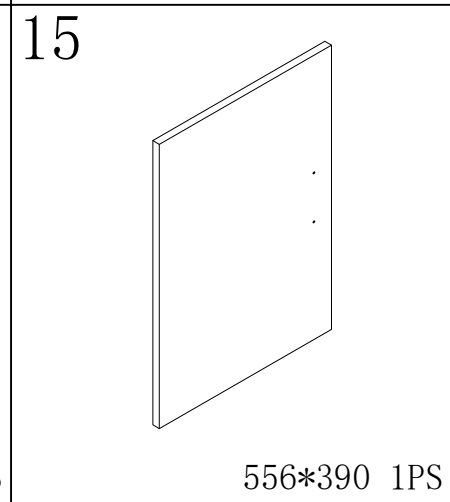
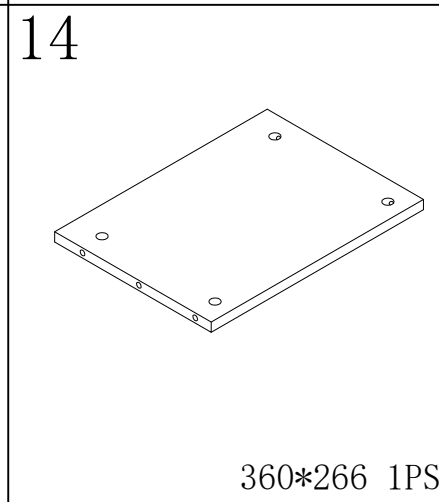
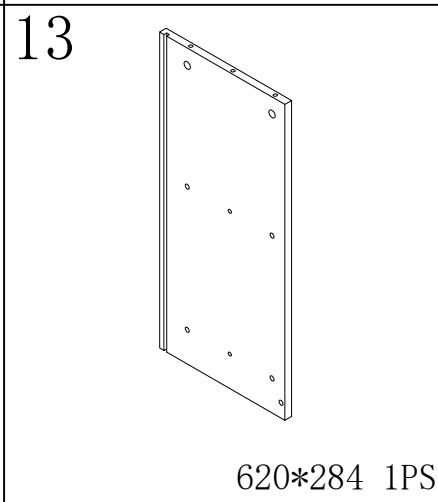
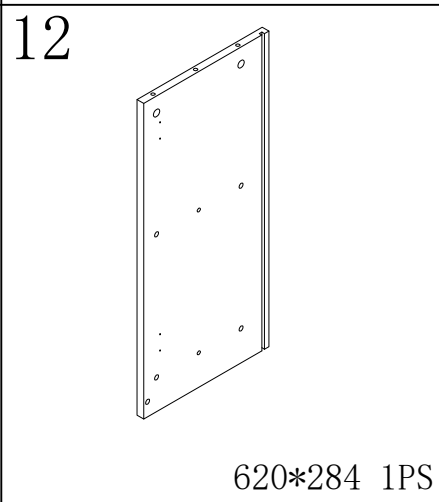
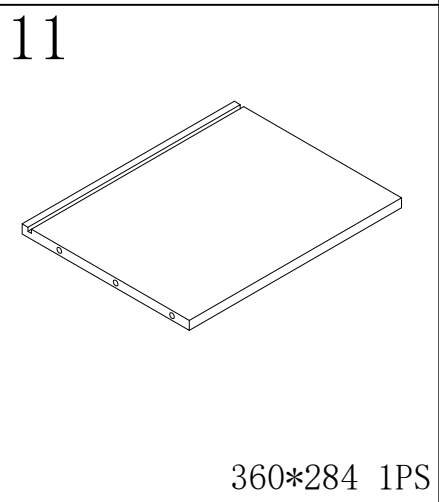
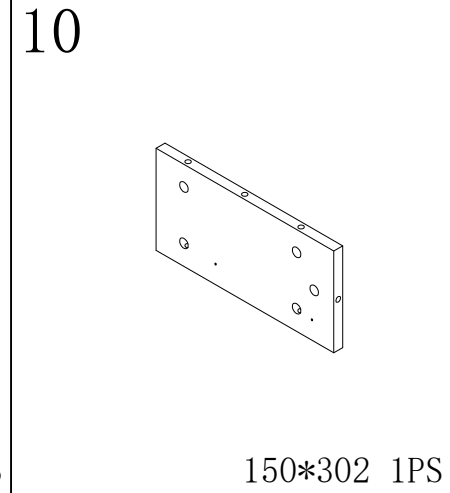
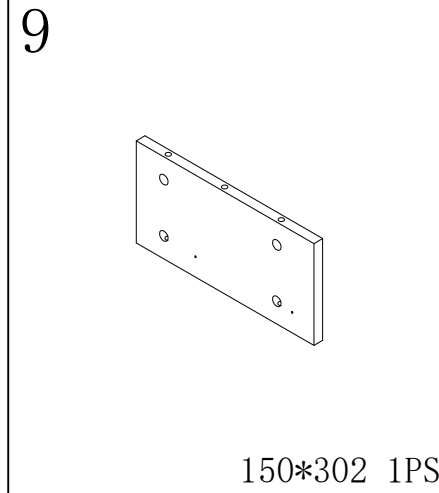
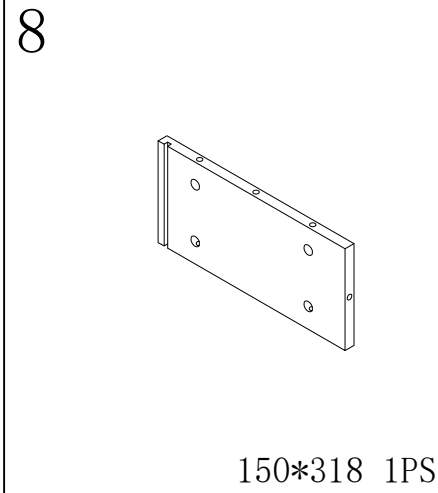
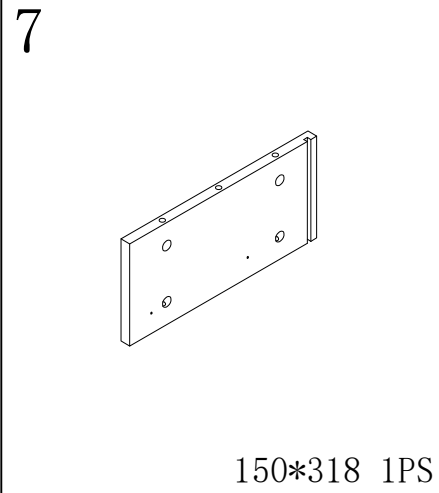
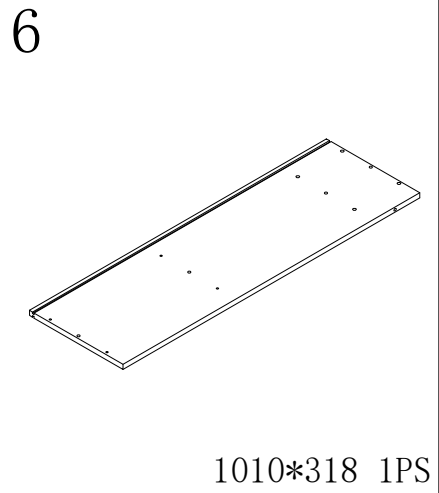
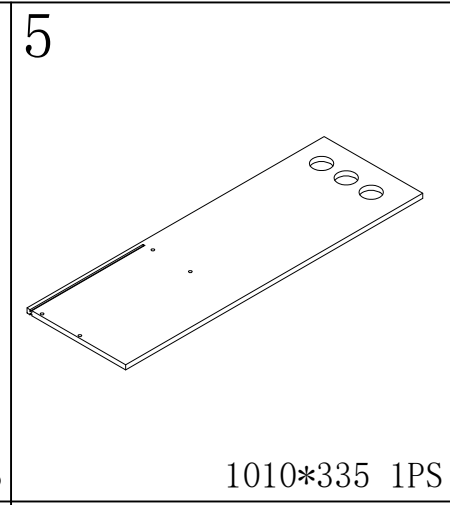
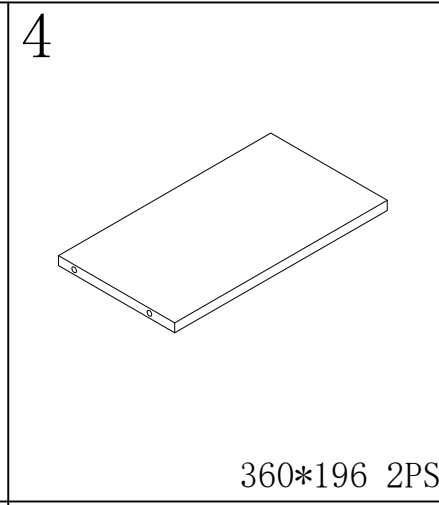
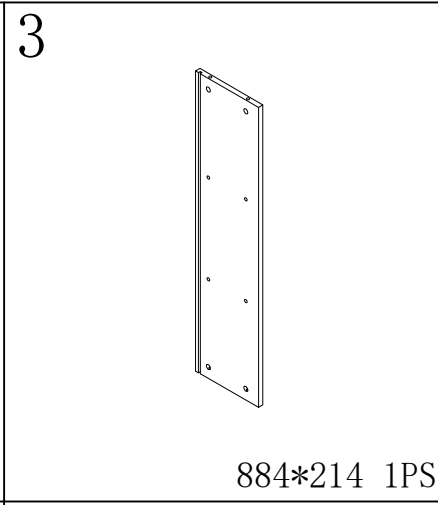
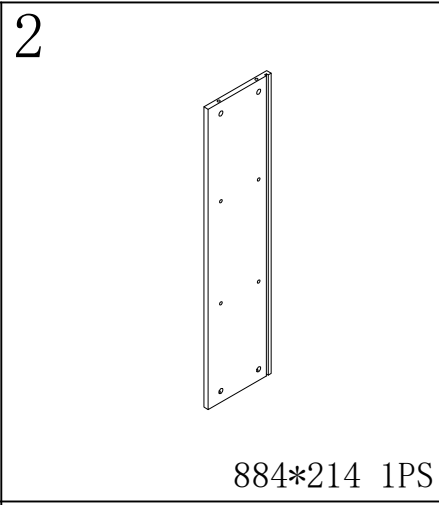
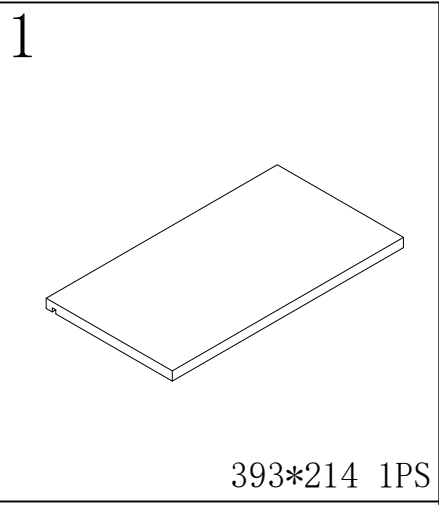


H08118 OME

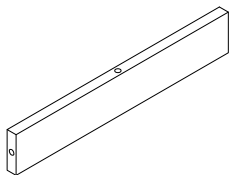




<p>A</p>  <p>49PCS</p>	<p>G 250MM</p>  <p>2PCS</p>	<p>M 3.5*14</p>  <p>36PCS</p>	<p>S 70*38</p>  <p>1PCS</p>
<p>B</p>  <p>57PCS</p>	<p>H 96MM</p>  <p>3PCS</p>	<p>N 3.5*35</p>  <p>8PCS</p>	
<p>C 8*40</p>  <p>11PCS</p>	<p>I 4*18</p>  <p>6PCS</p>	<p>O 4*50</p>  <p>2PCS</p>	
<p>D 250MM</p>  <p>2PCS</p>	<p>J 6*78</p>  <p>4PCS</p>	<p>P</p>  <p>1PCS</p>	
<p>E 250MM</p>  <p>2PCS</p>	<p>K φ 60</p>  <p>3PCS</p>	<p>Q</p>  <p>2PCS</p>	
<p>F 250MM</p>  <p>2PCS</p>	<p>L 8*80</p>  <p>2PCS</p>	<p>R</p>  <p>2PCS</p>	

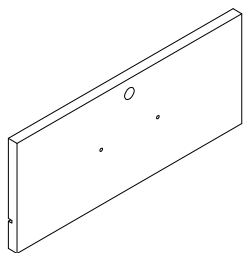


16



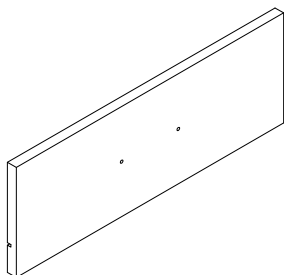
360*60 1PS

17



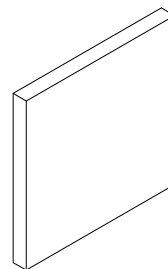
382*162 1PS

18



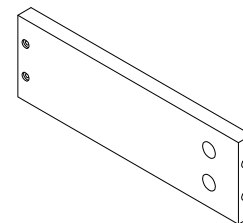
455*162 1PS

19



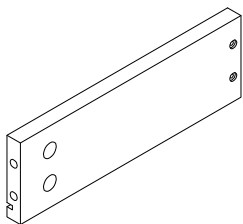
168*164 1PS

20



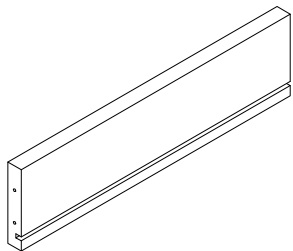
250*80 2PS

21



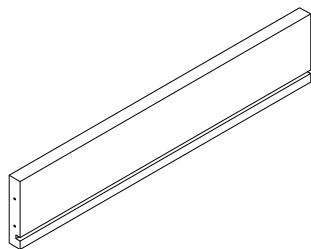
250*80 2PS

22



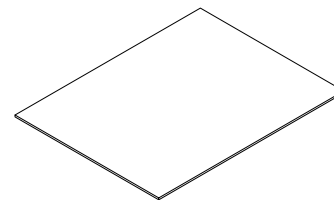
305*80 1PS

23



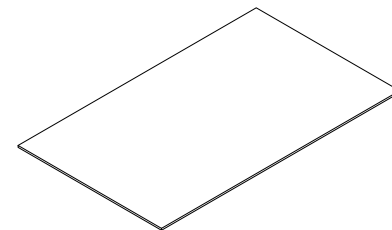
395*80 1PS

24



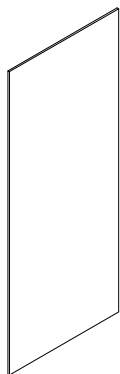
315*244 1PS

25



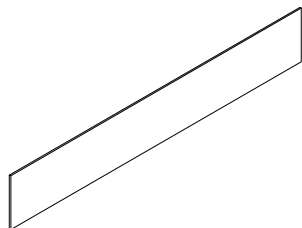
405*244 1PS

26



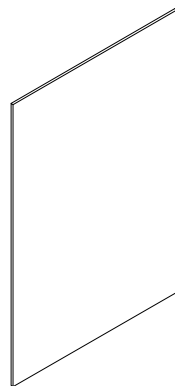
894*370 1PS

27



988*158 1PS

28



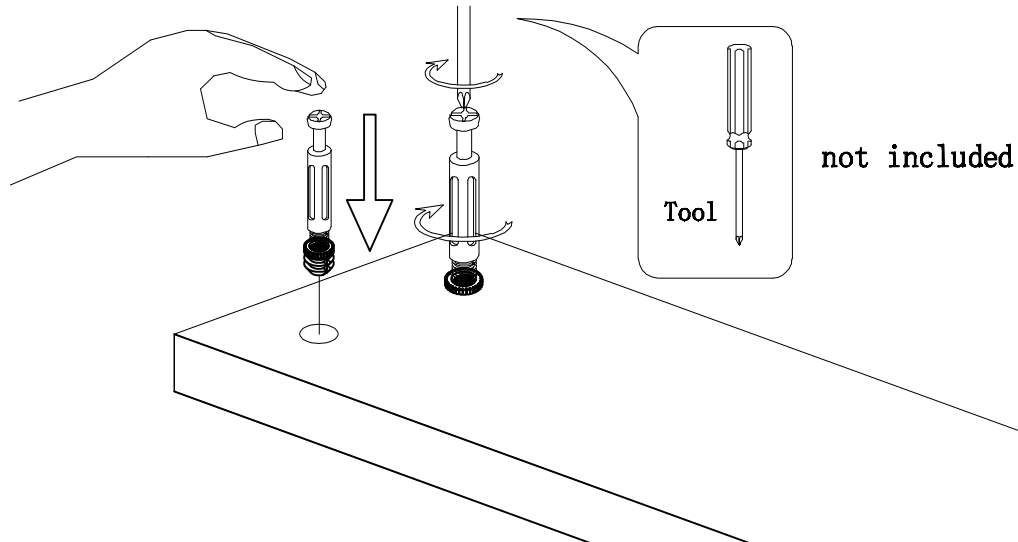
554*370 1PS



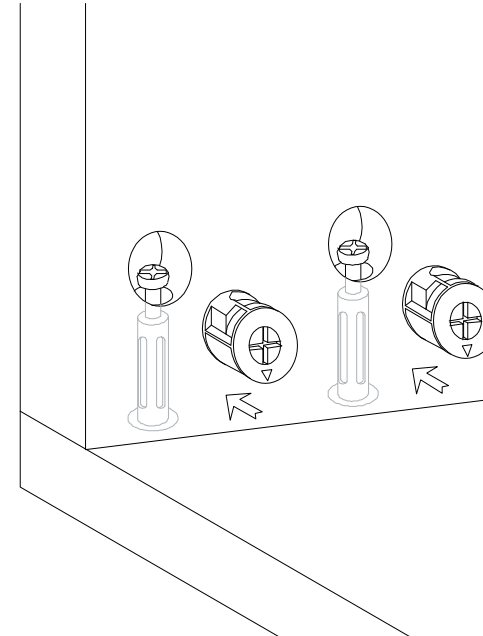
Hardware installation demonstration

NOTE: Please make sure "A" hardware tightened and can't be pulled out!

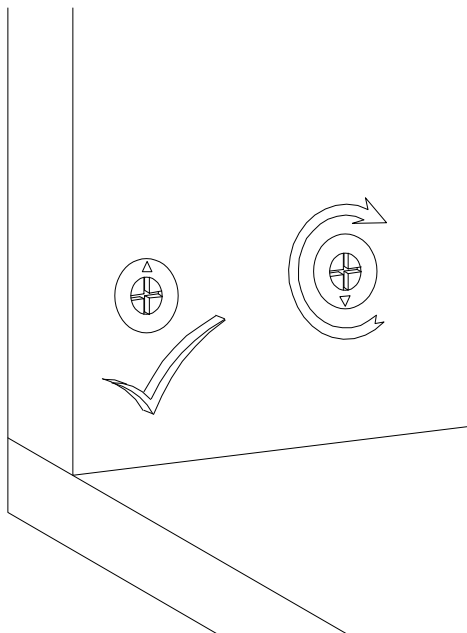
I



II



III

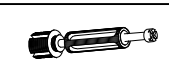
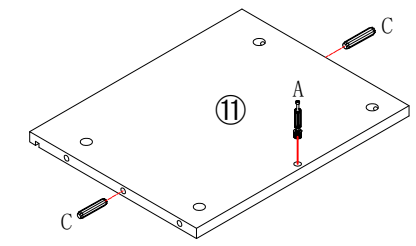
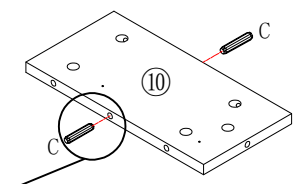
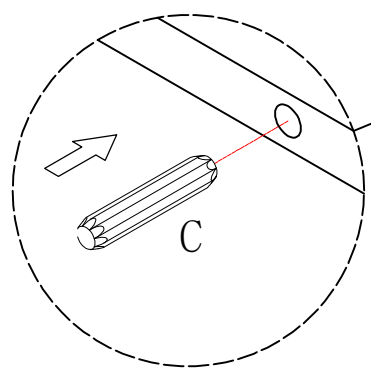
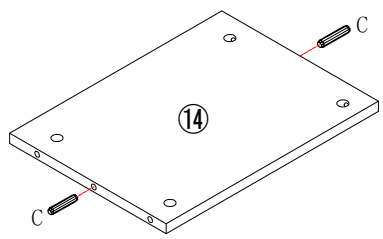
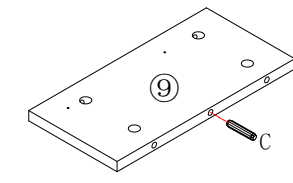
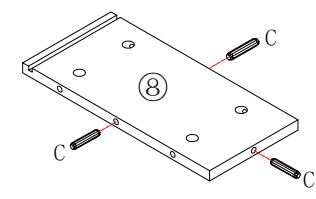
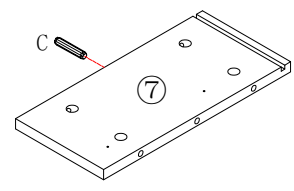
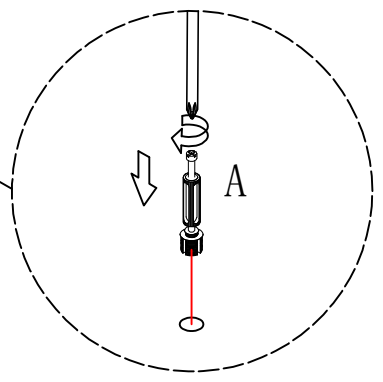
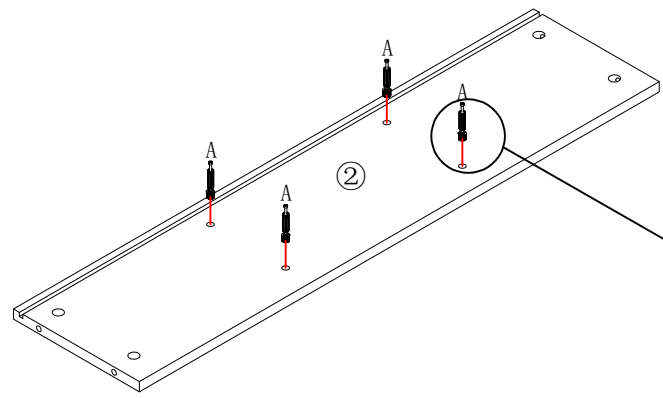
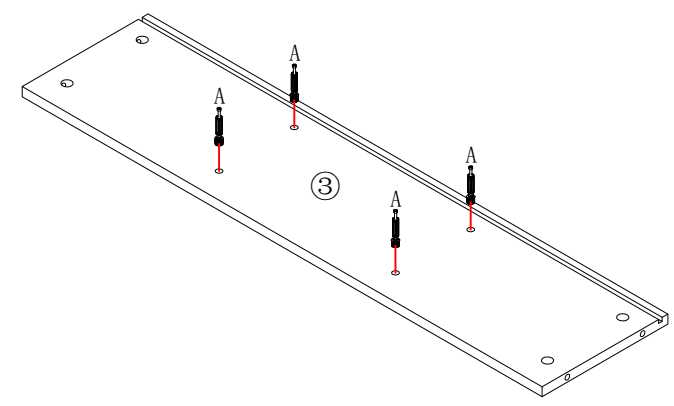
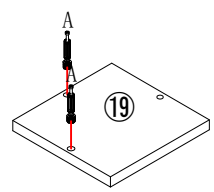
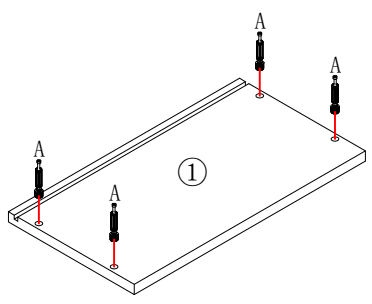


IV

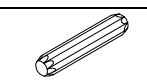


Scan QR code for assembly video

1

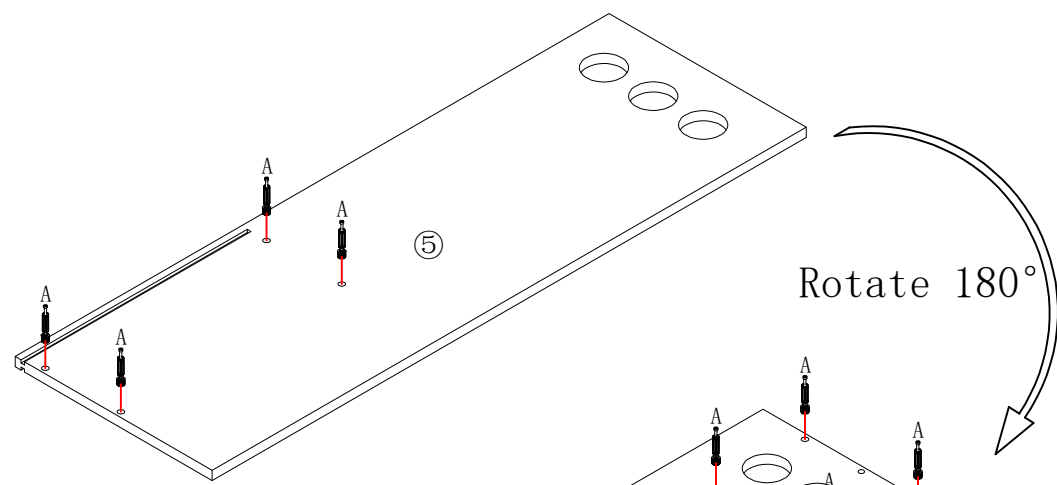
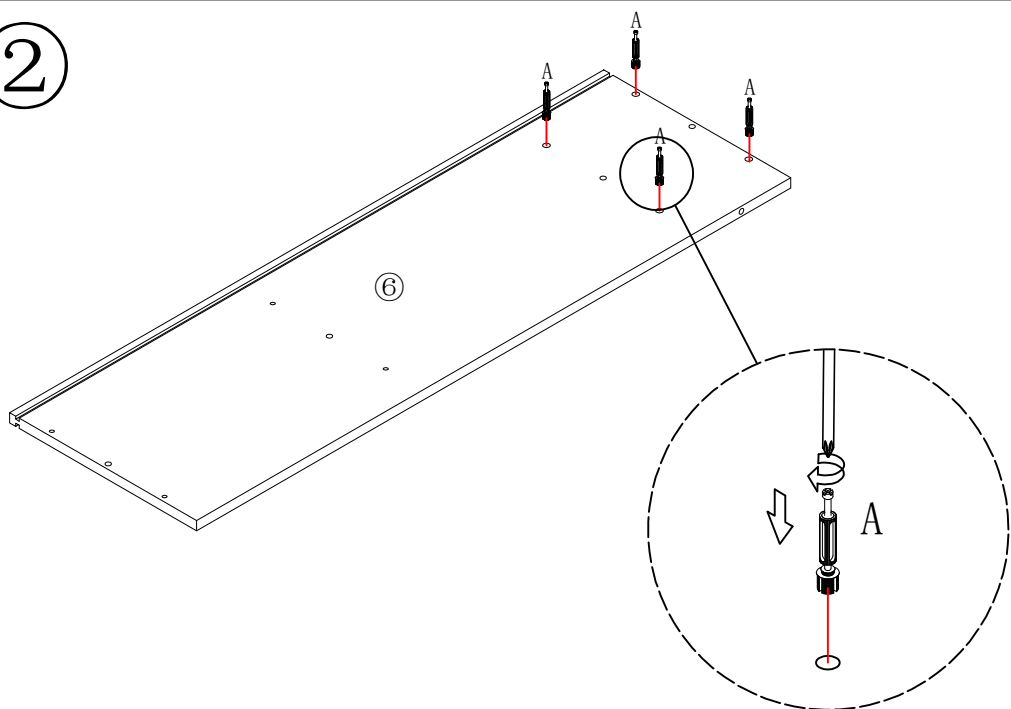


A*15 put A on board ①②③⑪⑱

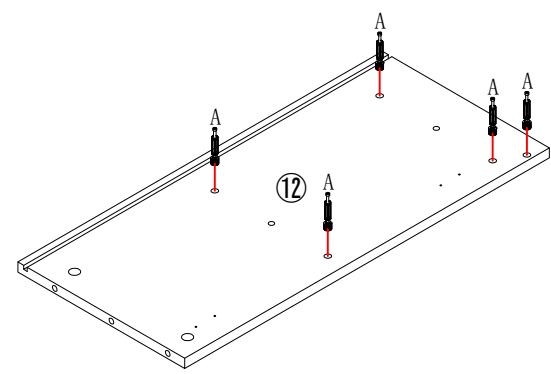
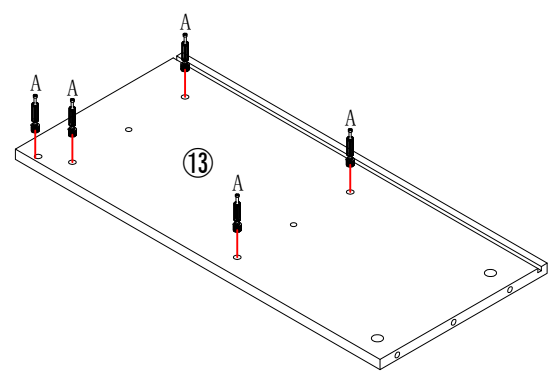
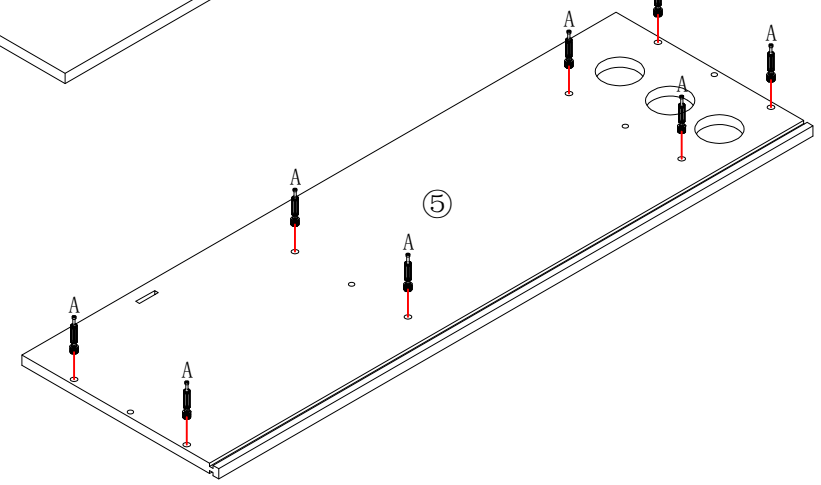


C*11 put C on board ⑦⑧⑨⑩⑫⑭

2



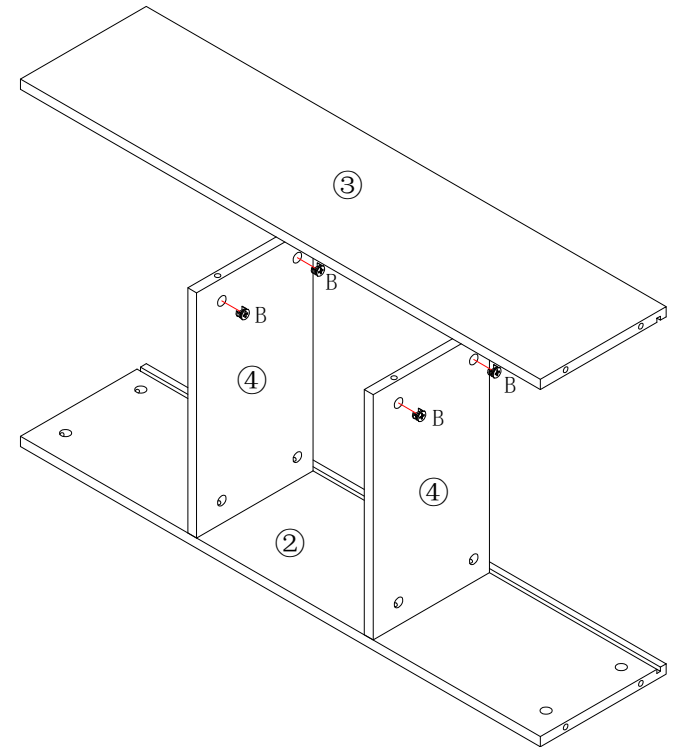
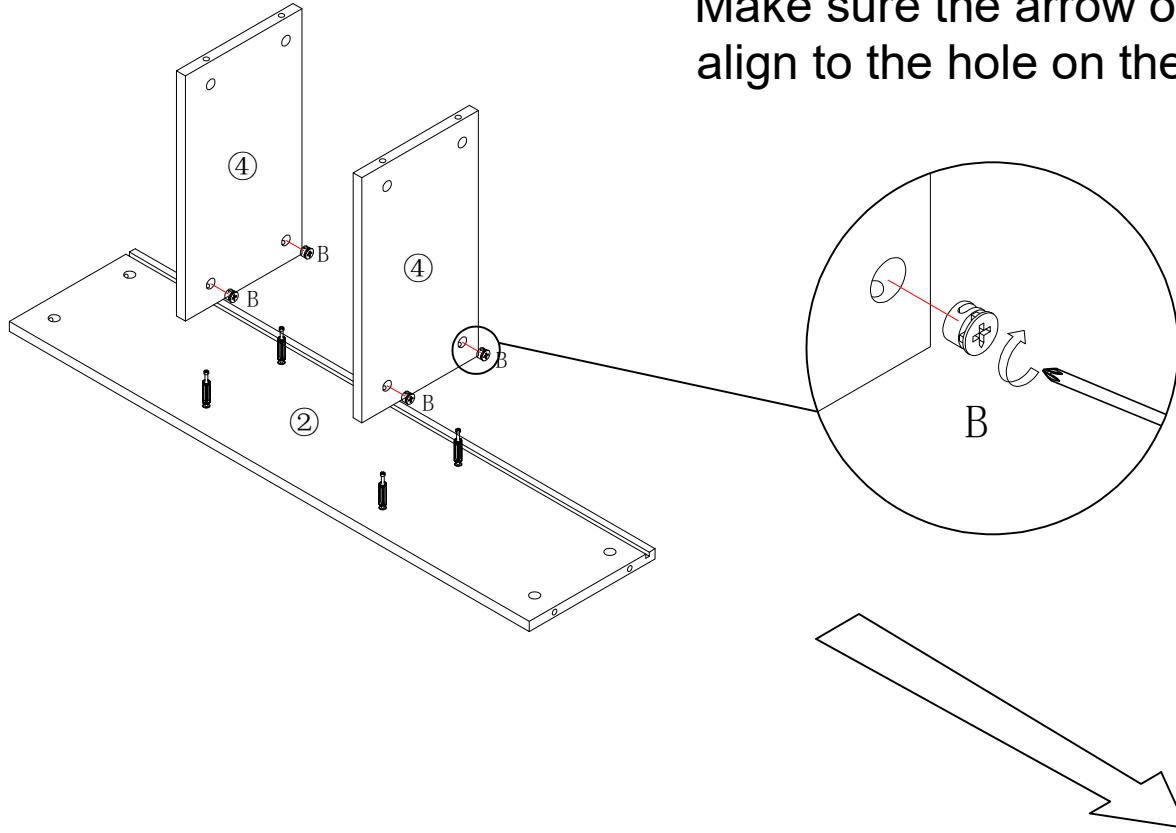
Rotate 180°



A*26 put A on board ⑤⑥⑫⑬

3

Make sure the arrow on the screw align to the hole on the side.

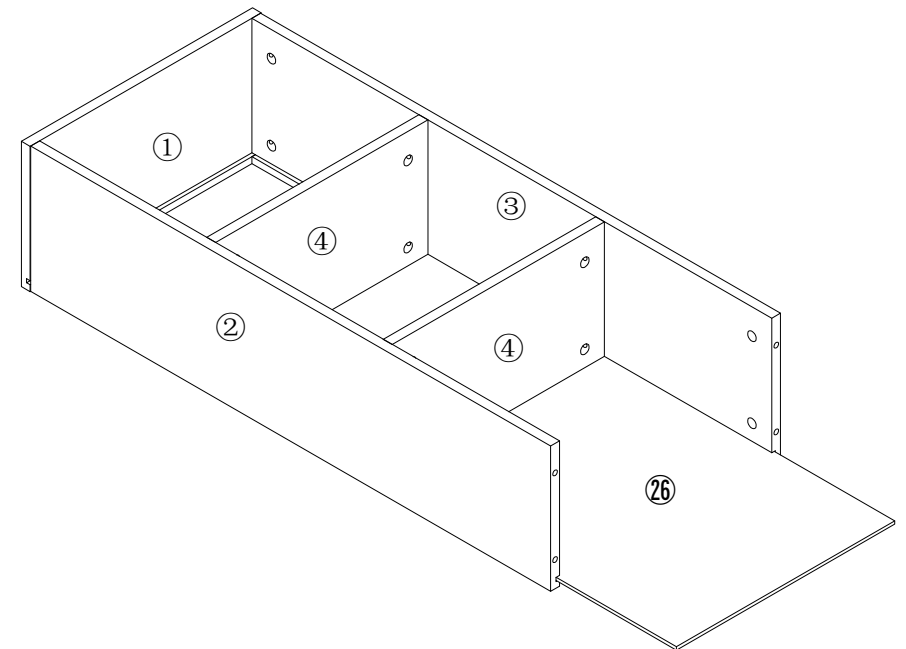
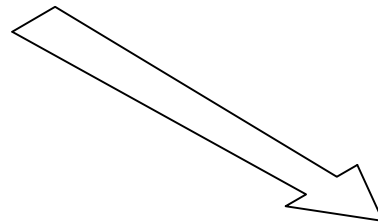
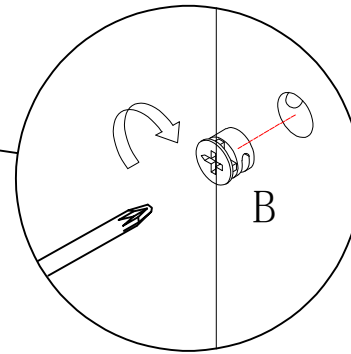
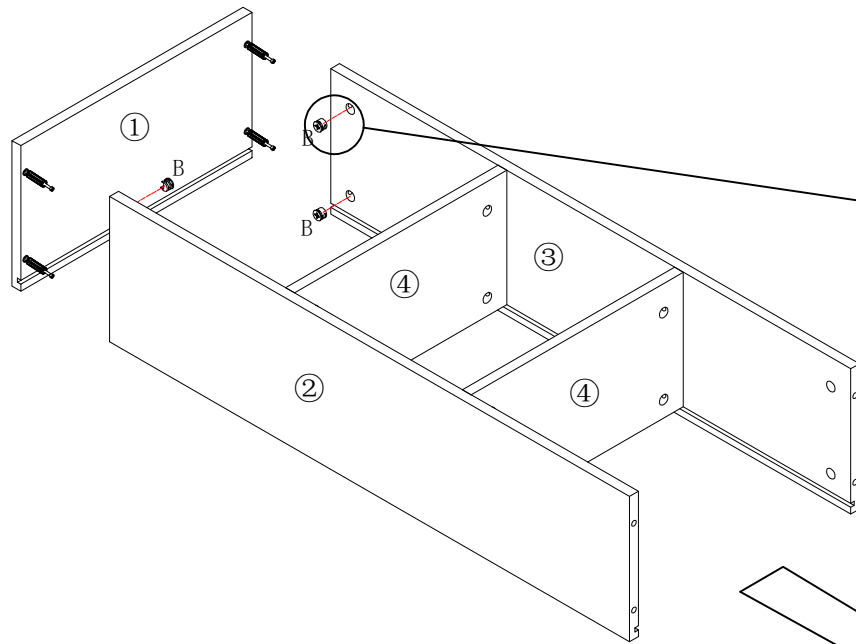


B*8

put B on board ②

4

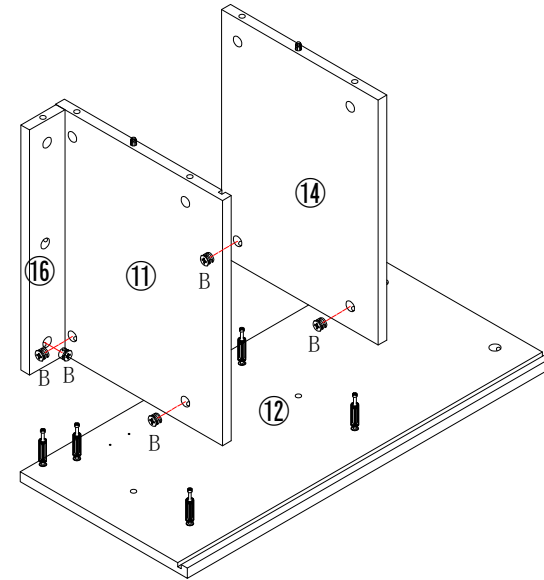
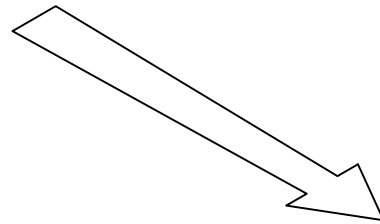
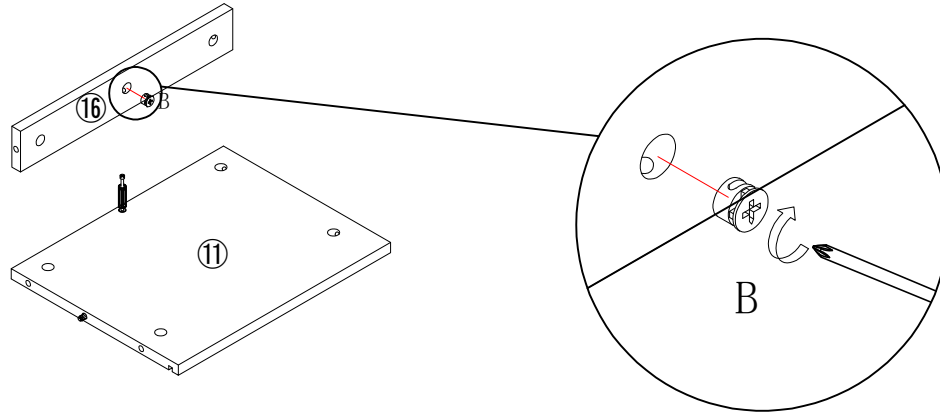
Make sure the arrow on the screw align to the hole on the side.



B*4 put B on board ②③

5

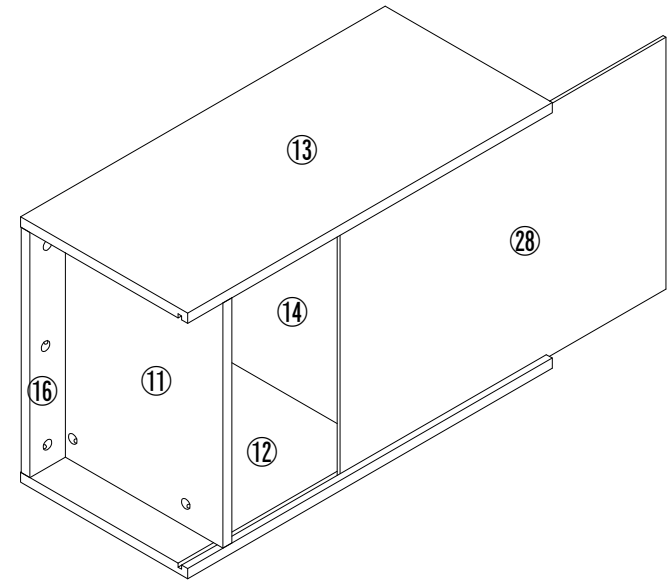
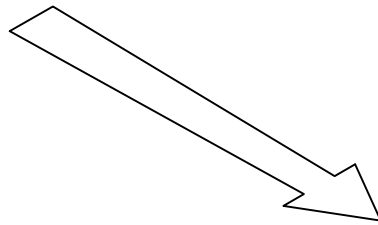
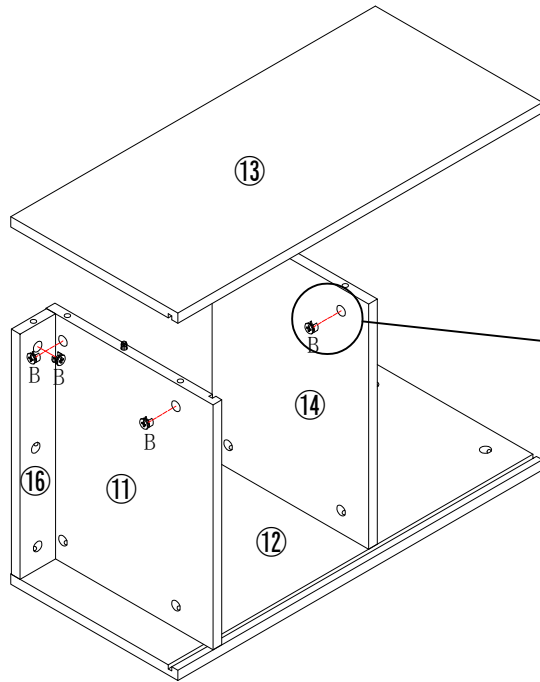
Make sure the arrow on the screw align to the hole on the side.



B*6 put B on board 11 14 16

6

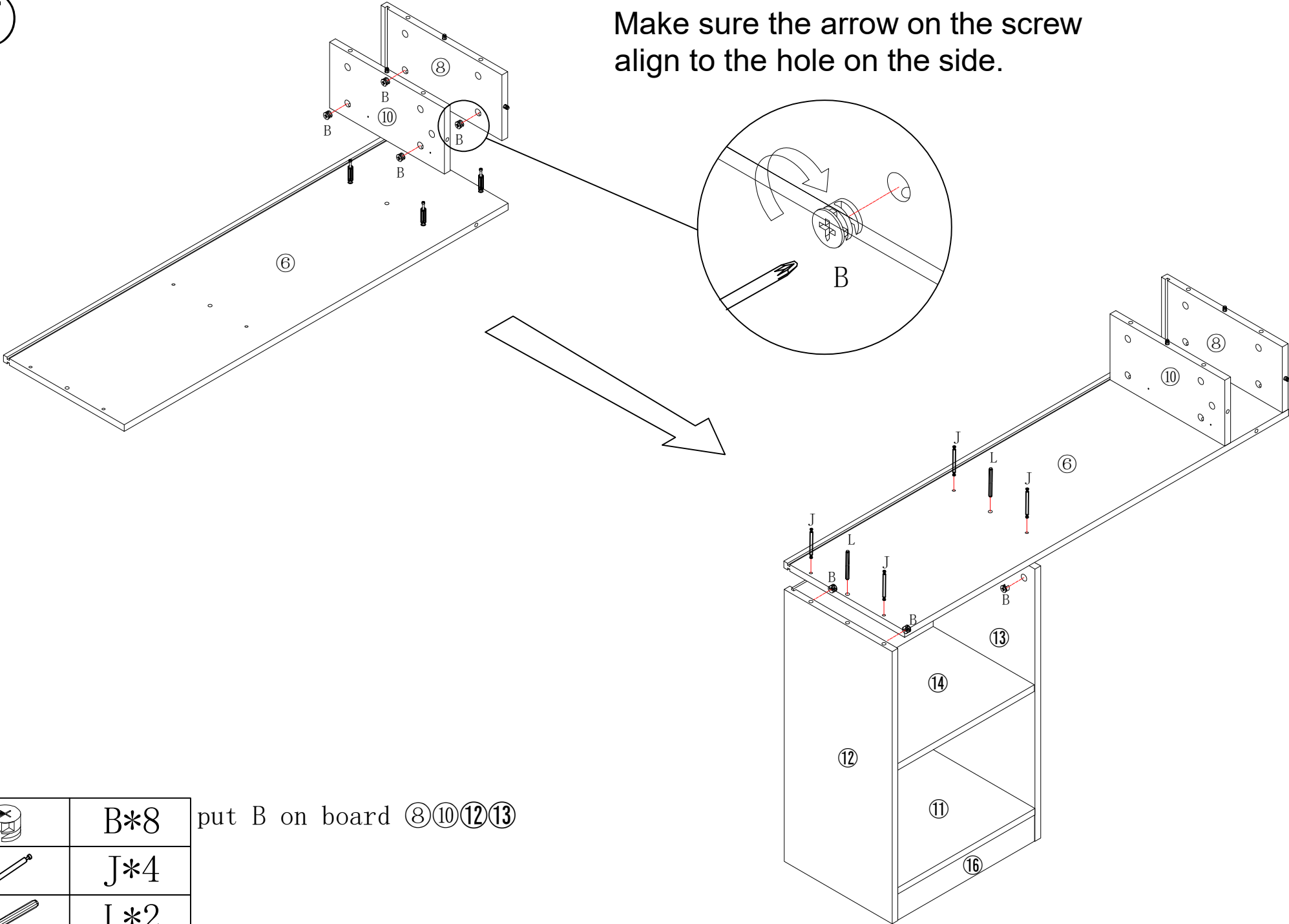
Make sure the arrow on the screw align to the hole on the side.






B*5 put B on board 11 14 16

7

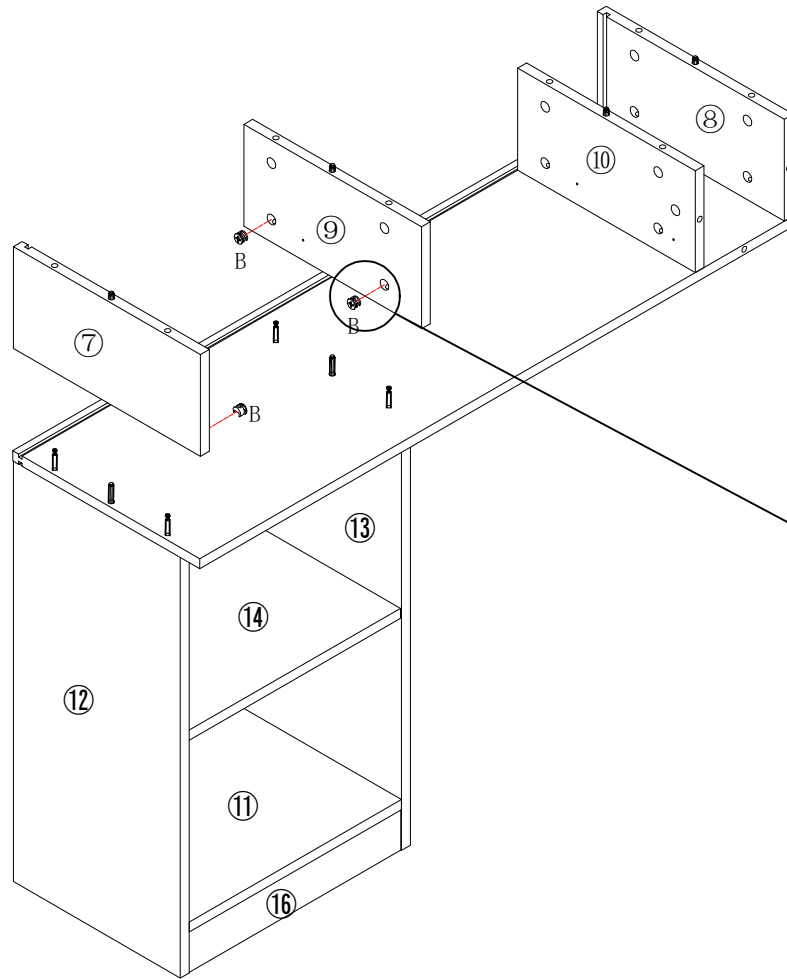
Make sure the arrow on the screw align to the hole on the side.



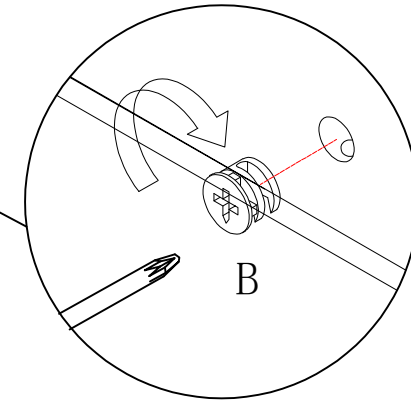
	B*8
	J*4
	L*2

put B on board 8 10 12 13

8

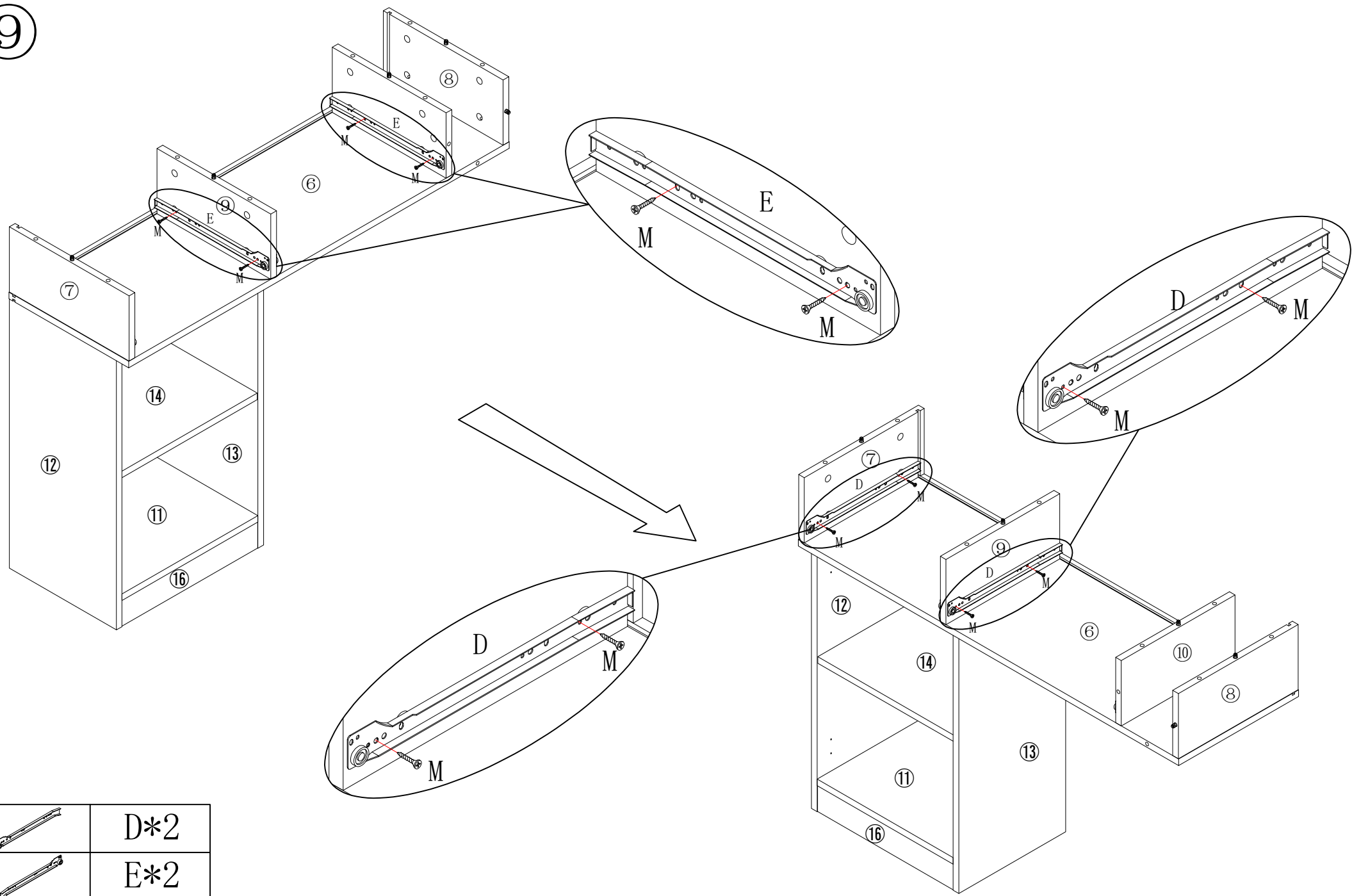





Make sure the arrow on the screw align to the hole on the side.



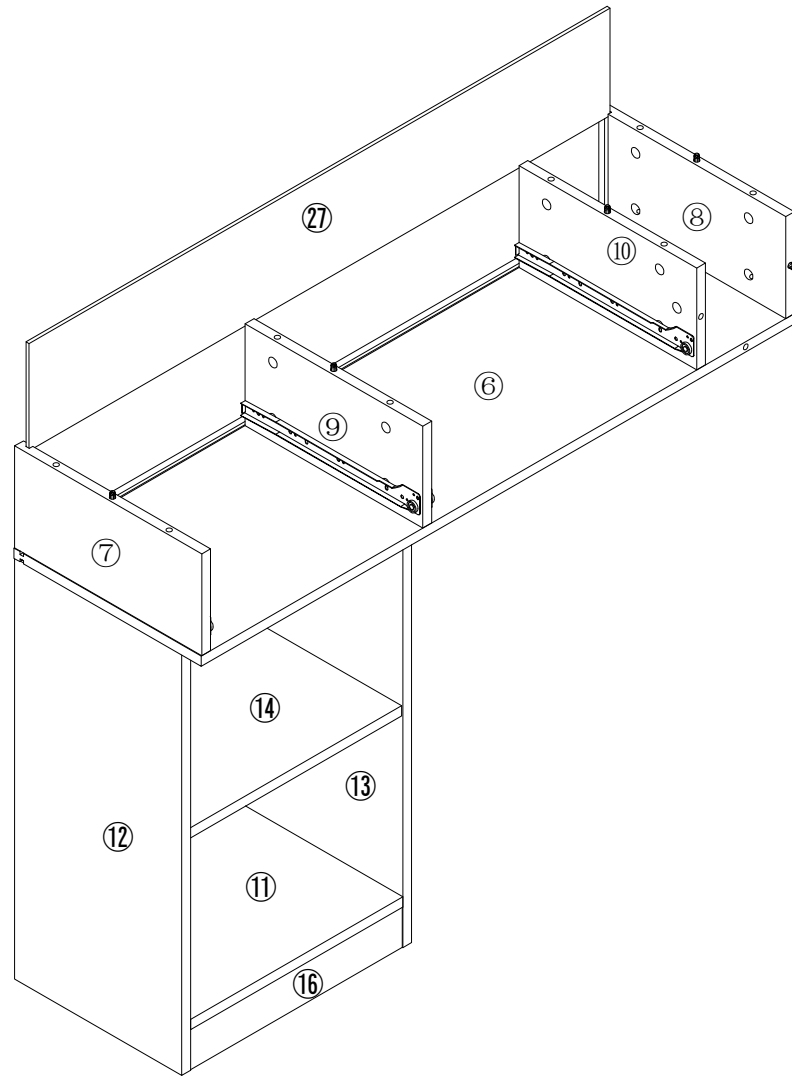
B*4 put B on board ⑦⑨

9



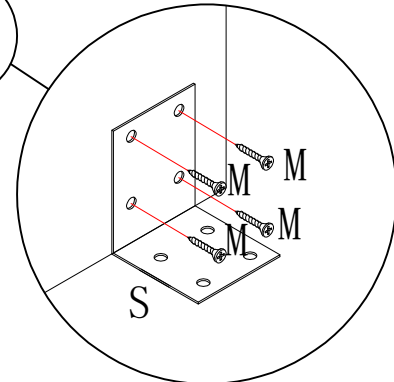
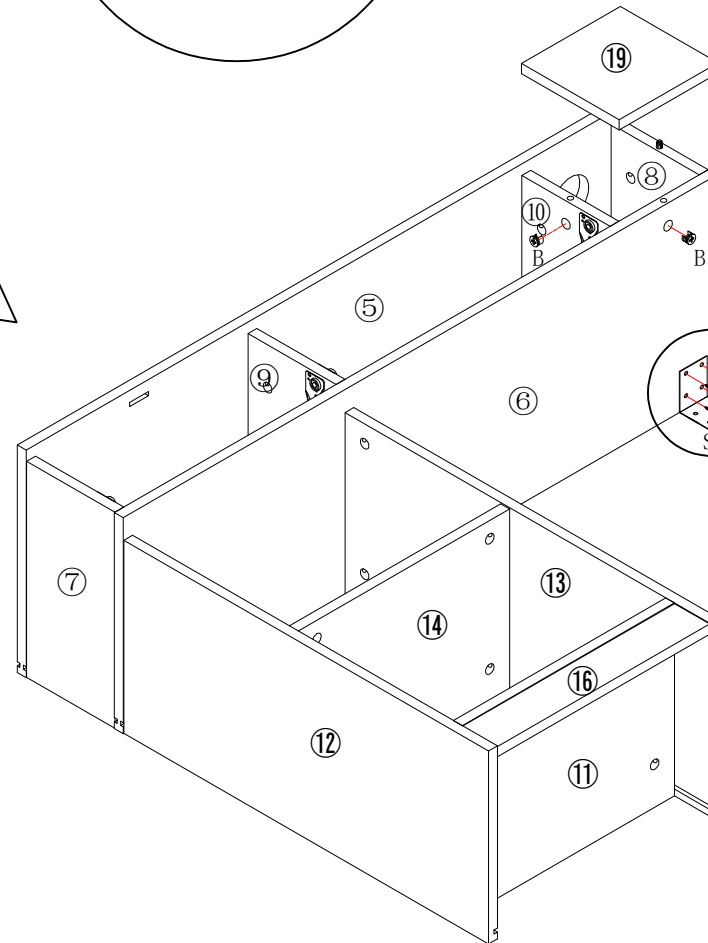
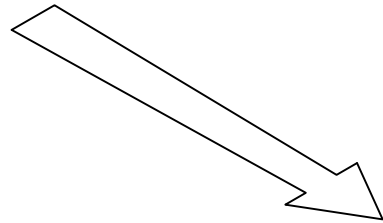
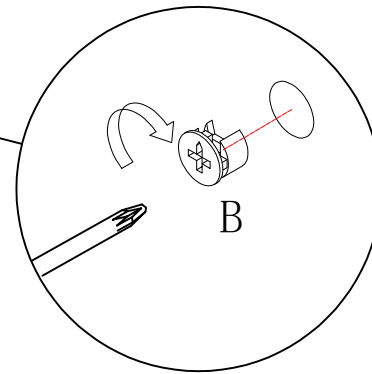
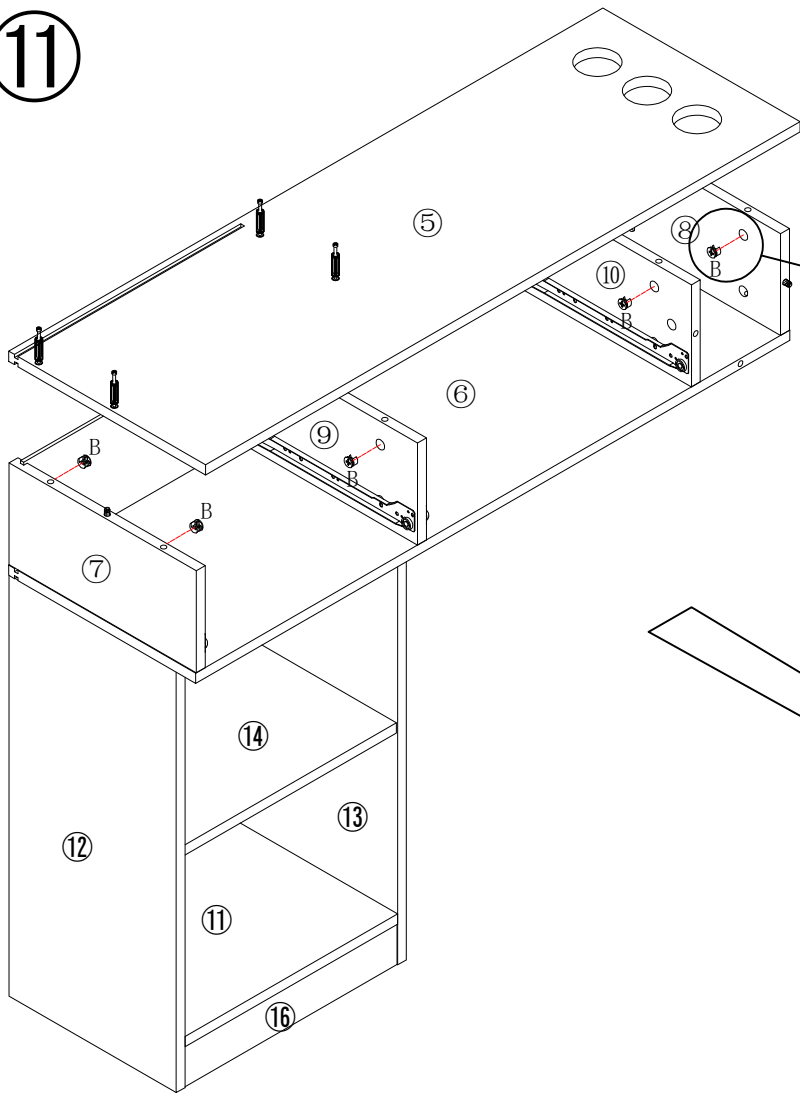
	D*2
	E*2
	M*8



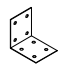
10



11

Make sure the arrow on the screw align to the hole on the side.

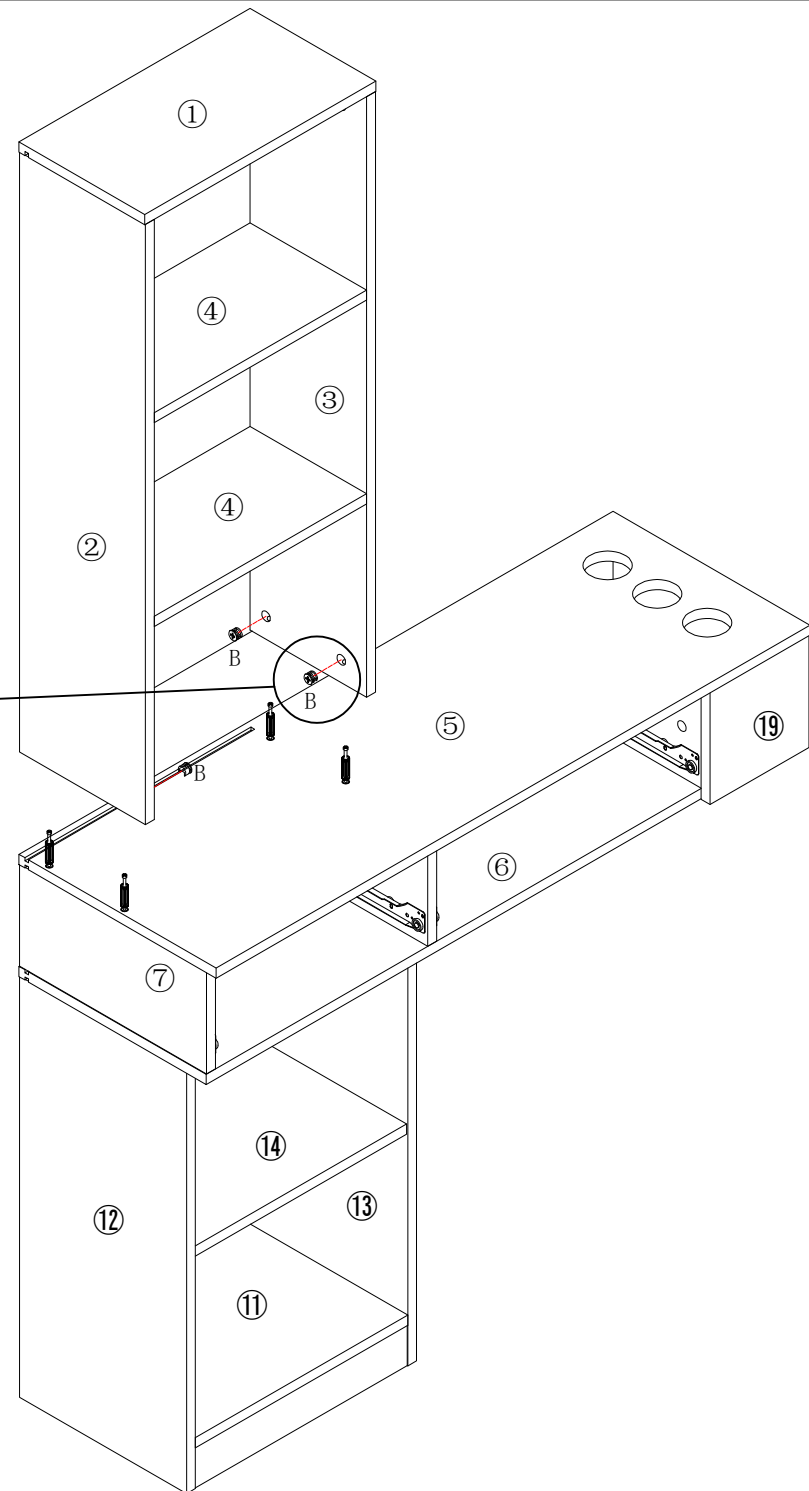
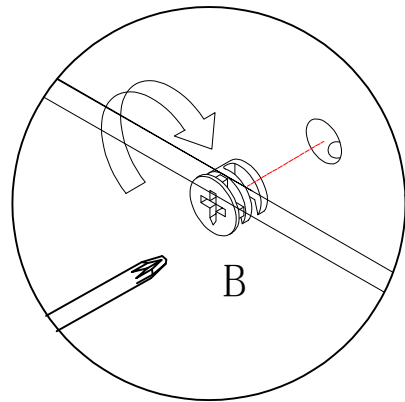


	B*10
	M*4
	S*1

put B on board ⑦⑧⑨⑩

12

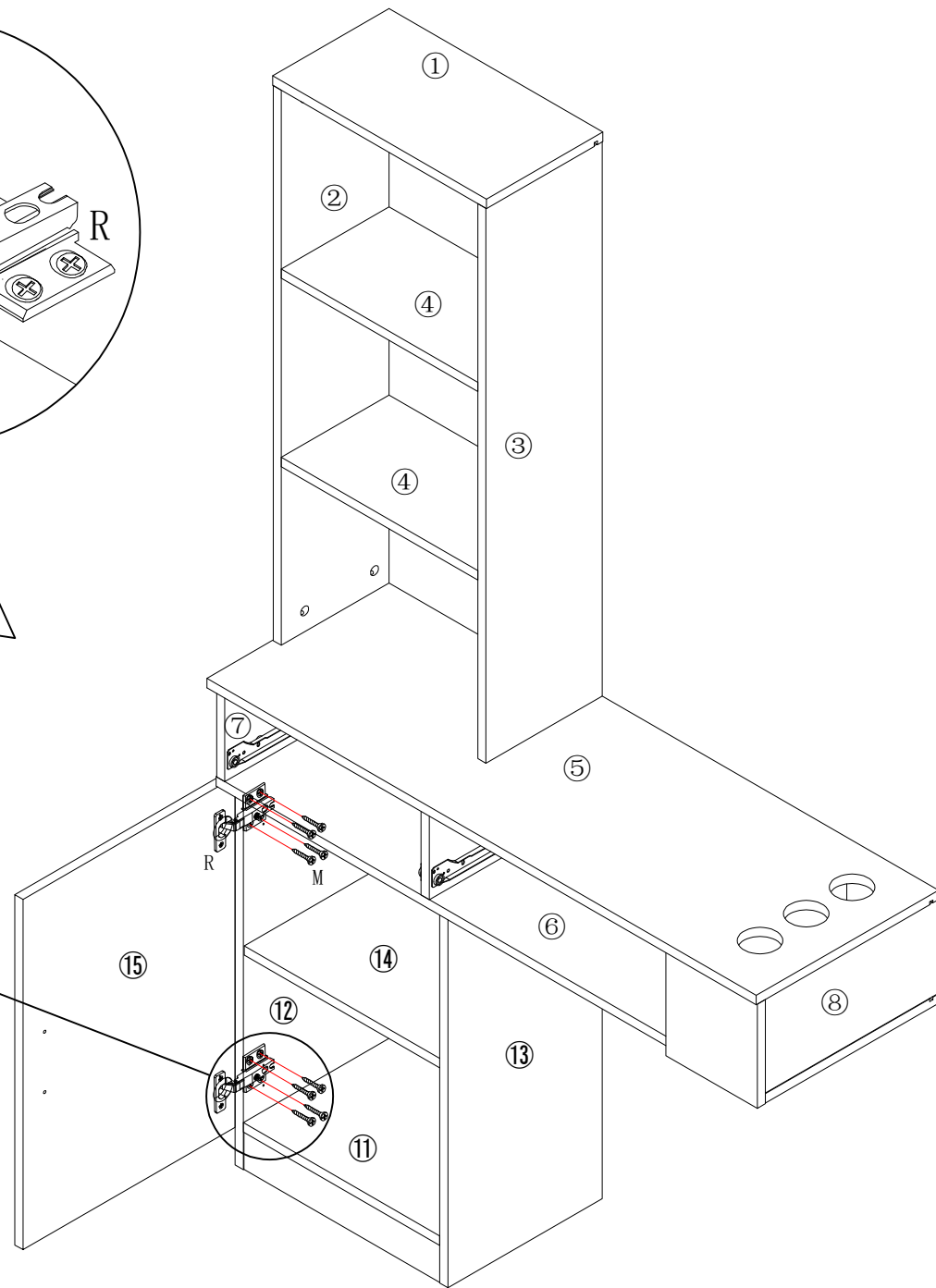
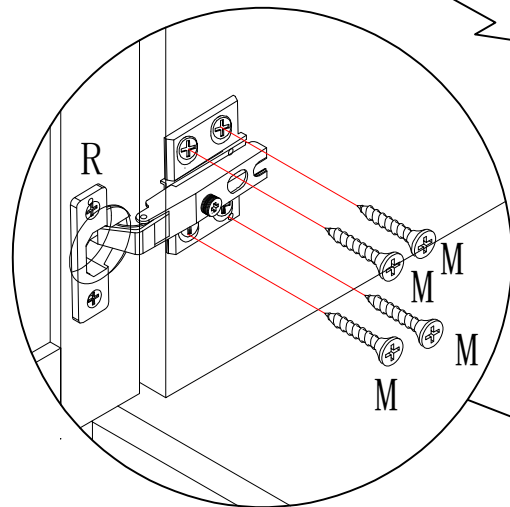
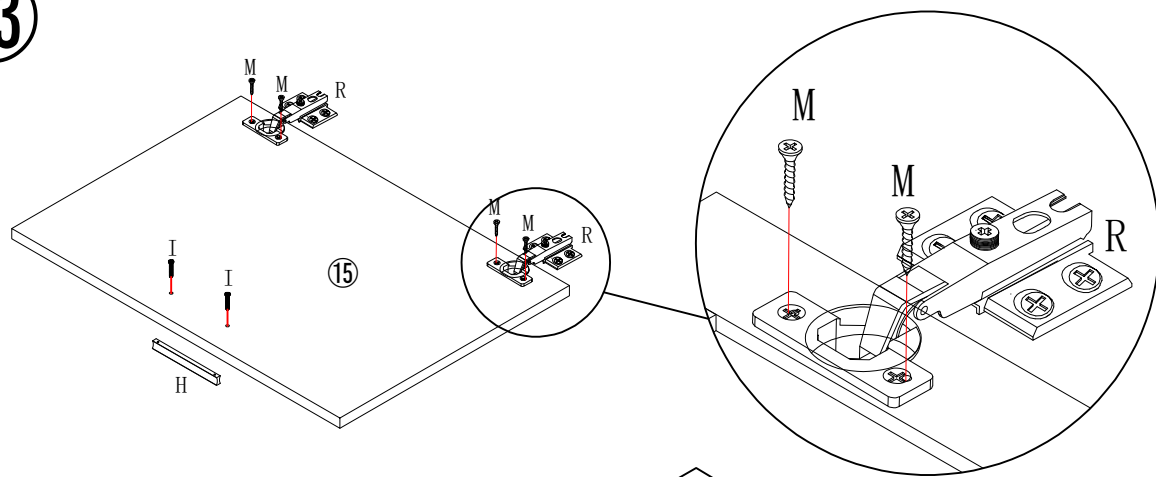
Make sure the arrow on the screw align to the hole on the side.







B*4

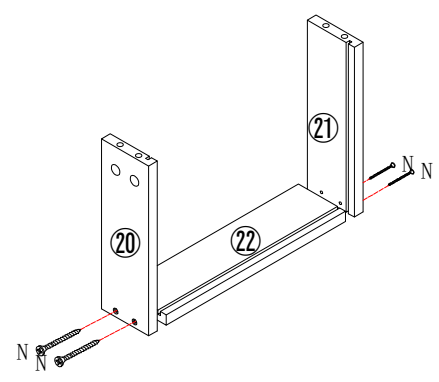
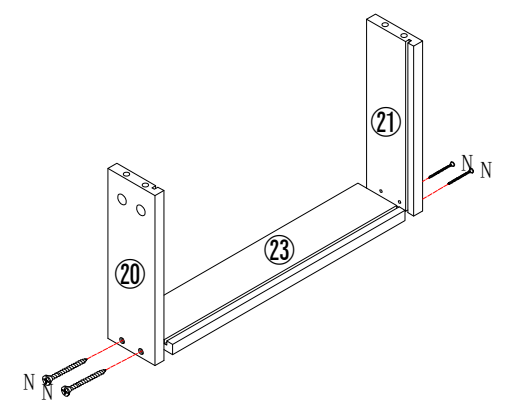
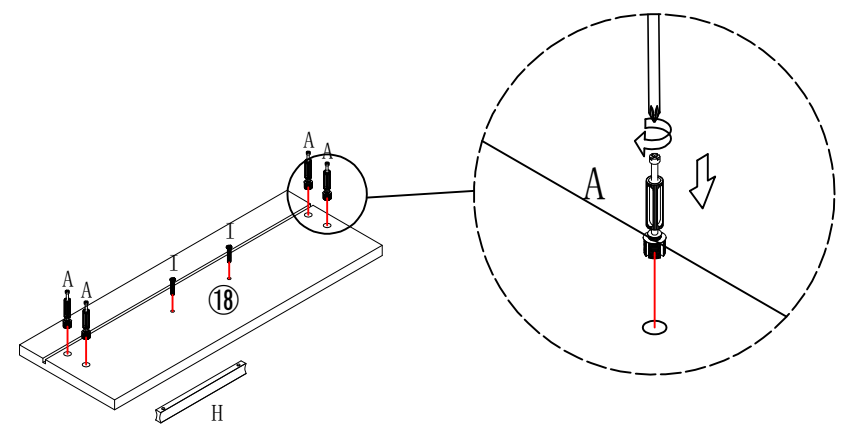
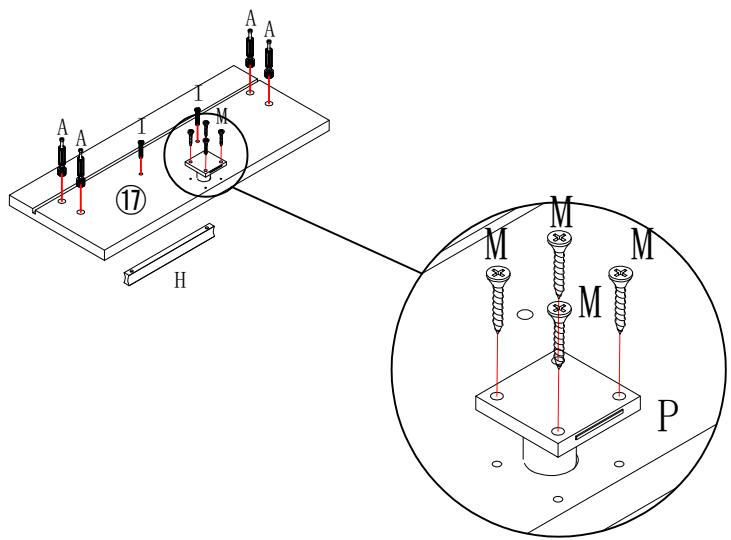
put B on board ②③






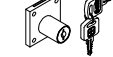
13



	H*1
	I*2
	M*12
	R*2

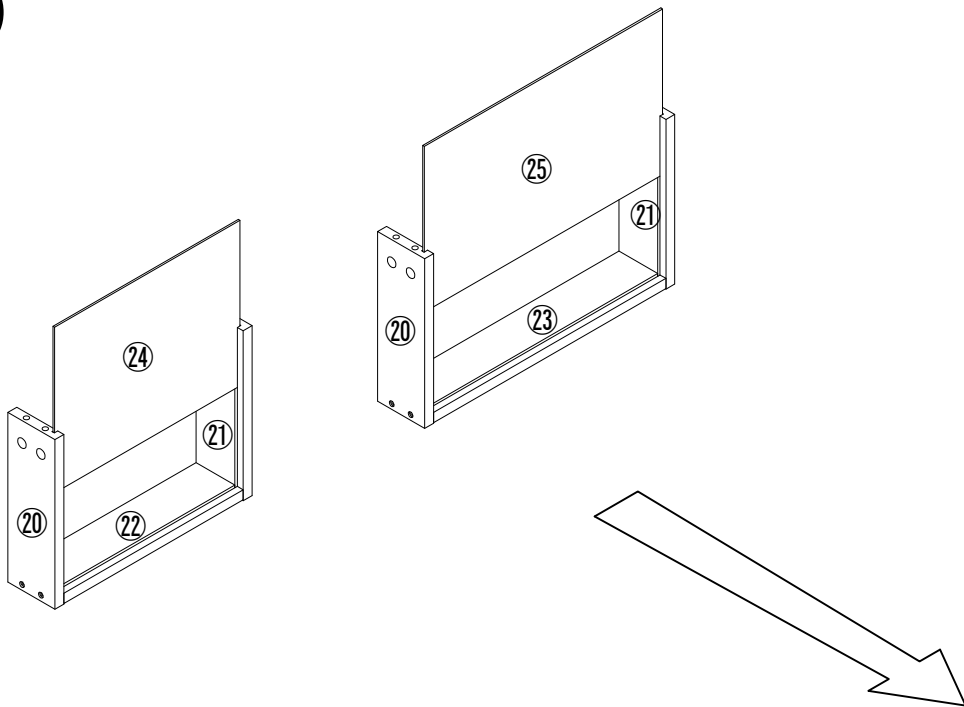
14



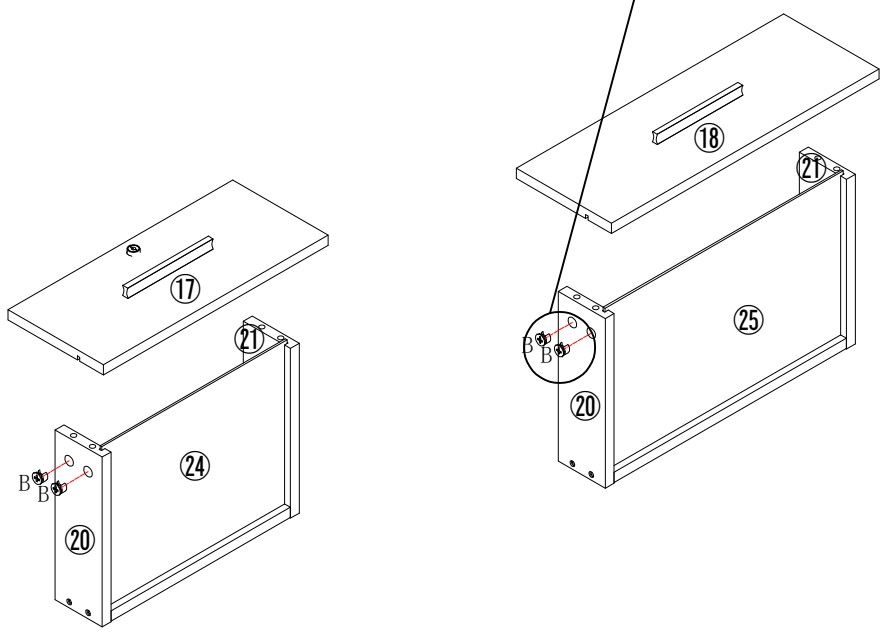
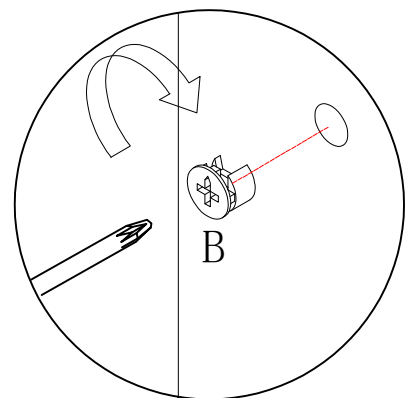
	A*8
	H*2
	I*4
	M*4
	N*8
	P*1

put A on board 17 18

15



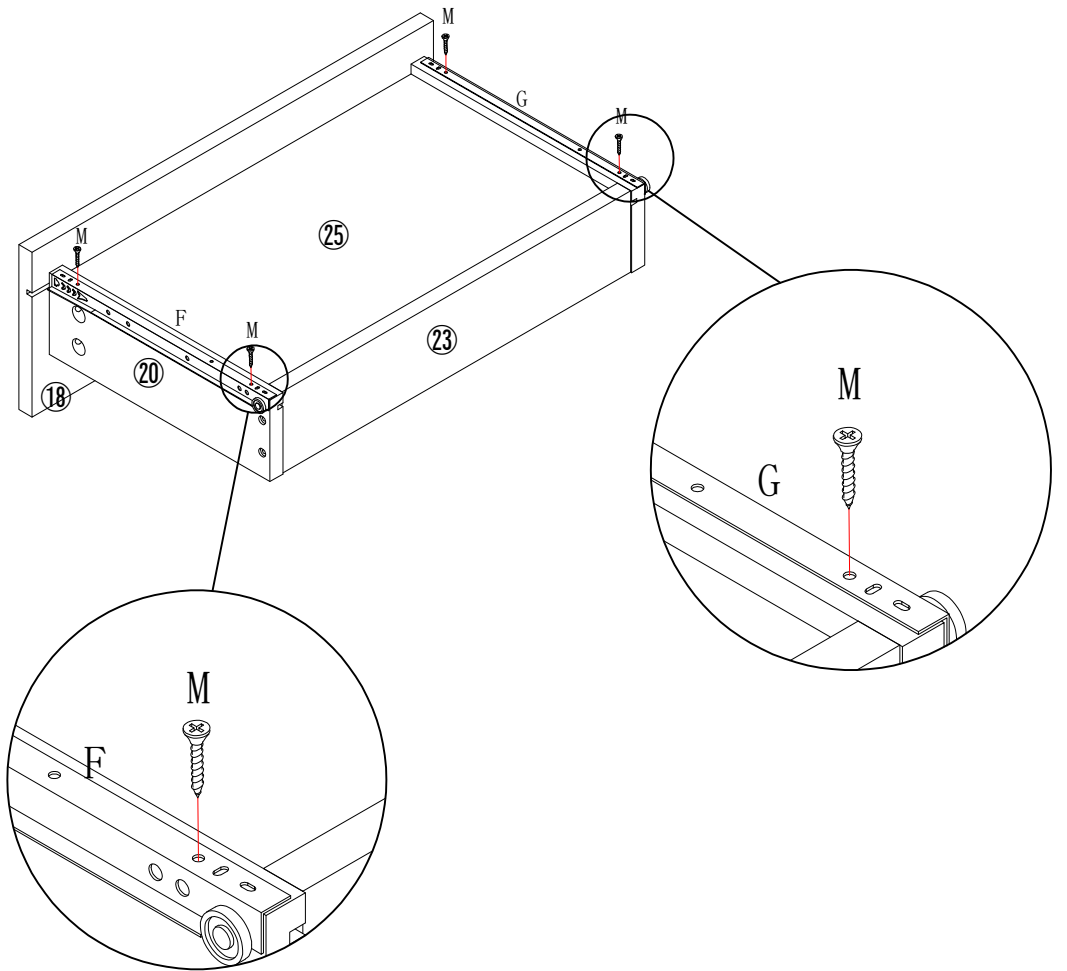
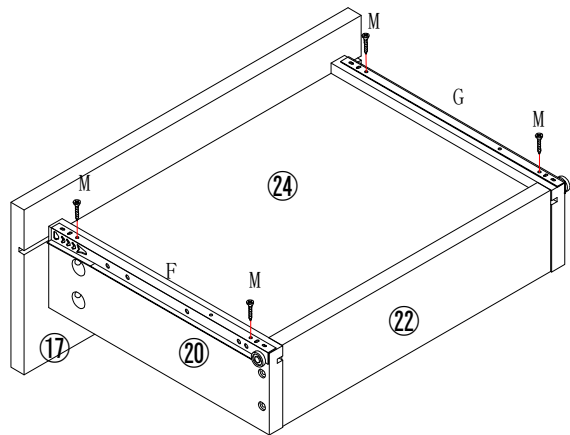
Make sure the arrow on the screw align to the hole on the side.



B*8

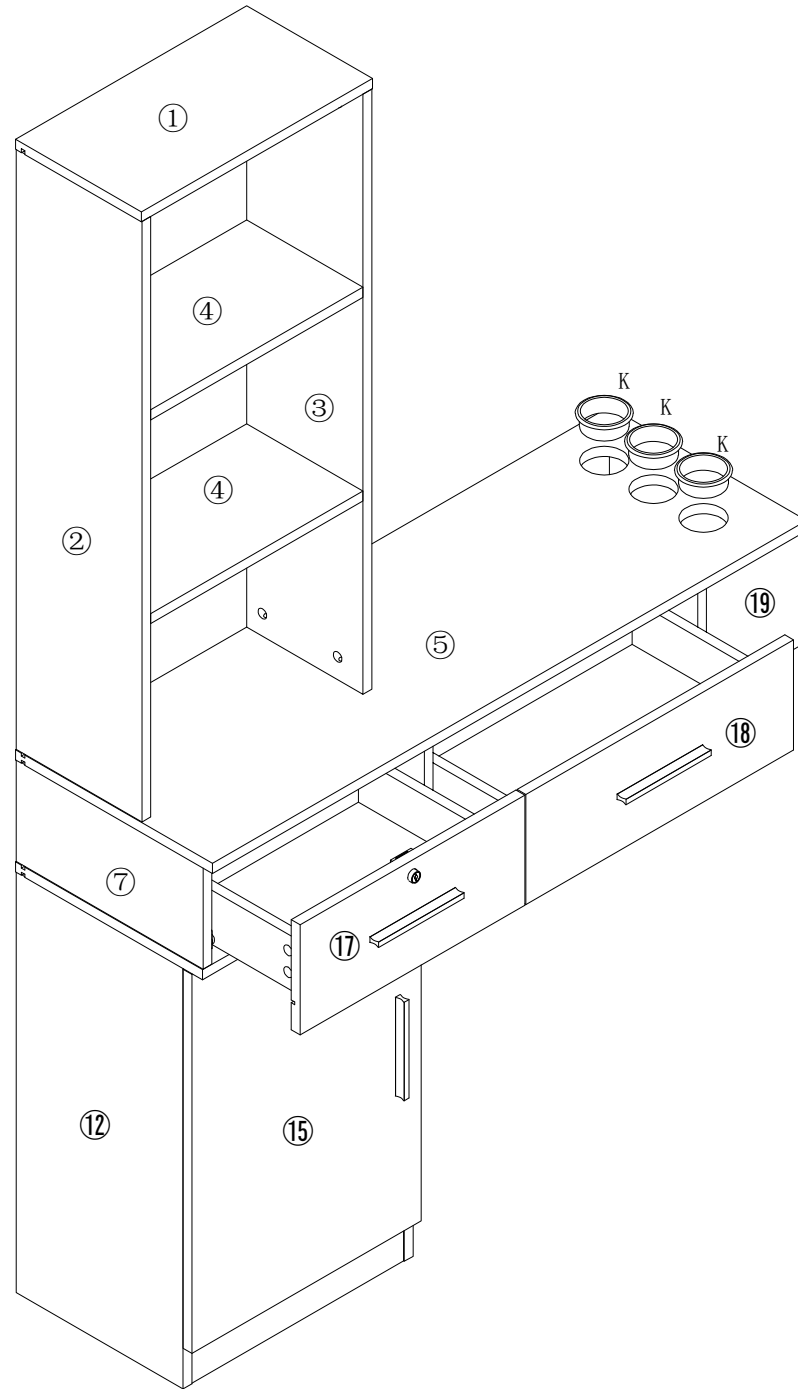
put B on board 20 21

16



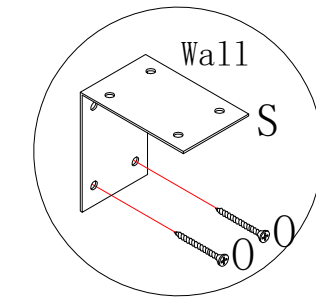
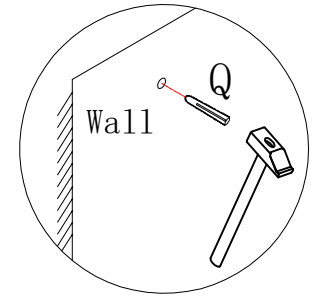
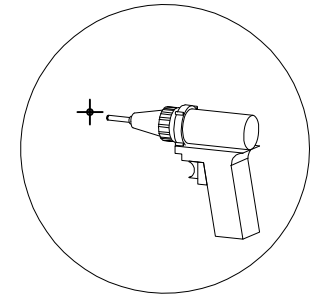
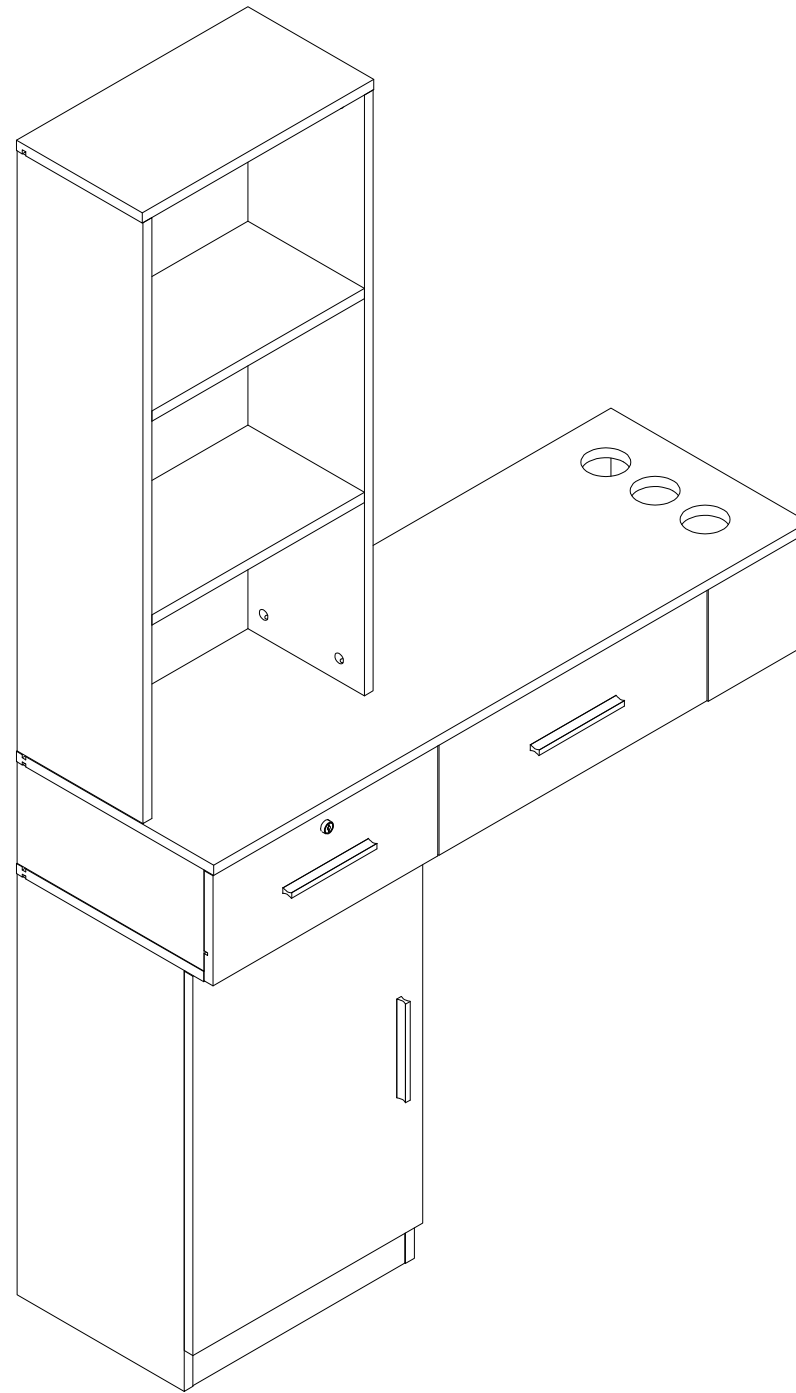
	F*2
	G*2
	M*8

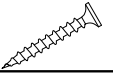

17



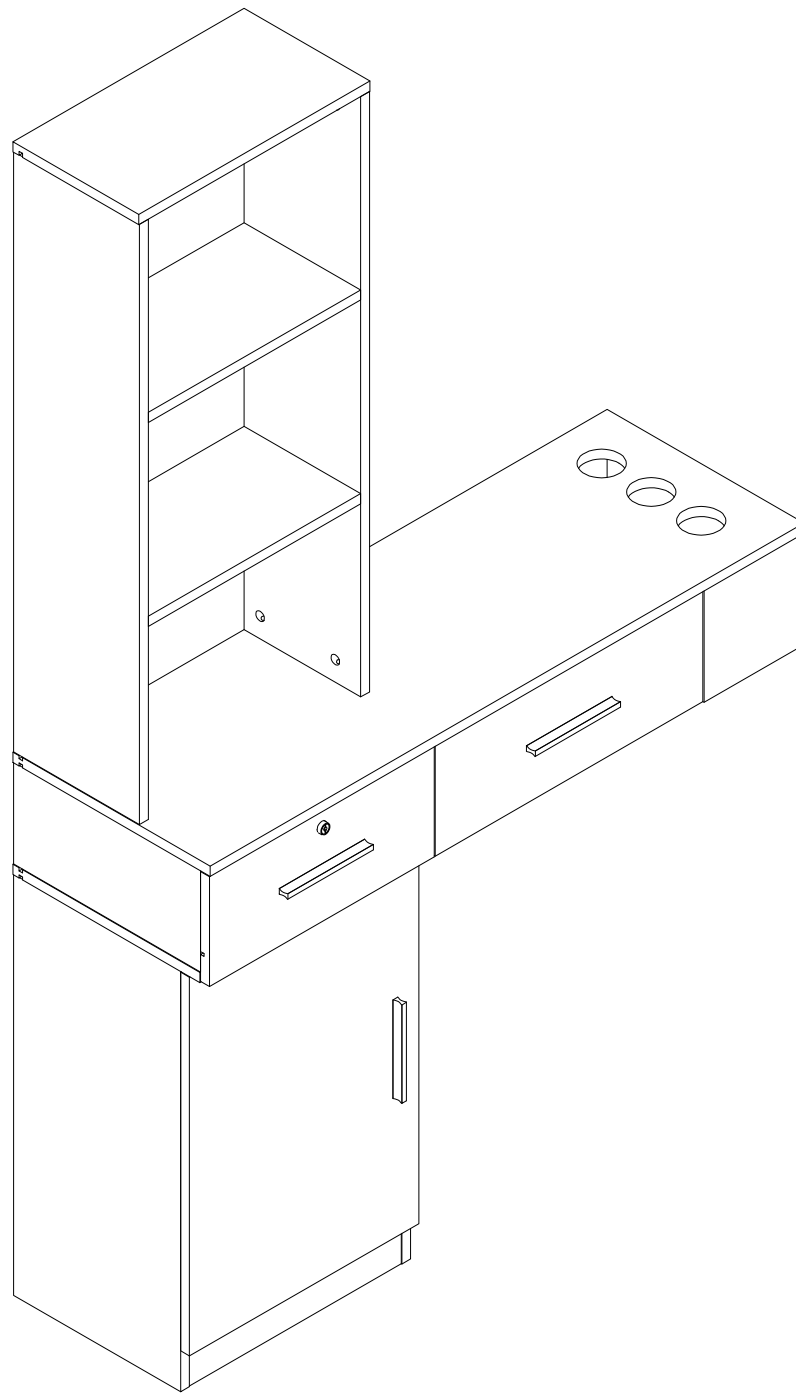
K*3

18



	0*2
	Q*2

19



---END---