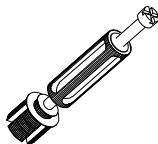
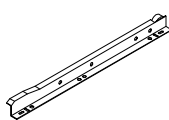


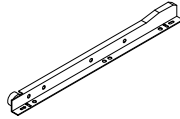
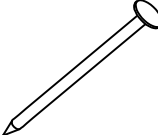
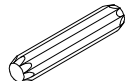
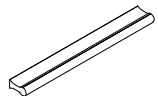


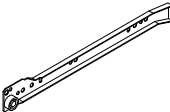

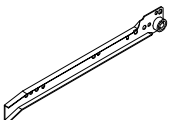
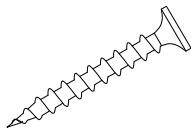
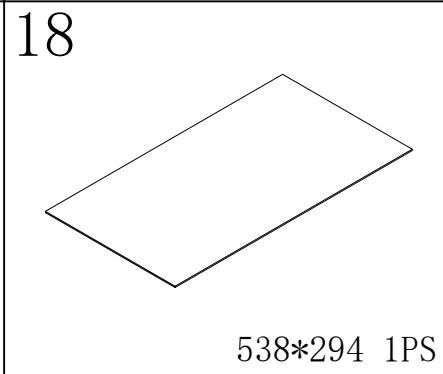
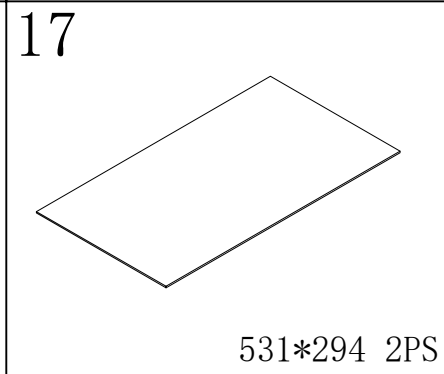
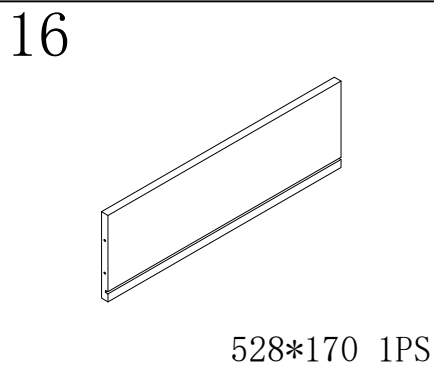
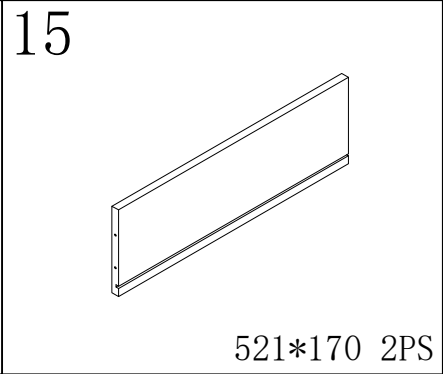
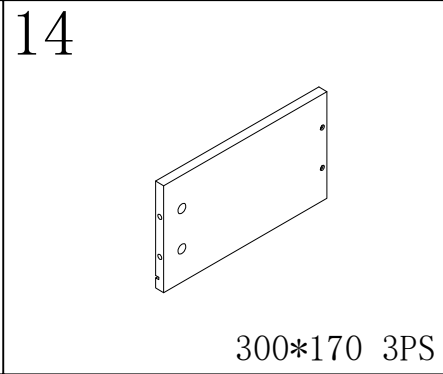
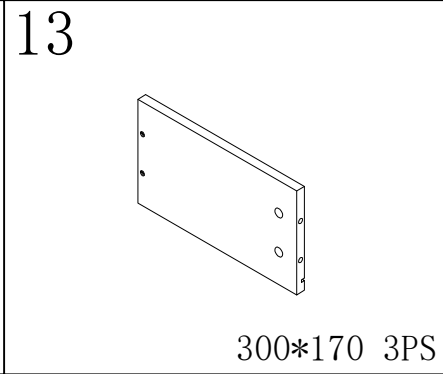
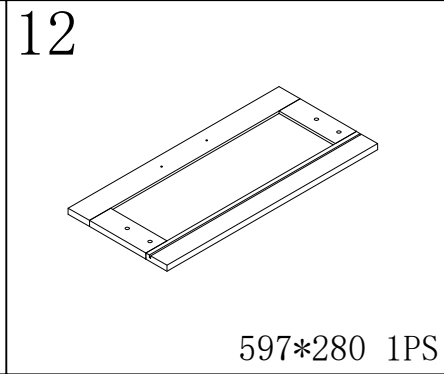
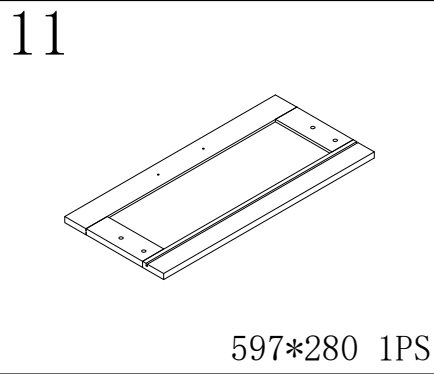
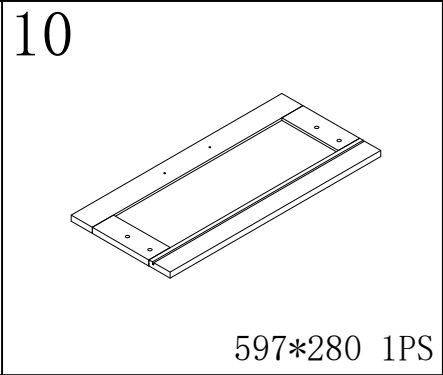
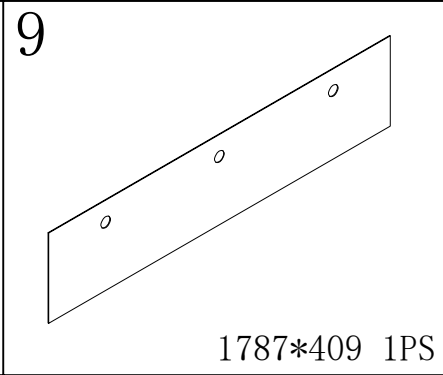
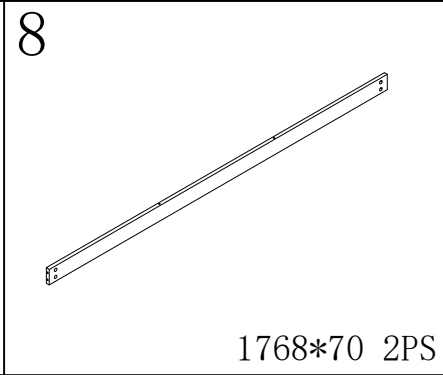
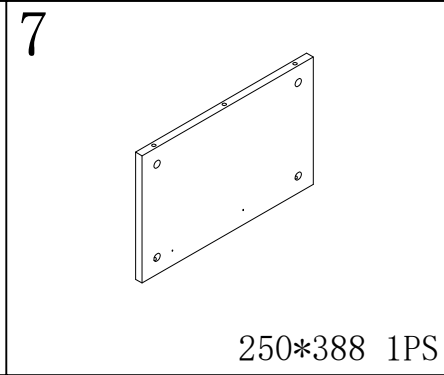
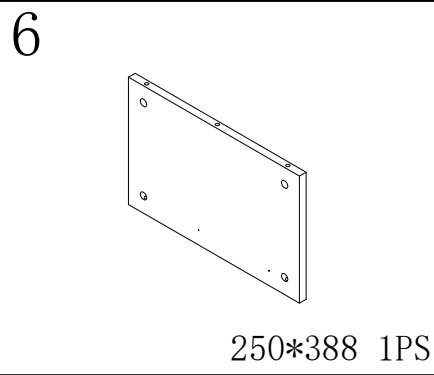
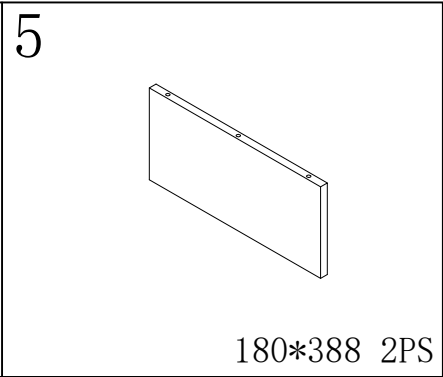
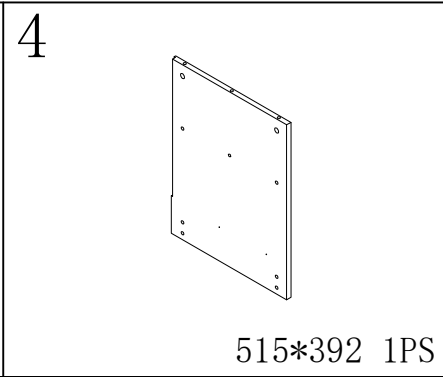
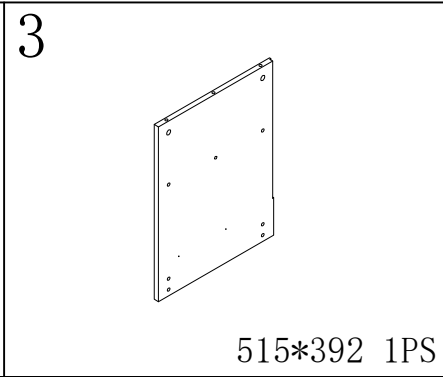
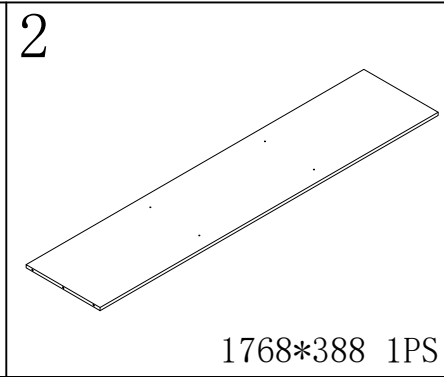
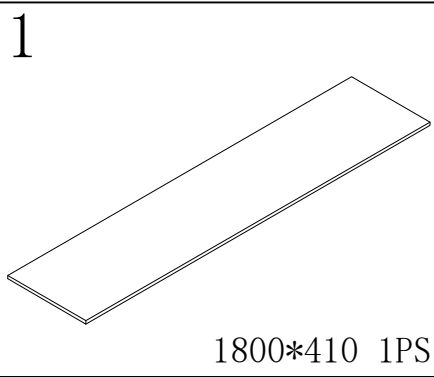


<p>A</p>  <p>40PCS</p>	<p>G</p> <p>300MM</p>  <p>3PCS</p>	<p>M</p>  <p>8PCS</p>
<p>B</p>  <p>40PCS</p>	<p>H</p> <p>300MM</p>  <p>3PCS</p>	<p>N</p>  <p>18PCS</p>
<p>C</p> <p>8*40</p>  <p>8PCS</p>	<p>I</p> <p>128MM</p>  <p>3PCS</p>	
<p>D</p> <p>7*50</p>  <p>4PCS</p>	<p>J</p> <p>4*20</p>  <p>6PCS</p>	
<p>E</p> <p>300MM</p>  <p>3PCS</p>	<p>K</p> <p>3.5*14</p>  <p>24PCS</p>	
<p>F</p> <p>300MM</p>  <p>3PCS</p>	<p>L</p> <p>3.5*35</p>  <p>12PCS</p>	

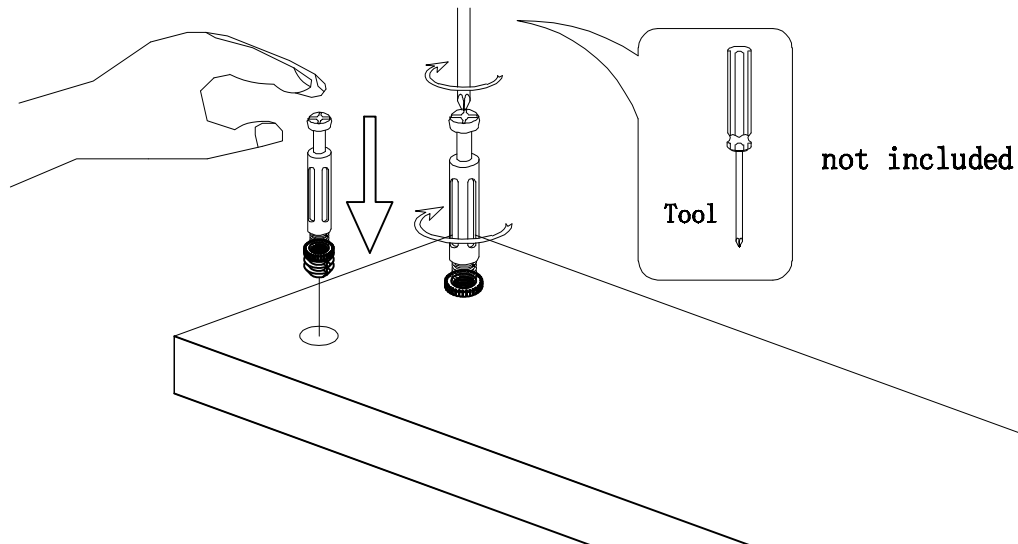




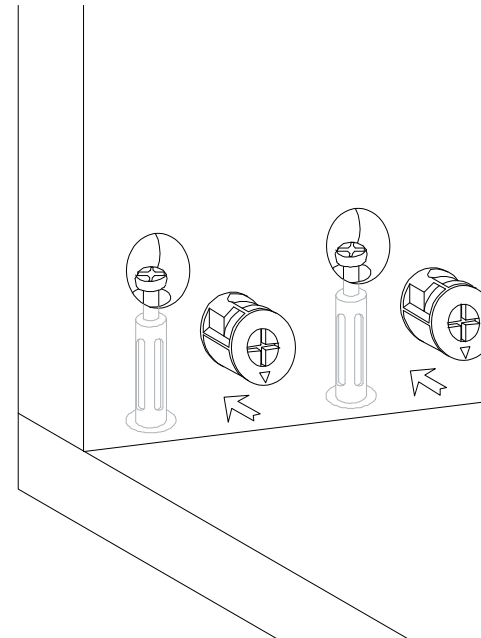
Hardware installation demonstration

NOTE: Please make sure "A" hardware tightened and can't be pulled out!

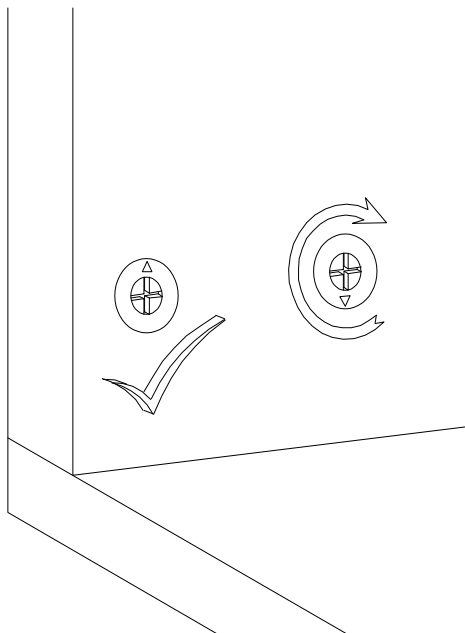
I



II



III

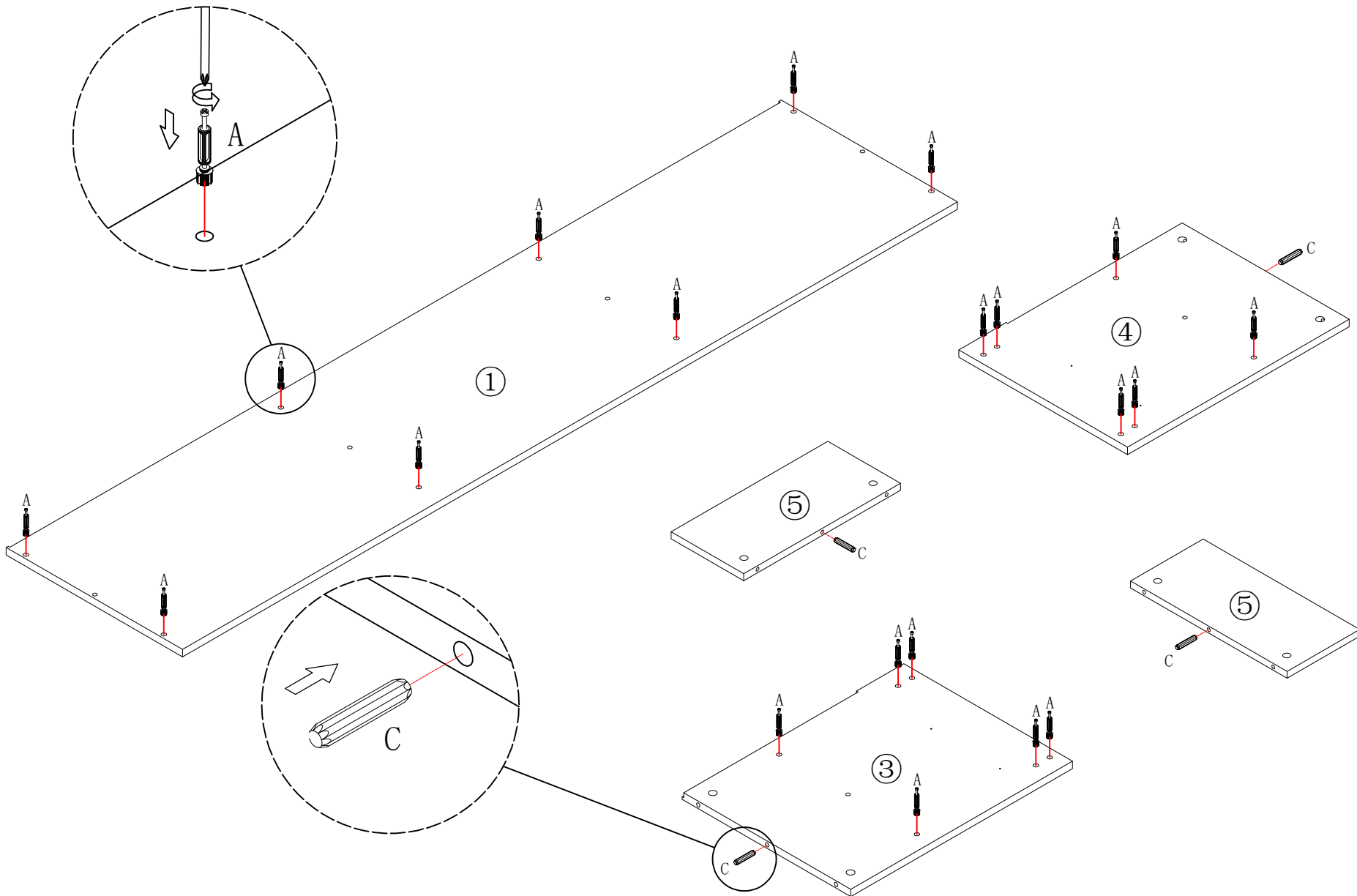



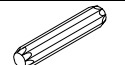
IV



Scan QR code for assembly video

1

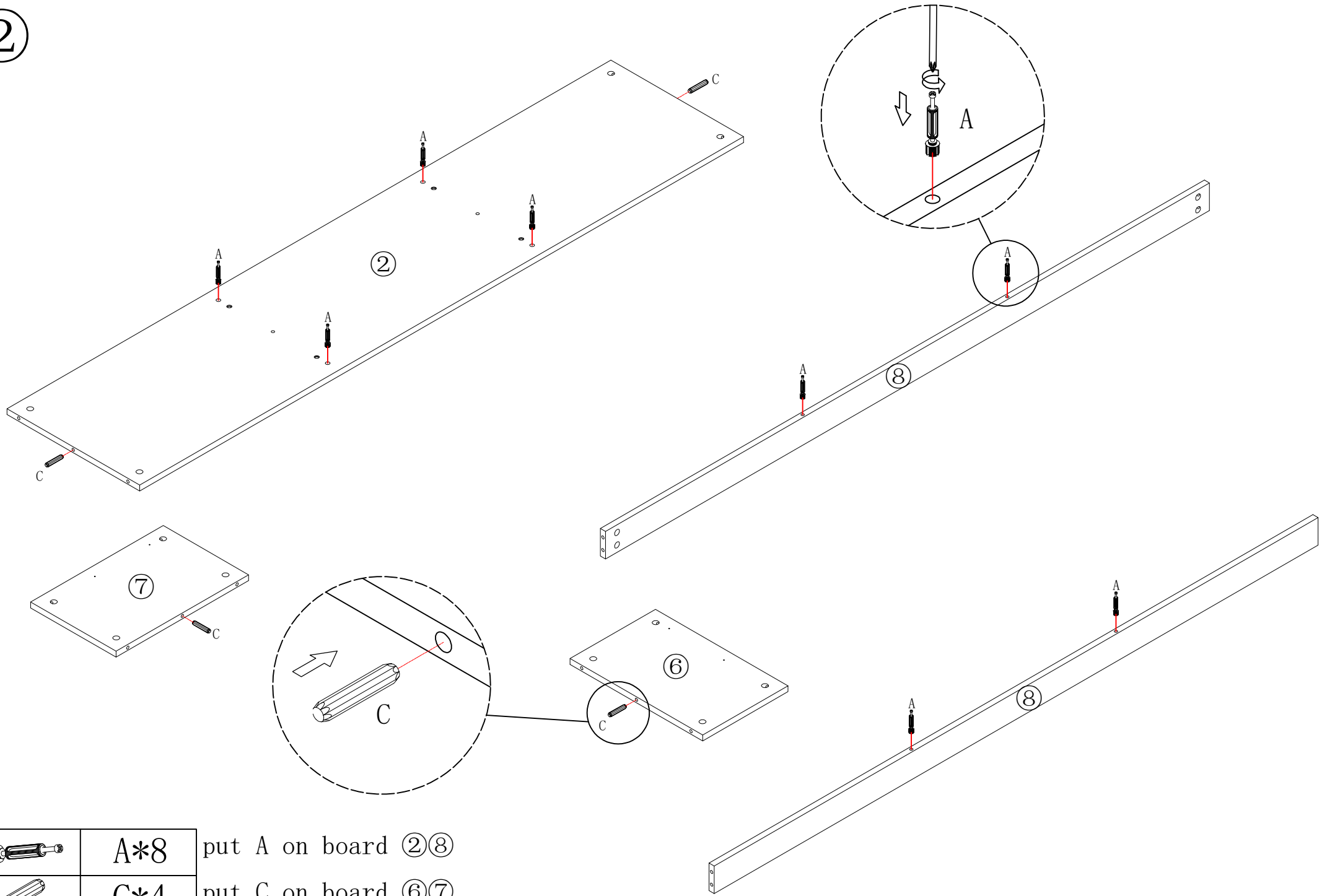



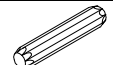
	A*20
	C*4

put A on board ①③④

put C on board ③④⑤

2

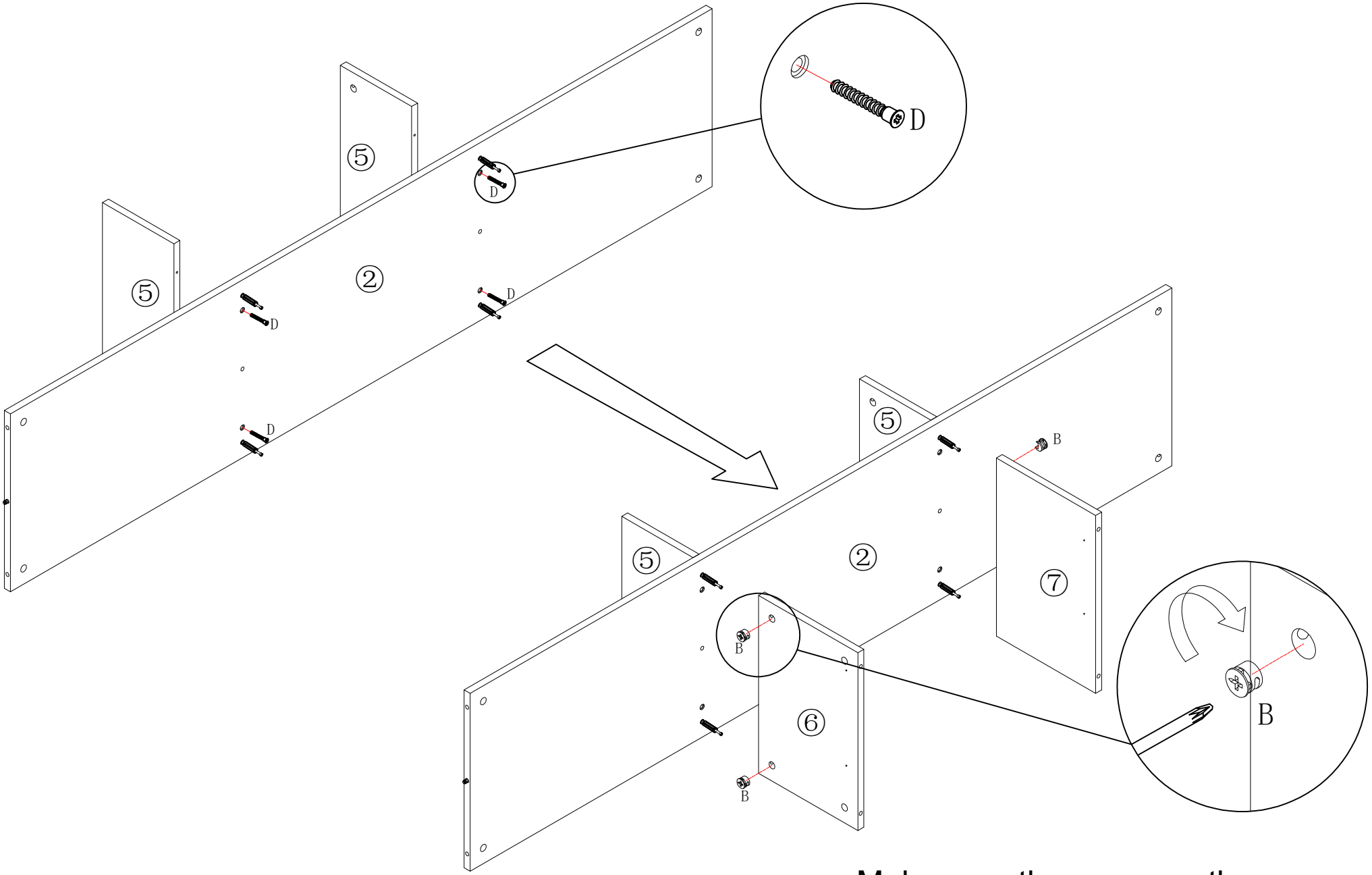




	A*8
	C*4

put A on board ②⑧

put C on board ⑥⑦

3



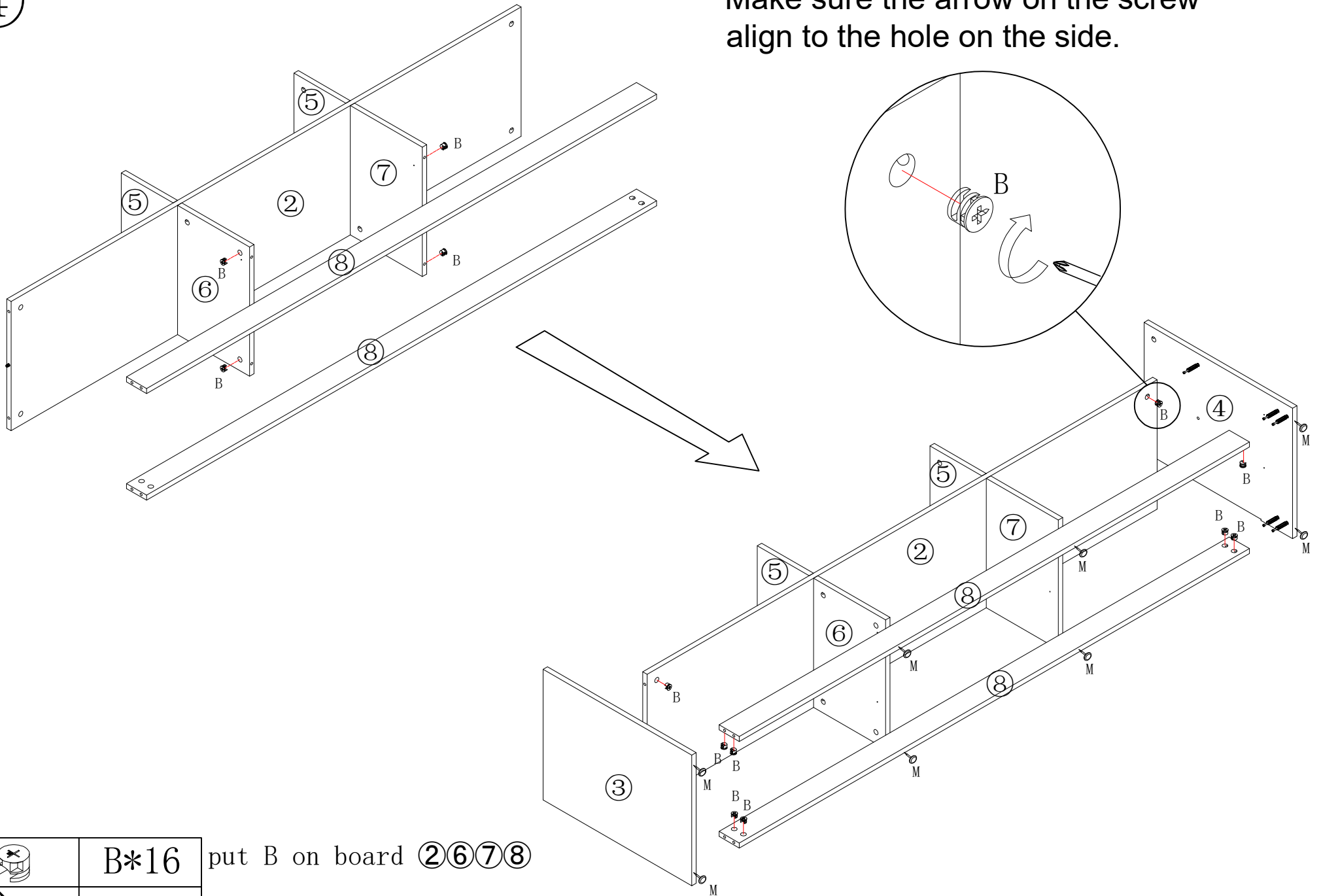
	B*4
	D*4

put B on board ⑥⑦

Make sure the arrow on the screw align to the hole on the side.

4

Make sure the arrow on the screw align to the hole on the side.



B*16

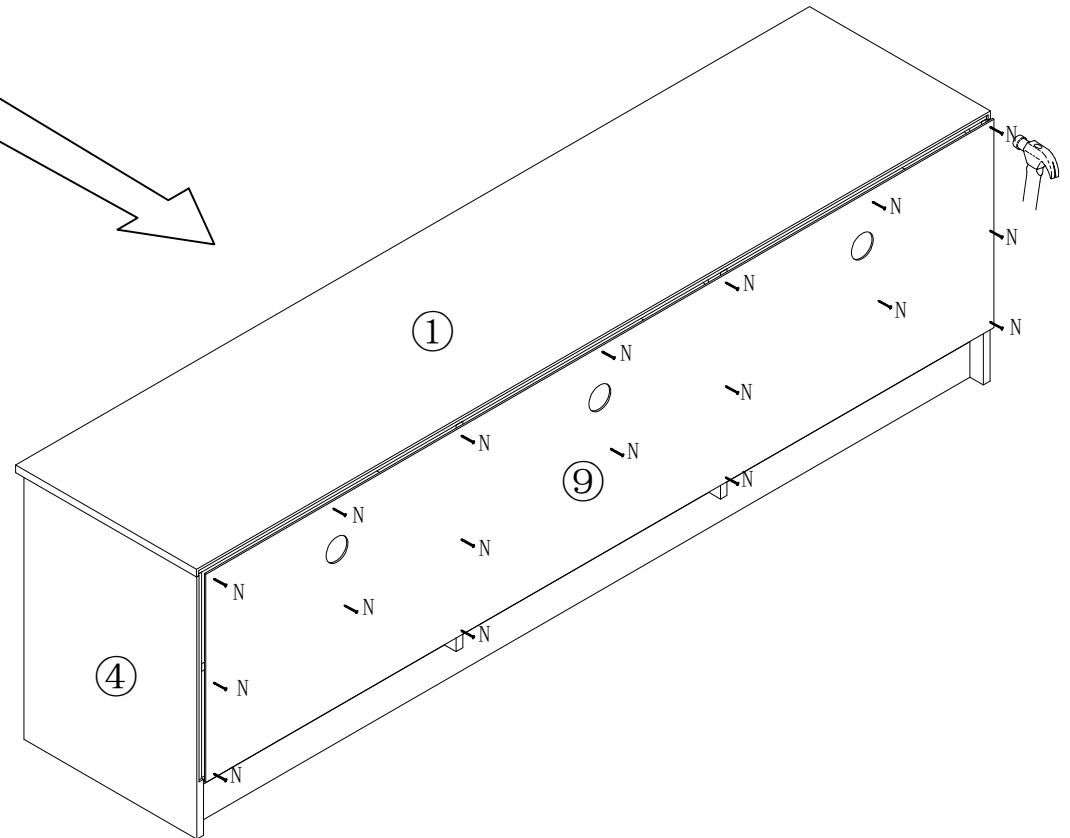
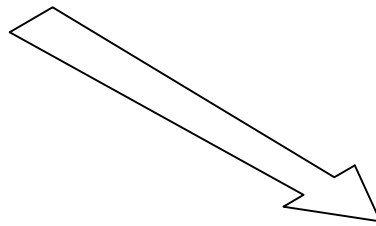
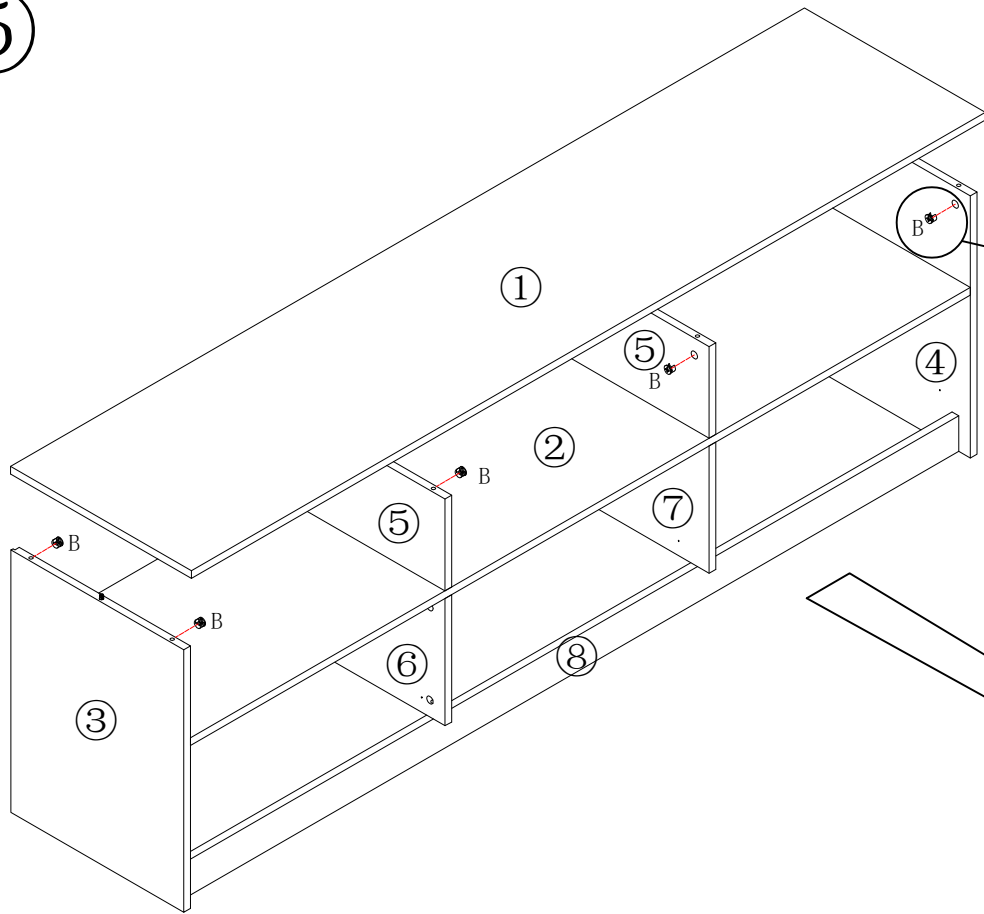
put B on board ②⑥⑦⑧



M*8

5

Make sure the arrow on the screw align to the hole on the side.



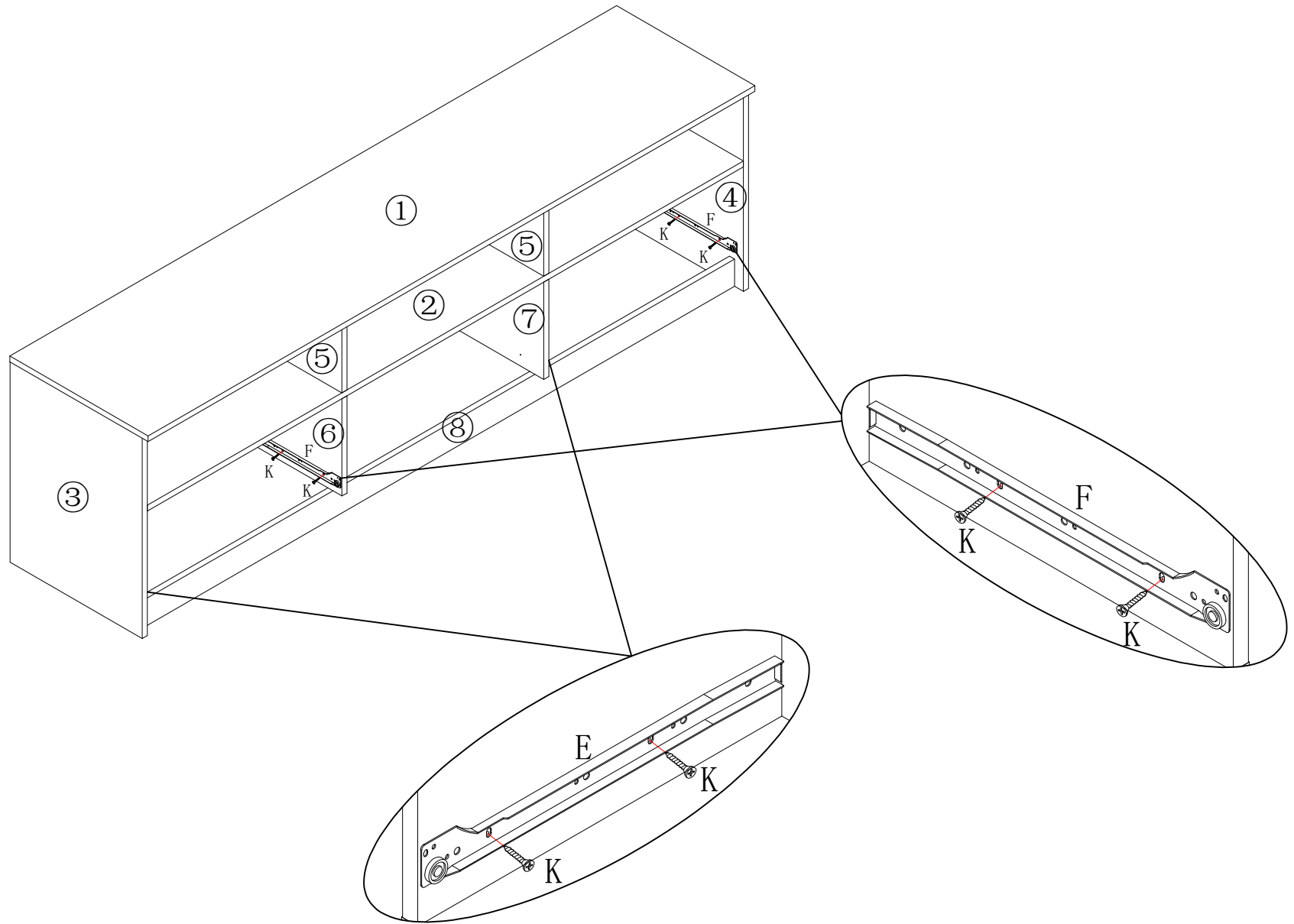
B*8

put B on board 3 4 5

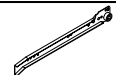


N*18

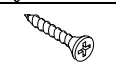
⑥



E*2

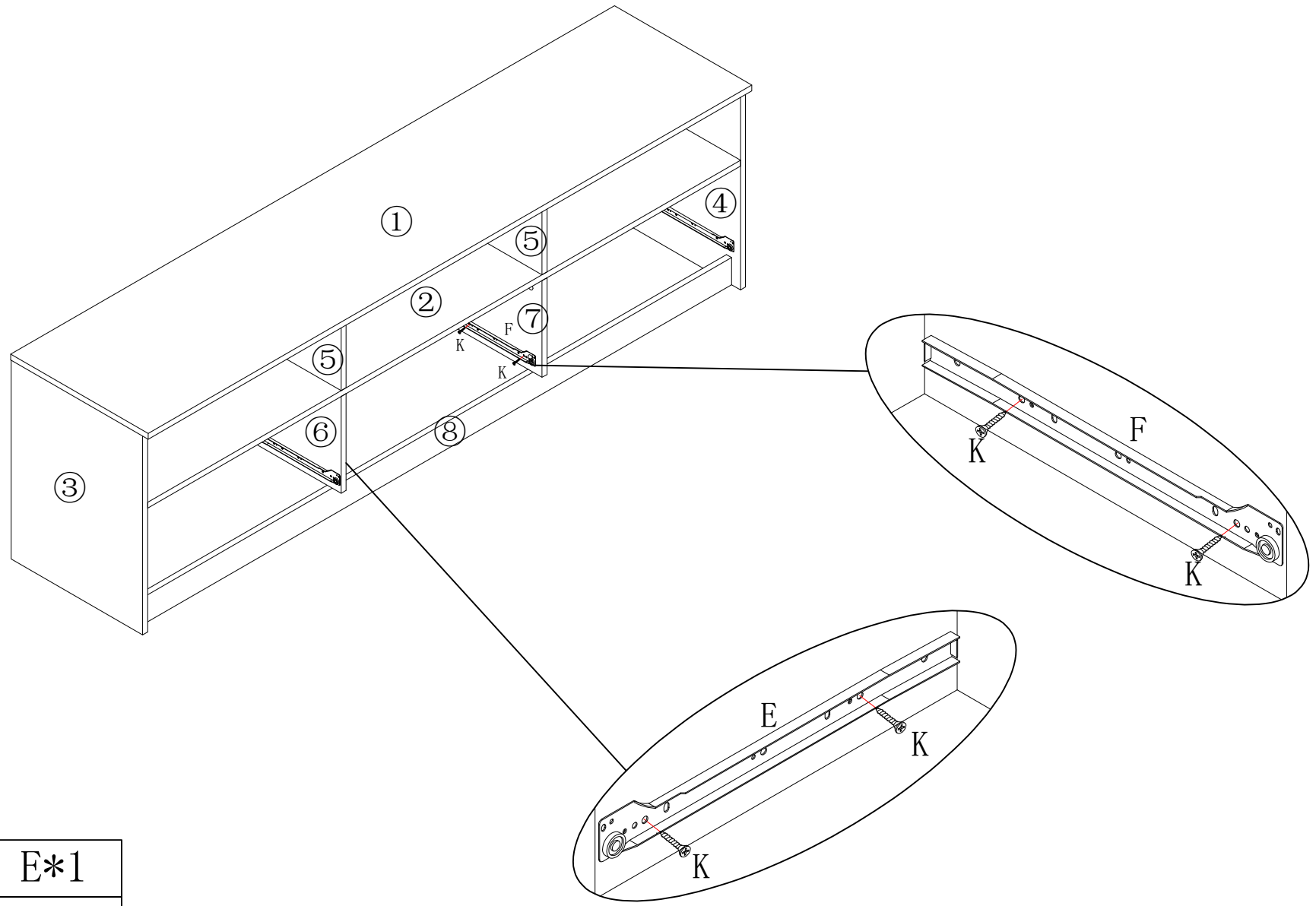





F*2



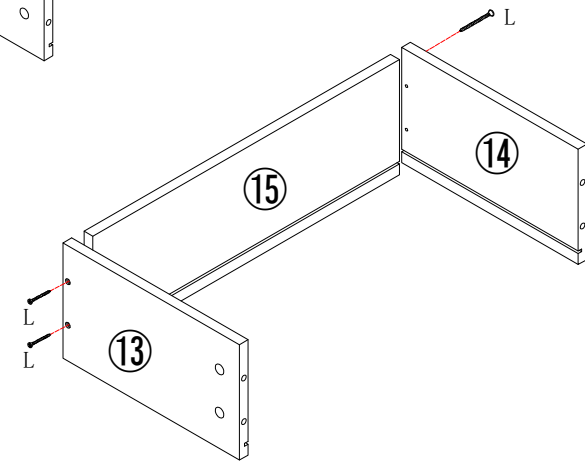
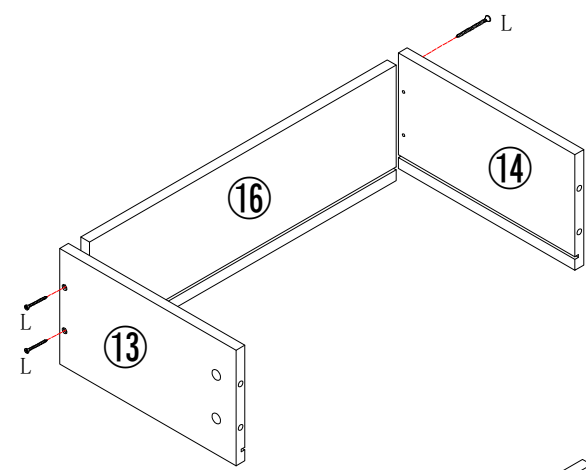
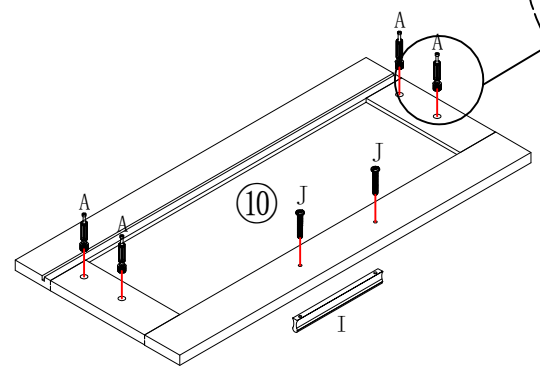
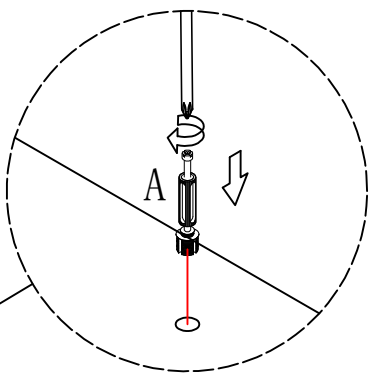
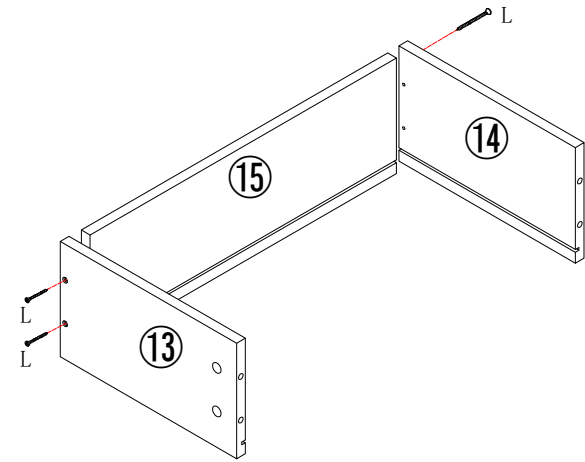
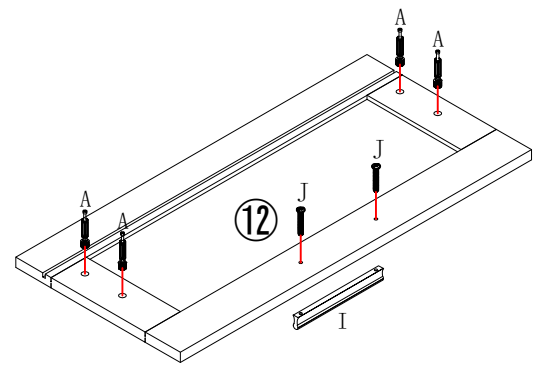
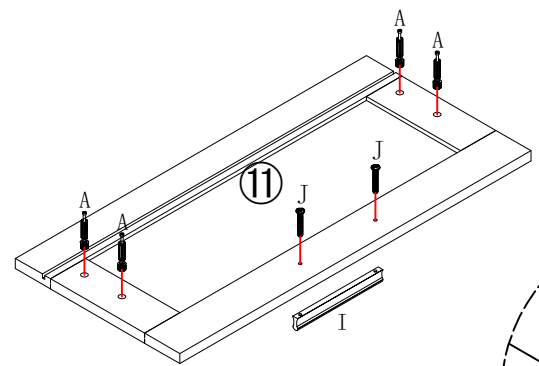
K*8





7



	E*1
	F*1
	K*4

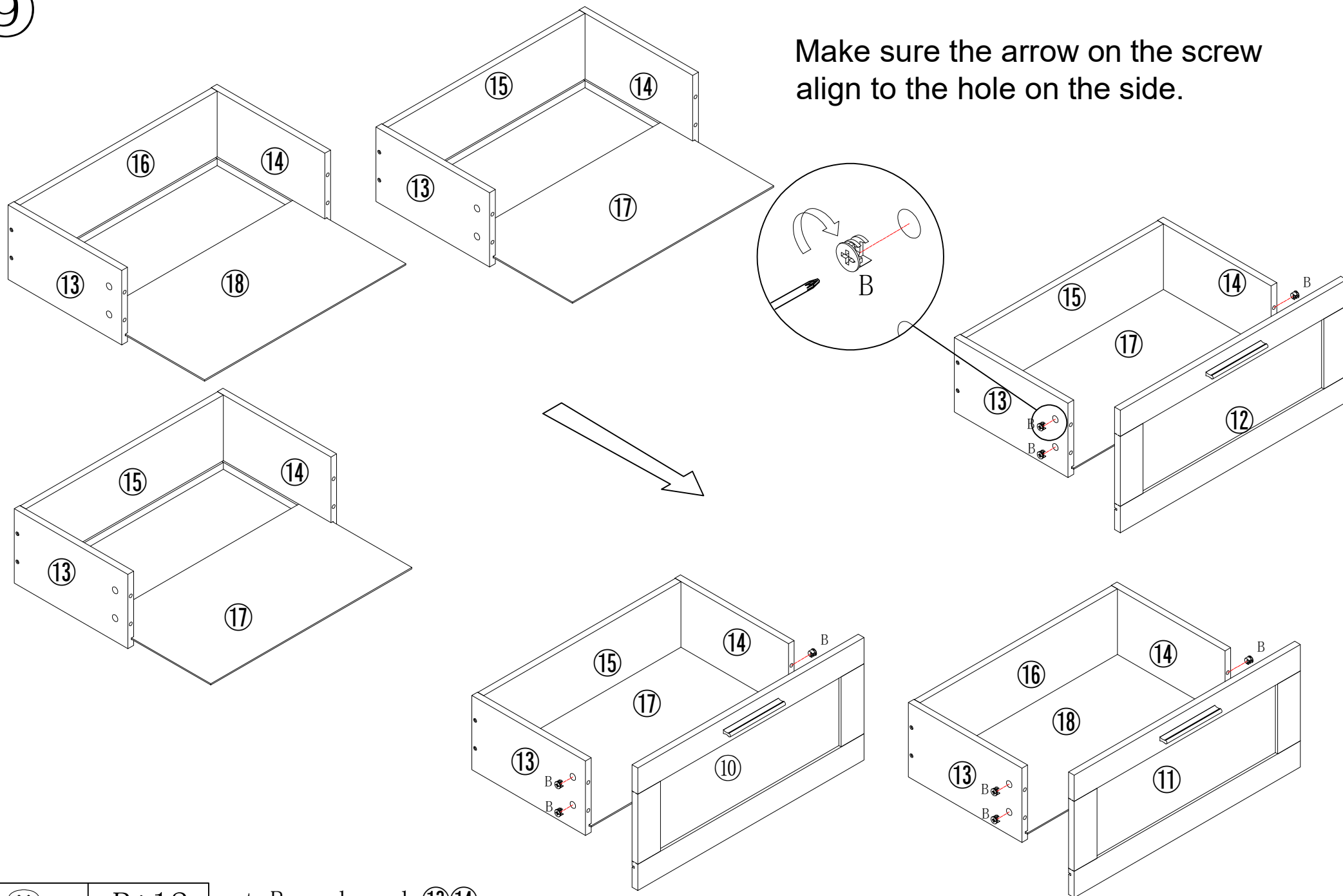
8



	A*12
	I*3
	J*6
	L*12

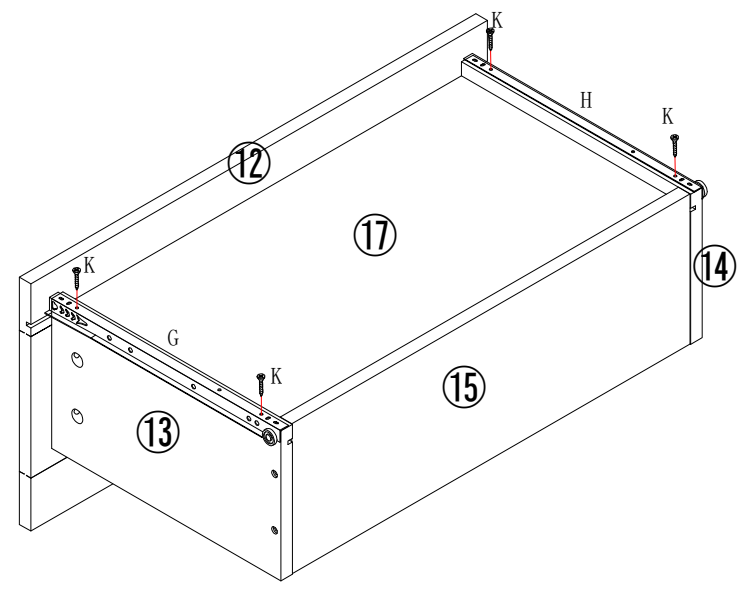
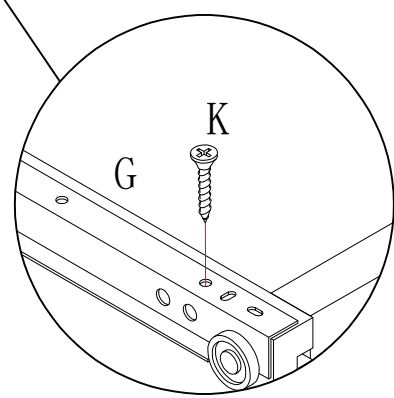
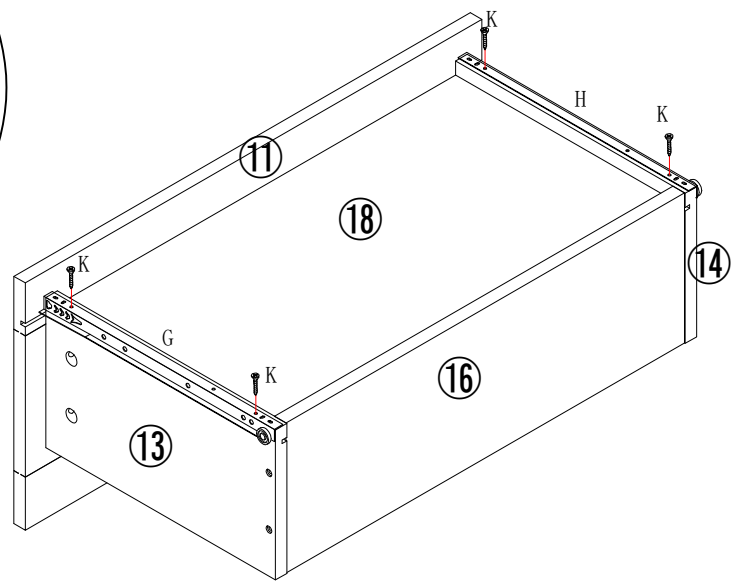
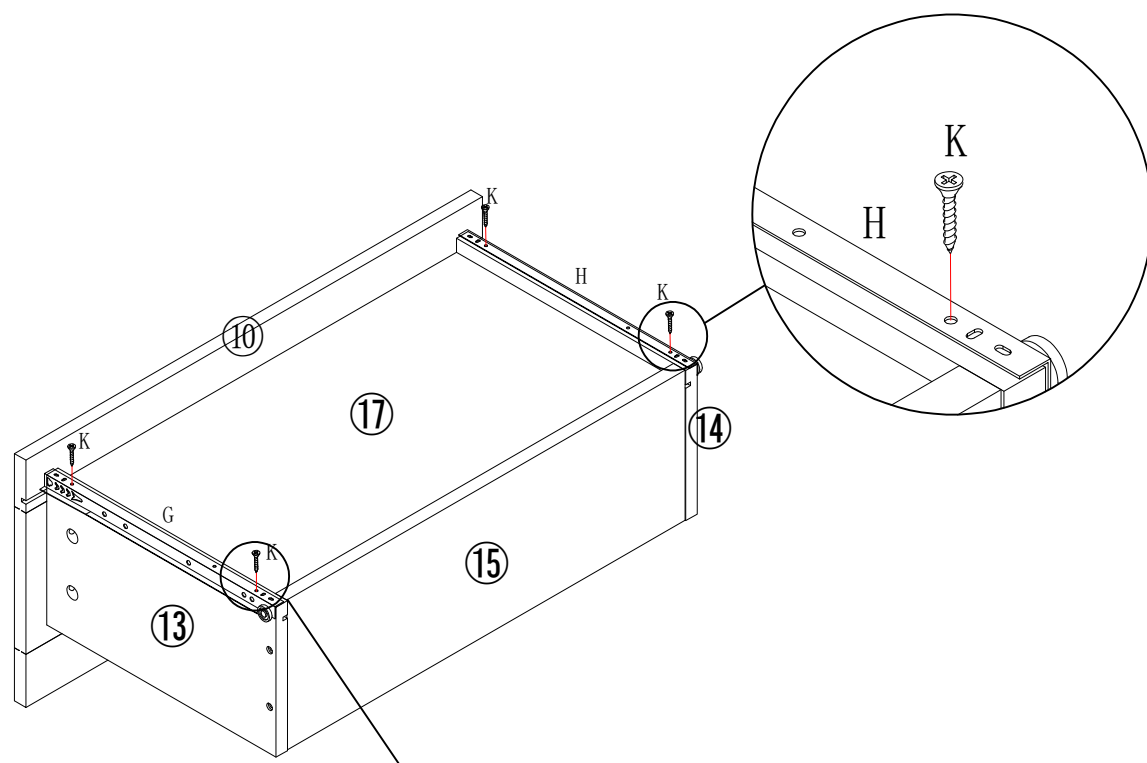
put A on board ⑩⑪⑫

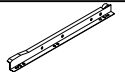
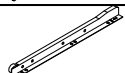

9



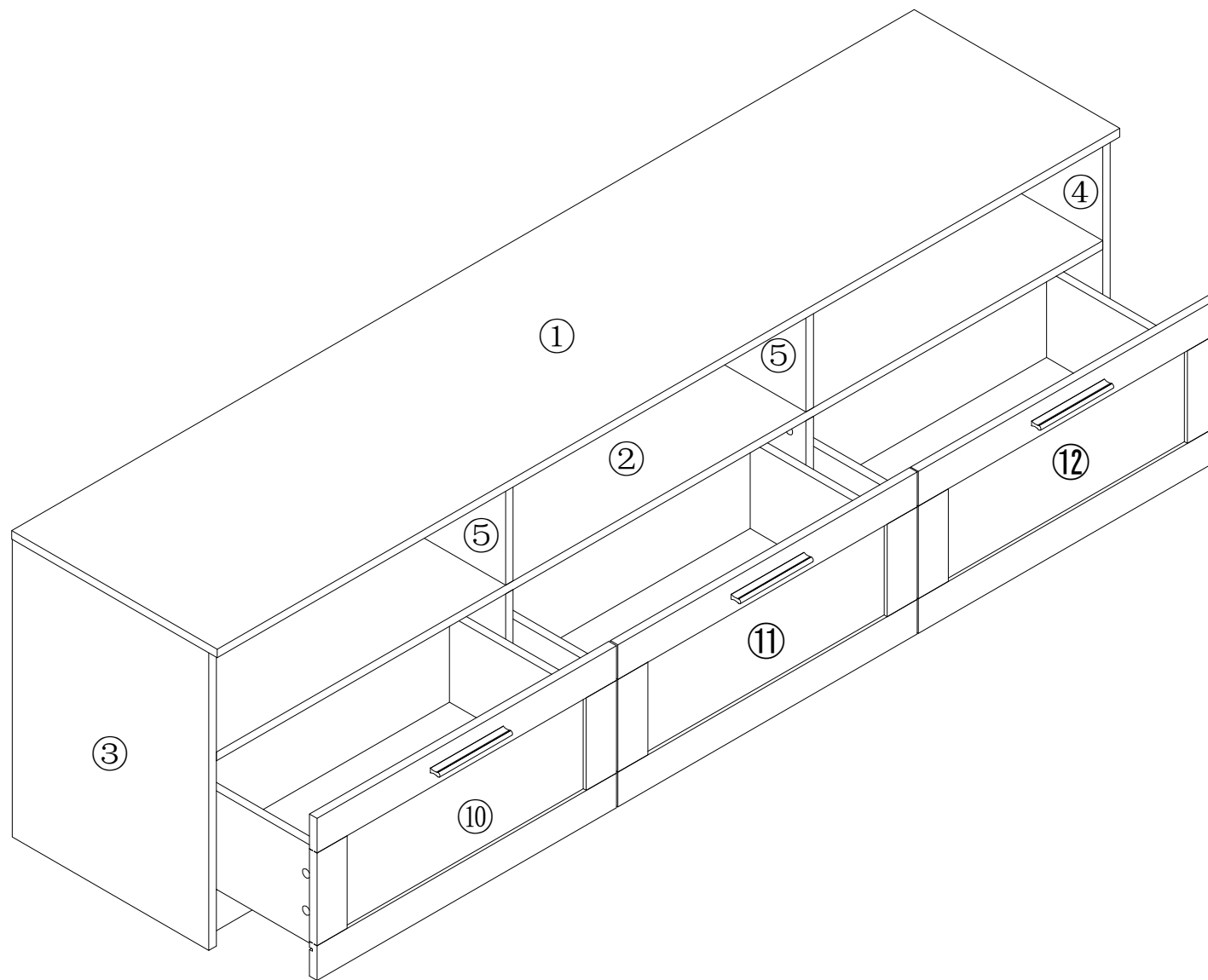
B*12 put B on board 13 14

10

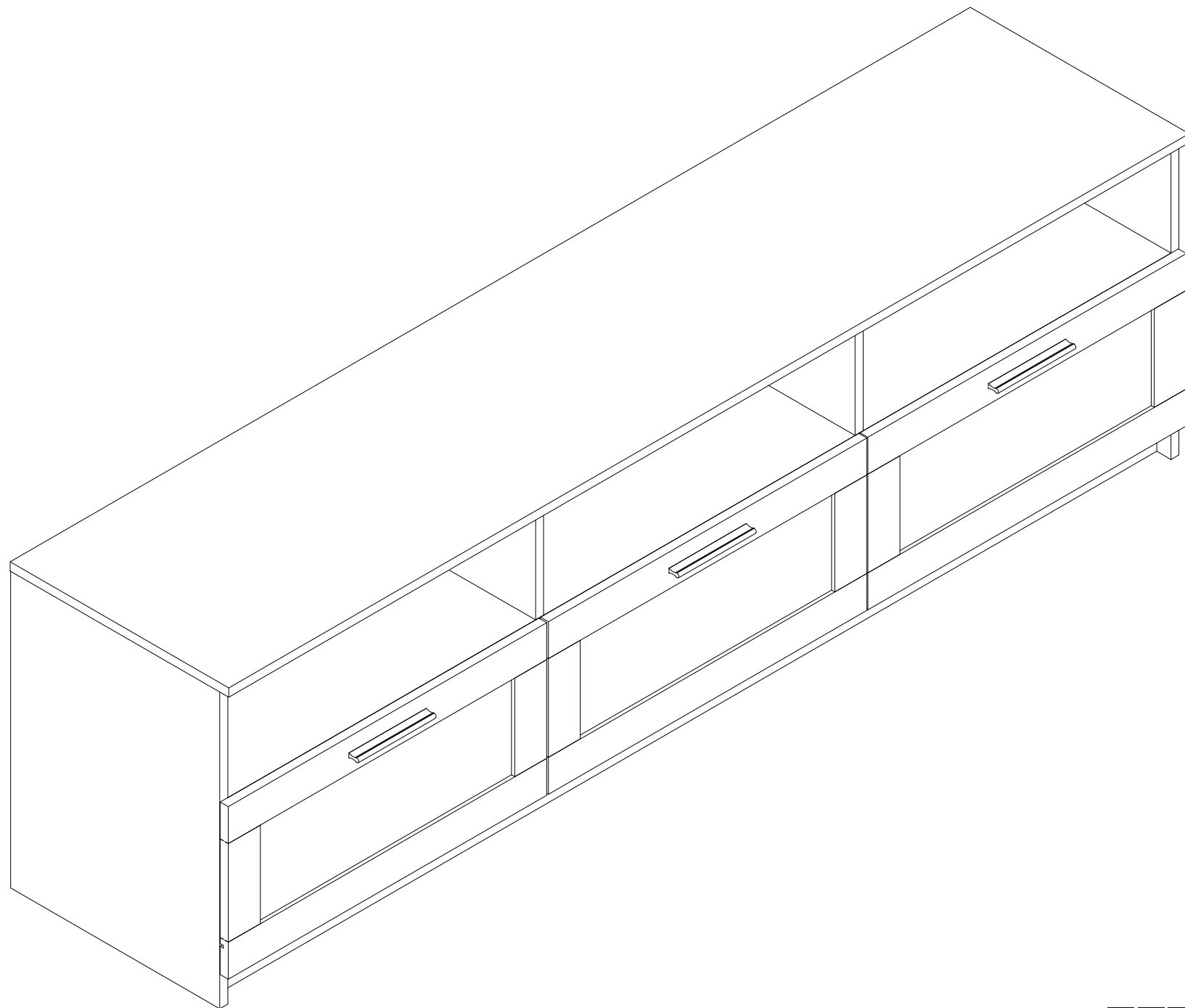


	G*3
	H*3
	K*12

11



12



---END---