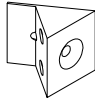
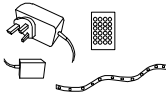

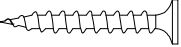
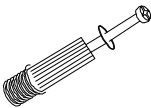



<p>K</p>  <p>16PCS</p>	<p>LED</p>  <p>1PCS</p>
<p>I</p> <p>3.5*14</p>  <p>28PCS</p>	<p>J</p> <p>3.5*25</p>  <p>2PCS</p>

A



36PCS

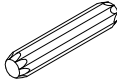
B



36PCS

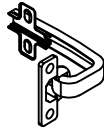
C

8\*40



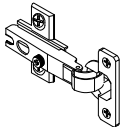
31PCS

D



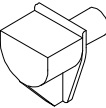
4PCS

E



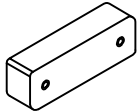
2PCS

F



12PCS


G



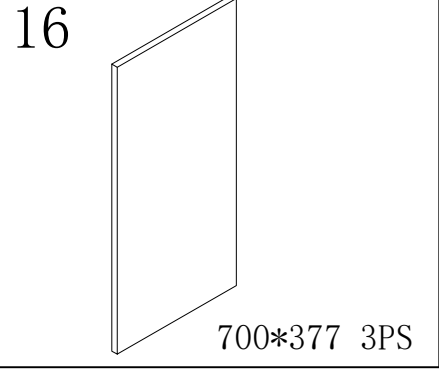
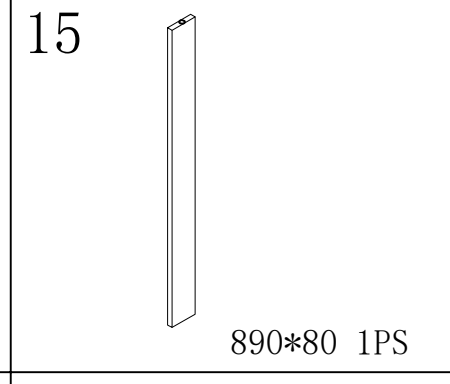
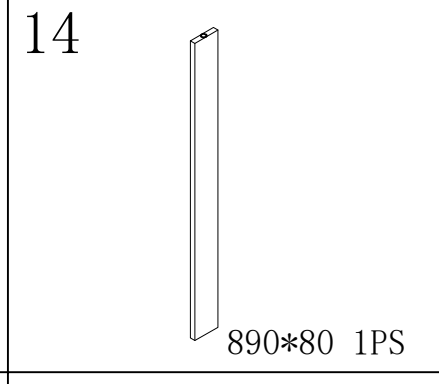
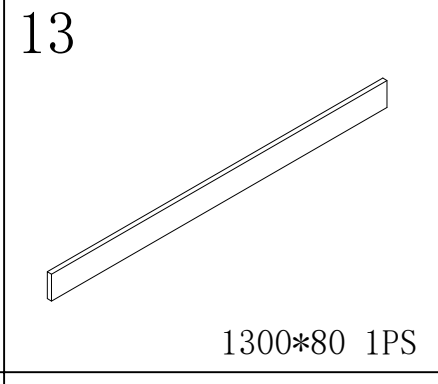
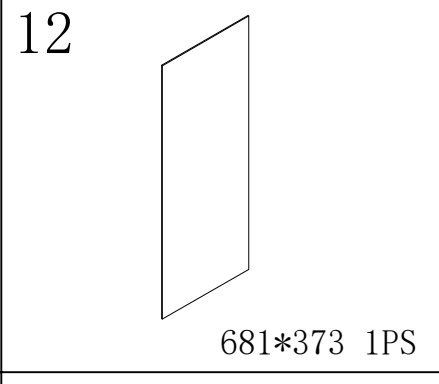
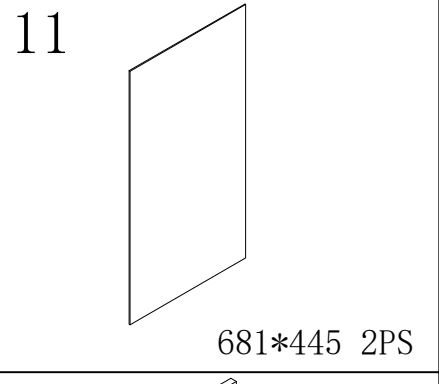
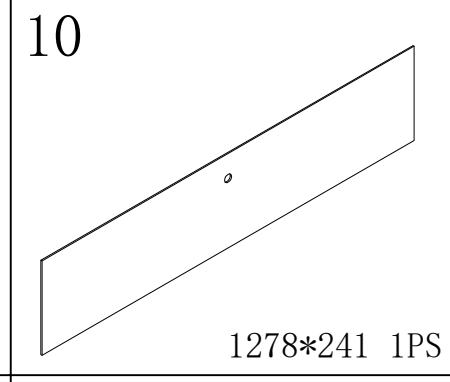
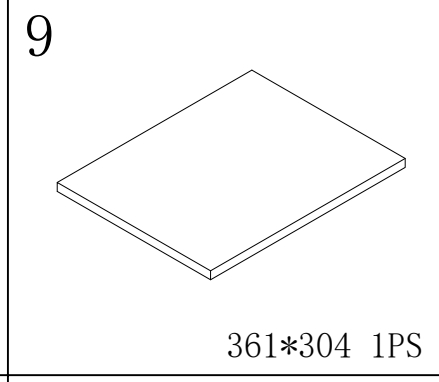
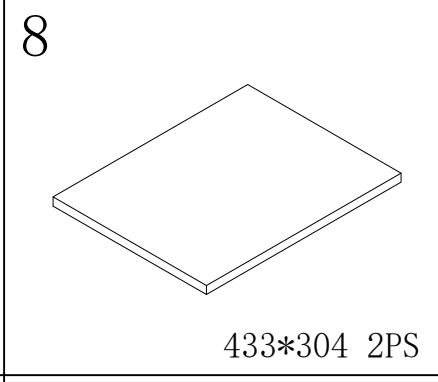
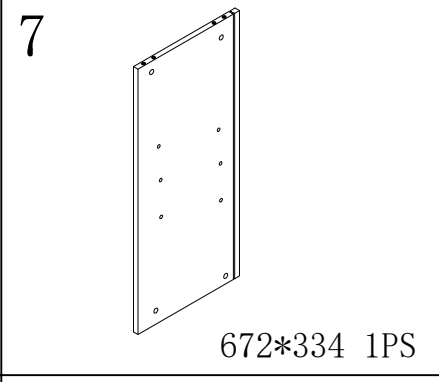
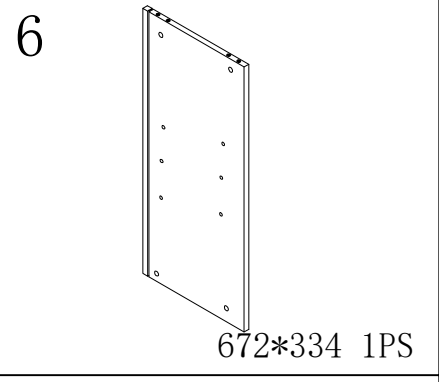
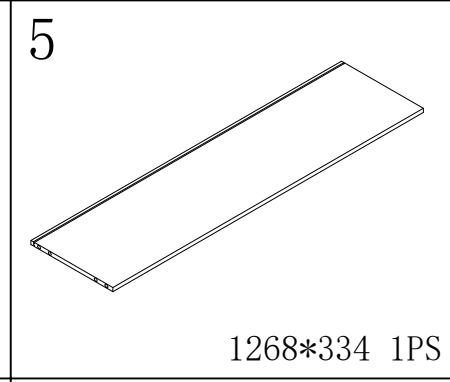
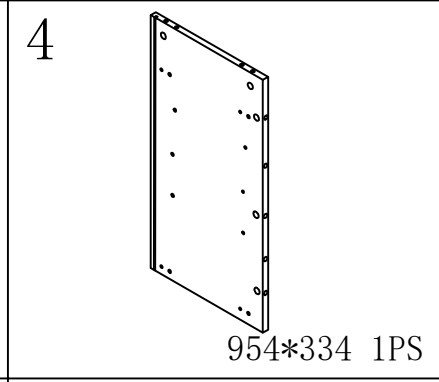
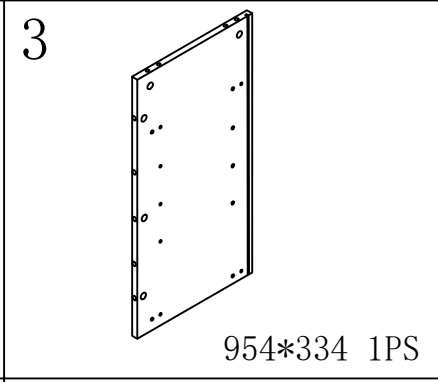
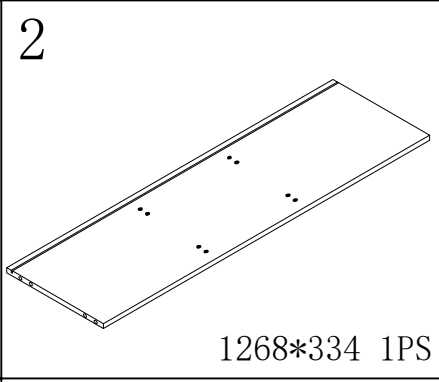
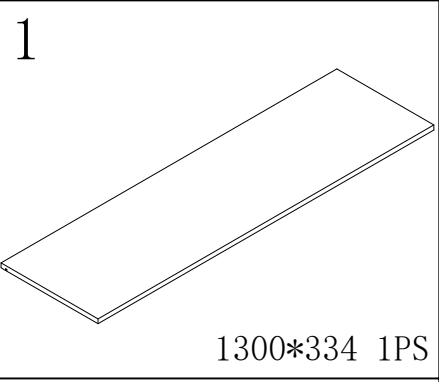
1PCS

H

3\*12



16PCS

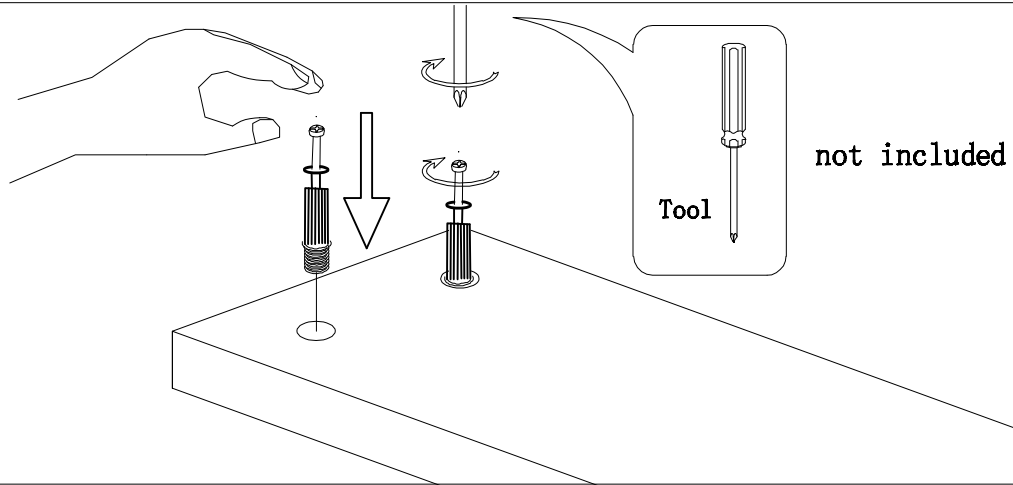




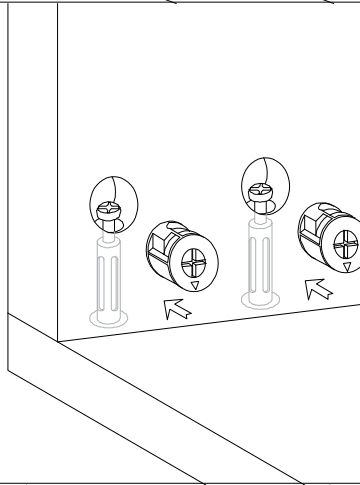
# Hardware installation demonstration

NOTE: Please make sure "A" hardware tightened and can't be pulled out!

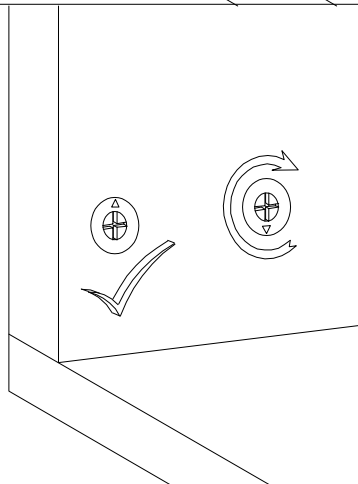
I



II

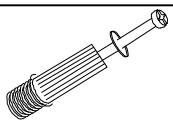
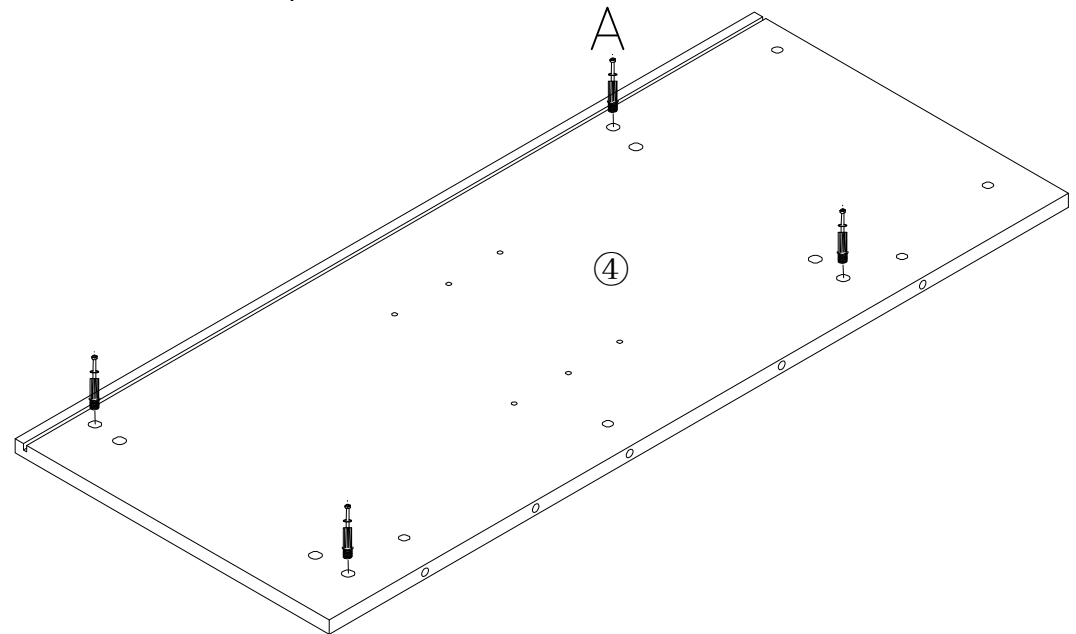
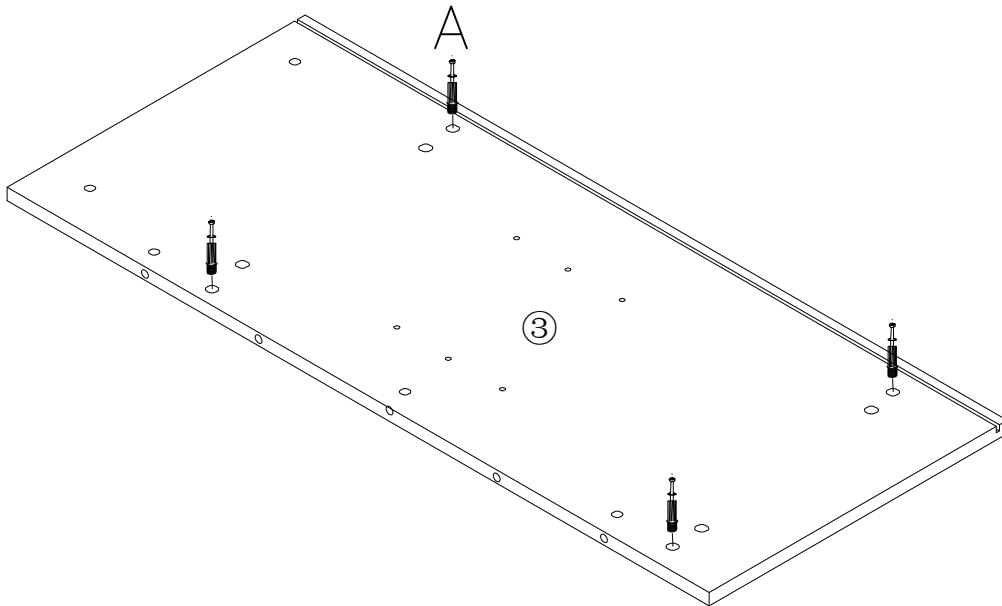
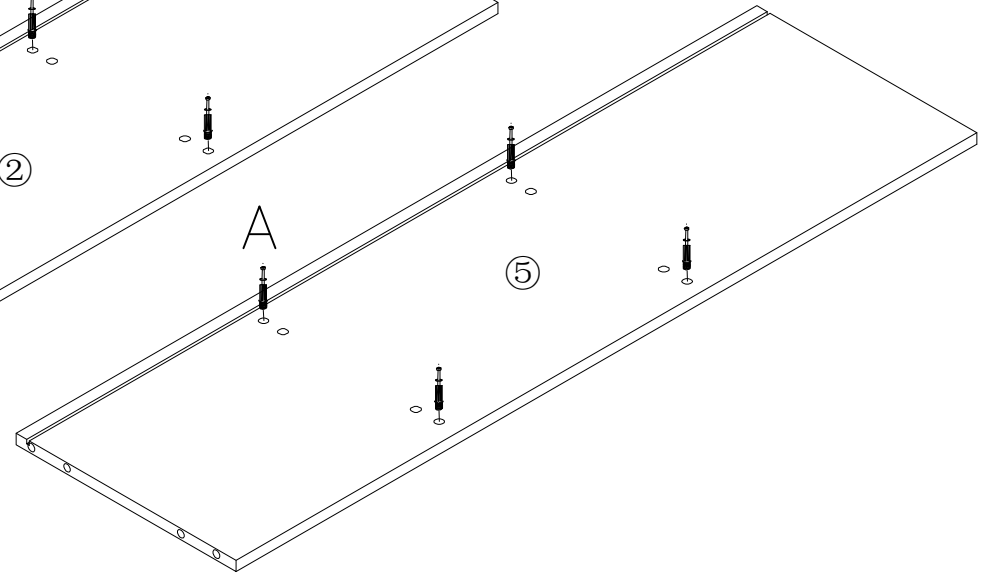
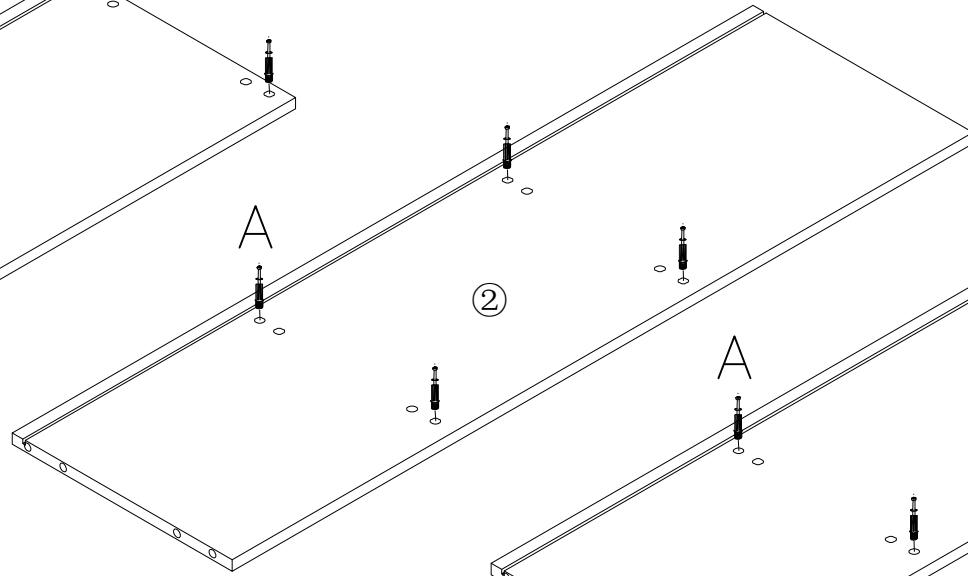
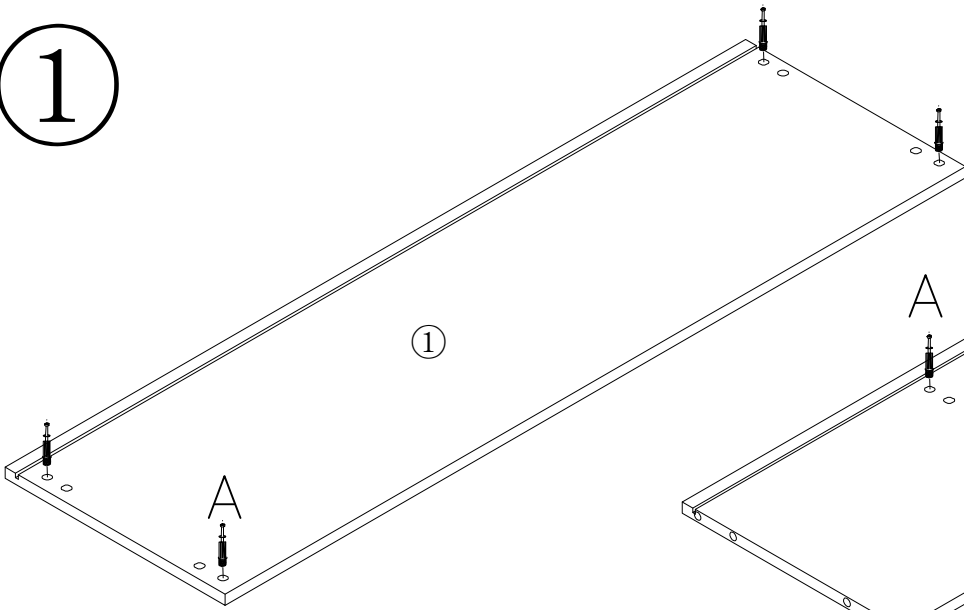


III



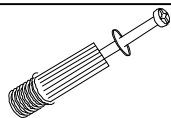
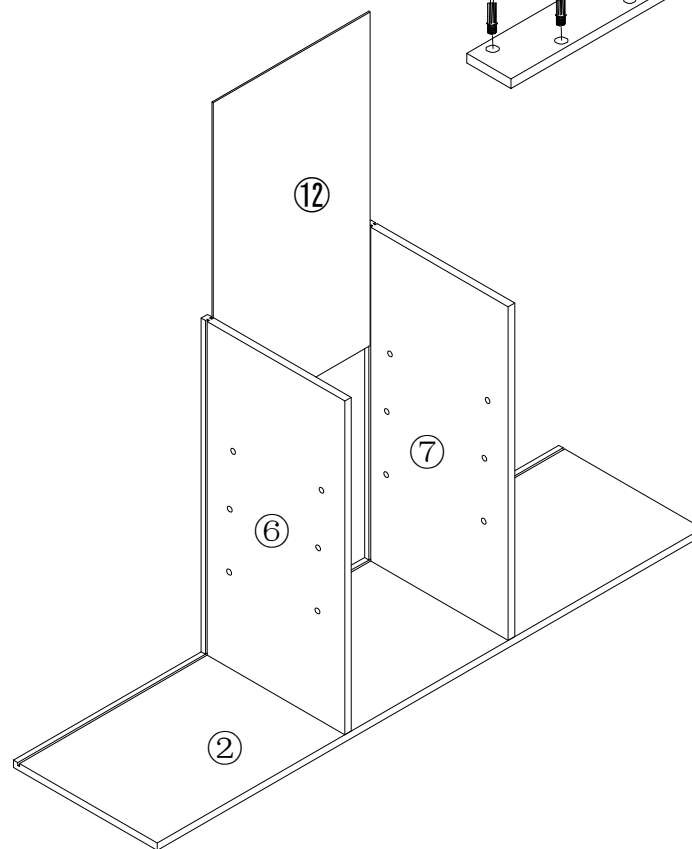
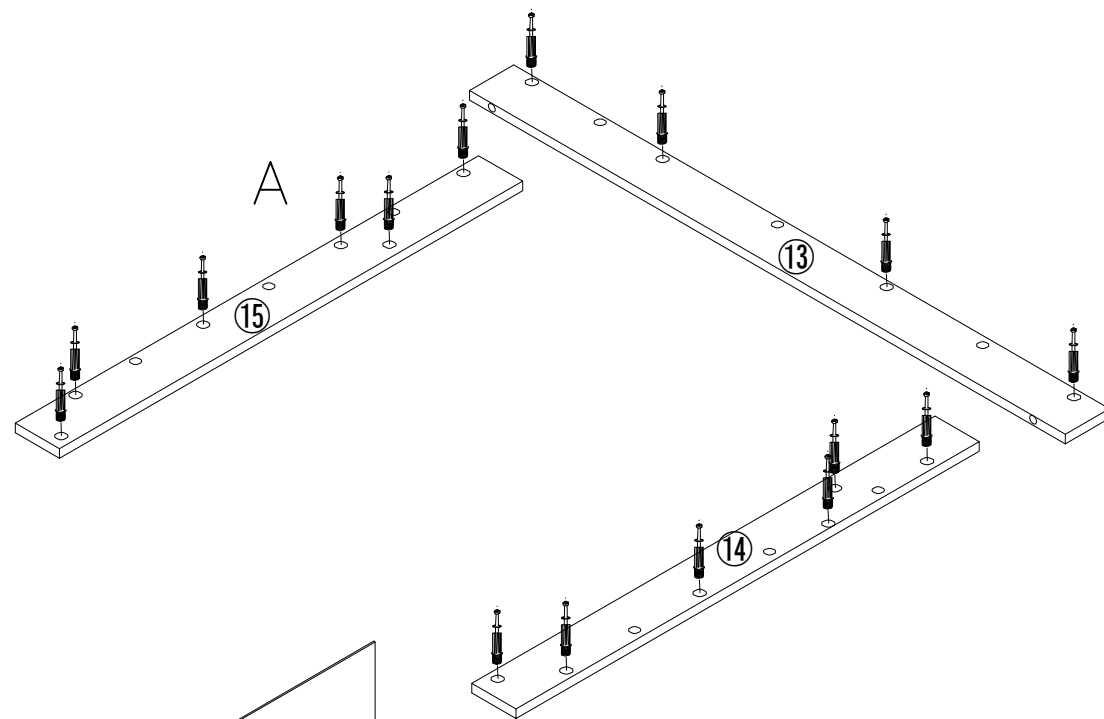
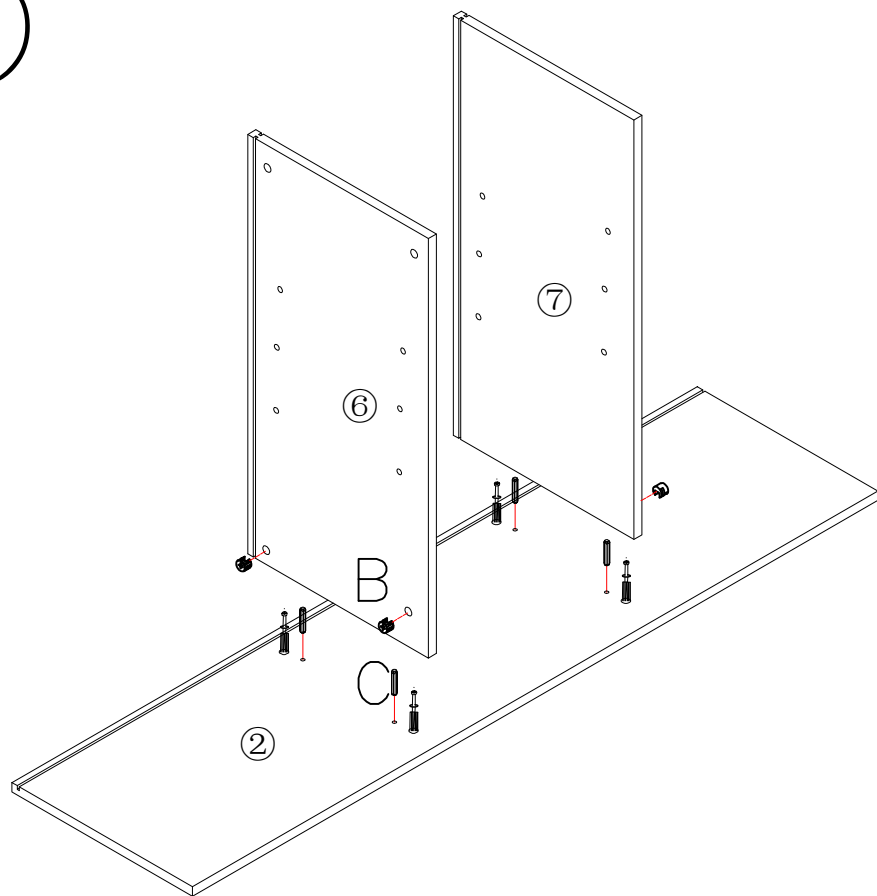
Scan QR code for assembly video

1



A\*20

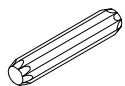
2



A\*16

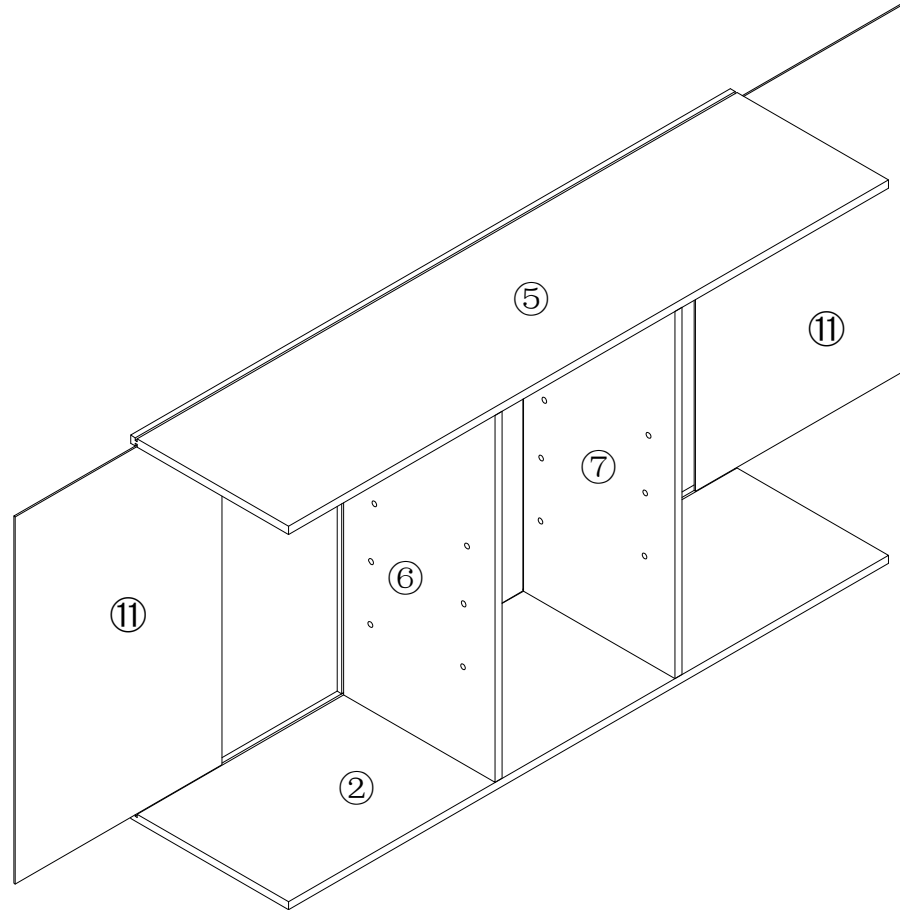
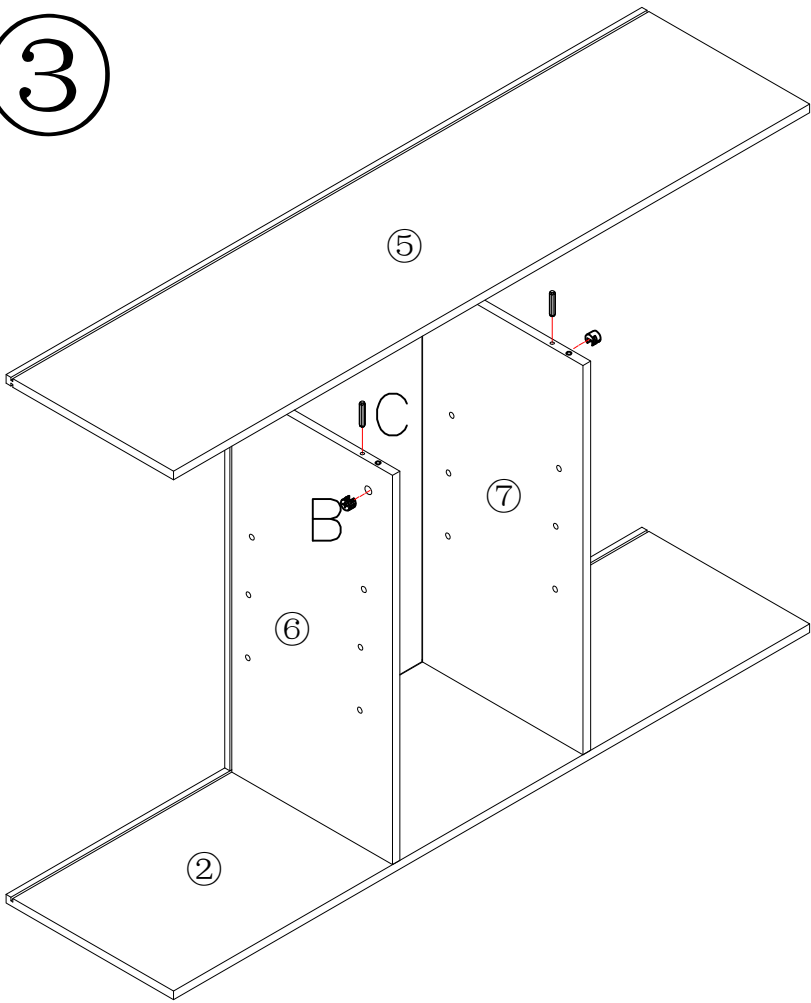


B\*4

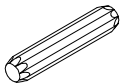


C\*4

3

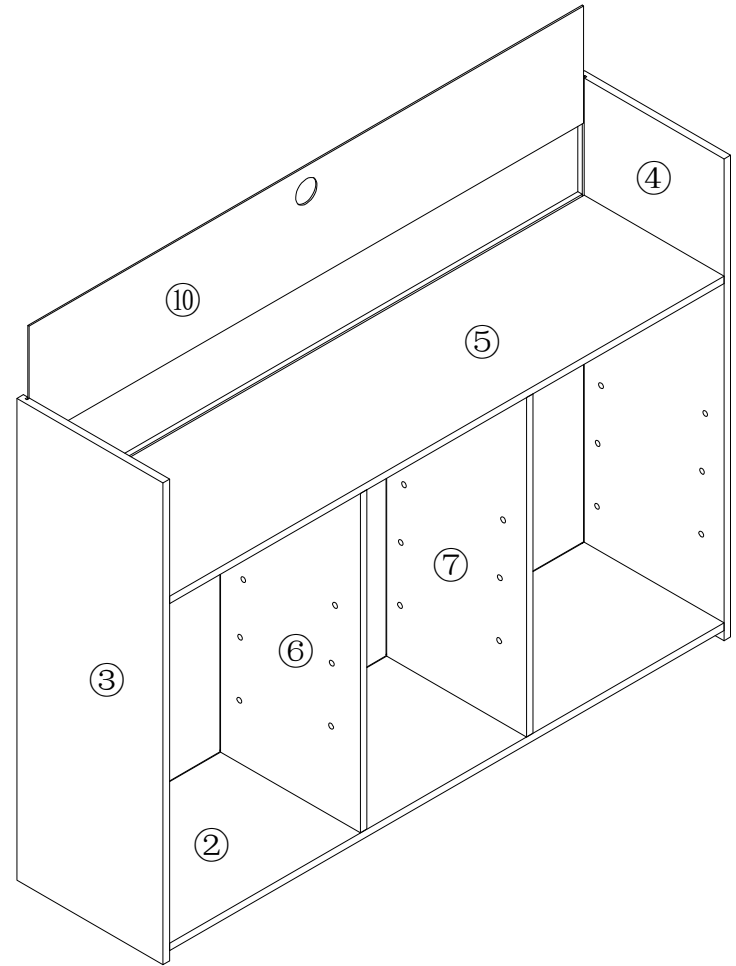
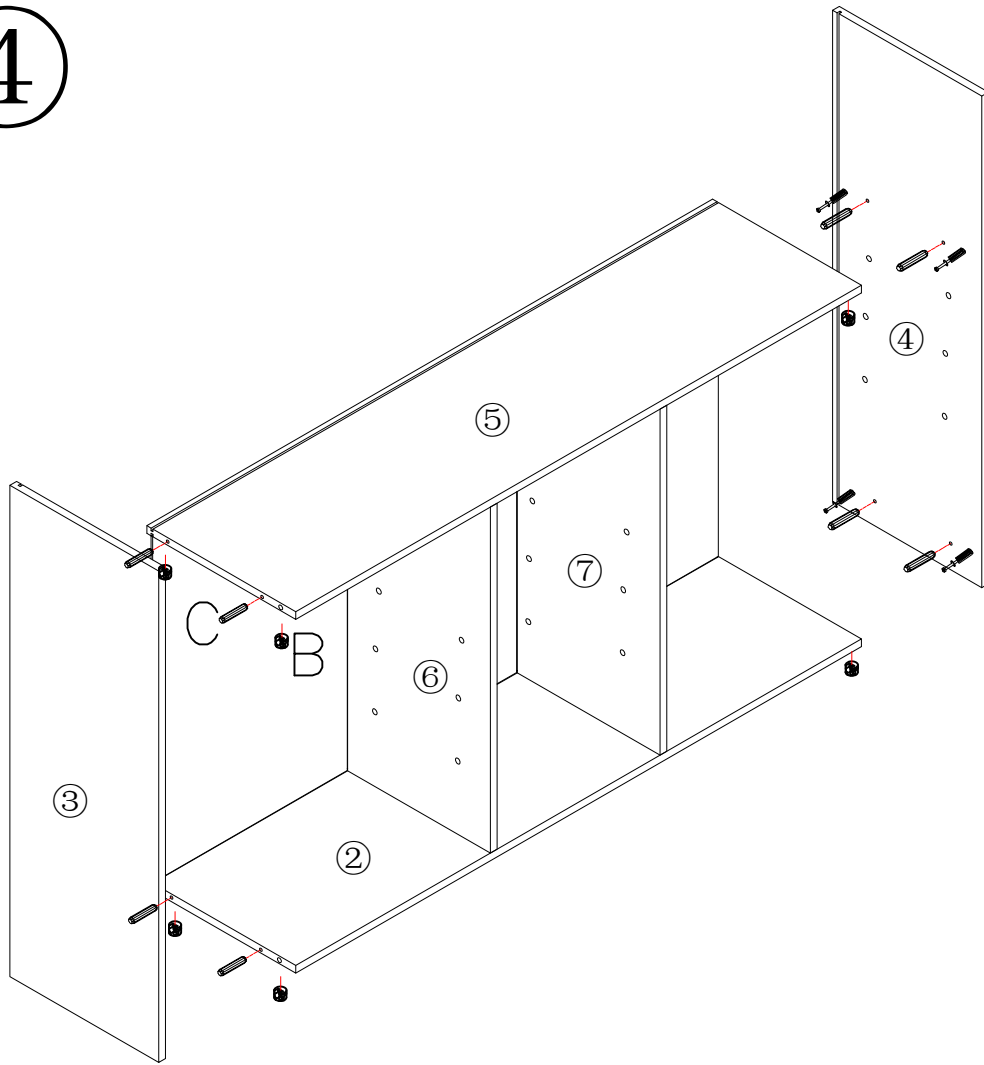


B\*4

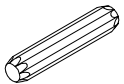


C\*4

4



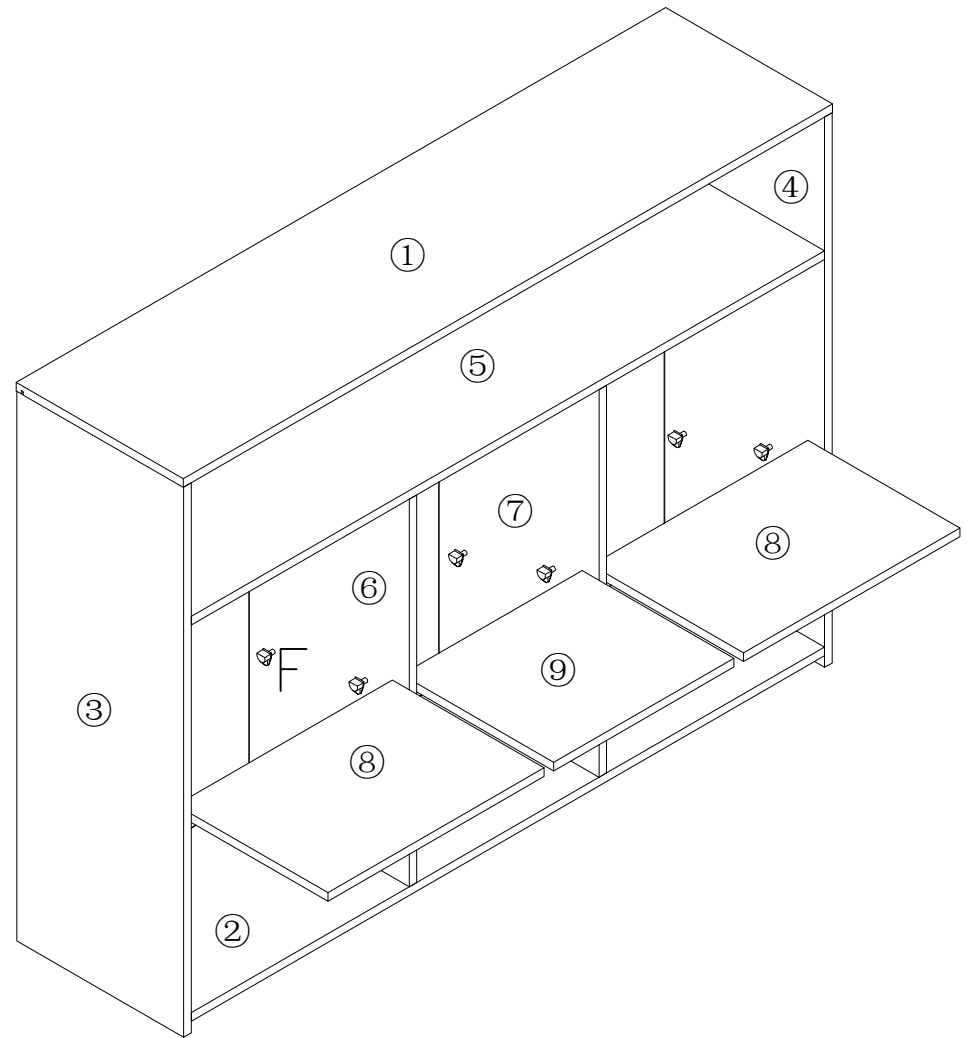
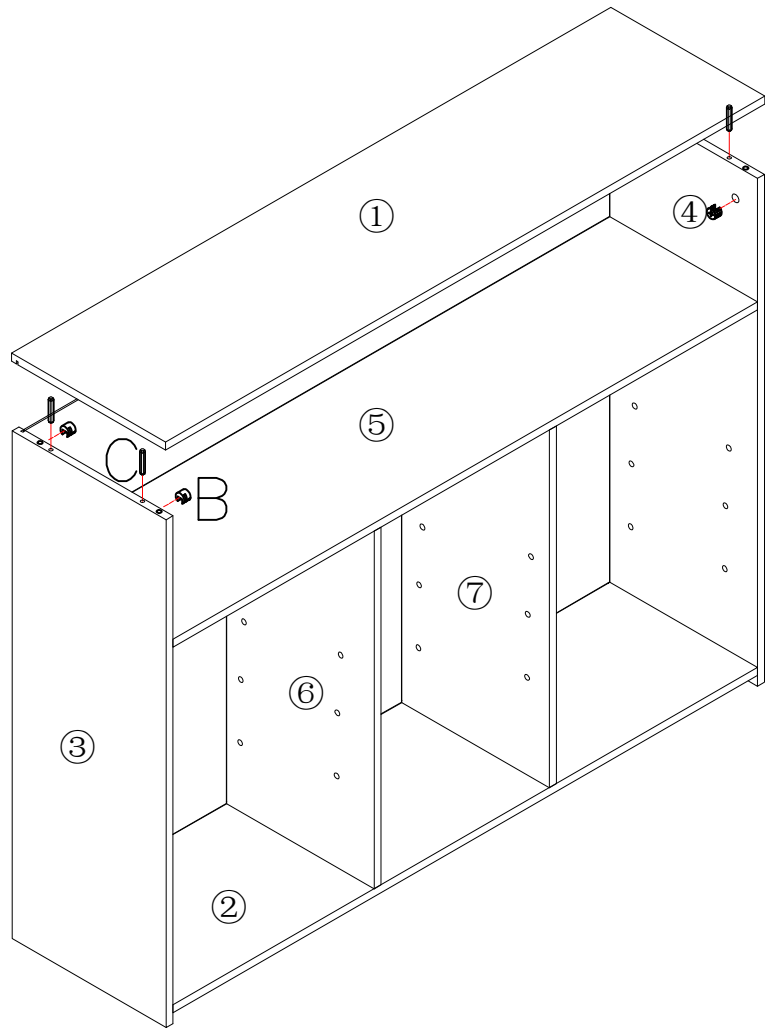
B\*8



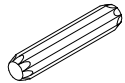
C\*8



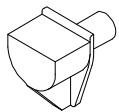
5



B\*4

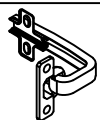
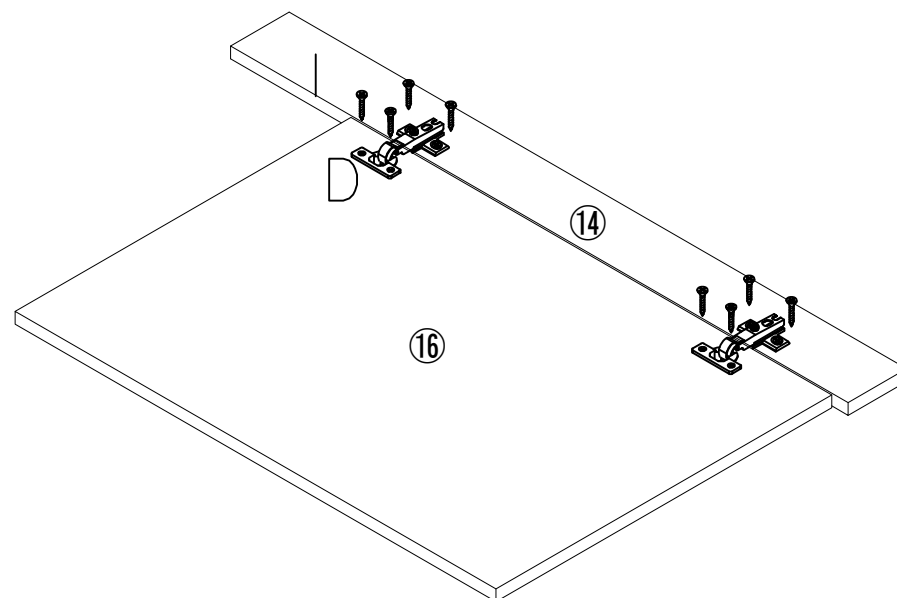
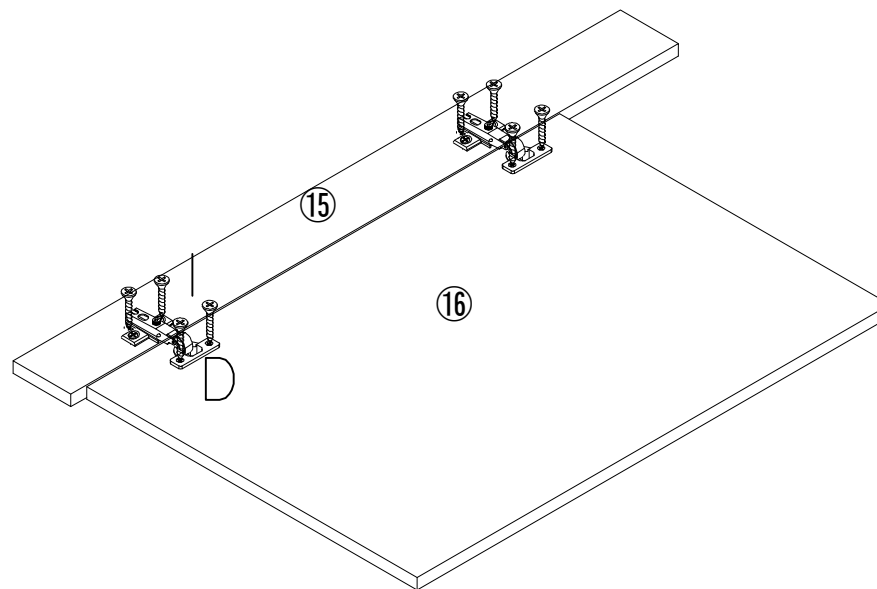
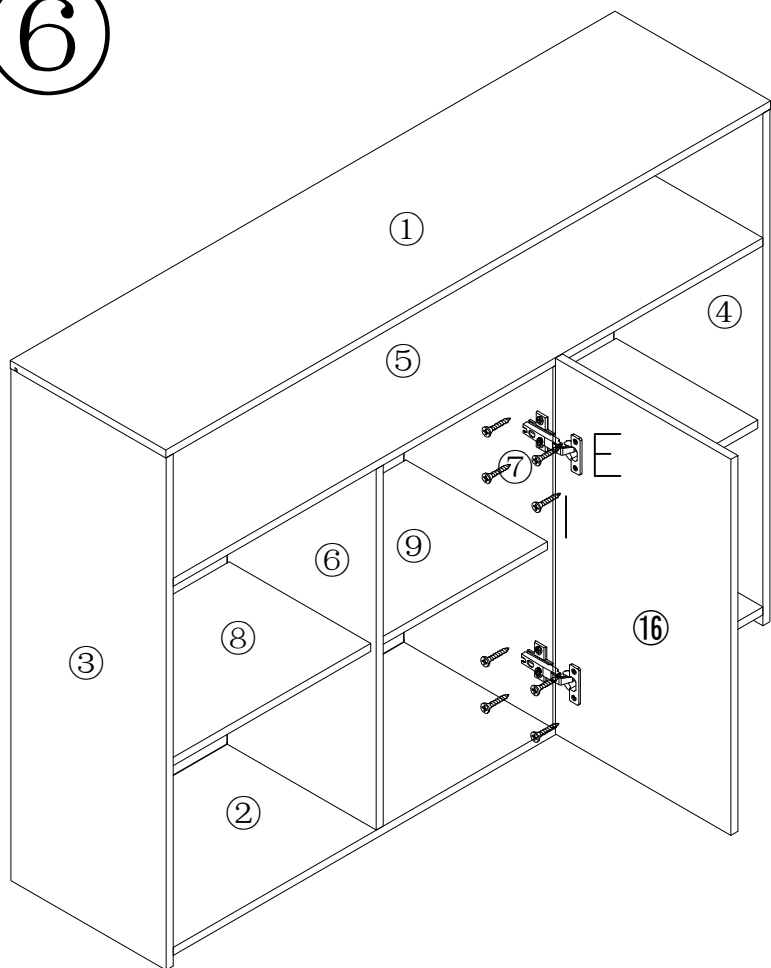


C\*4

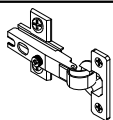


F\*12

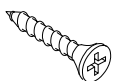
6



D\*4

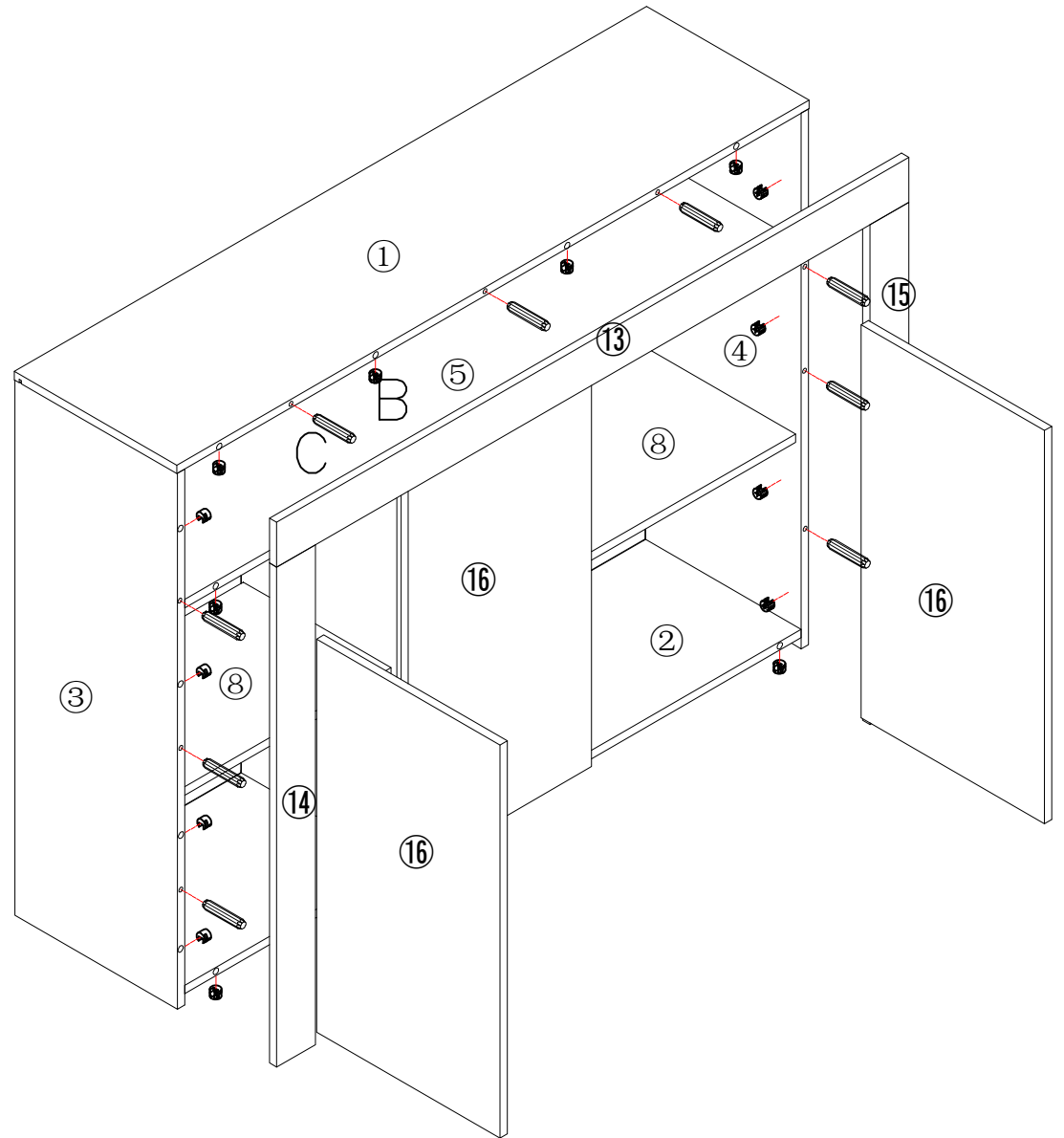
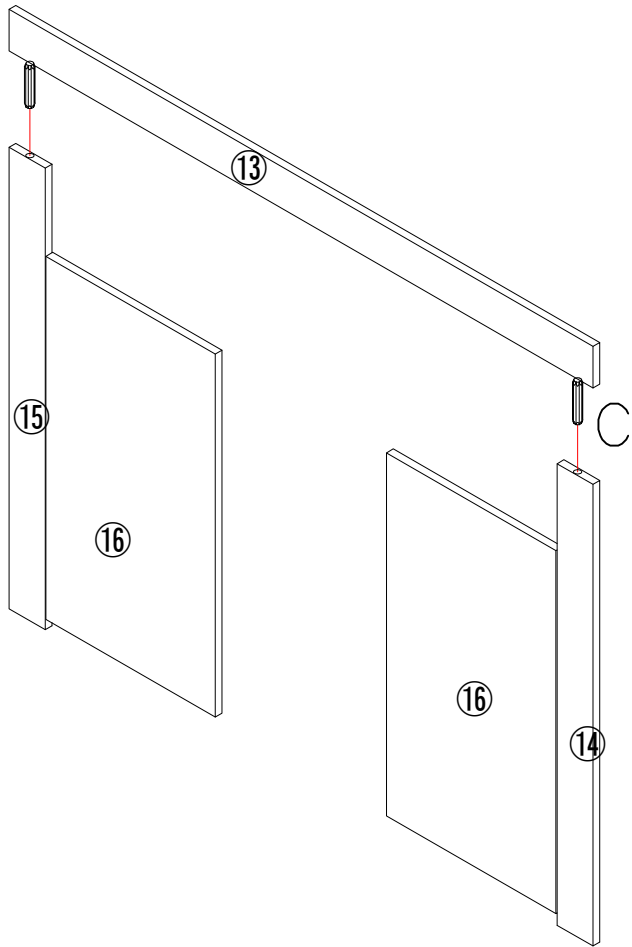


E\*2

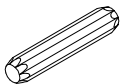


I\*28

7

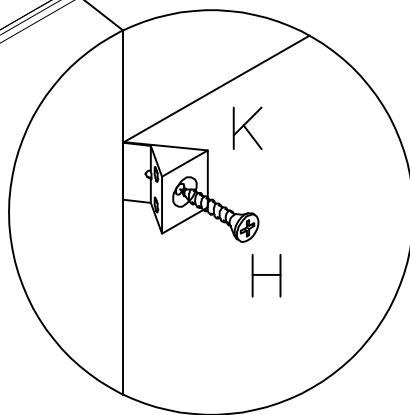
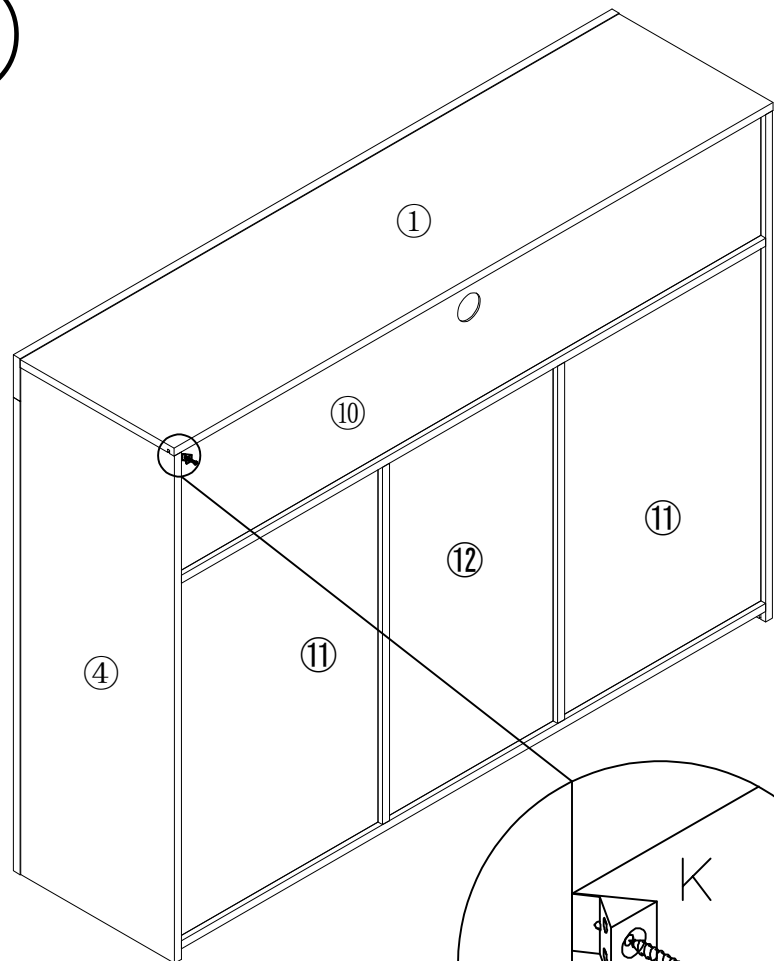


B\*16

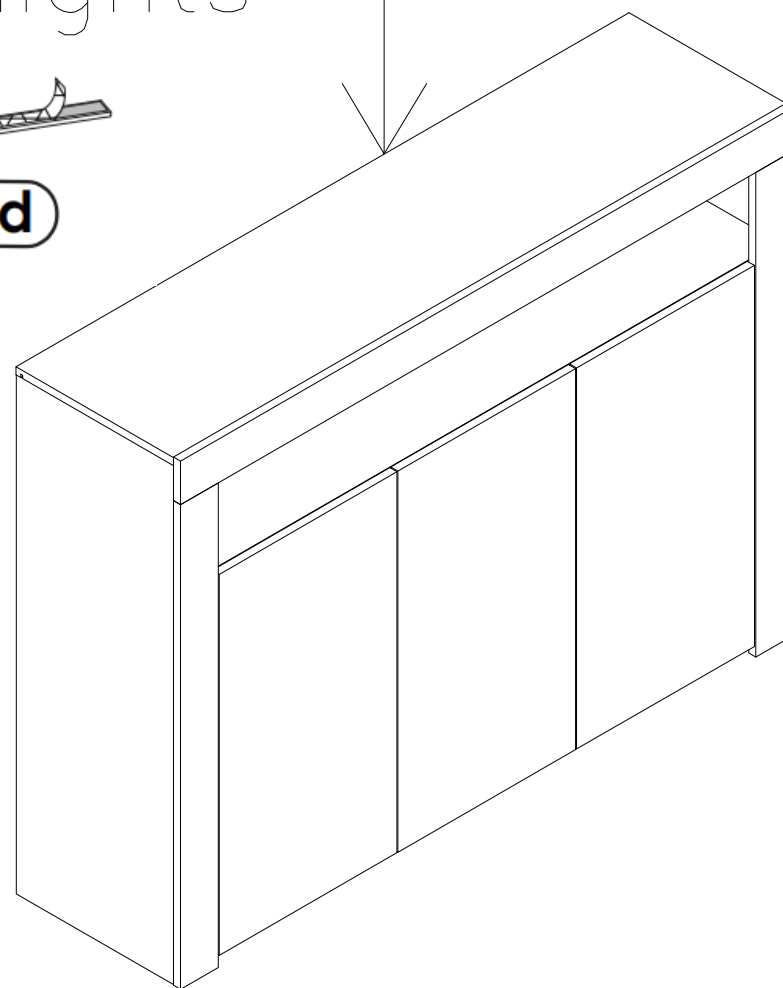
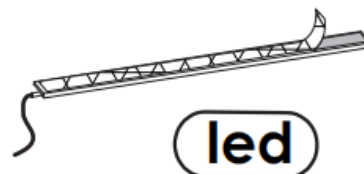


C\*11

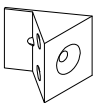
8



The following  
installation LED  
lights



H\*16



K\*16

# LED Light

If you can't let the lights work successfully, please check the following:

1. Please check the direction of the connect, try it in the opposite direction, according to the following picture.
2. Please check the remote control, it need you to tear down the plastic septum before use it.
3. Don't let the remote control too far from the receiver, make sure there is no obstruction between them.

