

USER'S MANUAL
RATTAN PATIO LOUNGER SET
A0010-BRCG



**280 LBS
CHAIR
CAPACITY**



**570 LBS
SOFA
CAPACITY**



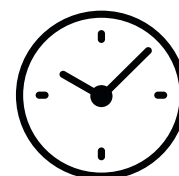
**110 LBS
TABLE
CAPACITY**



**280 LBS
STOOL
CAPACITY**



**1 PERSON
ASSEMBLY**



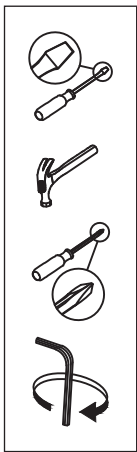
**APPROXIMATELY
60 MIN.
ASSEMBLY**

Contact Us!

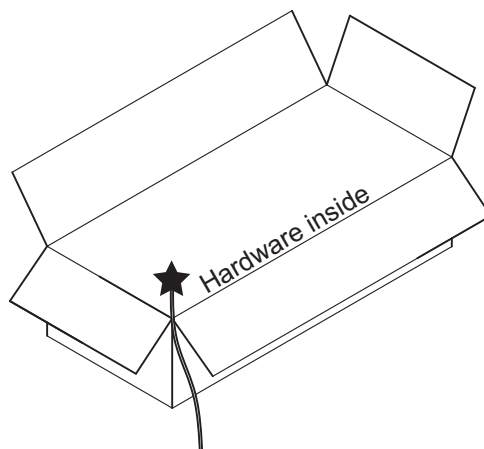
Need Help! Do NOT return this item.

Contact our friendly customer service department for help first.

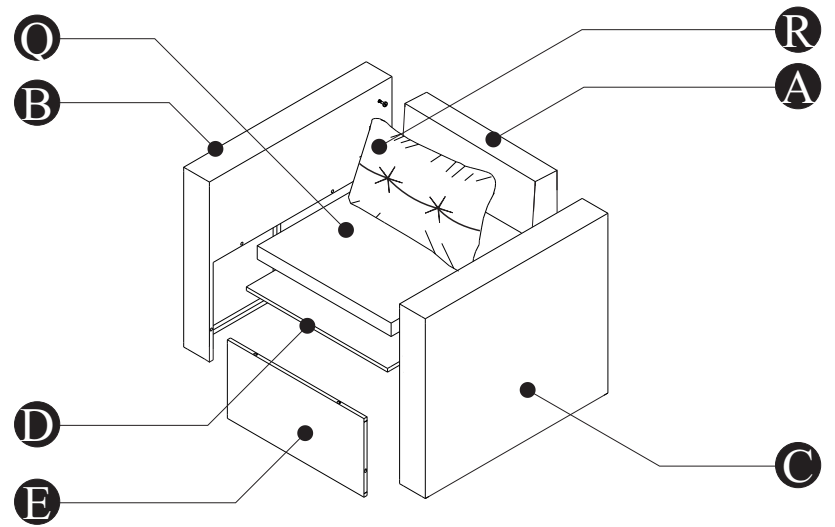
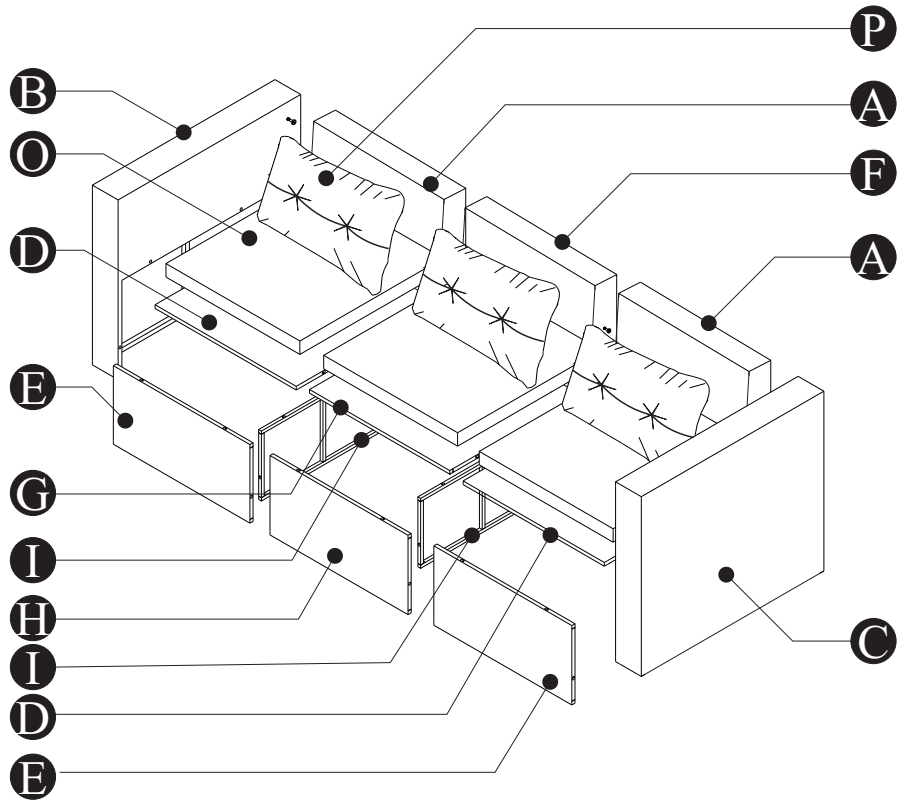
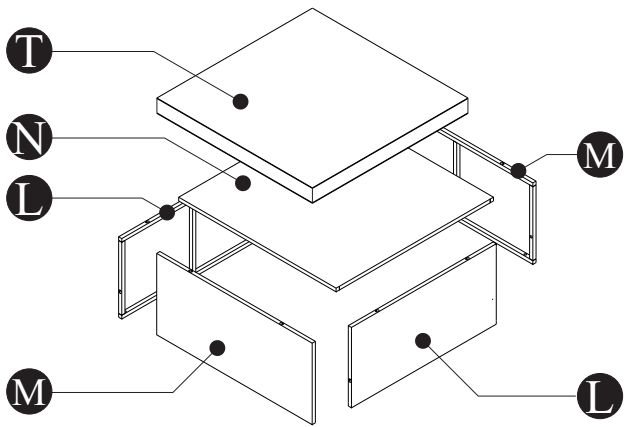
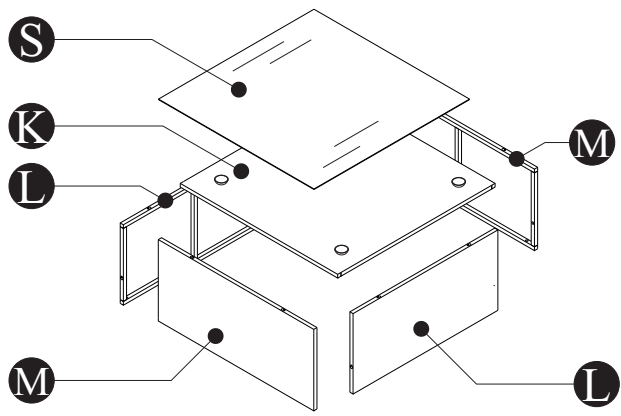
Before You Start



- Please do not exceed the weight limitation of each items
- Do not stand on or use any part of this item as step ladder
- Read each step carefully before starting. It is very important to ensure each step followed in correct order, otherwise assembly difficulties may occur.
- Most of board parts are labeled or stamped on the raw edges. Have a check to make sure all parts are included.
- Work in a spacious area, preferably on a carpet close to where the unit will be used.
- Keep the handtools close at hand. Do not use power tools to assemble your furniture. They may scratch or damage the parts.
- Manufacturer and seller expressly disclaim any and all liability for personal injury, property damage or loss, whether direct, indirect, or incidental, resulting from incorrect attachment, improper use, inadequate maintenance, or neglect of this product.
- To entitle refund, all return must in its original product packaging with all accessories are included. Pictures return may required as evidence and the responsibilities will pass to us untill the item has been received by our side. All returned fee under customer's expense.



1 x Bench 3 seater
 1 x Table
 2 x Single chair
 2 x Stool

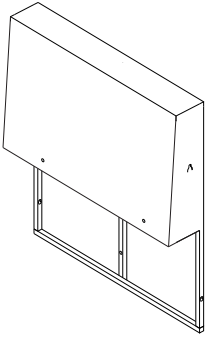


Notice:

1. 50% Tighten before fixing all screws, Allen wrench is recommended instead of an electric drill.
2. Place the item on a flat ground to adjust and make sure it remains stable.
3. Tighten up all screws with tools gradually.
4. If the screws are not aligned with holes during assembly, please loosen all the other screws to 50% and continue the assembly process.
5. If the item is not stable, please loosen all the screws, adjust it on a flat ground and tighten up all screws again.
6. Note : If one or some screws are fully tightened during assembly, chances are the others will not be aligned with holes. In addition, all the holes are designed to be relatively larger to provide more space for the adjustment of the screws.

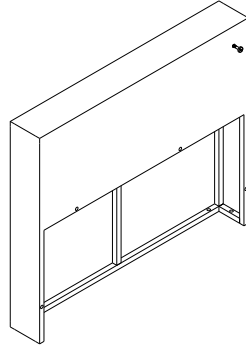
Part list & Hardware

A



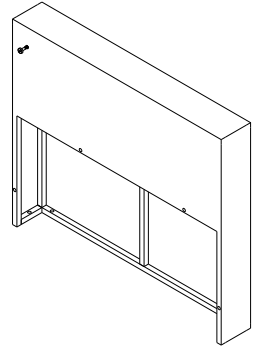
Back frame (4 pcs)

B



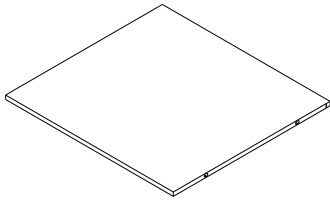
Right frame (3 pcs)

C



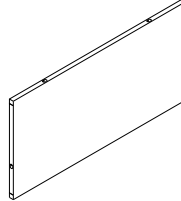
Left frame (3 pcs)

D



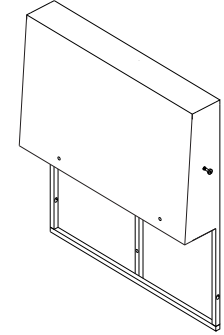
Seat frame (4 pcs)

E



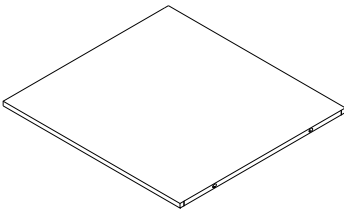
Front frame (4 pcs)

F



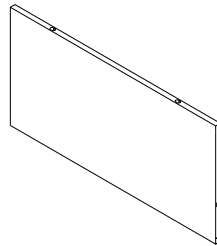
Back frame (1 pc)

G



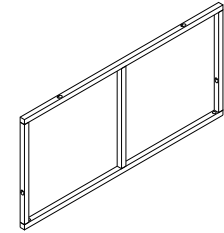
Seat frame (1 pc)

H



Front frame (1 pc)

I



Inner frame (2 pcs)

K

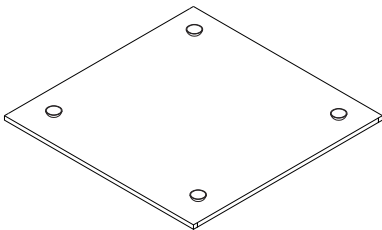
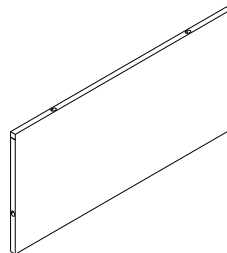


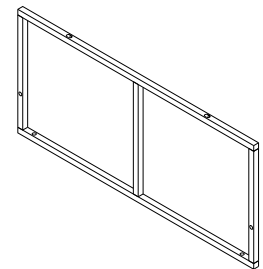
Table top frame (1 pc)

L



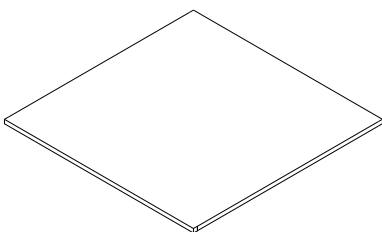
Small side frame (6 pcs)

M



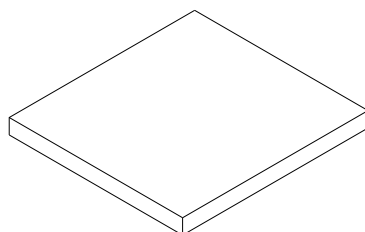
Big side frame (6 pcs)

N



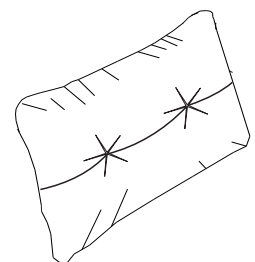
Stool seat frame (2 pc)

O



Cushion (3 pcs)

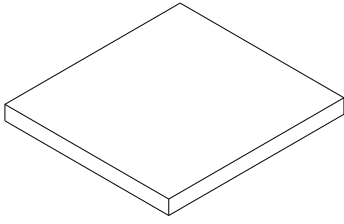
P



Back pillow (3 pcs)

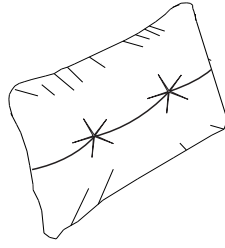
Part list & Hardware

Q



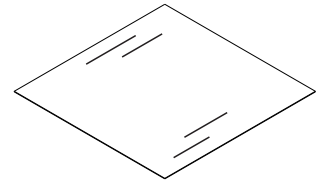
Cushion (2 pcs)

R



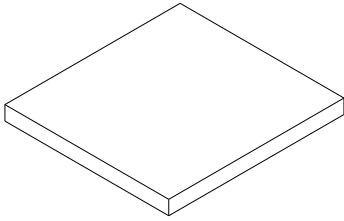
Back pillow (2 pcs)

S



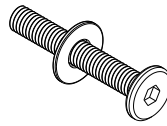
Glass (1 pc)

T



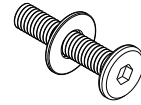
Stool cushion (2 pcs)

1



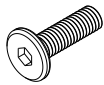
Bolt M6x35mm (88 pcs)

2



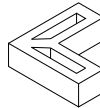
Bolt M6x30mm (8 pcs)

3



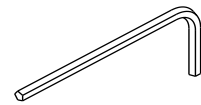
Bolt M6x25mm (56 pcs)

4



Sofa sole (28 pcs)

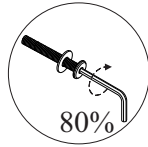
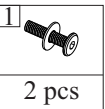
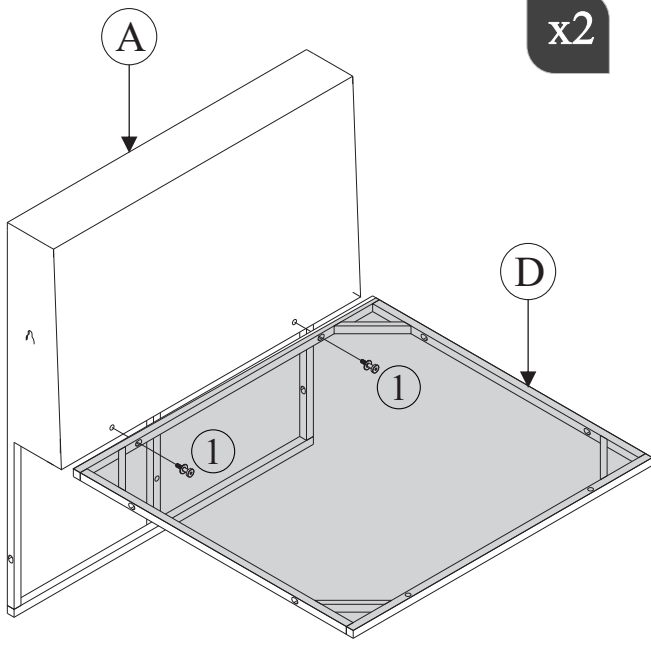
5



Allen key (1 pc)

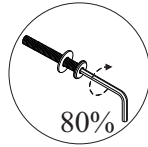
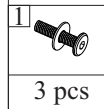
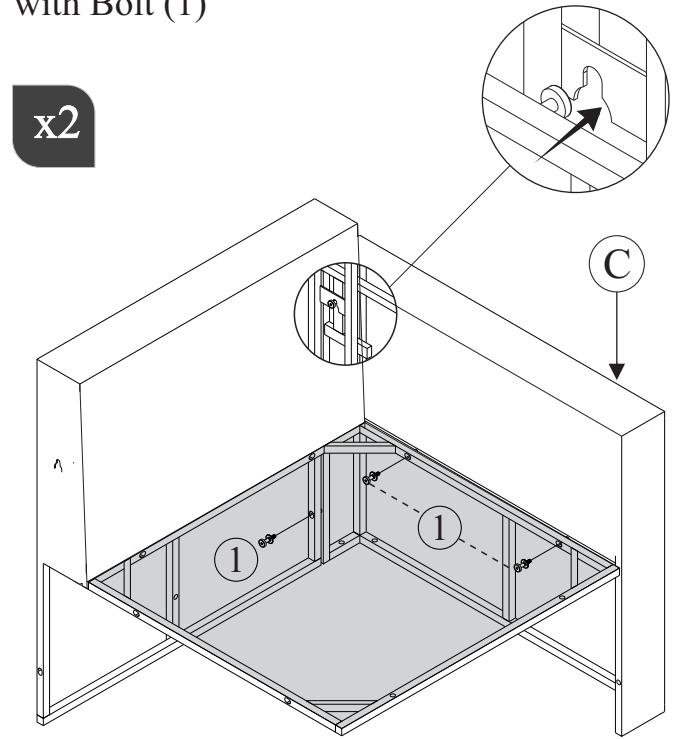
STEP 1

Connect Back frame (A) & Seat frame (D) with Bolt (1)



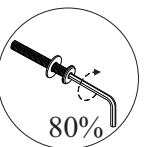
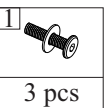
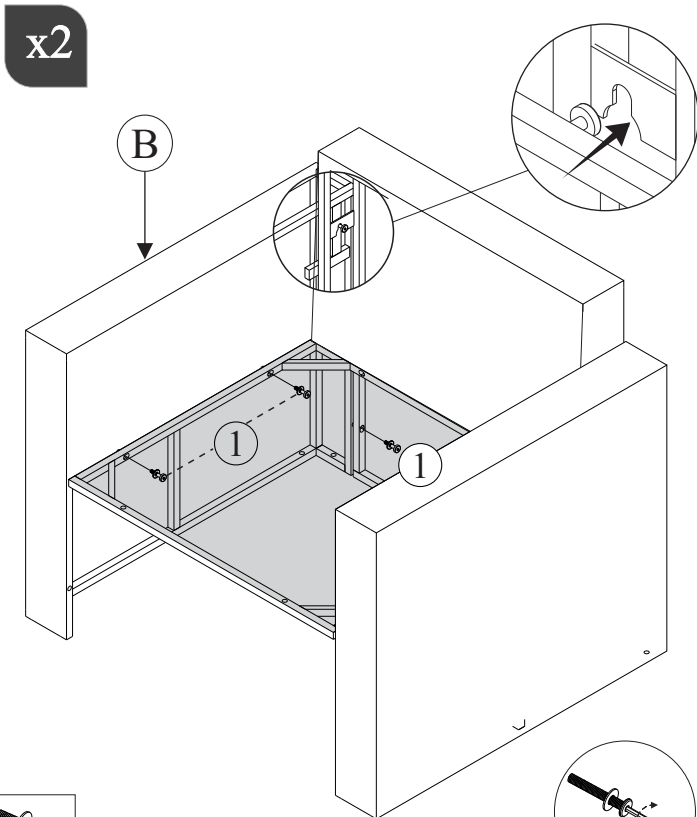
STEP 2

Connect part from STEP 1 & Left frame (C) with Bolt (1)



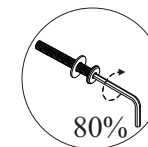
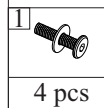
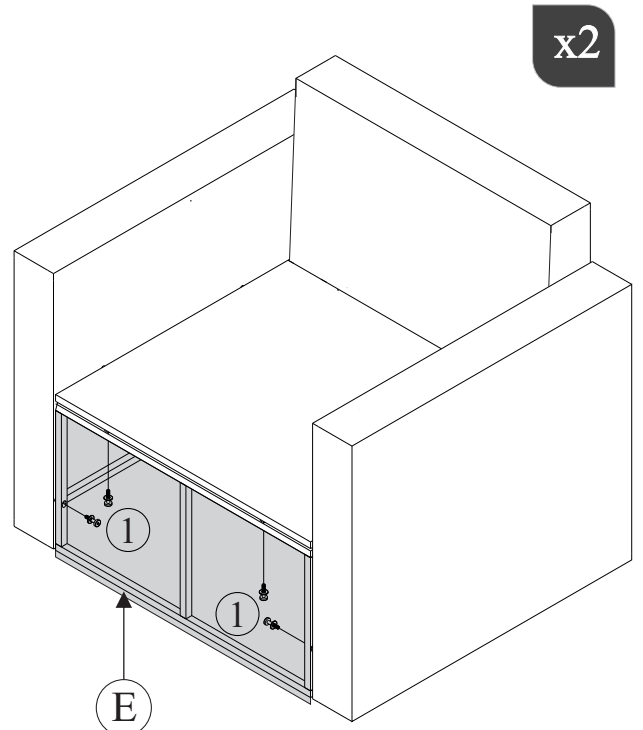
STEP 3

Connect part from STEP 2 & Right frame (B) with Bolt (1)



STEP 4

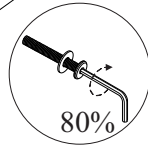
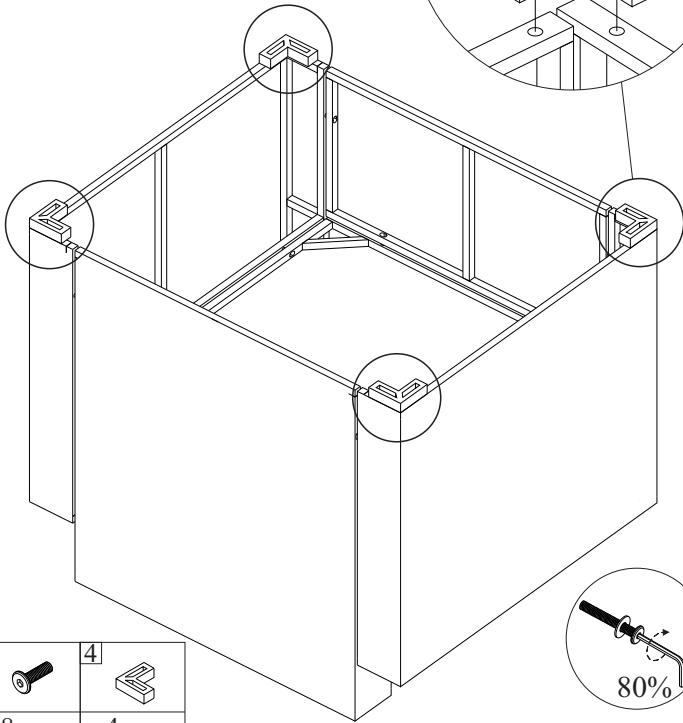
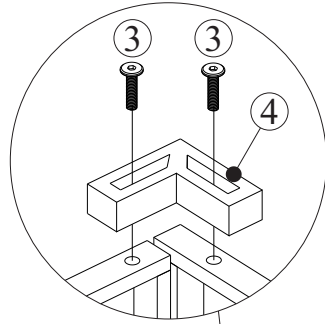
Connect part from STEP 3 & Front frame (E) with Bolt (1)



STEP 5

Connect part from STEP 4 & Sofa sole (4) with Bolt (3)

x2

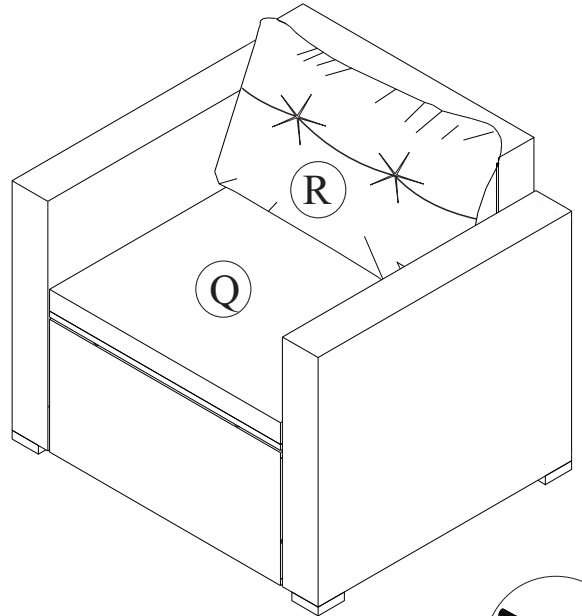


8 pcs	4 pcs

STEP 6

Put on Cushion (Q) & Back pillow (R) to complete the chair.

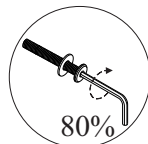
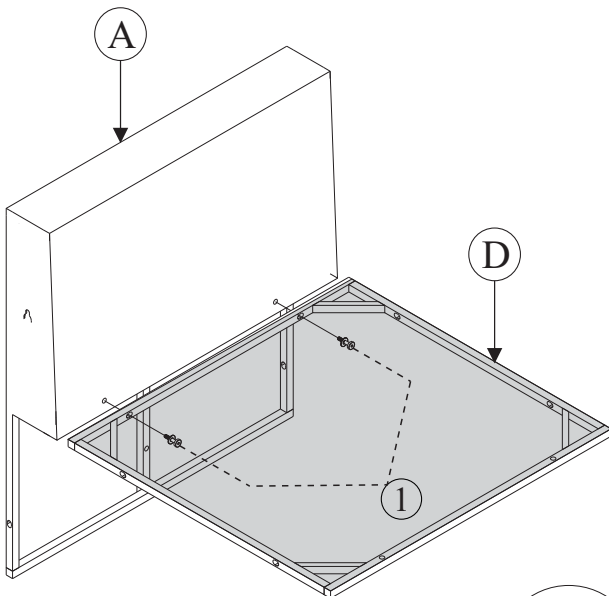
x2



STEP 7

Connect Back frame (A) & Seat frame (D) with Bolt (1)

x1

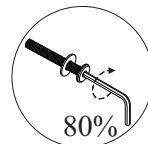
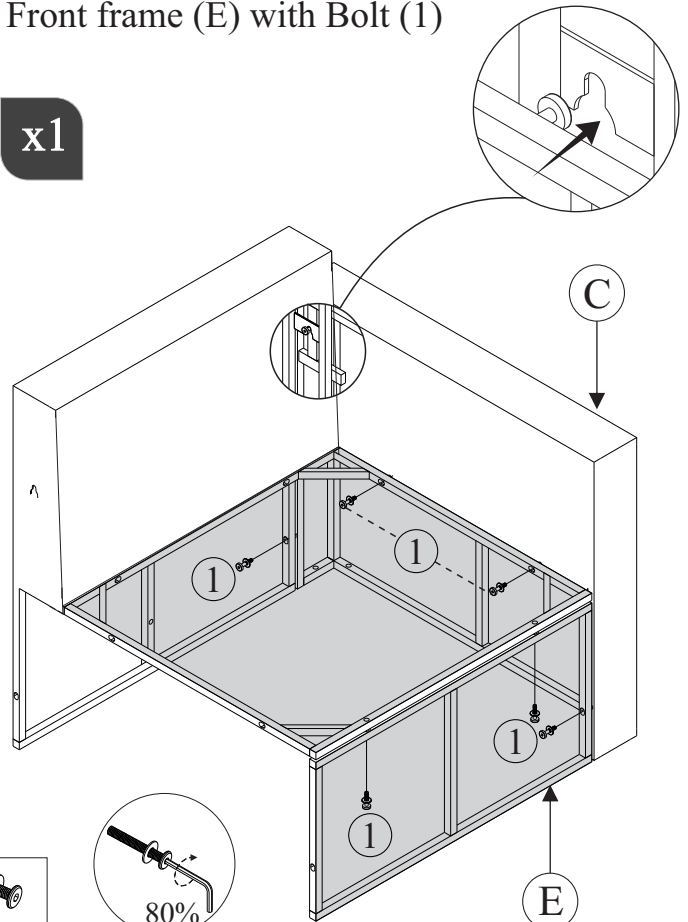


2 pcs

STEP 8

Connect part from STEP 7 & Left frame (C), Front frame (E) with Bolt (1)

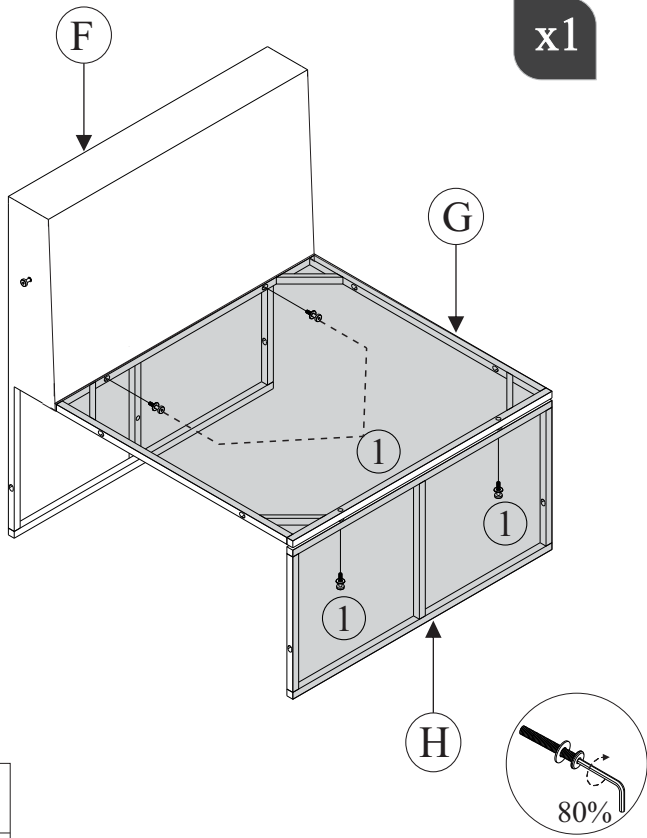
x1



6 pcs

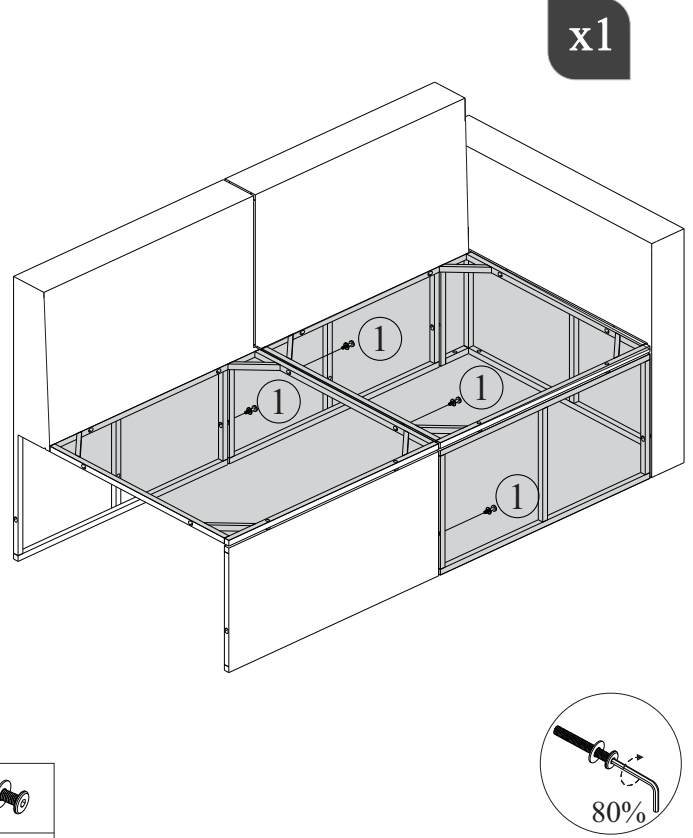
STEP 9

Connect Back frame (F), Seat frame (G) & Front frame (H) with Bolt (1)



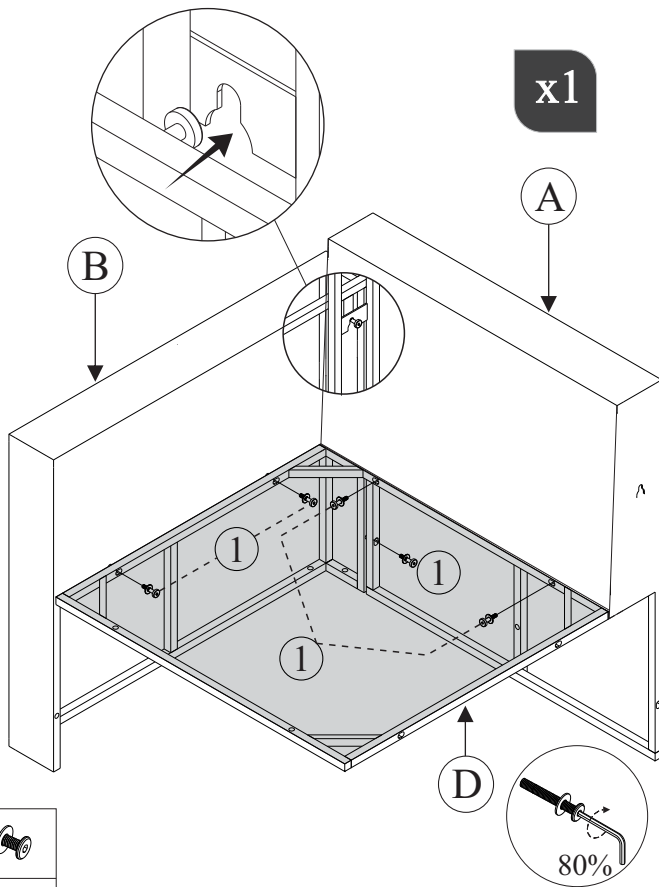
STEP 10

Connect part from STEP 8 & STEP 9 with Bolt (1)



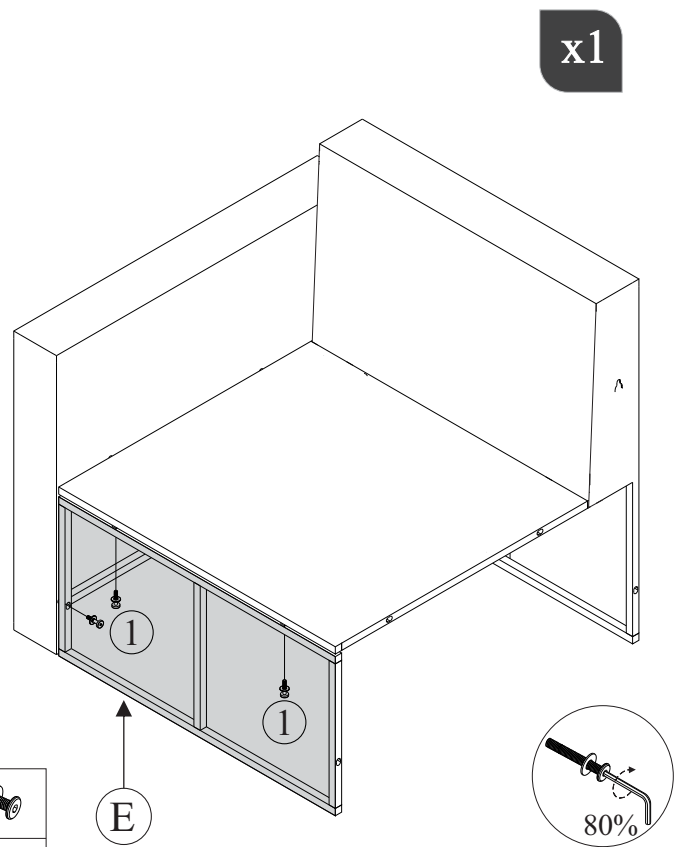
STEP 11

Connect Back frame (A), Seat frame (D) & Right frame (B) with Bolt (1)



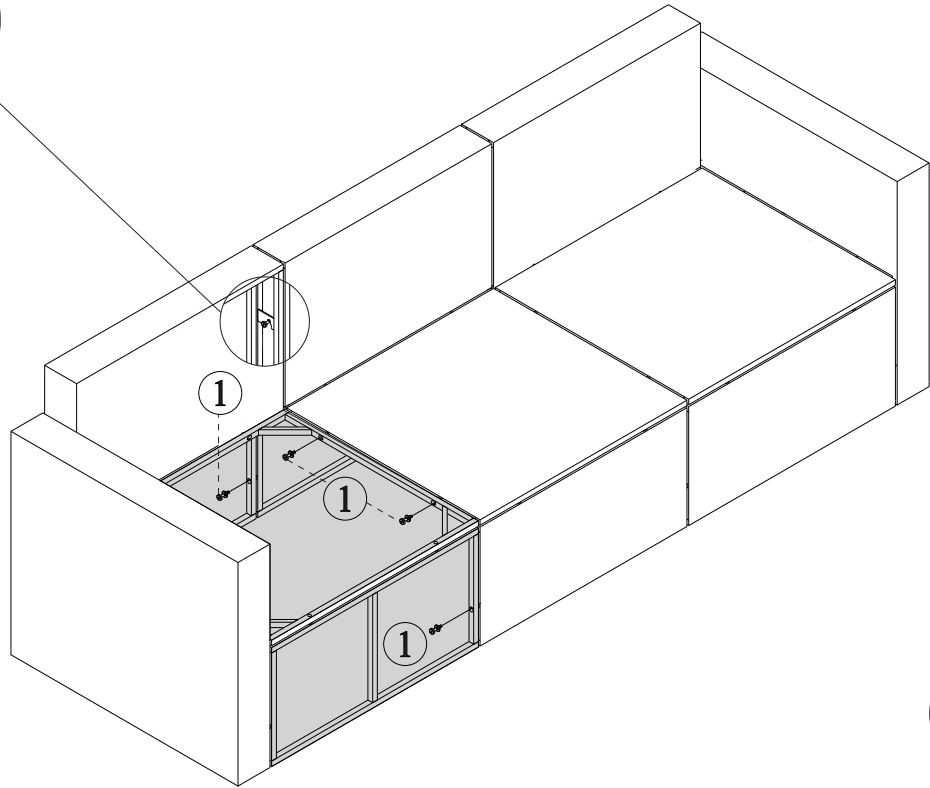
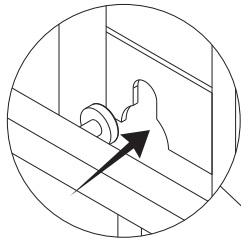
STEP 12

Connect part from STEP 11 & Front frame (E), with Bolt (1)



STEP 13

Connect part from STEP 12 & STEP 10 with Bolt (1)



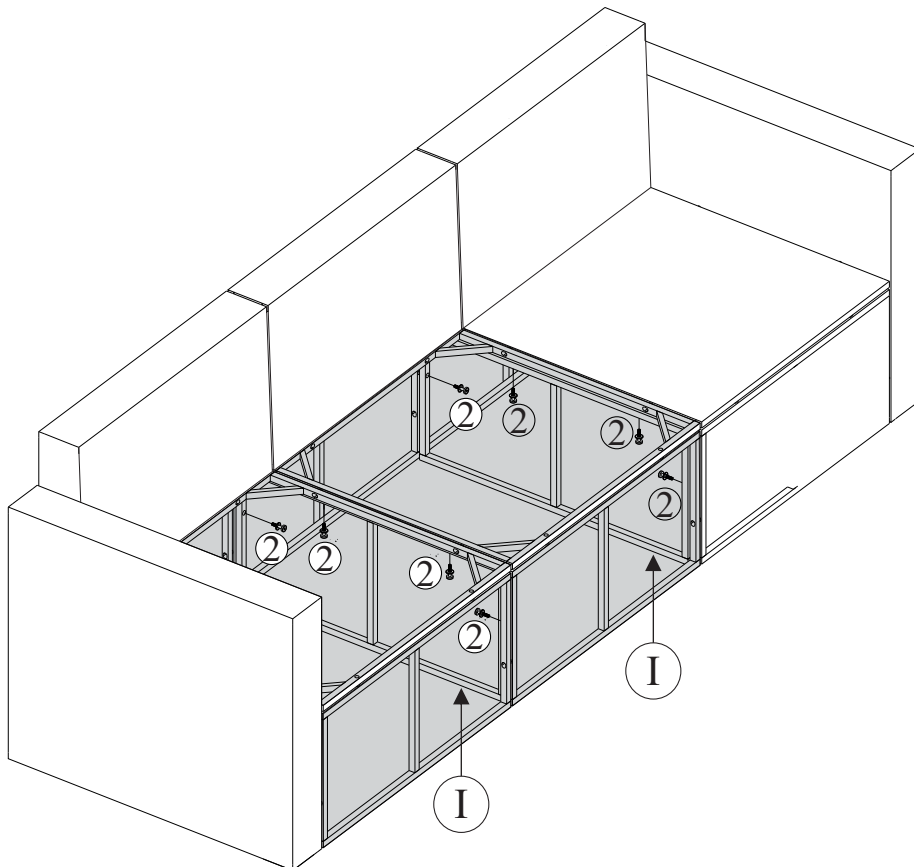
x1



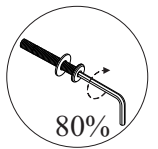
4 pcs

STEP 14

Connect part from STEP 13 & Inner frame (I) with Bolt (2)



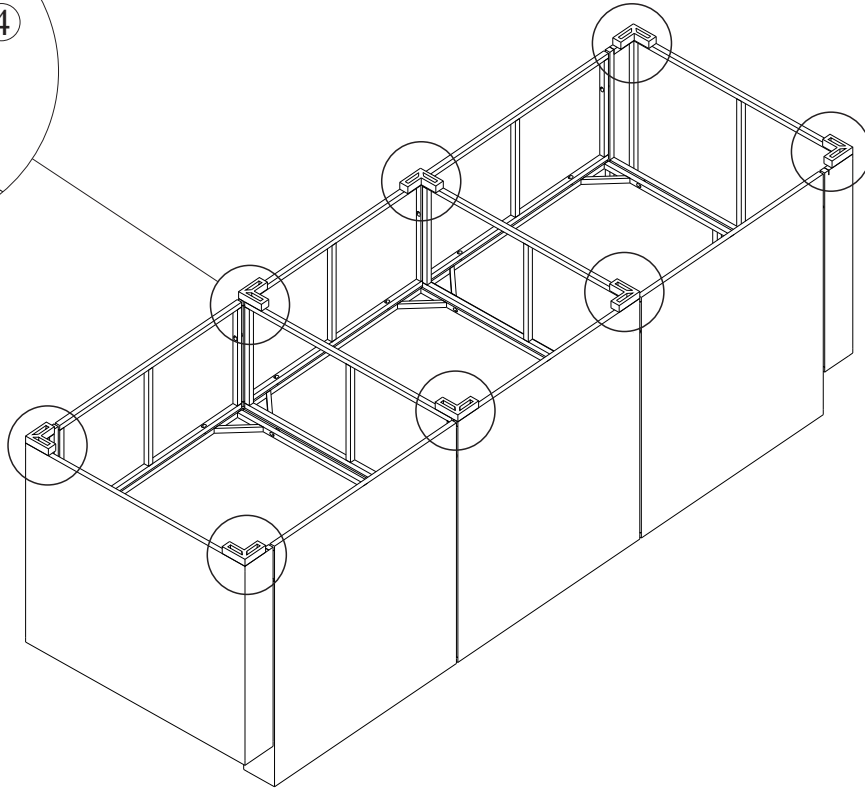
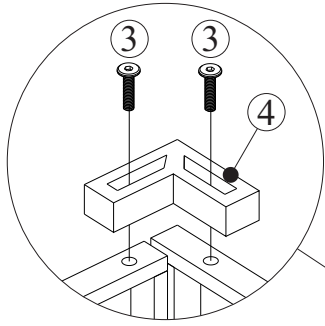
x1



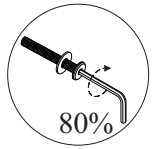
8 pcs



STEP 15

Connect part from STEP 13 & Sofa sole (4) with Bolt (3)



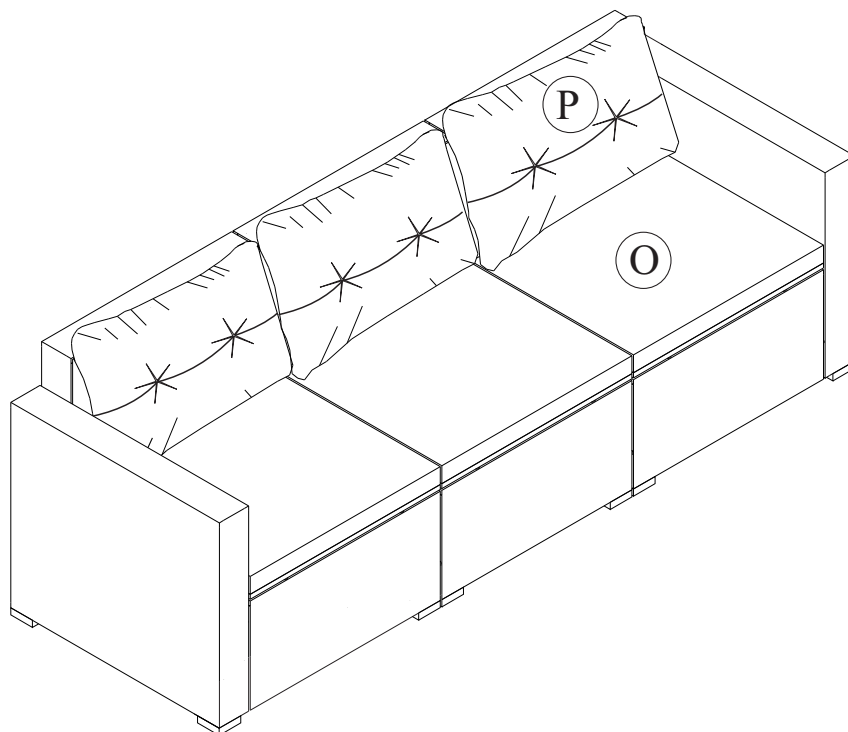
x1



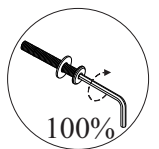
	
16 pcs	8 pcs

STEP 16

Put on Cushion (O) & Back Pillow (P) to complete the Bench.



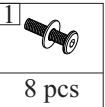
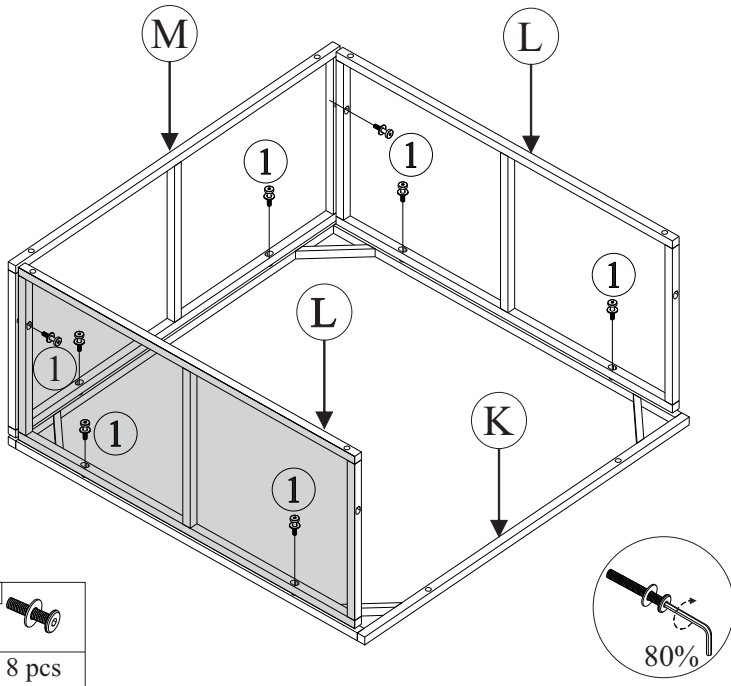
x1



STEP 17

Connect Table top frame (K),
2pcs Small side frame (L) & Big side frame (M)
with Bolt (1)

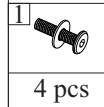
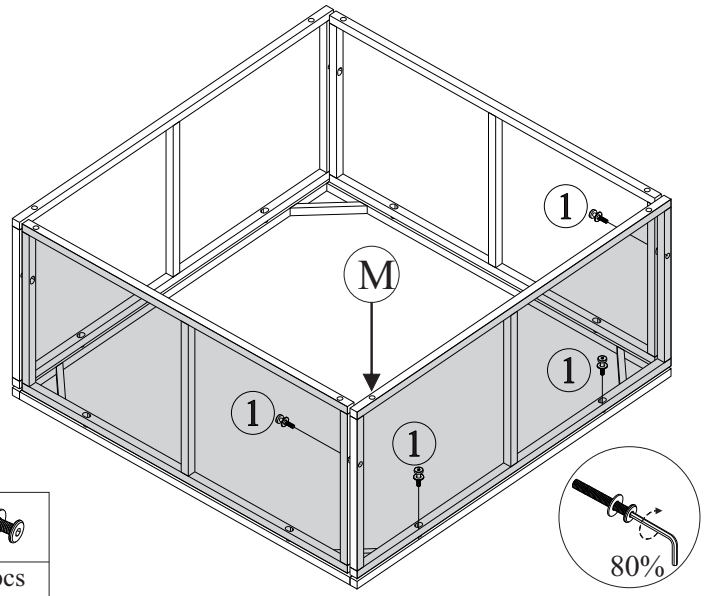
x1



STEP 18

Connect part from Step 17 & Big side frame (M)
with Bolt (1)

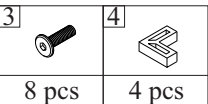
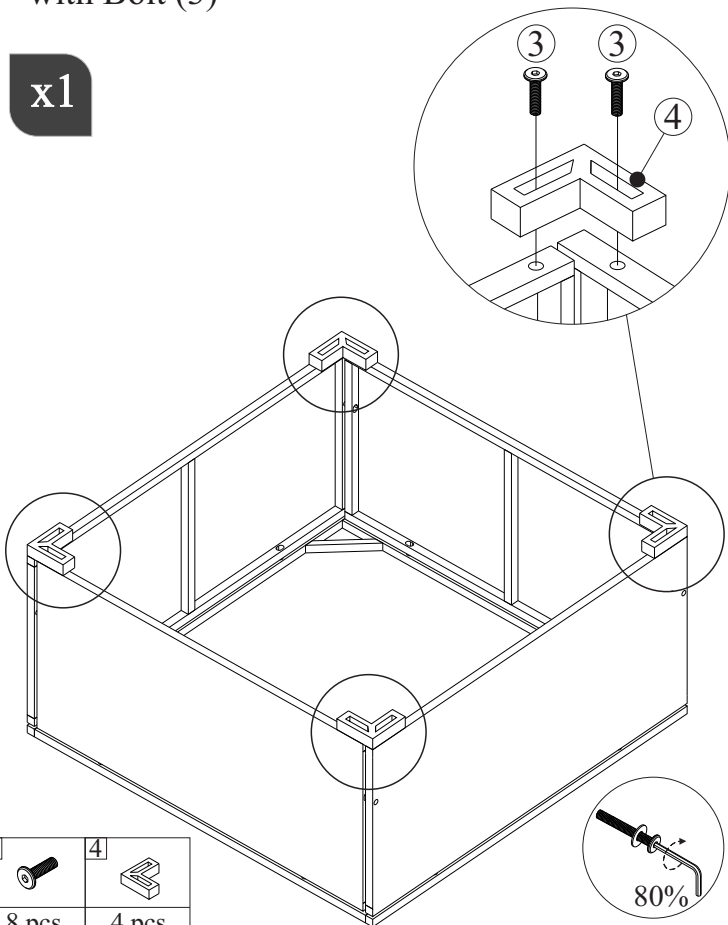
x1



STEP 19

Connect part from STEP 18 & Sofa sole (4)
with Bolt (3)

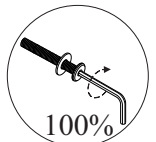
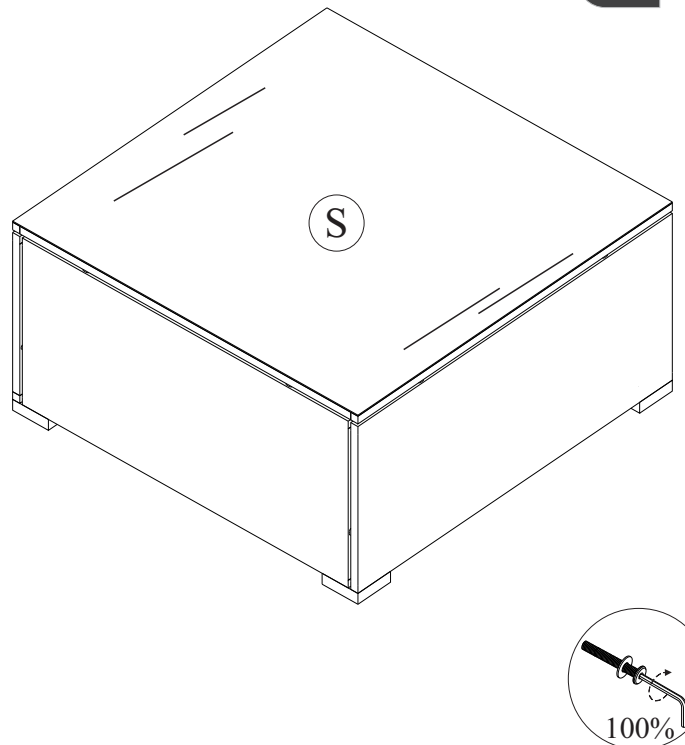
x1



STEP 20

Put on Glass (S) to complete Table

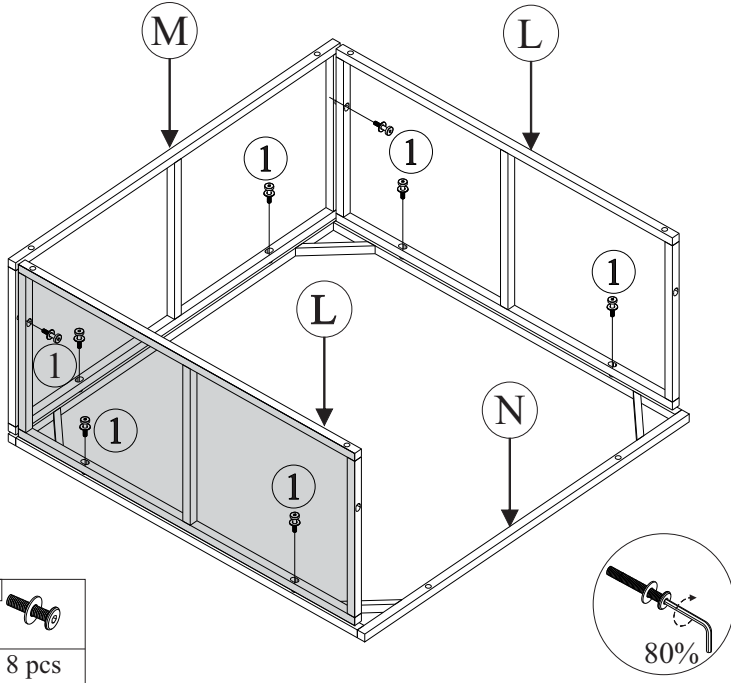
x1



STEP 21

Connect Stool seat frame (N),
2pcs Small side frame (L) & Big side frame (M)
with Bolt (1)

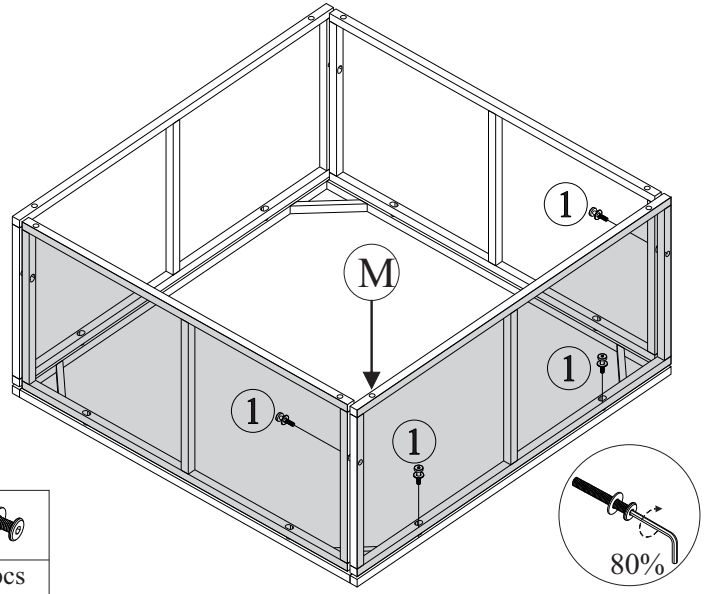
x2



STEP 22

Connect part from Step 21 & Big side frame (M)
with Bolt (1)

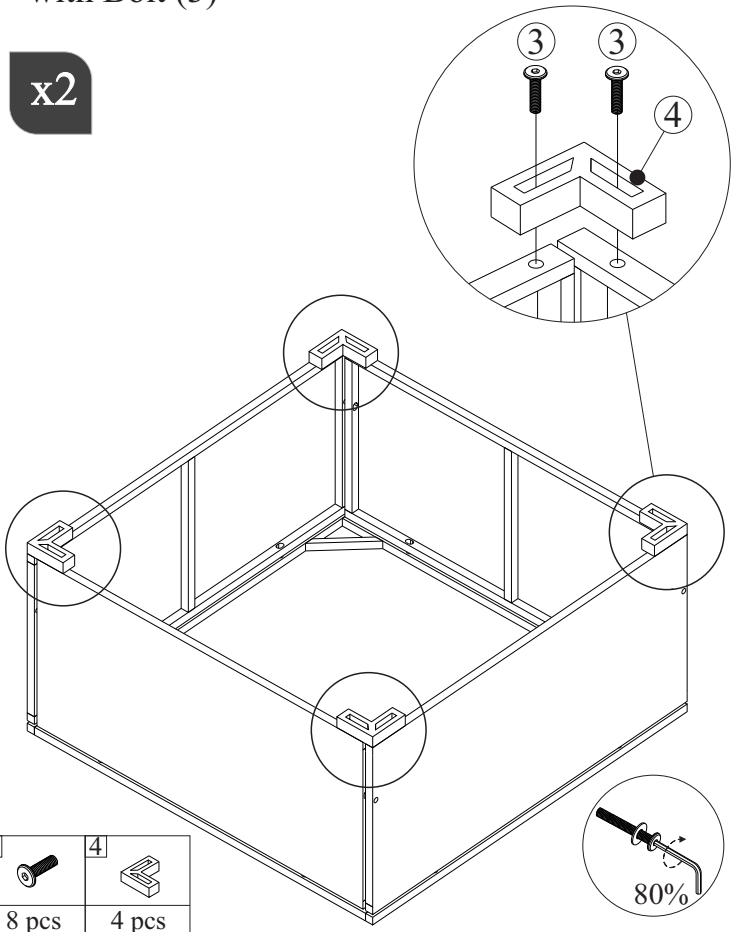
x2



STEP 23

Connect part from STEP 22 & Sofa sole (4)
with Bolt (3)

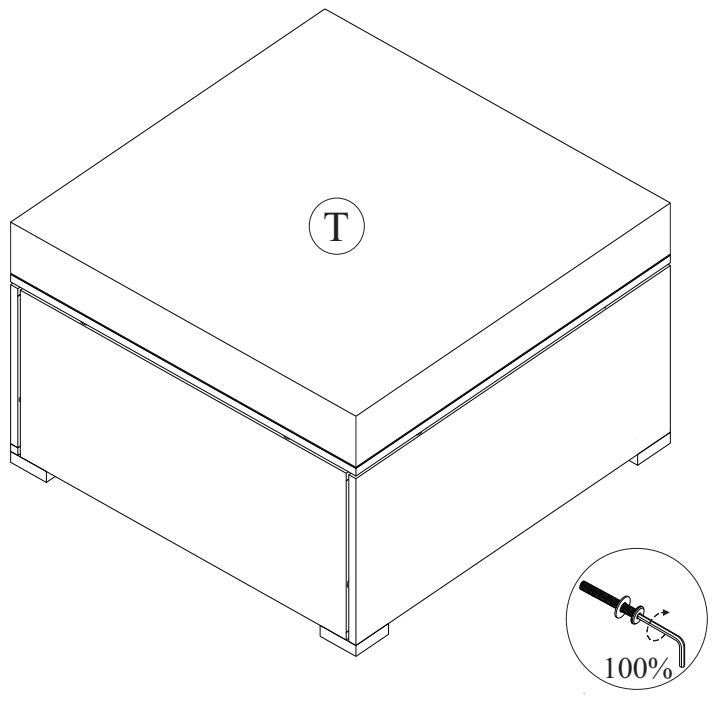
x2



STEP 24

Put on Stool cushion (T) to complete stool.

x2



Care and Maintenance

Use a soft, clean cloth that will not scratch the surface when dusting.

Use of furniture polish is not necessary.

Should you choose to use polish, test first in an inconspicuous area.

Using solvents of any kind on your furniture may damage the finish.

Liquid spills should be removed immediately. Using a soft clean cloth, blot the spill gently. Avoid rubbing.

Check bolts/screws periodically and tighten them if necessary.

Further advice about wood furniture care

It is best to keep your furniture in a climate-controlled environment.

Extreme temperature and humidity changes can cause fading, warping, shrinking and splitting of wood.

It is advised to keep furniture away from direct sunlight as sun may damage the finish.

Proper care and cleaning at home will extend the life of your purchase.

Following these important and helpful tips will enhance your furniture as it ages.

