

# Manual

## Notice



Read this assembly manual carefully, and verify that you have all the parts listed before you begin. Keep your assembly manual for future reference.



Move this stand gently with 2 persons.



Protect finishes by placing furniture pieces on a soft carpeted surface during assembly.



Do not place very hot/cold objects on top of any surface. Always use a coaster or mat. Never leave liquids on the surface: Clean immediately with a mild soap and a damp cloth. Never use scouring powder based cleanser. Don't touch the glass surface with a hard/acute object it may cause the glass to shatter.

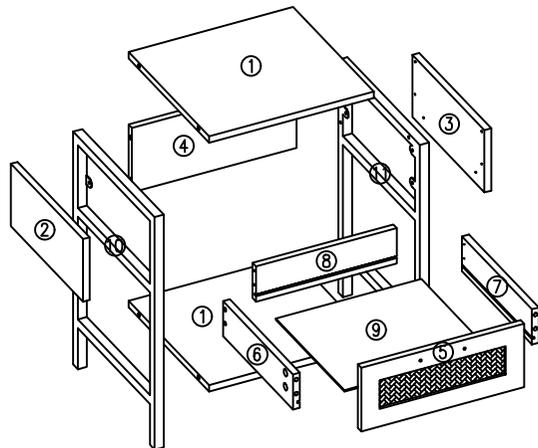


**DO NOT ASSUME CHILD SAFETY WITH ANY PIECE OF FURNITURE!**

Do not allow children to climb on furniture. Improper use can cause death or serious injury. If you are placing a TV on top use safety straps on your TV to prevent the risk of a toppling television. Furniture straps fastened to a wall can also be used to help ensure safety.

Damaged parts or furniture put together incorrectly can lead to serious injuries. Make sure to follow instructions correctly.

## Parts list



**A x16**



D1: M6\*38mm  
D2: M15\*11mm

**B x16**



M3.5\*14mm

**C x4**



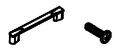
M3.5\*30mm

**D x1**



D1:      D2:

**E x1**

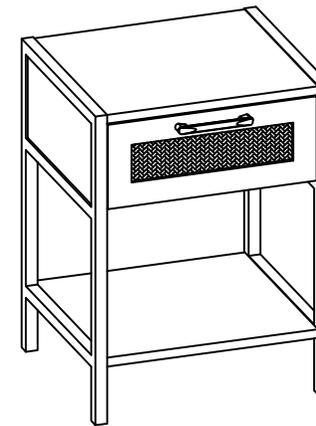


E1: 96mm  
E2: 18mm

**F x1**



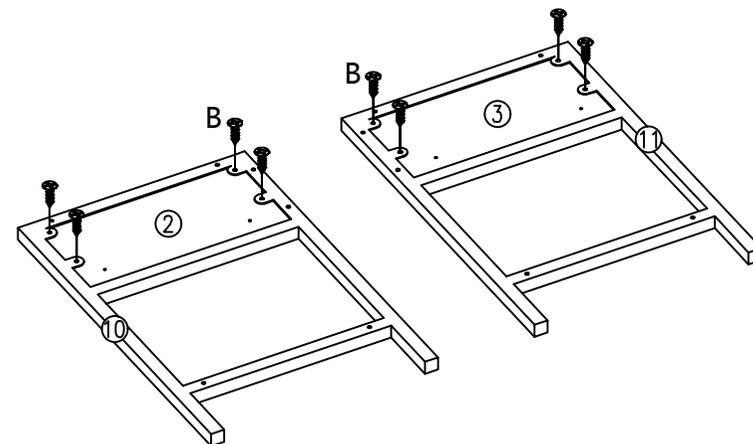
Model No.:  
**JZQ3208**



**1**

**B**

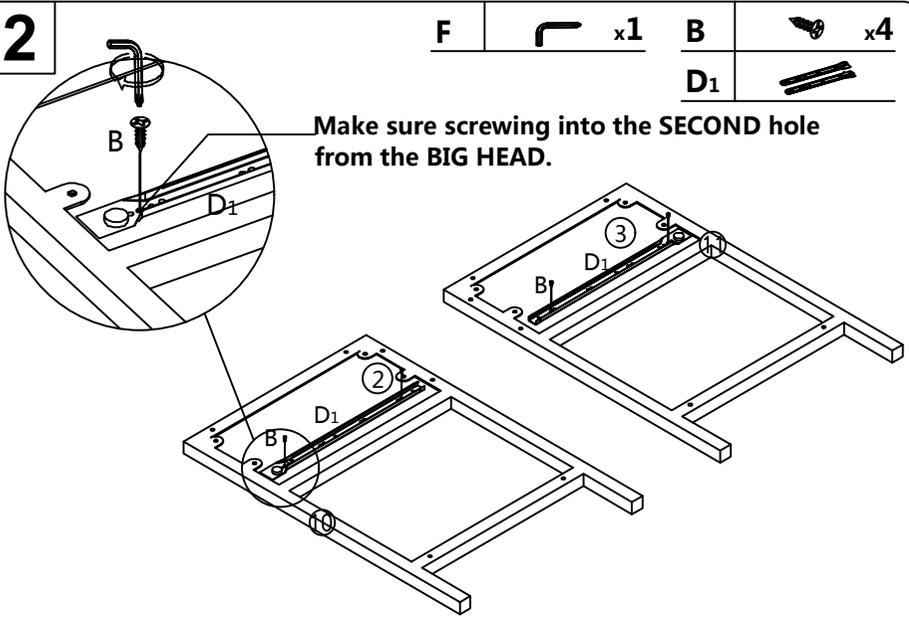
**x8**



**2**

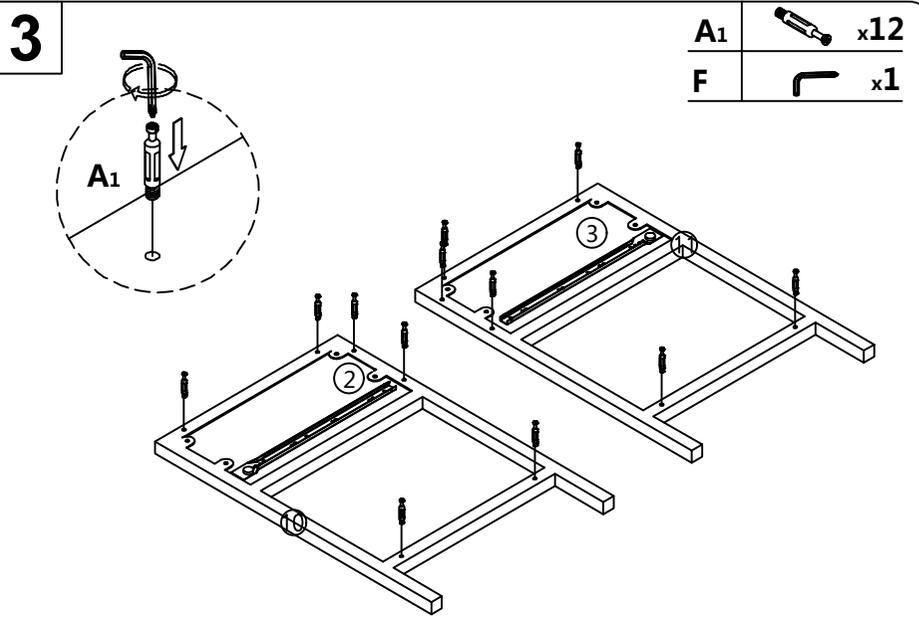
F	 x1	B	 x4
		D1	

Make sure screwing into the **SECOND** hole from the **BIG HEAD**.



**3**

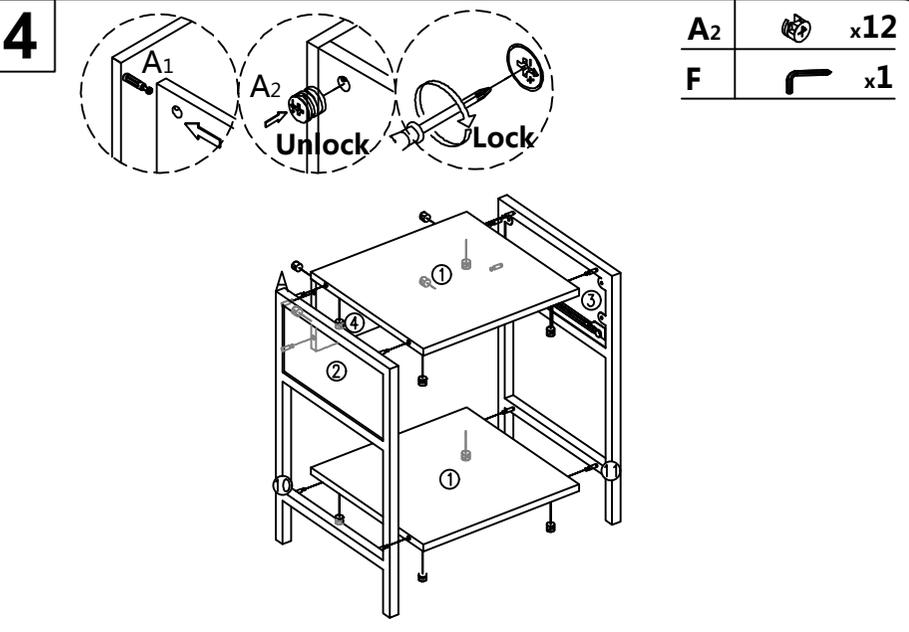
A1	 x12
F	 x1



**4**

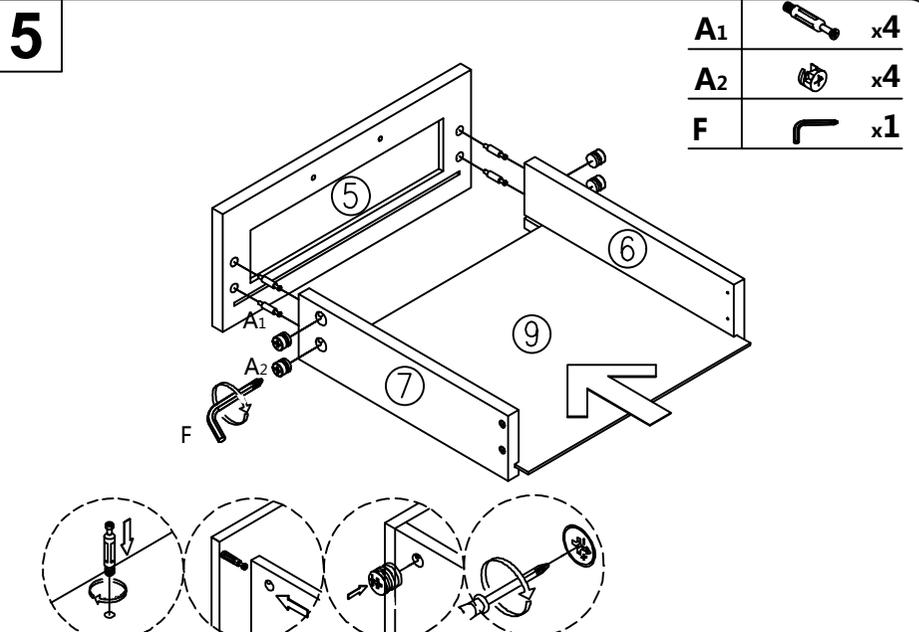
A2	 x12
F	 x1

Unlock Lock



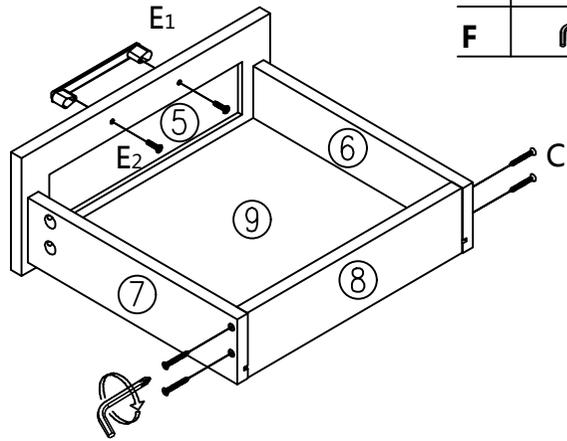
**5**

A1	 x4
A2	 x4
F	 x1



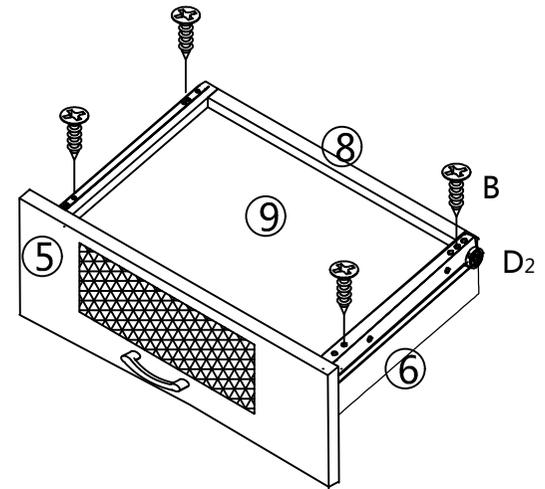
6

C		x4
E1		x1
E2		x2
F		x2

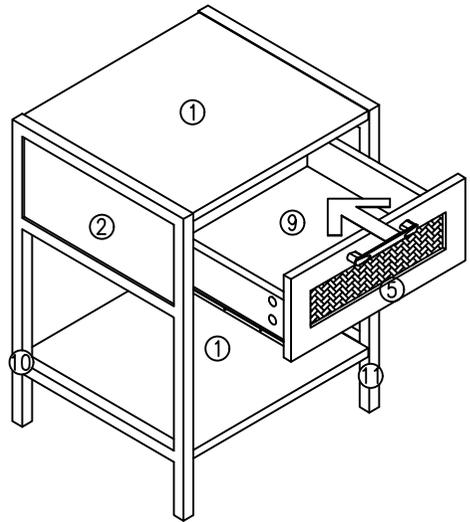


7

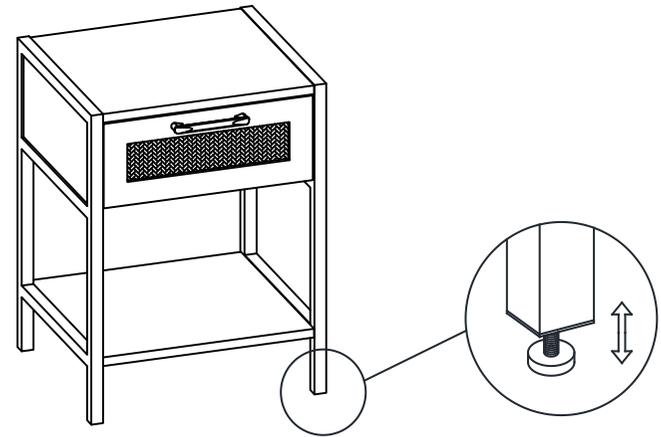
B		x4
D2		



8



9



You can adjust the balance of the cabinet by turning the black footing at the bottom.