

# Manual

## Notice



Read this assembly manual carefully, and verify that you have all the parts listed before you begin. Keep your assembly manual for future reference.



Move this stand gently with 2 persons.



Protect finishes by placing furniture pieces on a soft carpeted surface during assembly.



Do not place very hot/cold objects on top of any surface. Always use a coaster or mat. Never leave liquids on the surface: Clean immediately with a mild soap and a damp cloth. Never use scouring powder based cleanser. Don't touch the glass surface with a hard/acute object it may cause the glass to shatter.



**DO NOT ASSUME CHILD SAFETY WITH ANY PIECE OF FURNITURE!**

Do not allow children to climb on furniture. Improper use can cause death or serious injury. If you are placing a TV on top use safety straps on your TV to prevent the risk of a toppling television. Furniture straps fastened to a wall can also be used to help ensure safety.

Damaged parts or furniture put together incorrectly can lead to serious injuries. Make sure to follow instructions correctly.

## Parts list

**A x24**



A1  
M6\*38mm



A2  
M15\*11mm

**B x4**



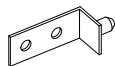
φ8\*40mm

**C x24**



M3.5\*14mm

**D x4**



**E x4**



**F x4**



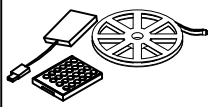
**G x2**



**H x1**



**I x1**

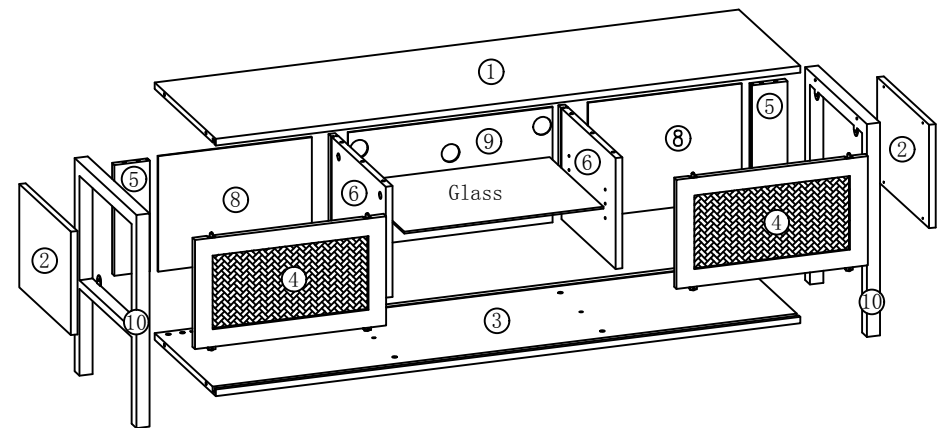
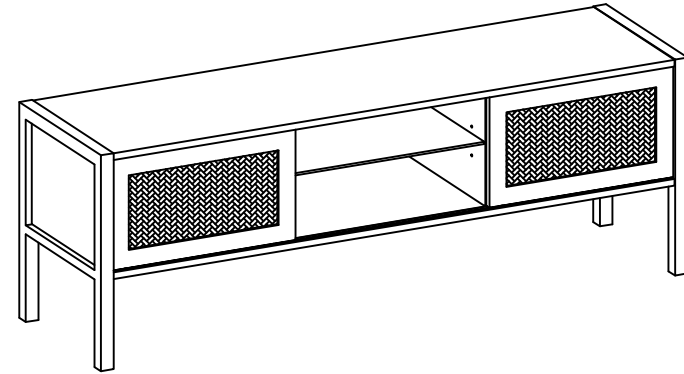


LED TAPE


**J x12**

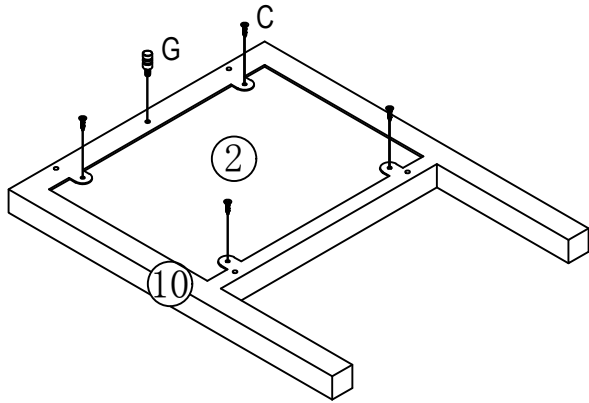


Model No.:  
**JZQ3210**



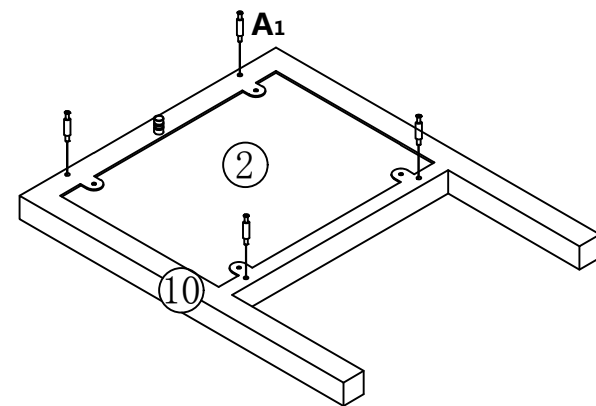
**1** x2

C		x8
G		x2



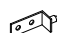


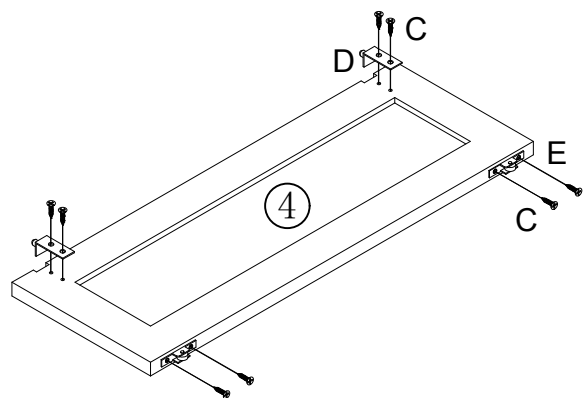
**2** x2

A1		x8
----	---	----





**3** x2

E		x4
B		x16
D		x4



**4**

A1		x8
B		x2

