

# Manual

## Notice



Read this assembly manual carefully, and verify that you have all the parts listed before you begin. Keep your assembly manual for future reference.



Move this stand gently with 2 persons.



Protect finishes by placing furniture pieces on a soft carpeted surface during assembly.



Do not place very hot/cold objects on top of any surface. Always use a coaster or mat. Never leave liquids on the surface: Clean immediately with a mild soap and a damp cloth. Never use scouring powder based cleanser. Don't touch the glass surface with a hard/acute object it may cause the glass to shatter.

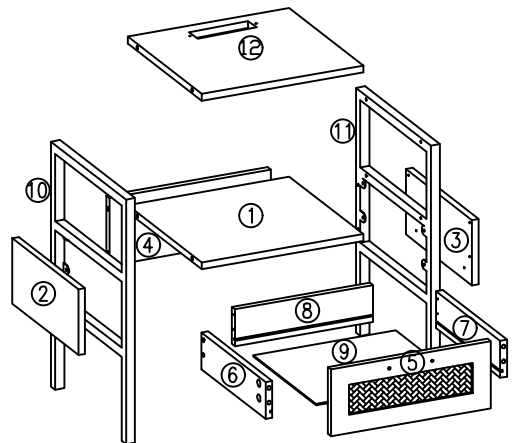


**DO NOT ASSUME CHILD SAFETY WITH ANY PIECE OF FURNITURE!**

Do not allow children to climb on furniture. Improper use can cause death or serious injury. If you are placing a TV on top use safety straps on your TV to prevent the risk of a toppling television. Furniture straps fastened to a wall can also be used to help ensure safety.

Damaged parts or furniture put together incorrectly can lead to serious injuries. Make sure to follow instructions correctly.

## Parts list



**H x2**



M3.5\*14mm(Black)

**G x1**



**A x16**



A1: M6\*38mm  
A2: M15\*11mm

**B x16**



M3.5\*14mm

**C x4**



M3.5\*30mm

**D x1**



D1:      D2:

**E x1**

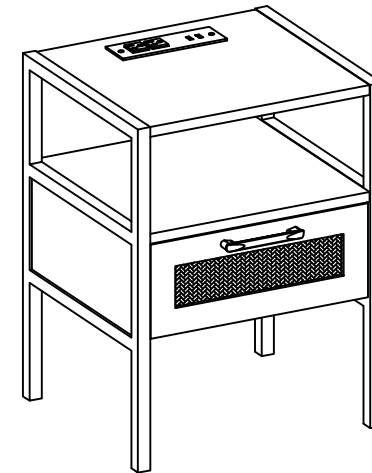


E1: 96mm  
E2: 18mm

**F x1**



Model No.:  
**JZQ3207-CS**

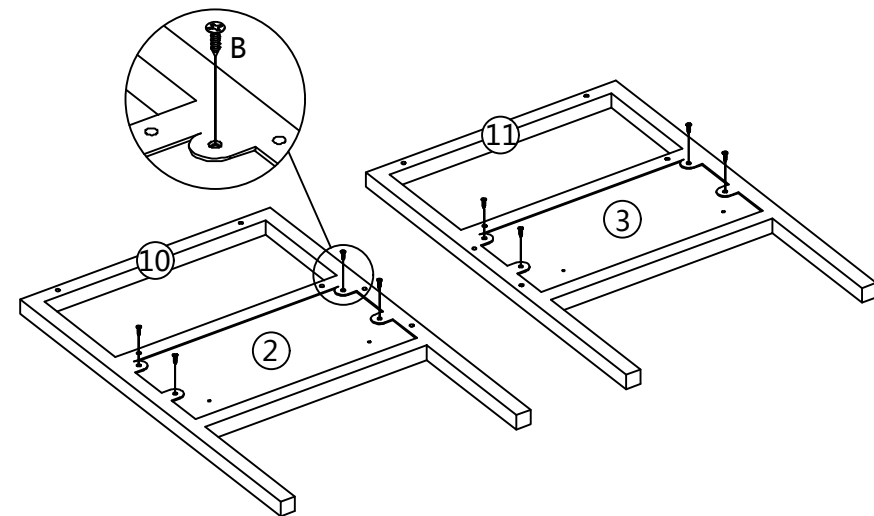


**1**




**B**



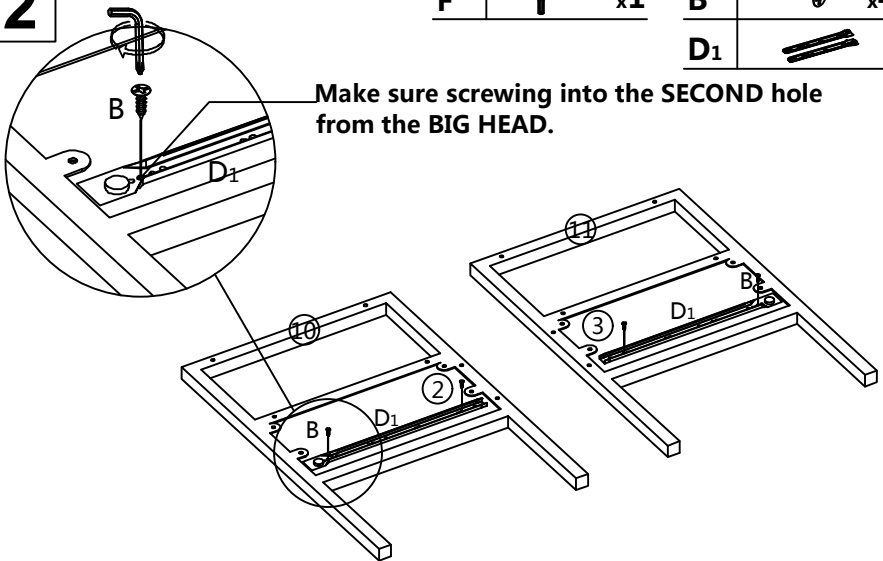
**x8**





**2**

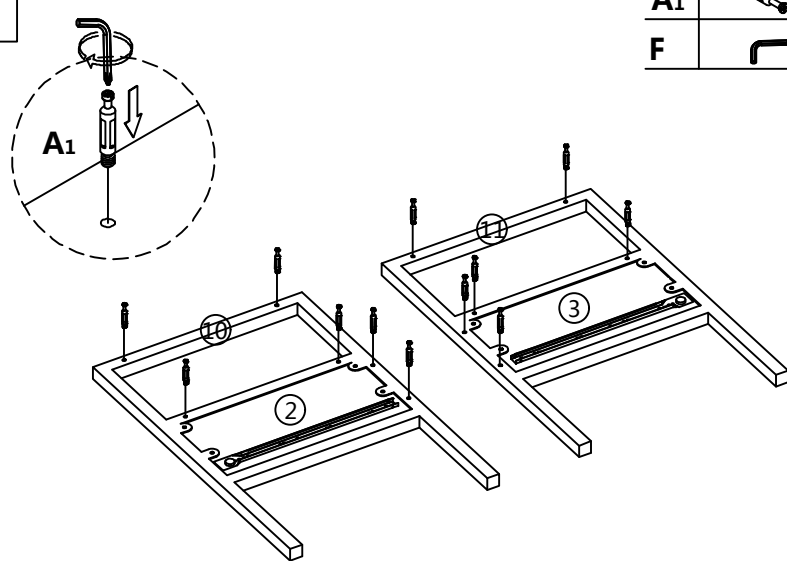
|   |  |    |  |
|---|--|----|--|
| F |  x1 | B  |  x4 |
|   |  | D1 |    |

Make sure screwing into the **SECOND** hole from the **BIG HEAD**.





**3**

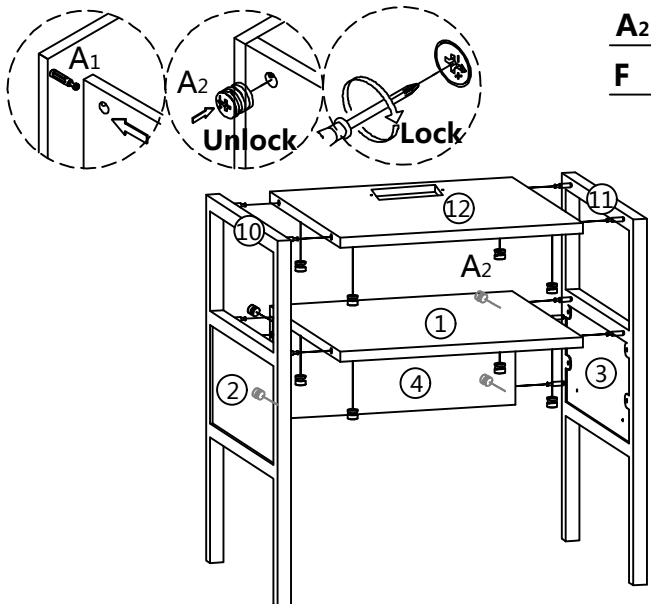
|    |   |
|----|---|
| A1 |  x12 |
| F  |  x1  |






**4**

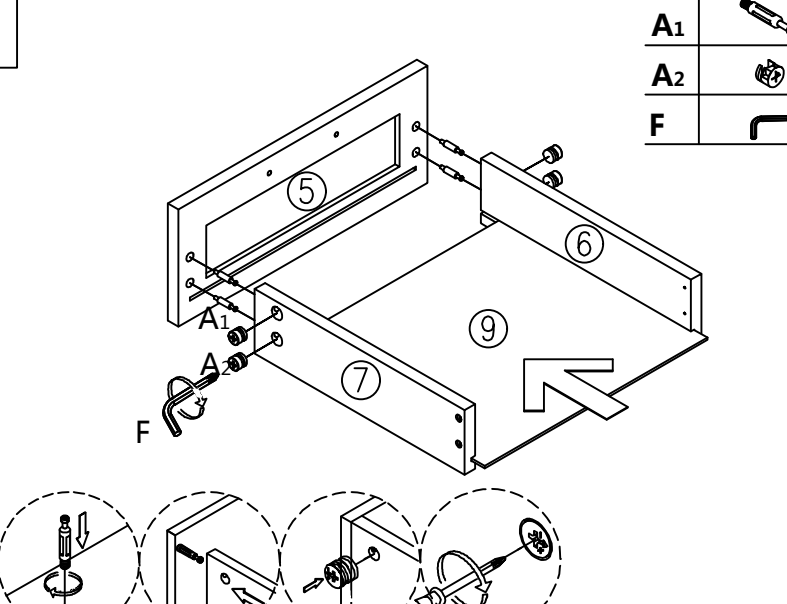
|    |   |
|----|---|
| A2 |  x12 |
| F  |  x1  |

Unlock Lock







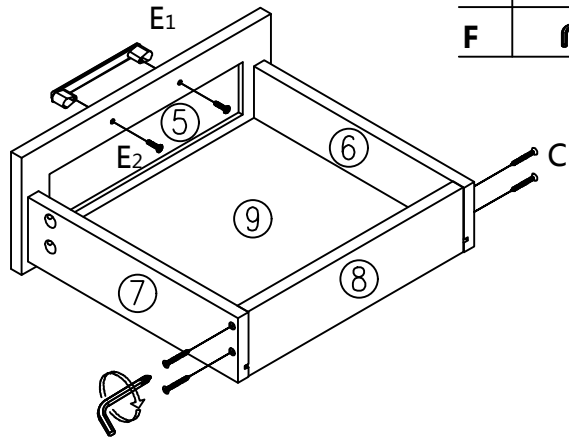
**5**

|    |  |
|----|--|
| A1 |  x4 |
| A2 |  x4 |
| F  |  x1 |





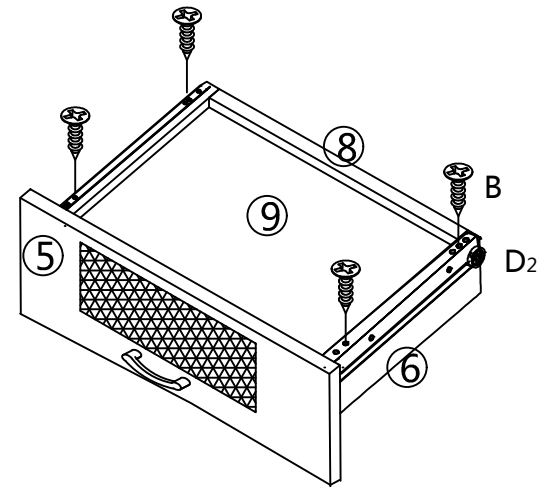
6

|    |   |    |
|----|---|----|
| C  |  | x4 |
| E1 |  | x1 |
| E2 |  | x2 |
| F  |  | x2 |



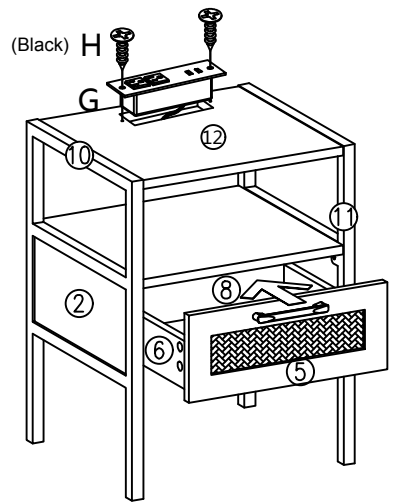
7

|    |   |    |
|----|---|----|
| B  |  | x4 |
| D2 |  |    |

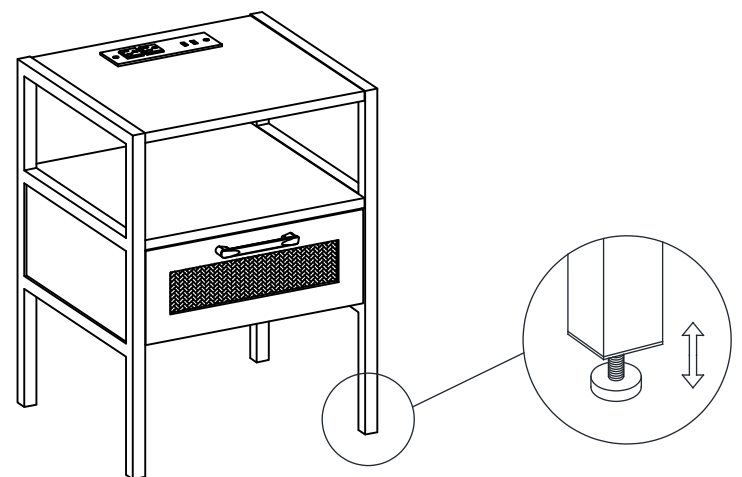


8

|   |   |    |
|---|---|----|
| H |  | x2 |
| G |  | x1 |



9



You can adjust the balance of the cabinet by turning the black footing at the bottom.