

# Manual

## Notice



Read this assembly manual carefully, and verify that you have all the parts listed before you begin. Keep your assembly manual for future reference.



Move this stand gently with 2 persons.



Protect finishes by placing furniture pieces on a soft carpeted surface during assembly.



Do not place very hot/cold objects on top of any surface. Always use a coaster or mat. Never leave liquids on the surface: Clean immediately with a mild soap and a damp cloth. Never use scouring powder based cleanser. Don't touch the glass surface with a hard/acute object it may cause the glass to shatter.

**DO NOT ASSUME CHILD SAFETY WITH ANY PIECE OF FURNITURE!**

Do not allow children to climb on furniture. Improper use can cause death or serious injury. If you are placing a TV on top use safety straps on your TV to prevent the risk of a toppling television. Furniture straps fastened to a wall can also be used to help ensure safety.

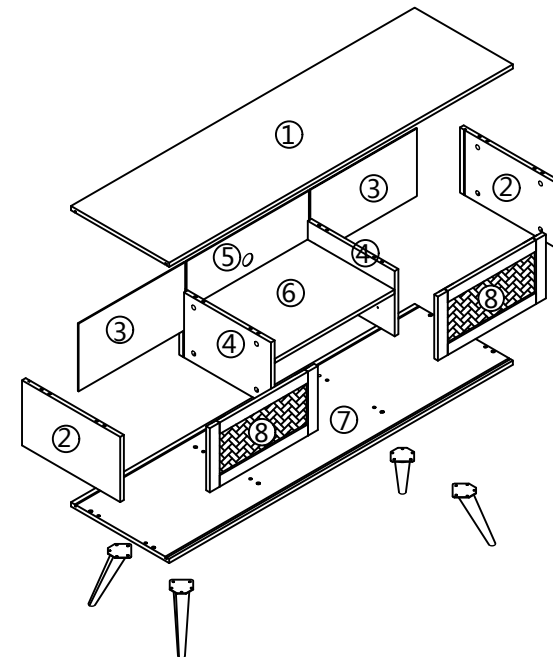
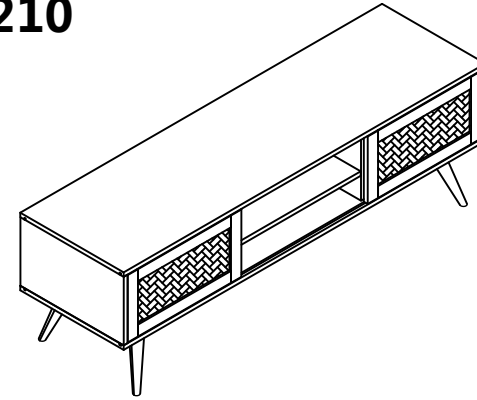


Damaged parts or furniture put together incorrectly can lead to serious injuries. Make sure to follow instructions correctly.




## Parts list

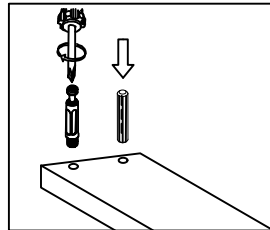
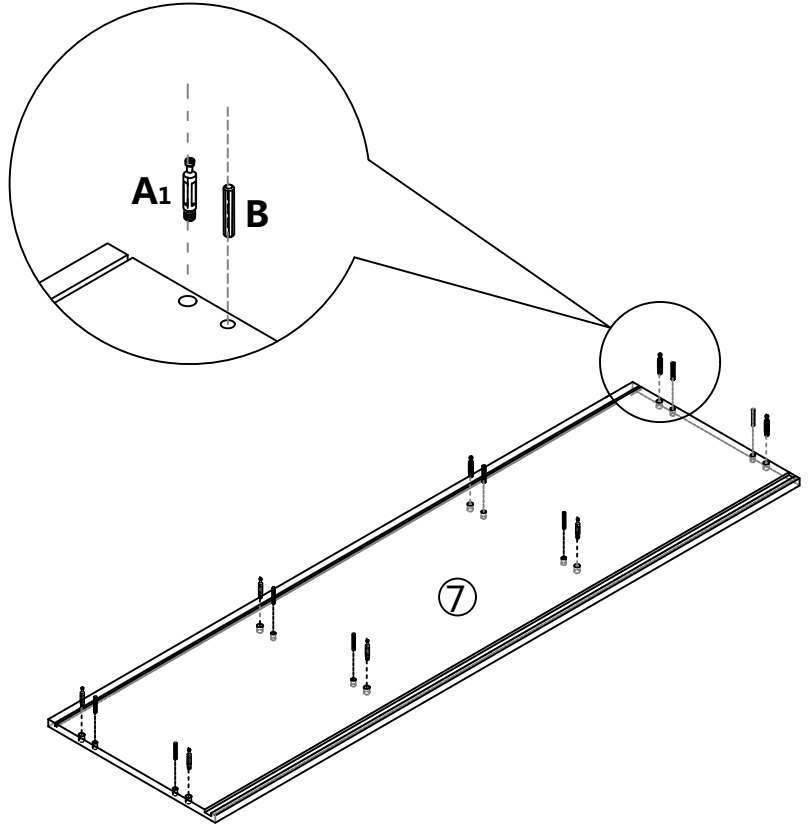
<b>1</b> x1	<b>2</b> x2	<b>3</b> x2	<b>4</b> x2		
<b>5</b> x1	<b>6</b> x1	<b>7</b> x1	<b>8</b> x2		
<b>A</b> x16 A1 A2	<b>B</b> x16	<b>C</b> x36 3.5*14	<b>D</b> x4	<b>E</b> x4	<b>F</b> x4
<b>G</b> x4	<b>H</b> x4				Tools Required(Not included) 




Model No.:  
**JZQ2210**

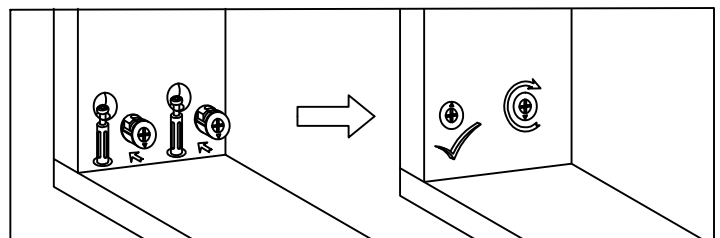
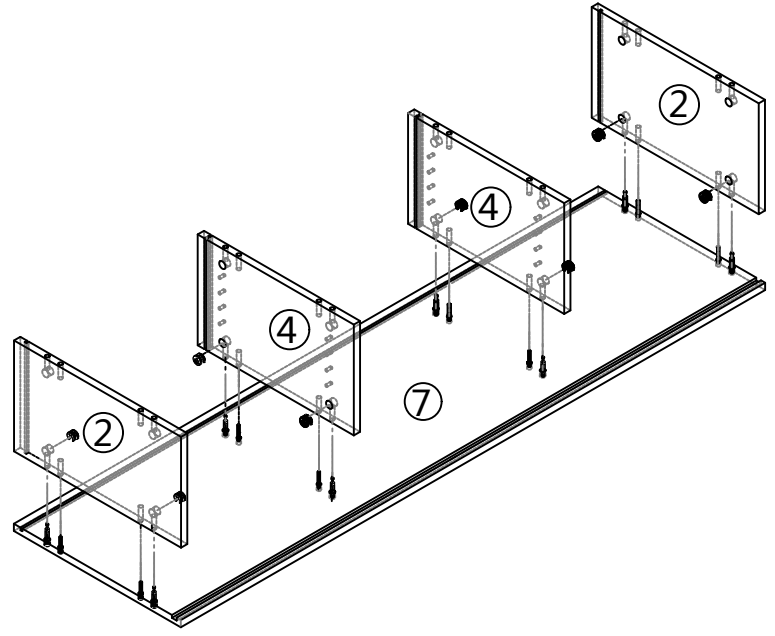


**1**



<b>A1</b>		<b>x8</b>	<b>7</b>		<b>x1</b>
<b>B</b>		<b>x8</b>			

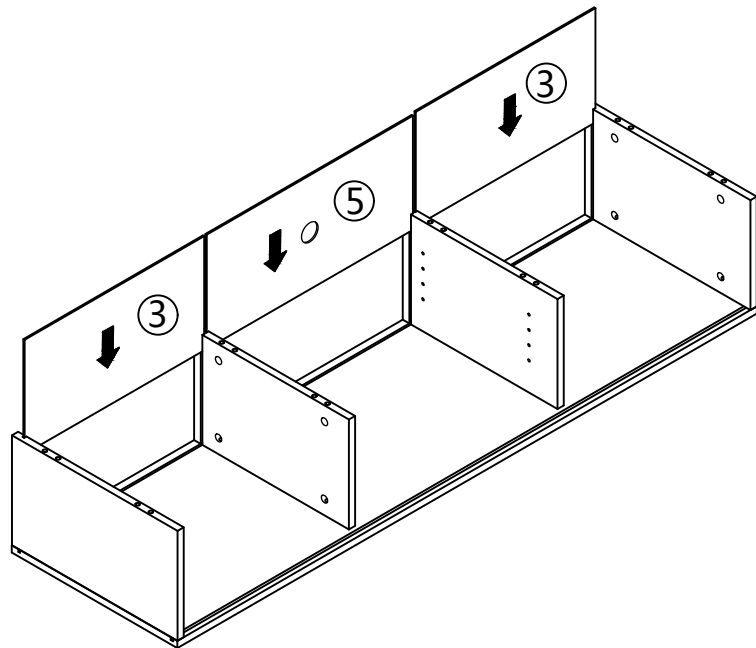
**2**

<b>A2</b>		<b>x8</b>	<b>2</b>		<b>x2</b>
			<b>4</b>		<b>x2</b>







3

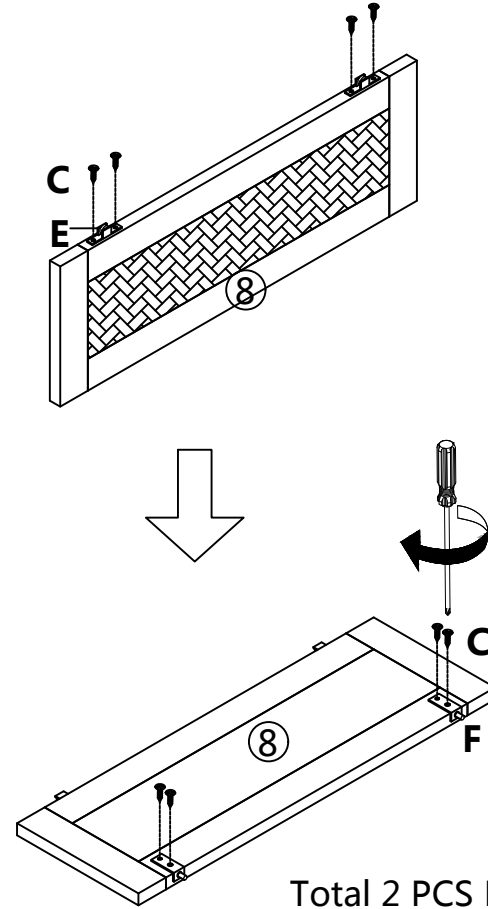
- |   |   |    |
|---|---|----|
| ③ |  | x2 |
| ⑤ |  | x1 |



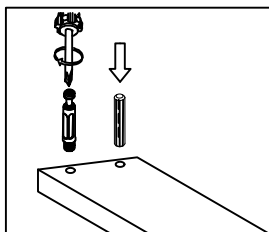
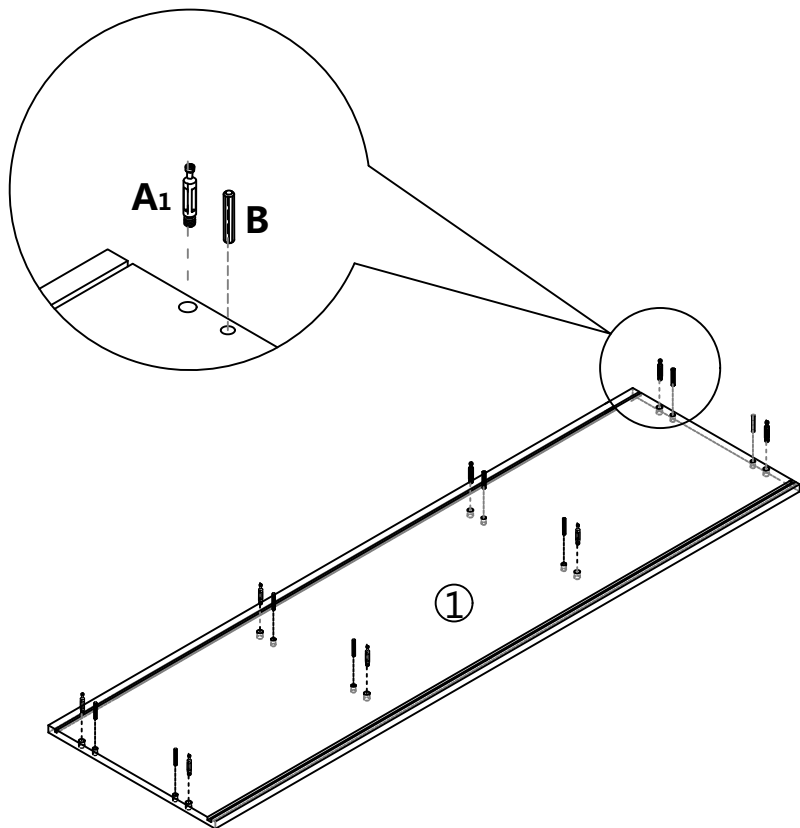
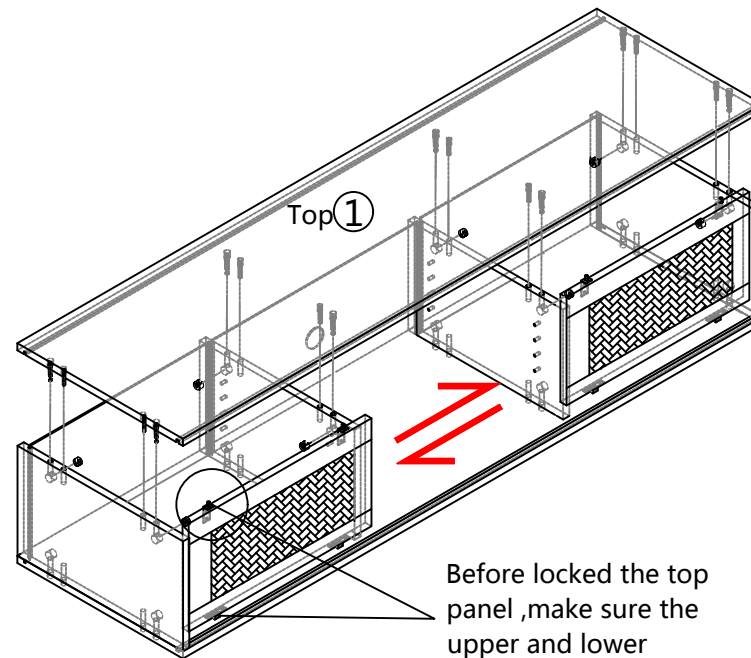
4

- |   |   |    |   |   |     |
|---|---|----|---|---|-----|
| E |  | x4 | ⑧ |  | x2  |
| F |  | x4 | C |  | x16 |

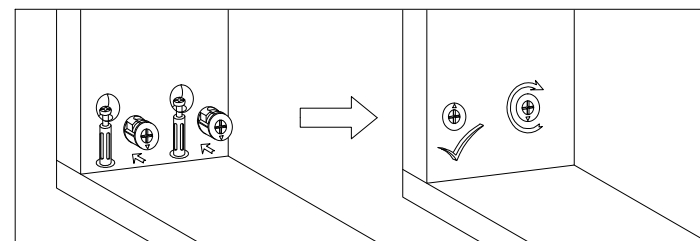
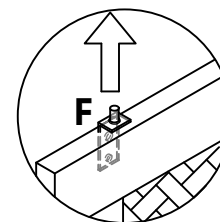
Please fully tighten the screws.






Total 2 PCS Doors

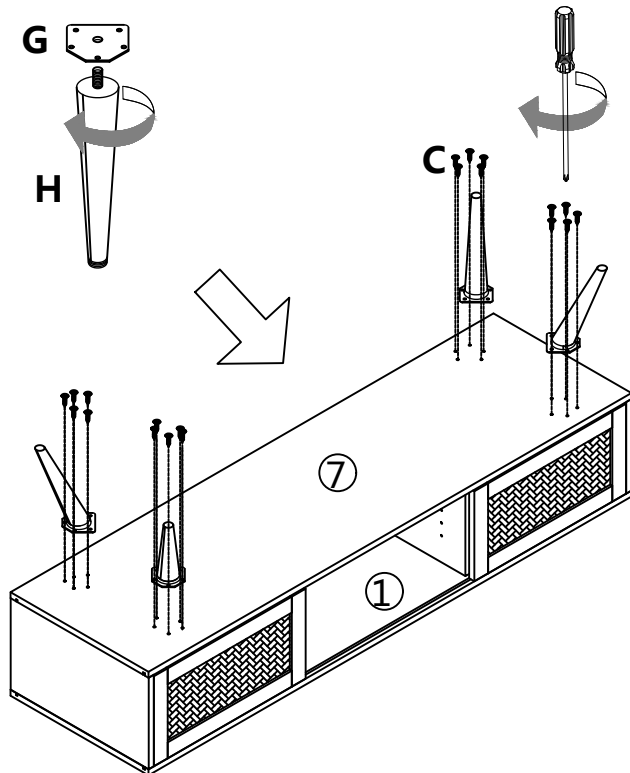
**5****A1****x8****①****x1****B****x8****6****A2****x8**

Before locked the top panel ,make sure the upper and lower hardware on the door panels are snagged into the slots.


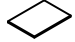


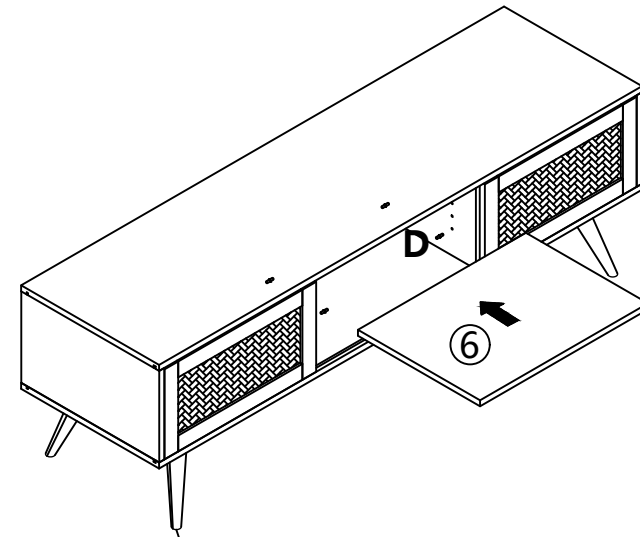
7

C		x20
G		x4
H		x4



8

D		x4
6		x1



You can adjust the balance of the cabinet by turning the black footing at the bottom.

