

Manual

Notice



Read this assembly manual carefully, and verify that you have all the parts listed before you begin. Keep your assembly manual for future reference.



Move this stand gently with 2 persons.



Protect finishes by placing furniture pieces on a soft carpeted surface during assembly.



Do not place very hot/cold objects on top of any surface. Always use a coaster or mat. Never leave liquids on the surface: Clean immediately with a mild soap and a damp cloth. Never use scouring powder based cleanser. Don't touch the glass surface with a hard/acute object it may cause the glass to shatter.



DO NOT ASSUME CHILD SAFETY WITH ANY PIECE OF FURNITURE!

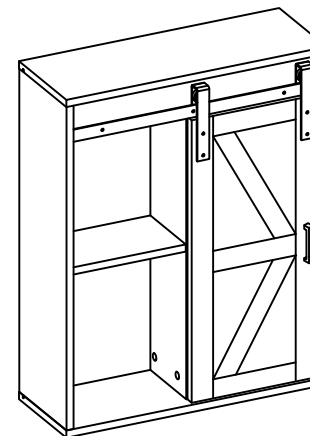
Do not allow children to climb on furniture. Improper use can cause death or serious injury. If you are placing a TV on top use safety straps on your TV to prevent the risk of a toppling television. Furniture straps fastened to a wall can also be used to help ensure safety.

Damaged parts or furniture put together incorrectly can lead to serious injuries. Make sure to follow instructions correctly.

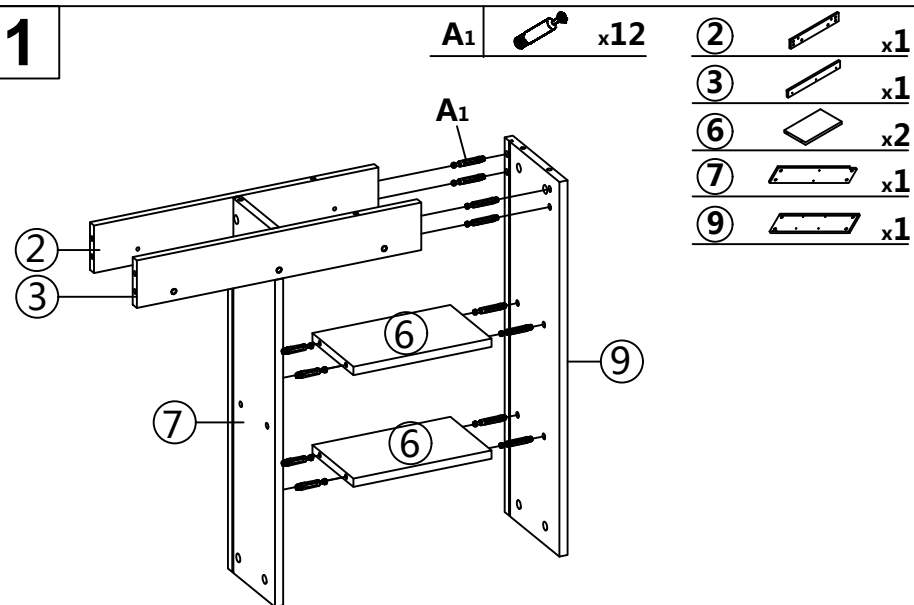
Parts list

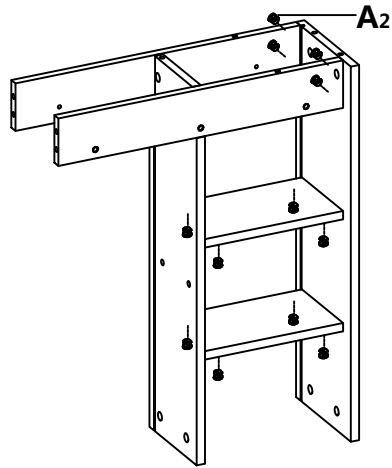

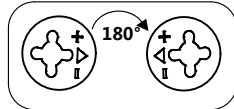
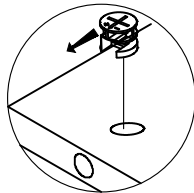
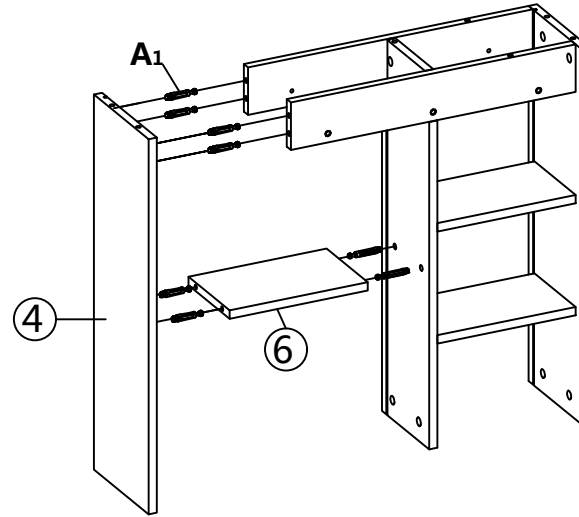
① x1 	② x1 	③ x1 	④ x1 	⑤ x1
⑥ x3 	⑦ x1 	⑧ x1 	⑨ x1 	⑩ x1
⑪ x1 	Tools Required (Not included) 			
A x36 	B x1 	C x2 	D x3 	E x4
F x3 	G x1 	H x2 	I x1 	J x4

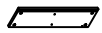


Model No.:
SY2201

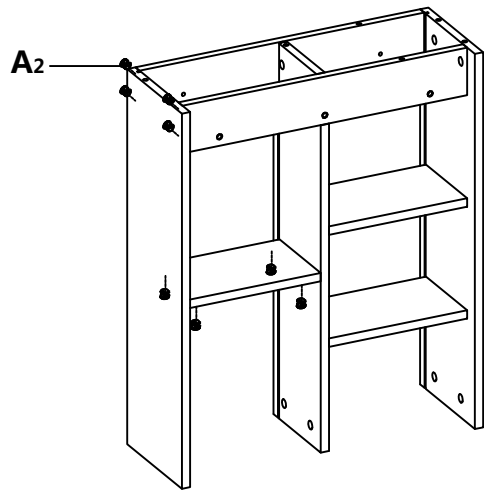
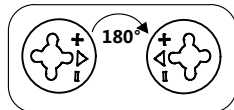
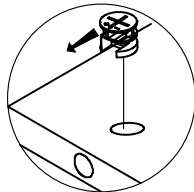
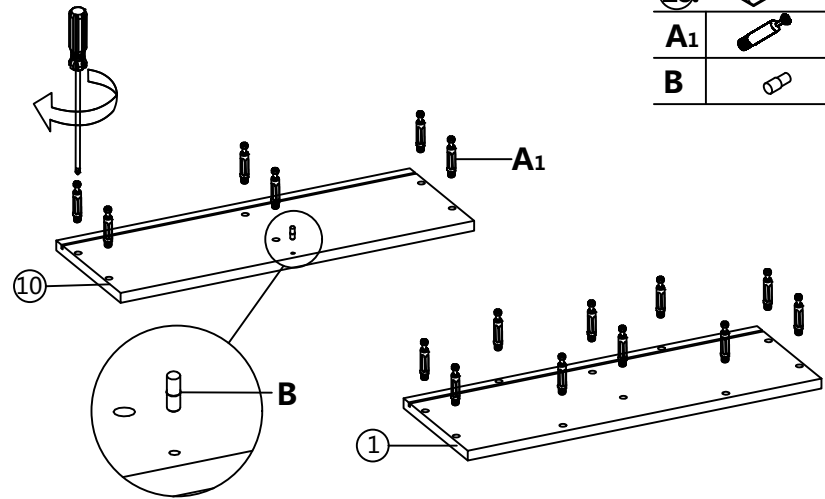






1

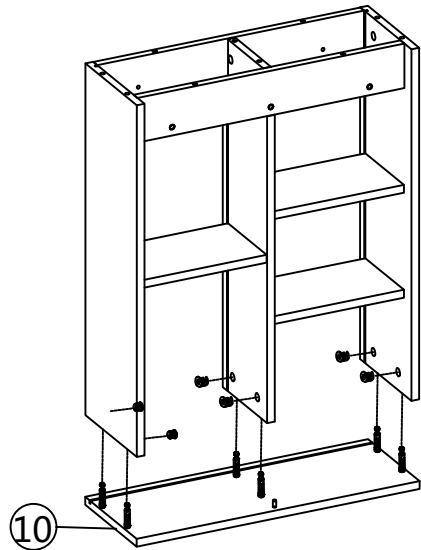
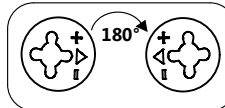
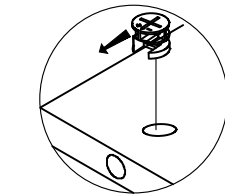
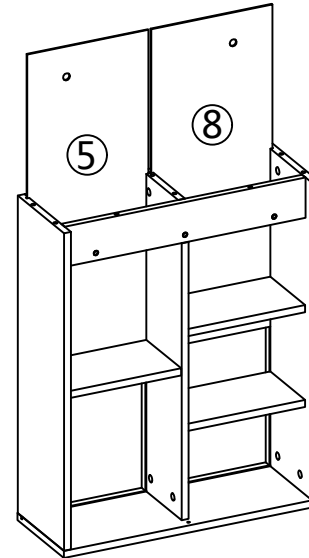




2A2  x12**3**

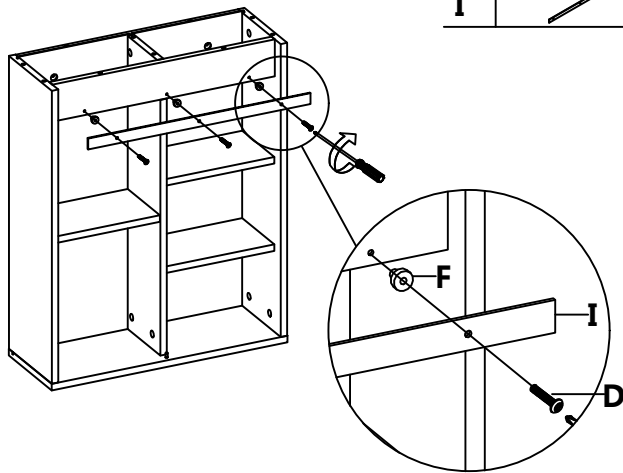
④		x1
⑥		x1
A1		x8




4A2  x8**5**

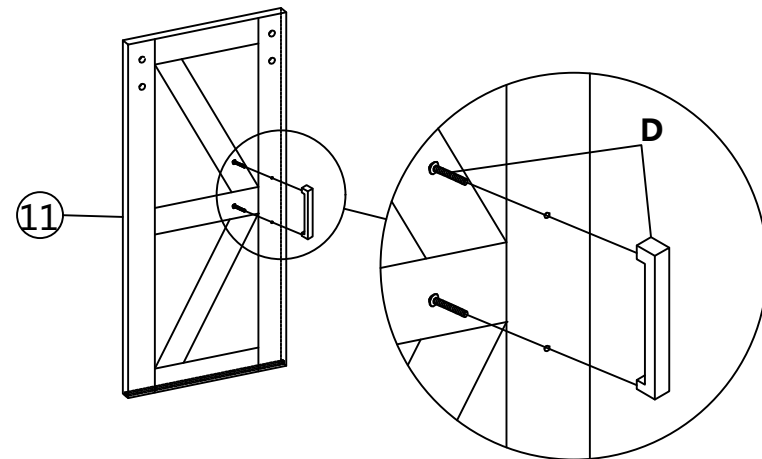
①		x1
⑩		x1
A1		x16
B		x1



6A2  x6**7**

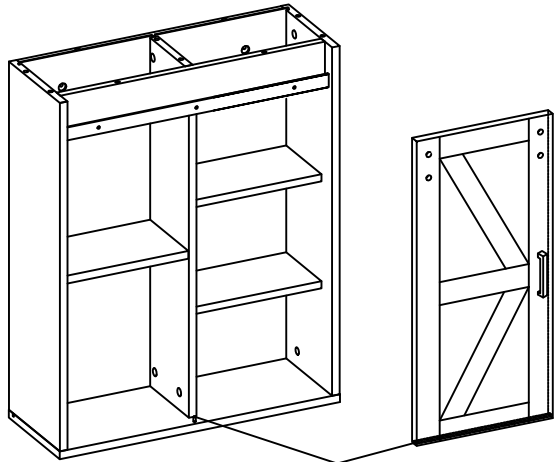
5		x1
8		x1

8

D		x3
F		x3
I		x1



9

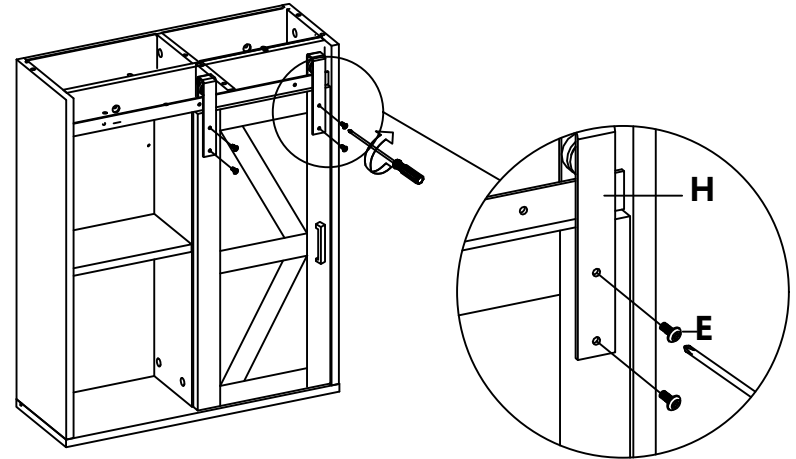
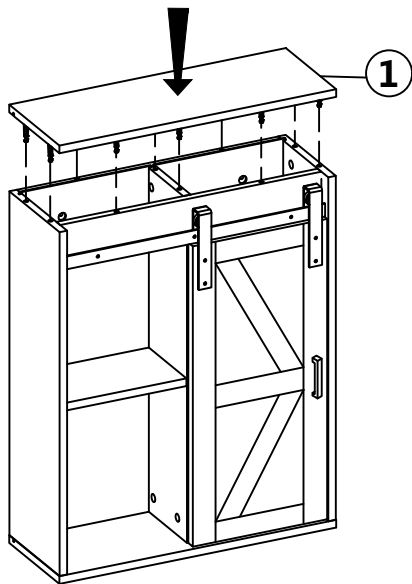
11		x1
D		x1

10

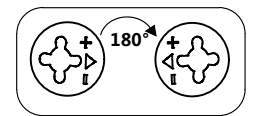
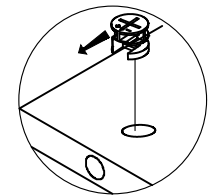
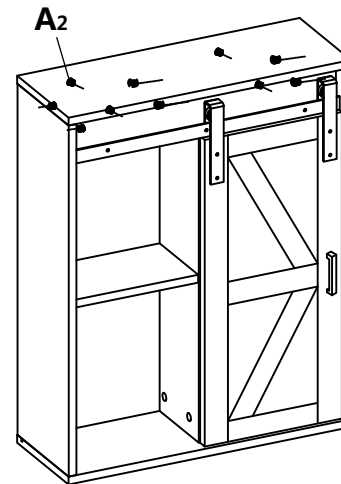
Insert B into the groove at
the bottom of the door panel

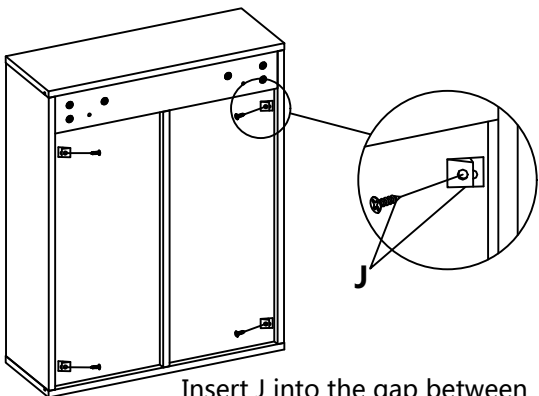
11

E		x4
H		x2

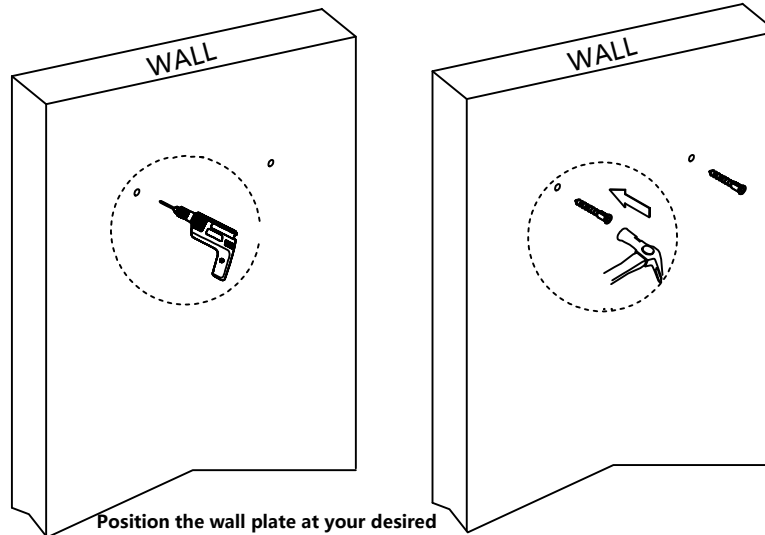
**12****13**

A2		x10
----	---	-----



14J  x4

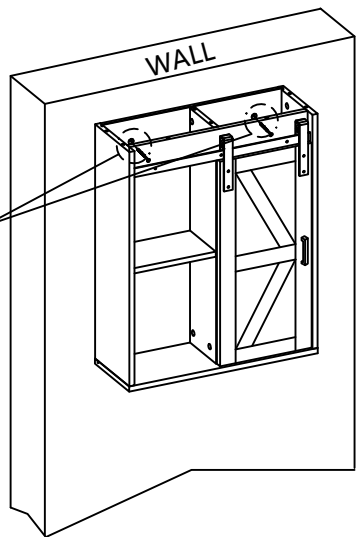
Insert J into the gap between the back panel and the side panel, and then lock with self-tapping screw

15C  x2

Position the wall plate at your desired height and ensure the wall plate is horizontal. Mark well and punch.

16C  x2

Make the screw through the hole on NO.2 NO.5 and NO.8, fix the cabinet to the wall

**17**