

# ASSEMBLY INSTRUCTION

## Bar Stool

DY-WH9040-1



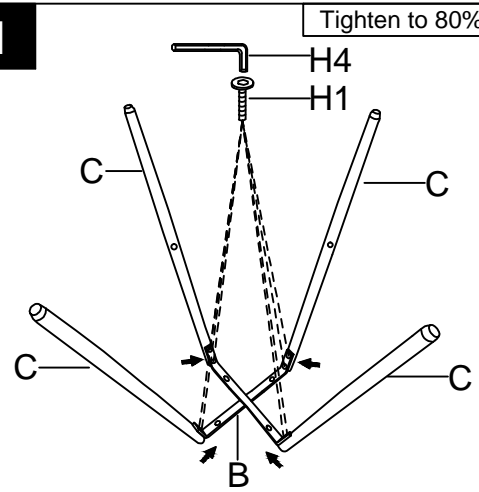
### Component List

LABEL	IMAGE	DESCRIPTION	QTY
A		Chair Seat	1
B		Cross Frame	1
C		Leg	4
D		Leg Ring	1

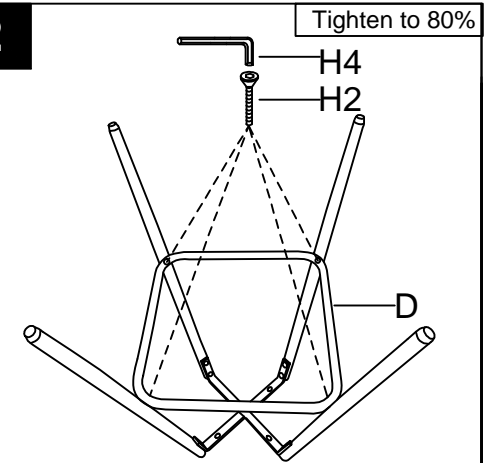
### Hardware List

H1		Bolt	8
H2		Bolt	4
H3		Bolt	4
H4		Allen Key	1

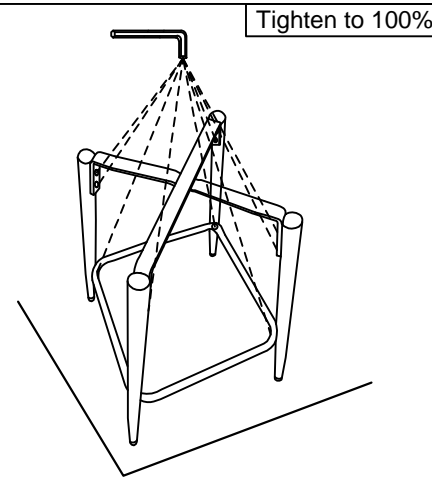
1



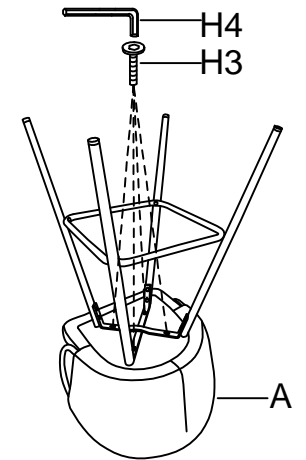
2



3



4



5

