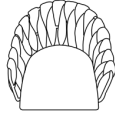

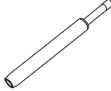



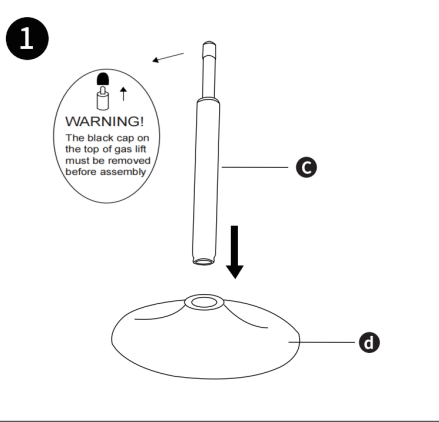
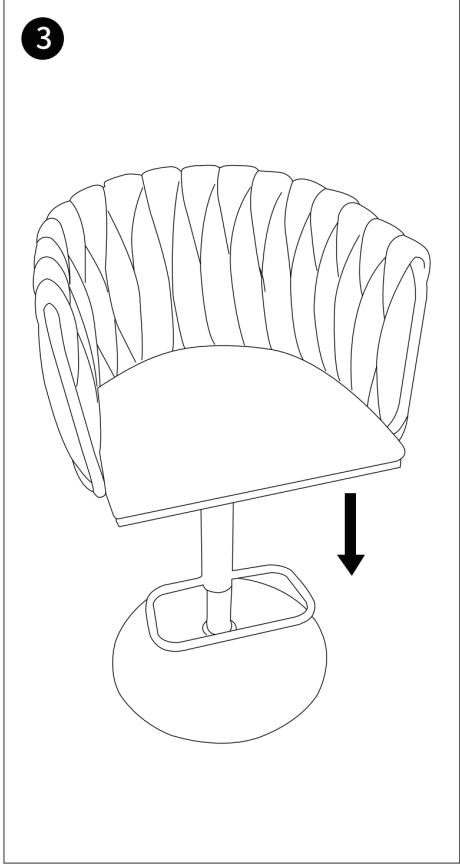


INSTALLATION STEP DIAGRAM

PARTES					
a A*1	b B*1	c C*1	d D*1	e E*4	f F*1
				 M6X16mm	

INSTRUCCIONES	
1  <p>WARNING! The black cap on the top of gas lift must be removed before assembly.</p>	3 
2 