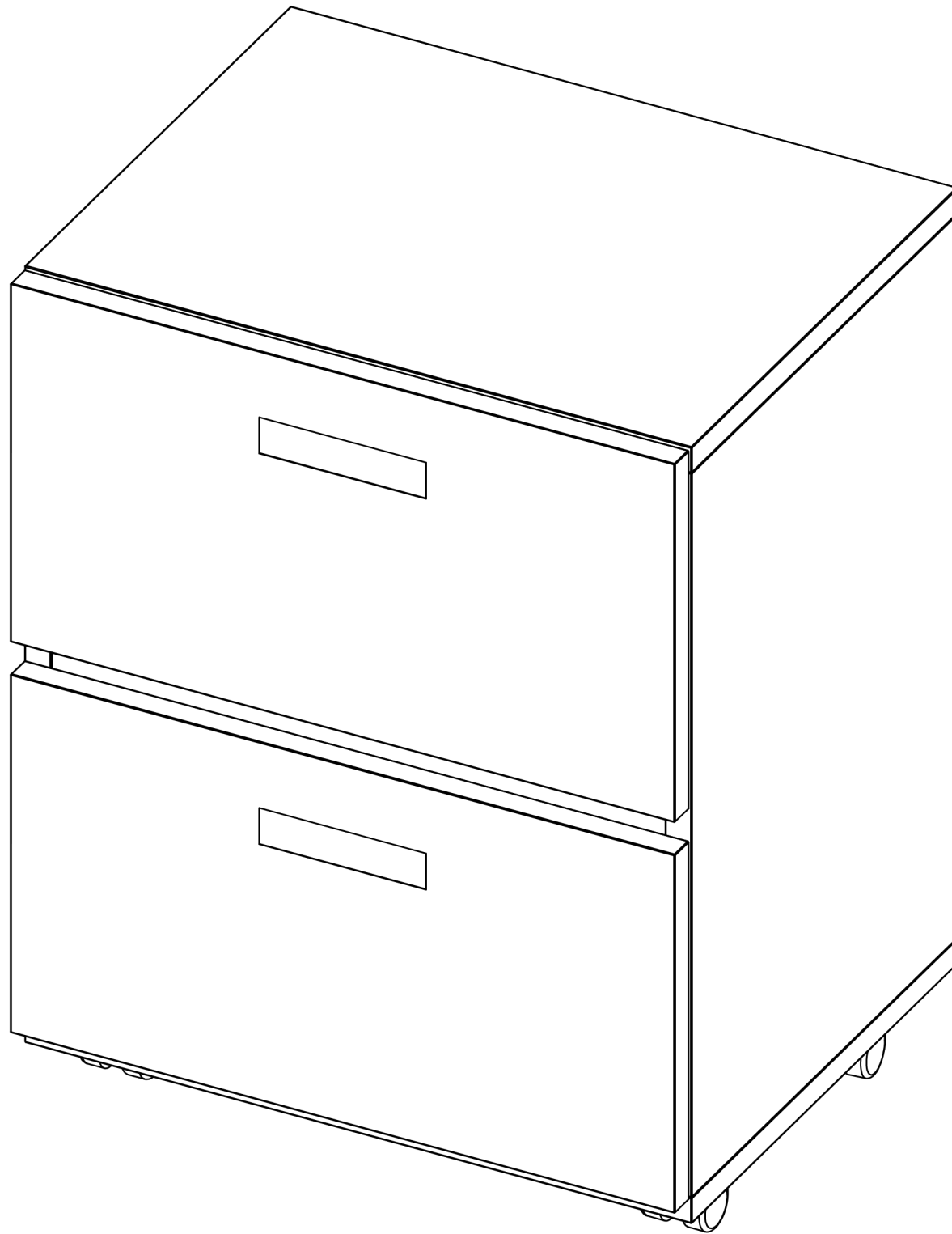
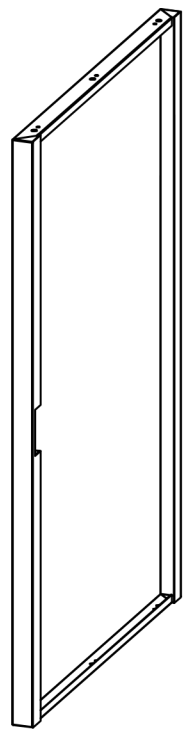


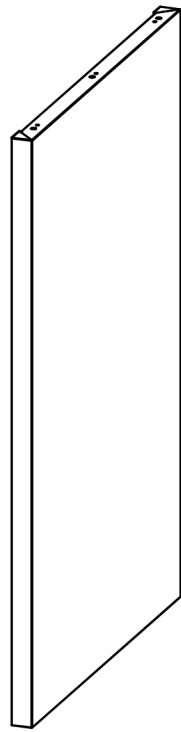
# VERTICAL FILE CABINET ASSEMBLY INSTRUCTIONS



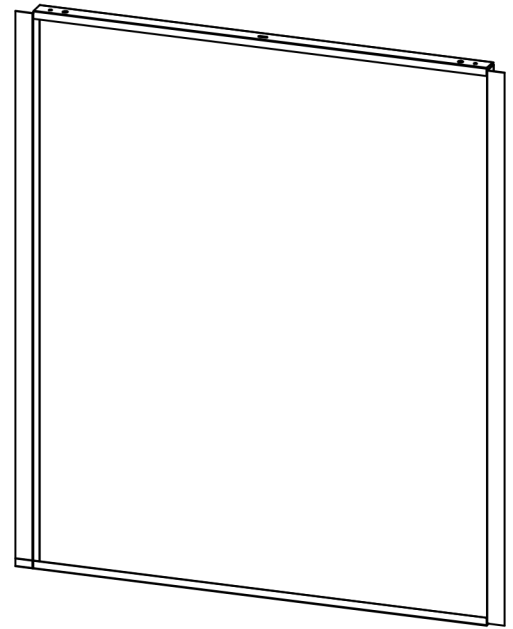
**Please scan the QR code to  
check the assemble video**



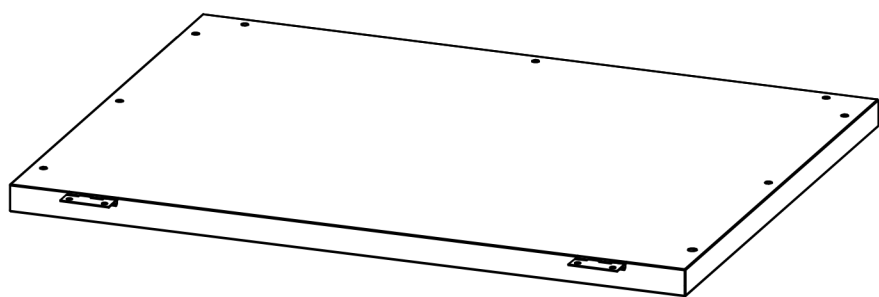
A:Left Panel



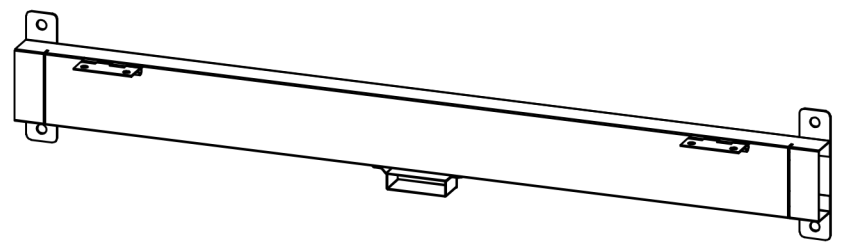
B:Right Panel



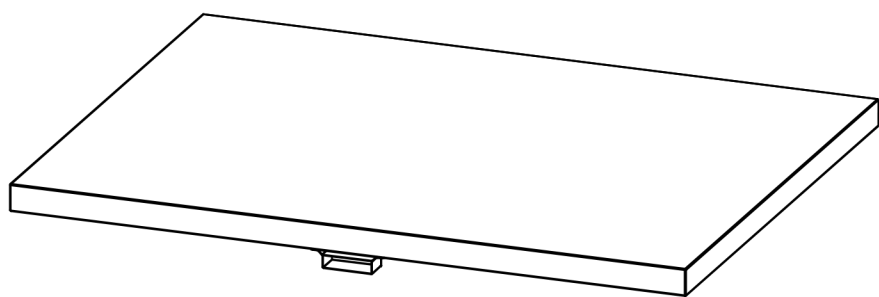
D:Backboard



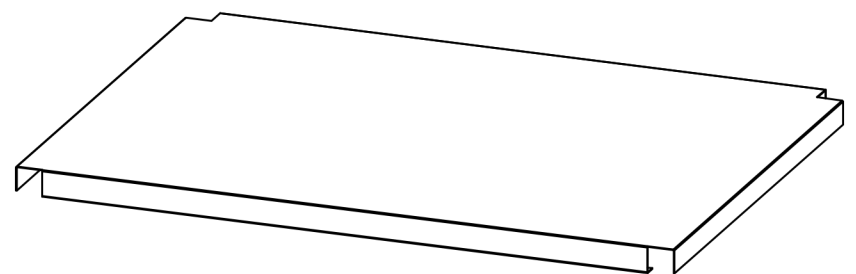
C:Shelve



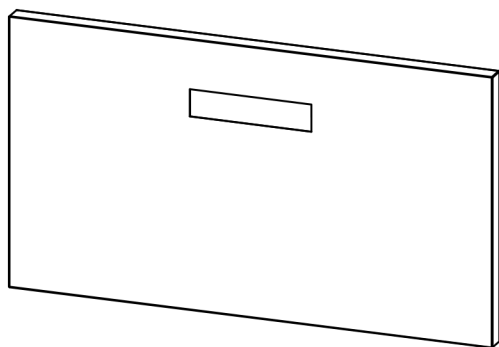
E:Support Frame



F:Top Panel



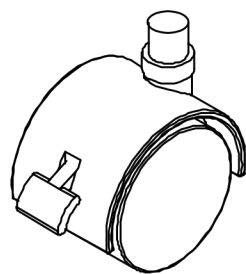
G:Bottom Panel



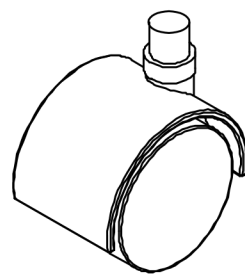
H:Panel



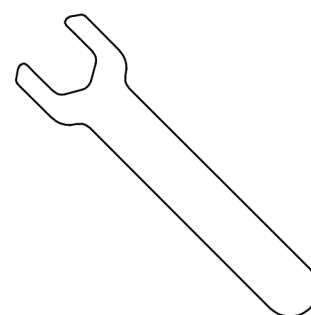
Screw \*30



Front Wheel  
\*2



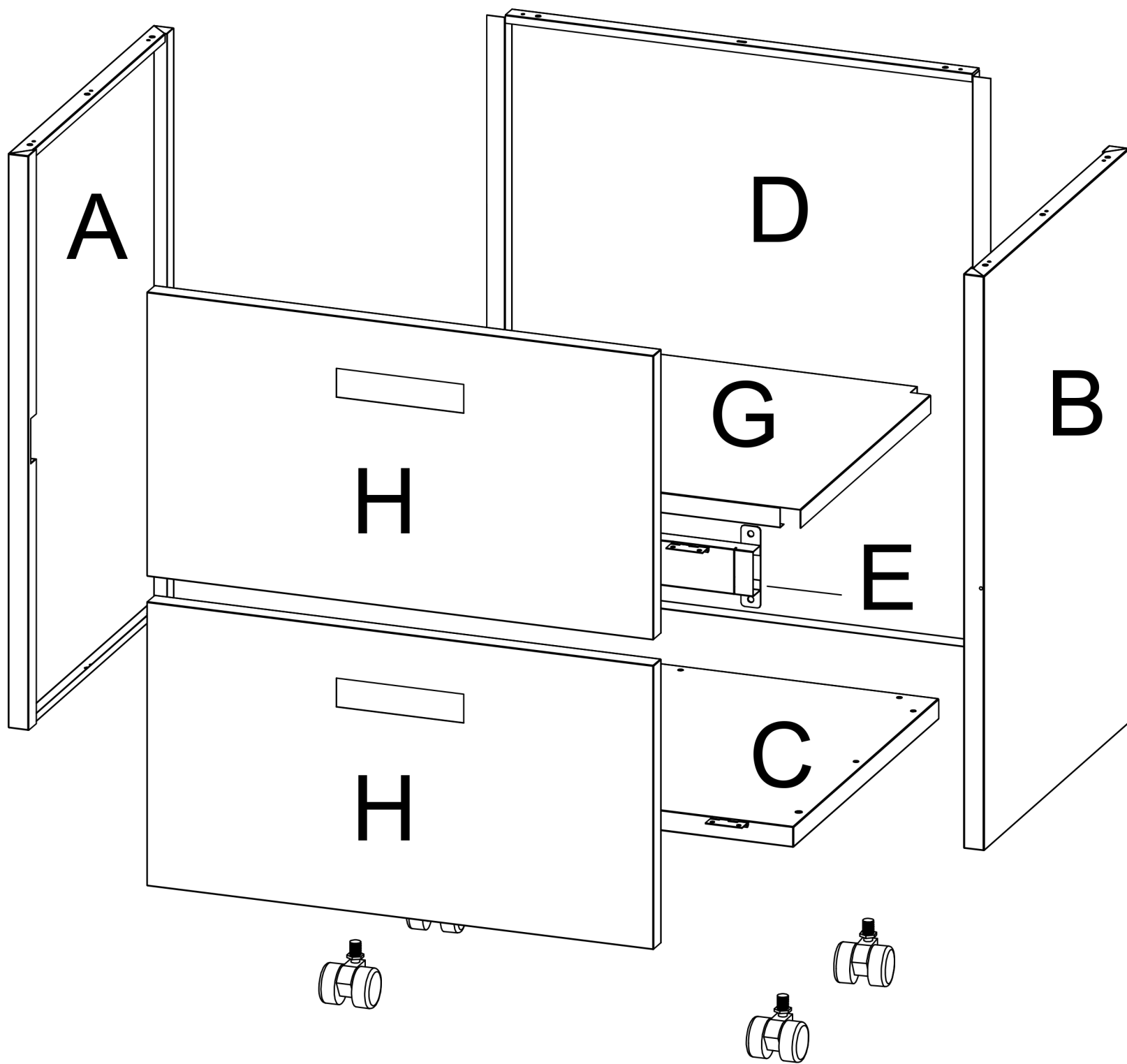
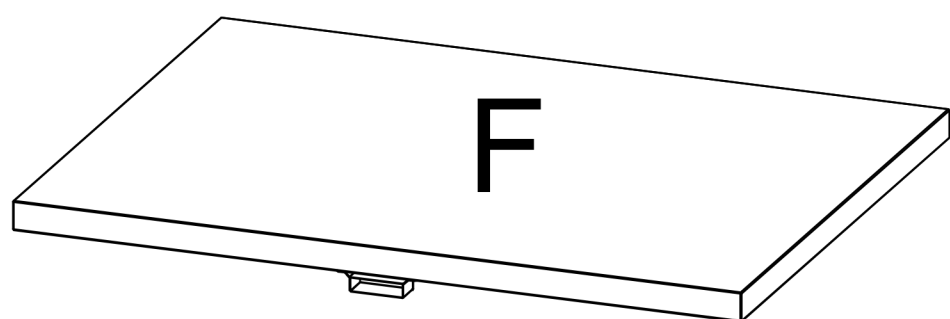
Rear Wheel  
\*2

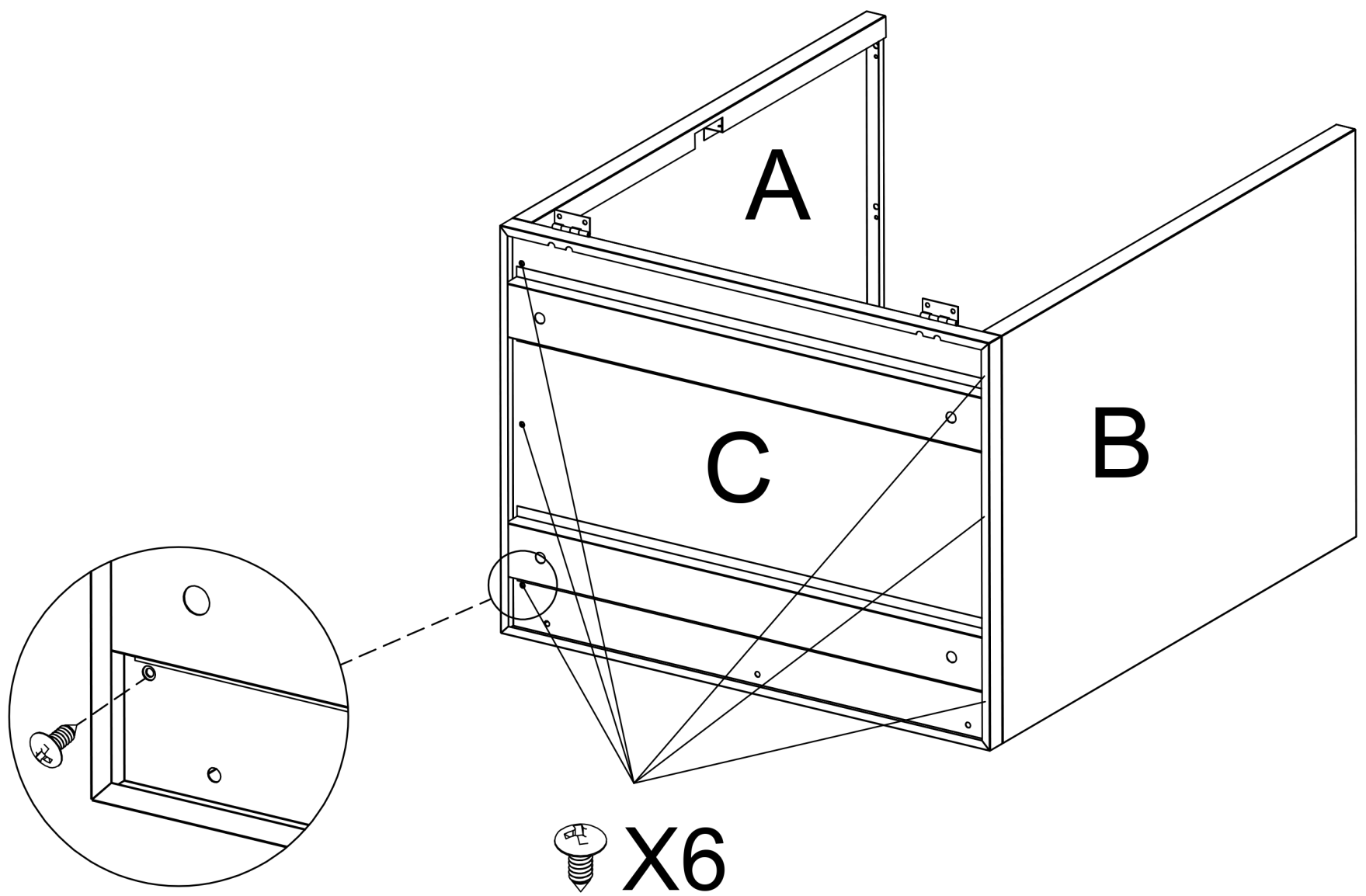


Spanner \*1

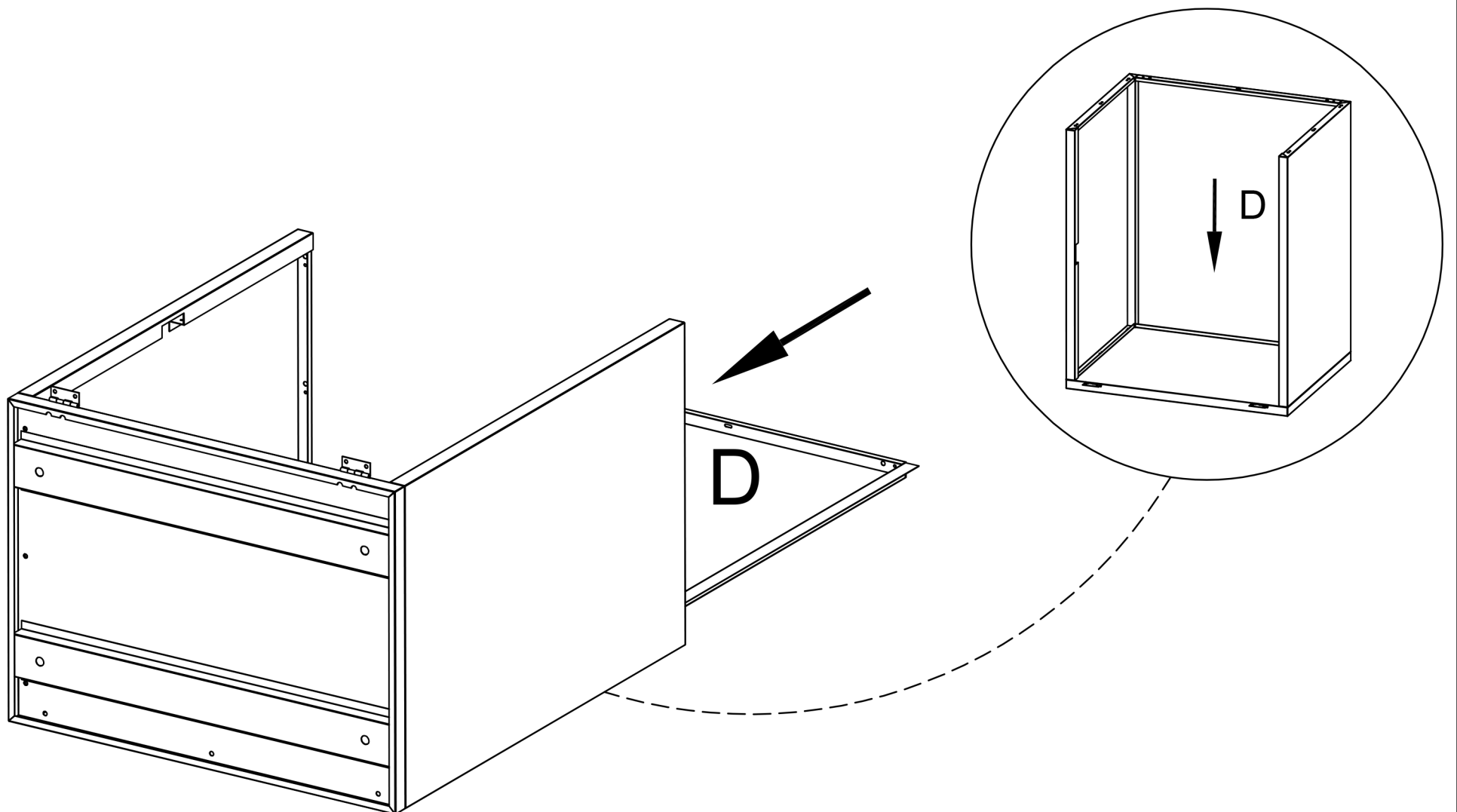


Metal gasket  
\*4

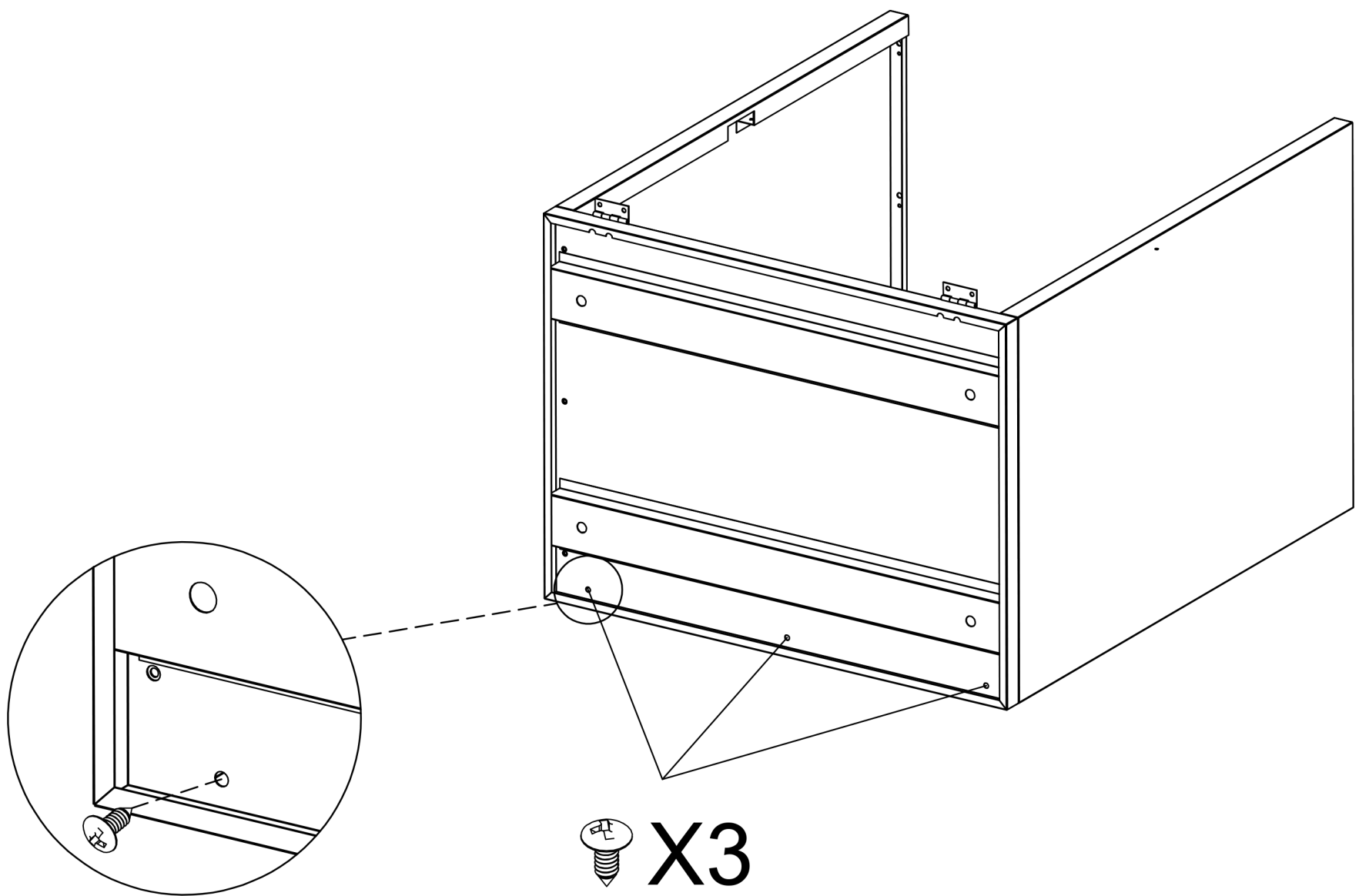




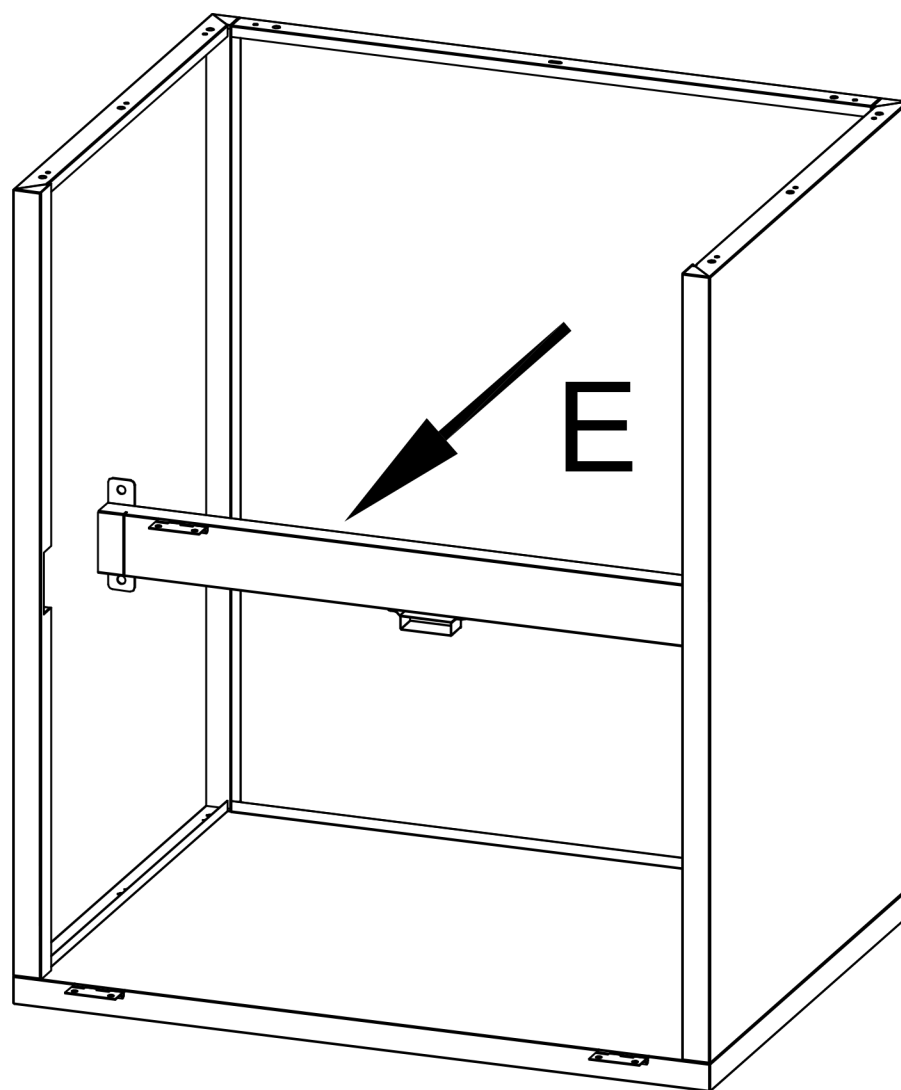
1.Assemble A、 B and C, Fix with screw



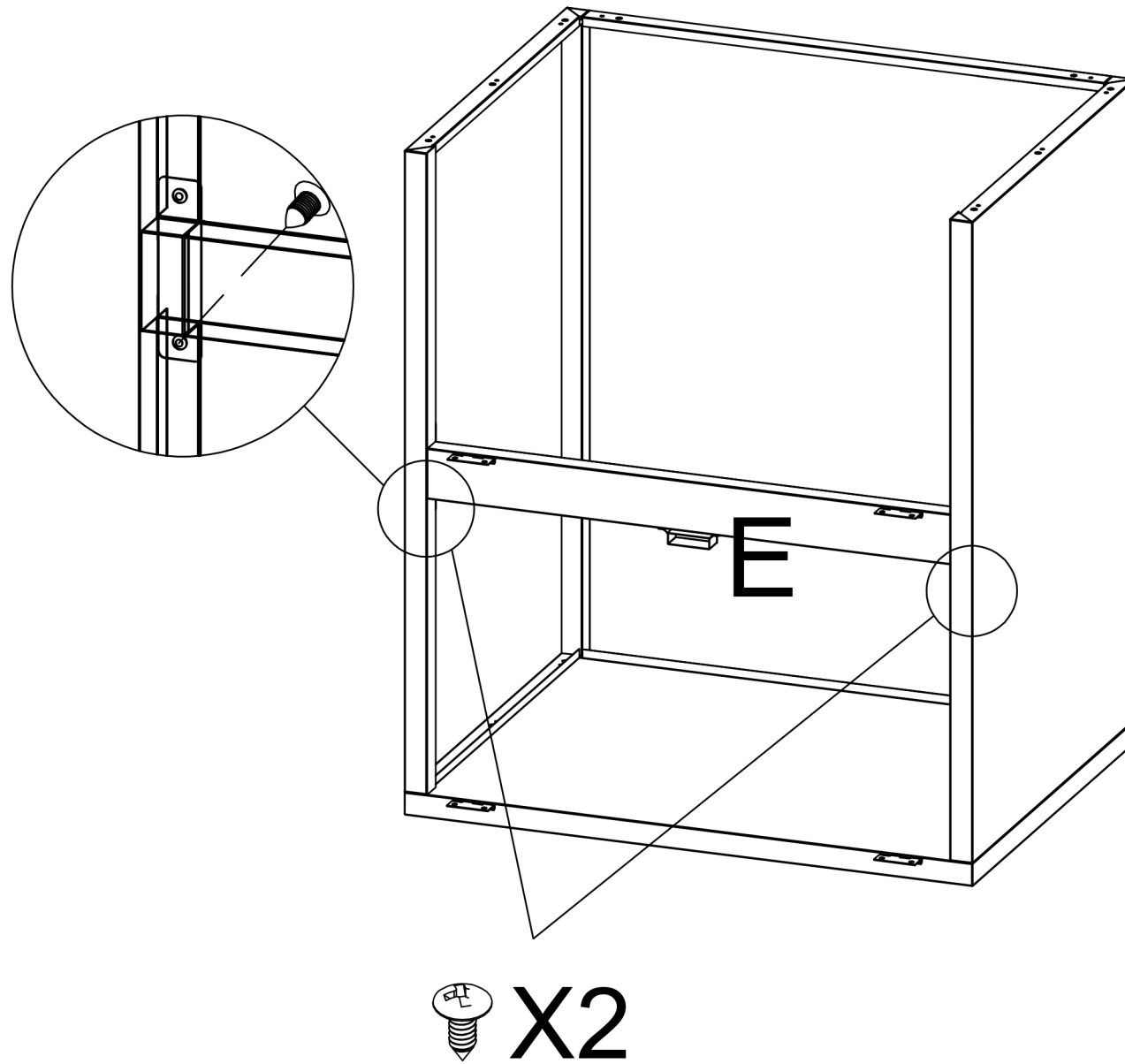
2.Install D



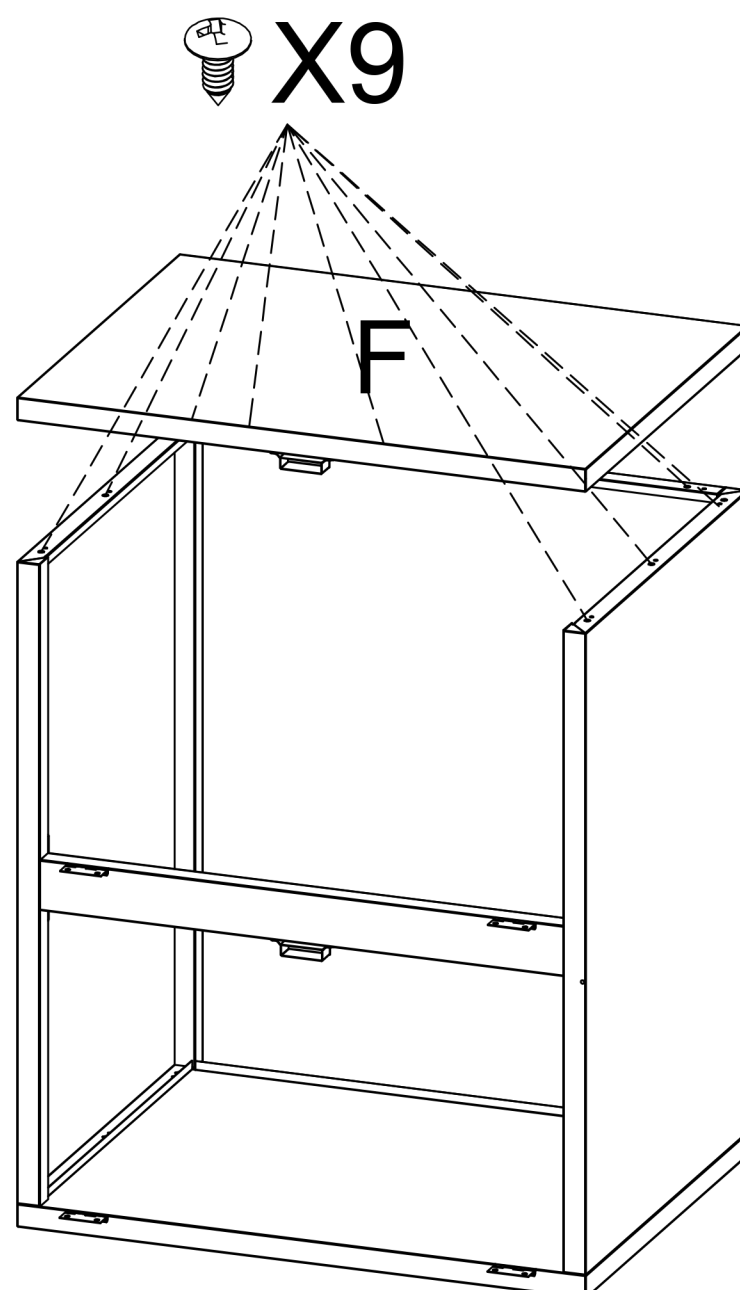
3. Fix with screw



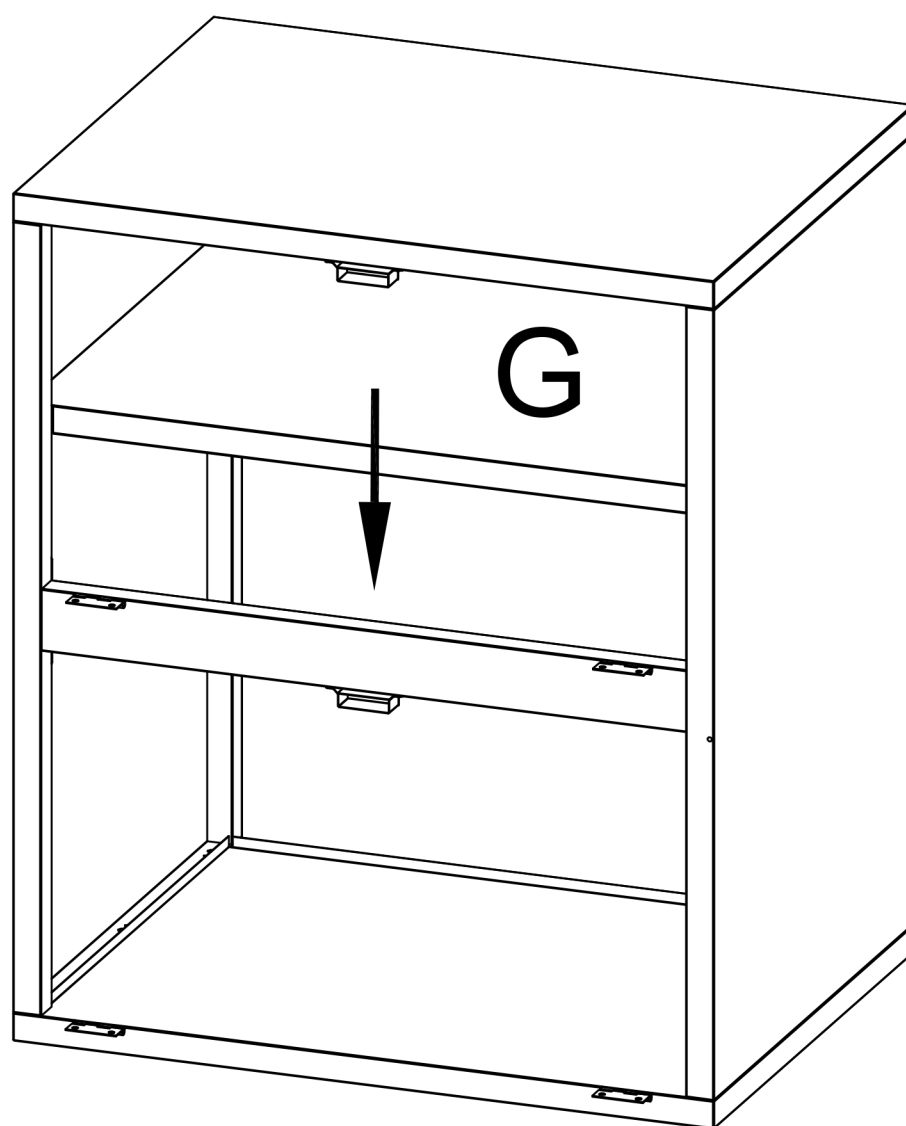
4. Install E



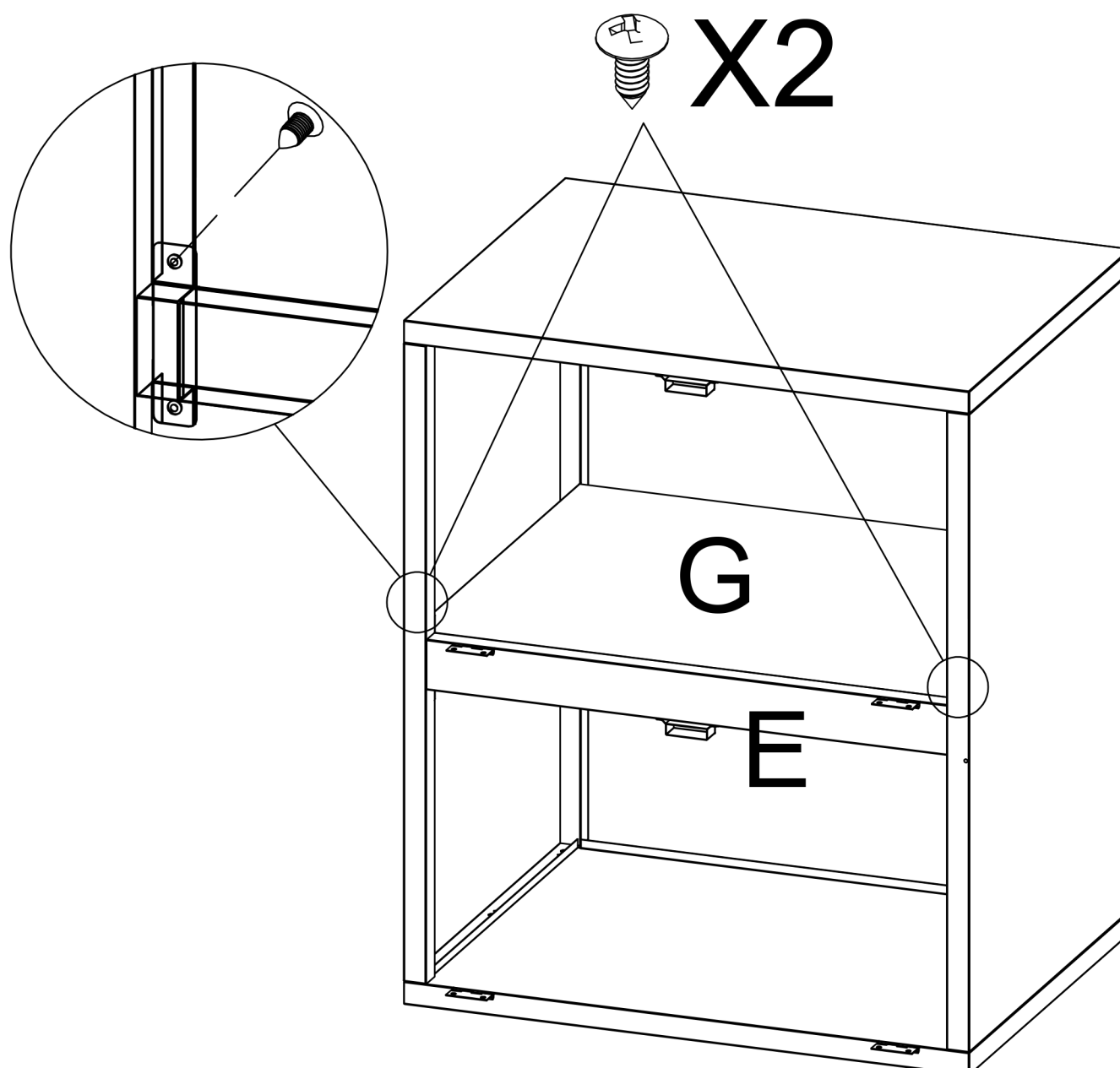
5.Screws secure the lower part of E



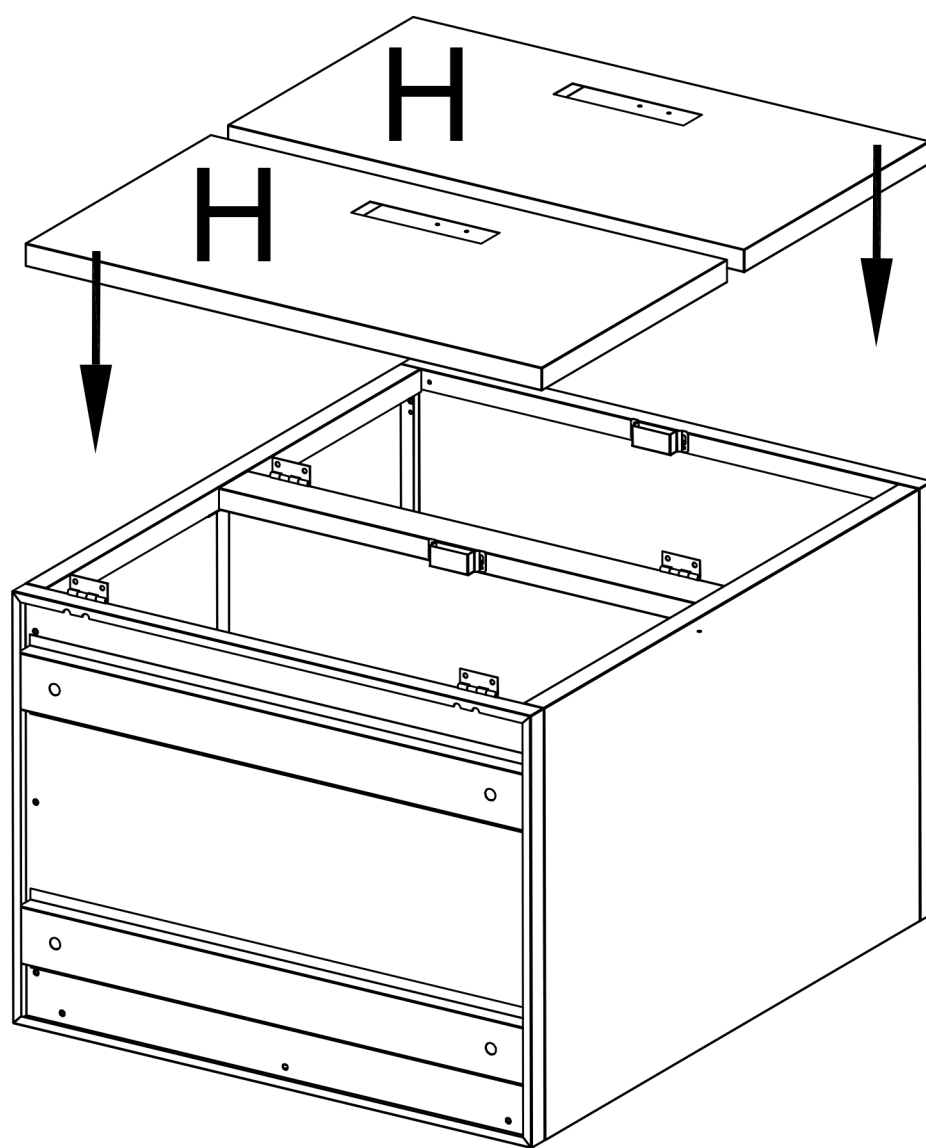
6.Install F, Fix with screw



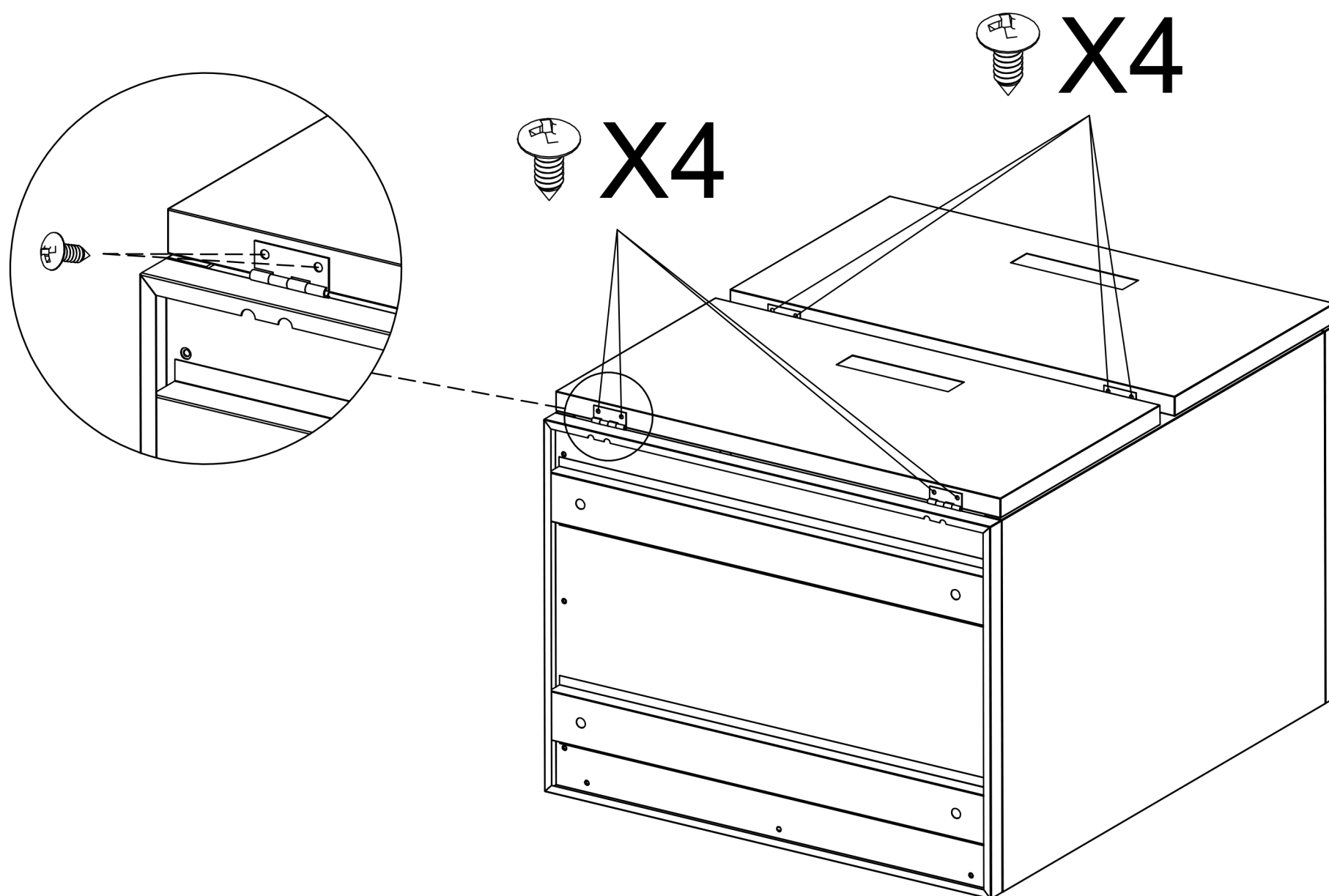
7. Install G



8. Screws secure the upper part of E

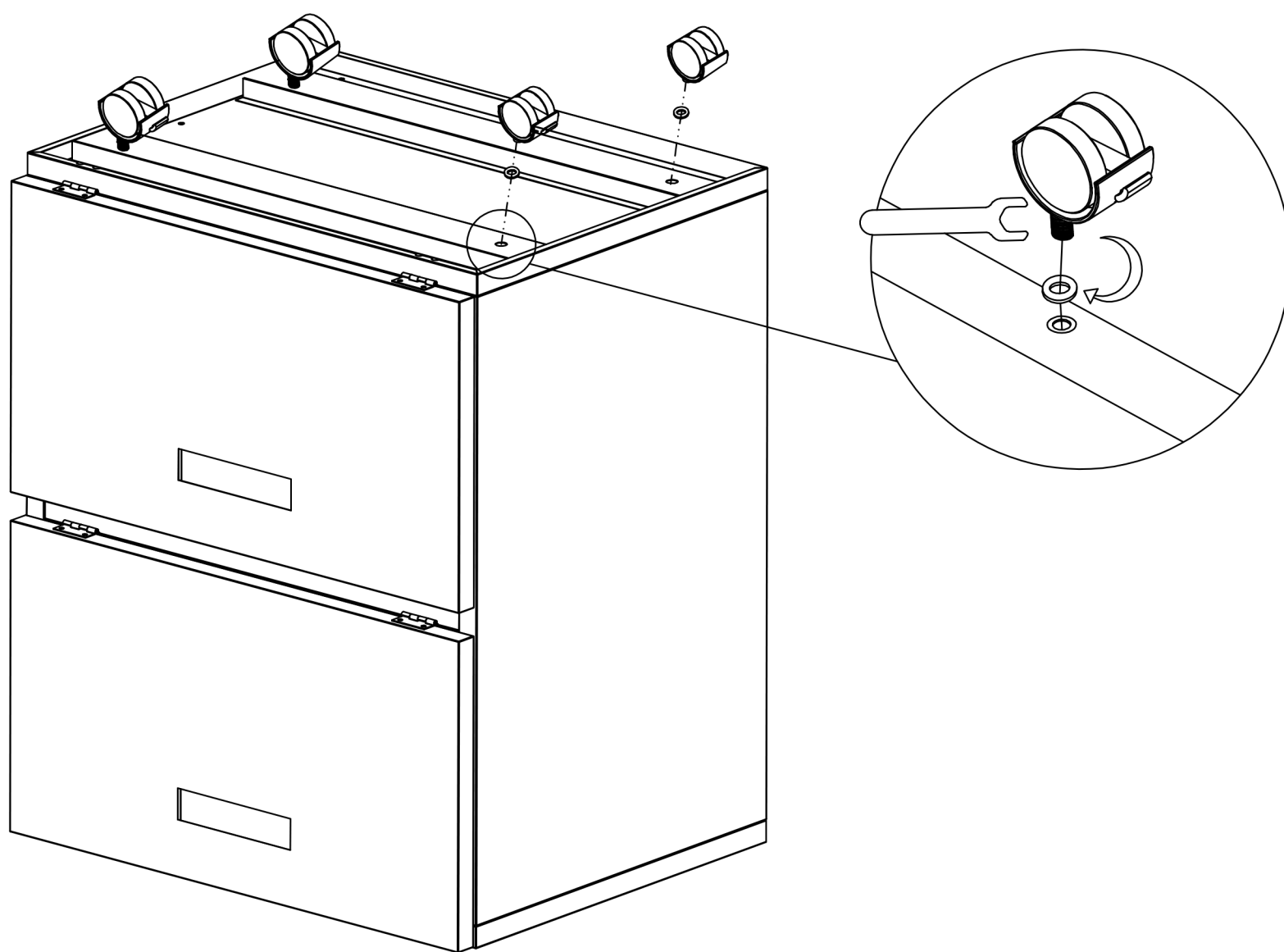


9. Install H

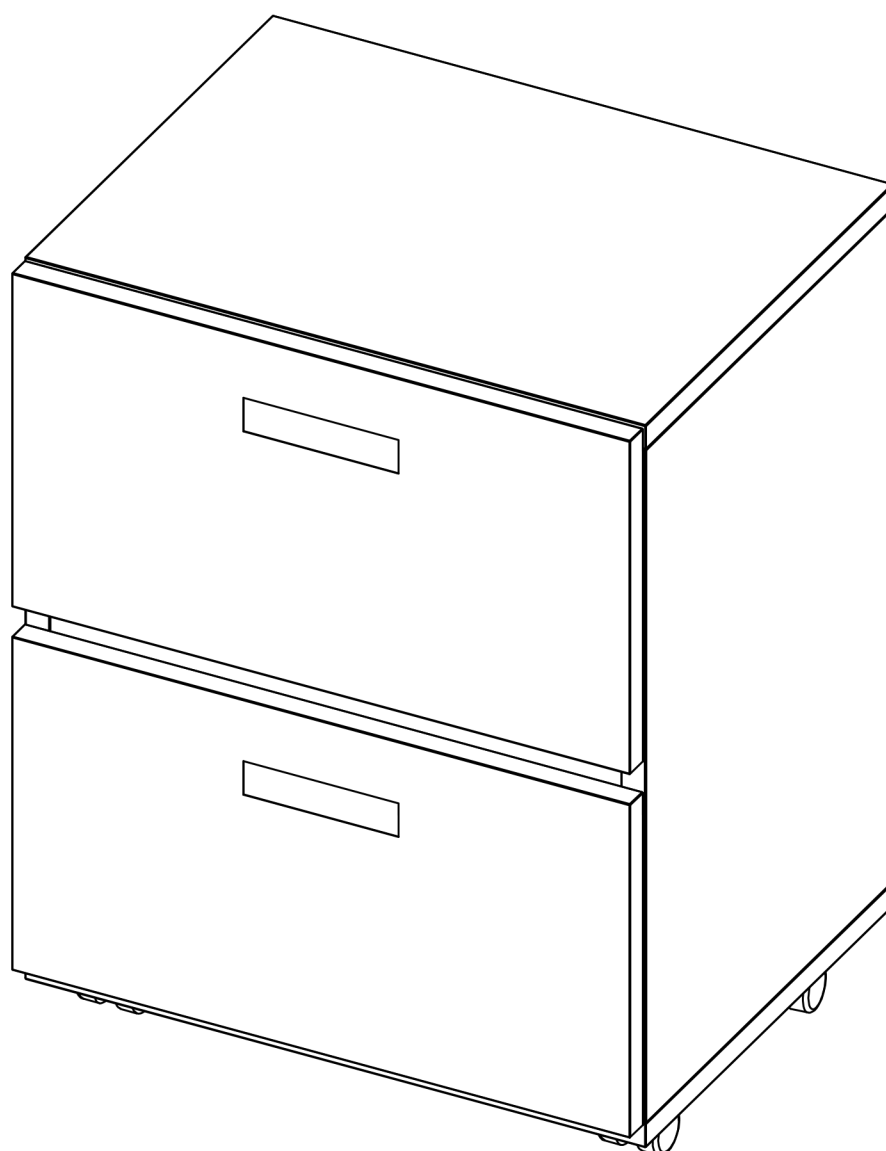


10. Fix with screw





11. Install front and rear wheels



12. Complete Installation