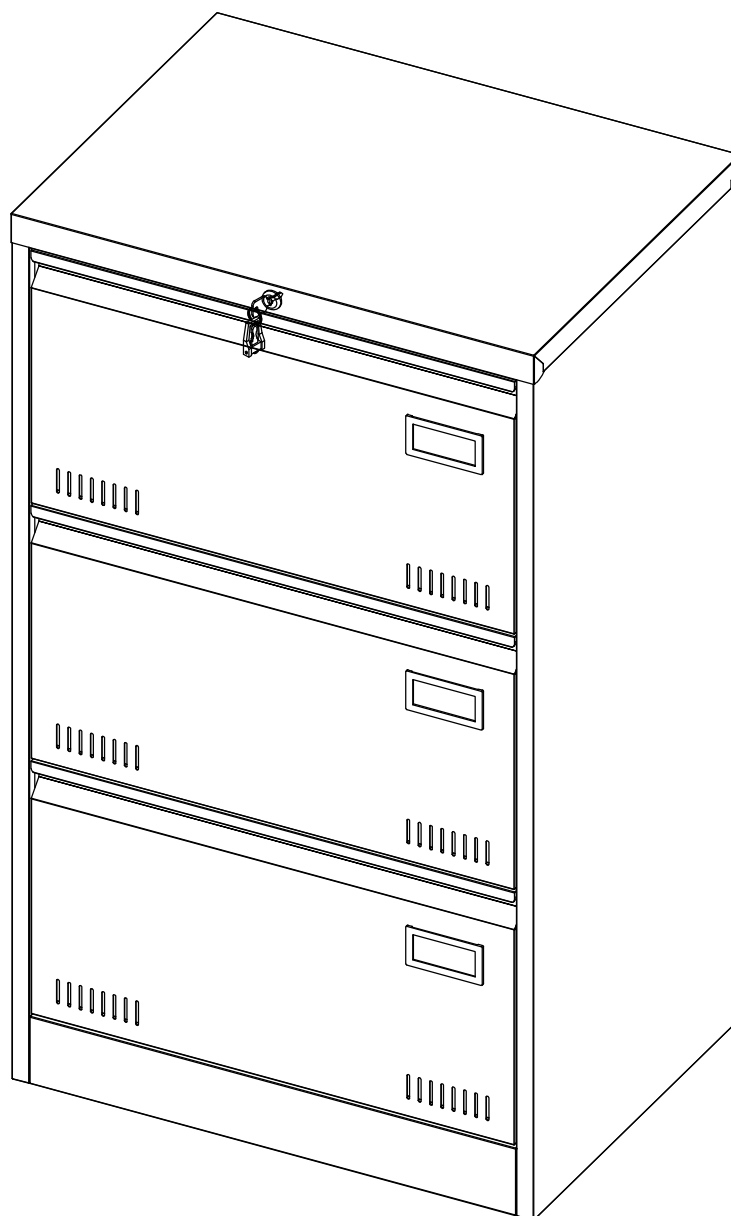


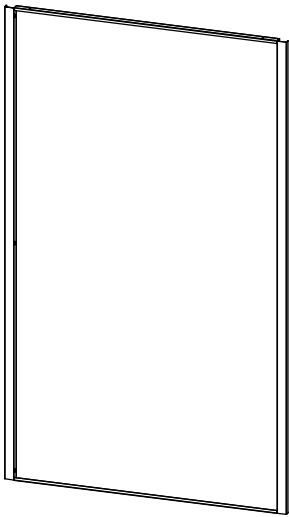
## VERTICAL FILE CABINET ASSEMBLY INSTRUCTIONS



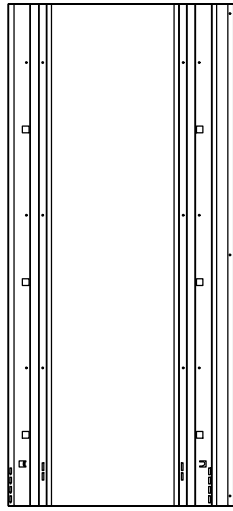
NOTE: PLEASE AN ASSISTANT IS REQUIRED ES  
NECESARIO UN AYUDANTE UN ASSISTANT  
ESTNECESSAIRE.



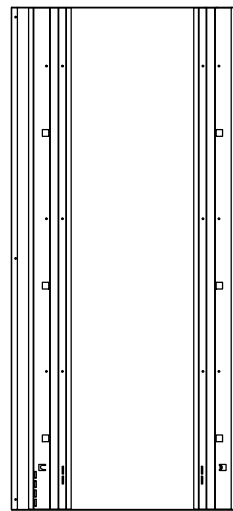
Please scan the QR code to  
check the assemble video



A:Backboard



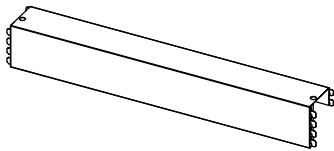
B:Left side



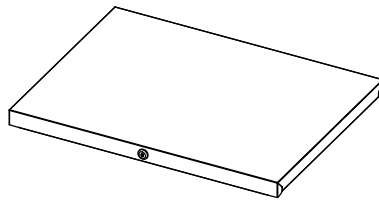
C:Right side



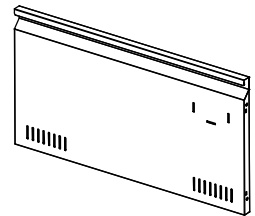
I:lock rod \*2



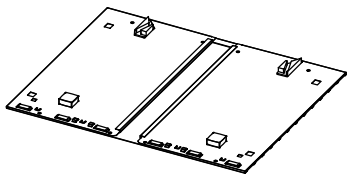
D:Bottom rail



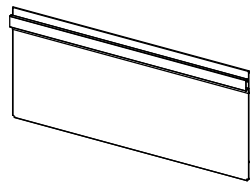
E:Top plate



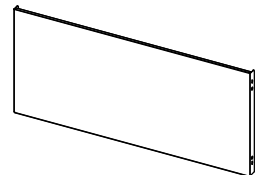
F:Drawer panel \*3



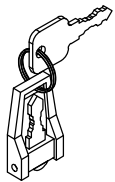
G:Drawer body \*3



H:Drawer damper \*3



J:Drawer Inside panel \*3

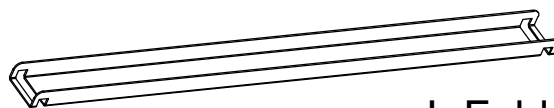
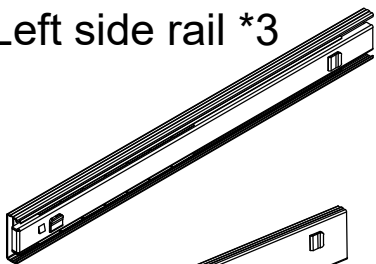


P:Key



K:pull rod \*2

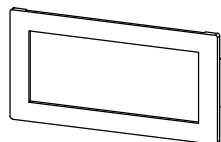
M:Left side rail \*3



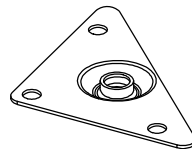
L:Folder adjusting lever \*3



N:Right side rail \*3



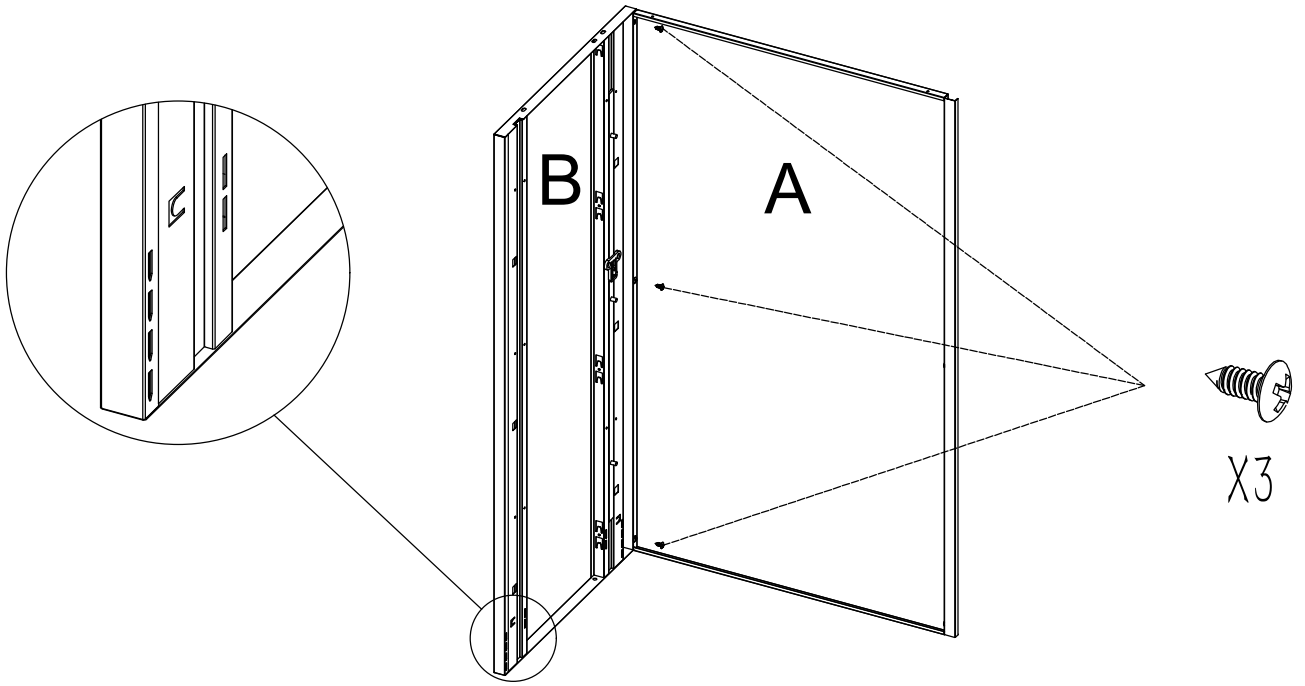
X:Label frame \*3



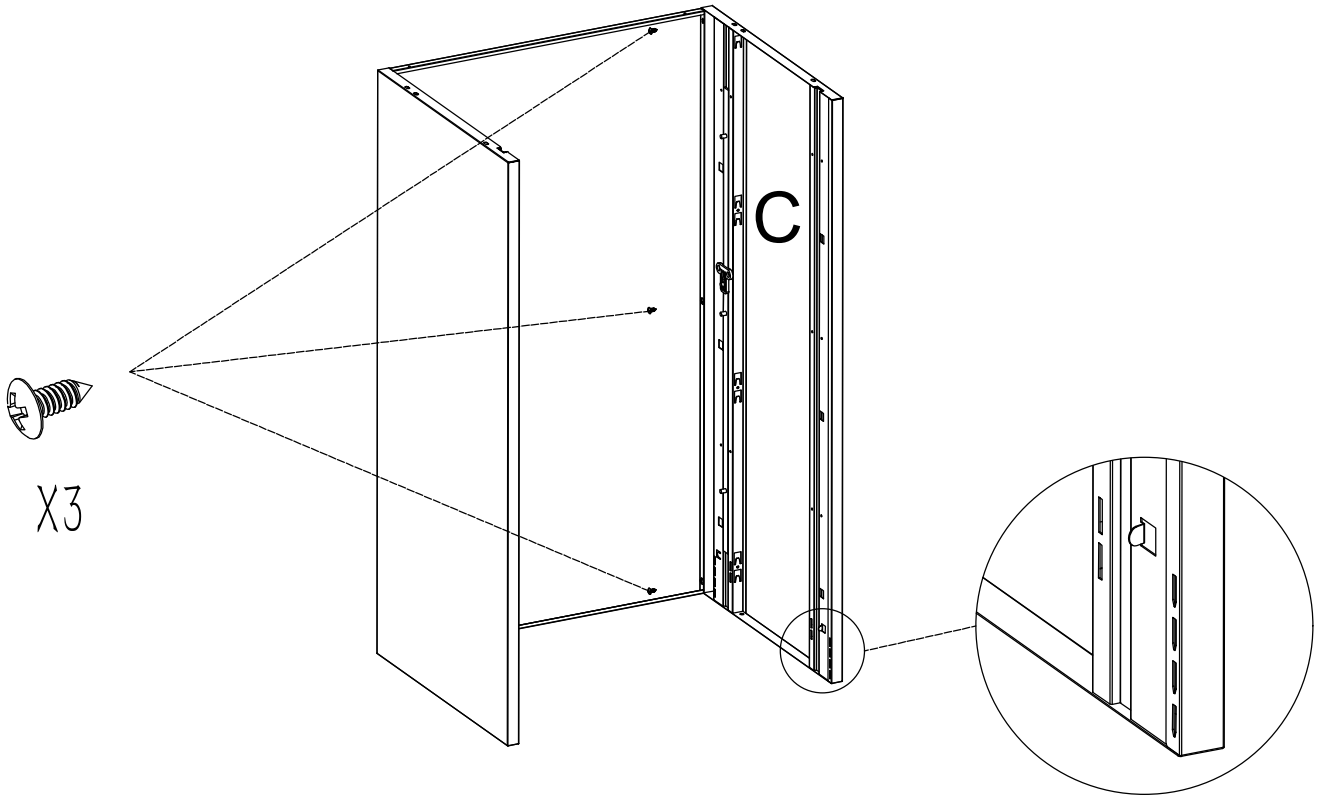
Y:Triangular fixing board \*4



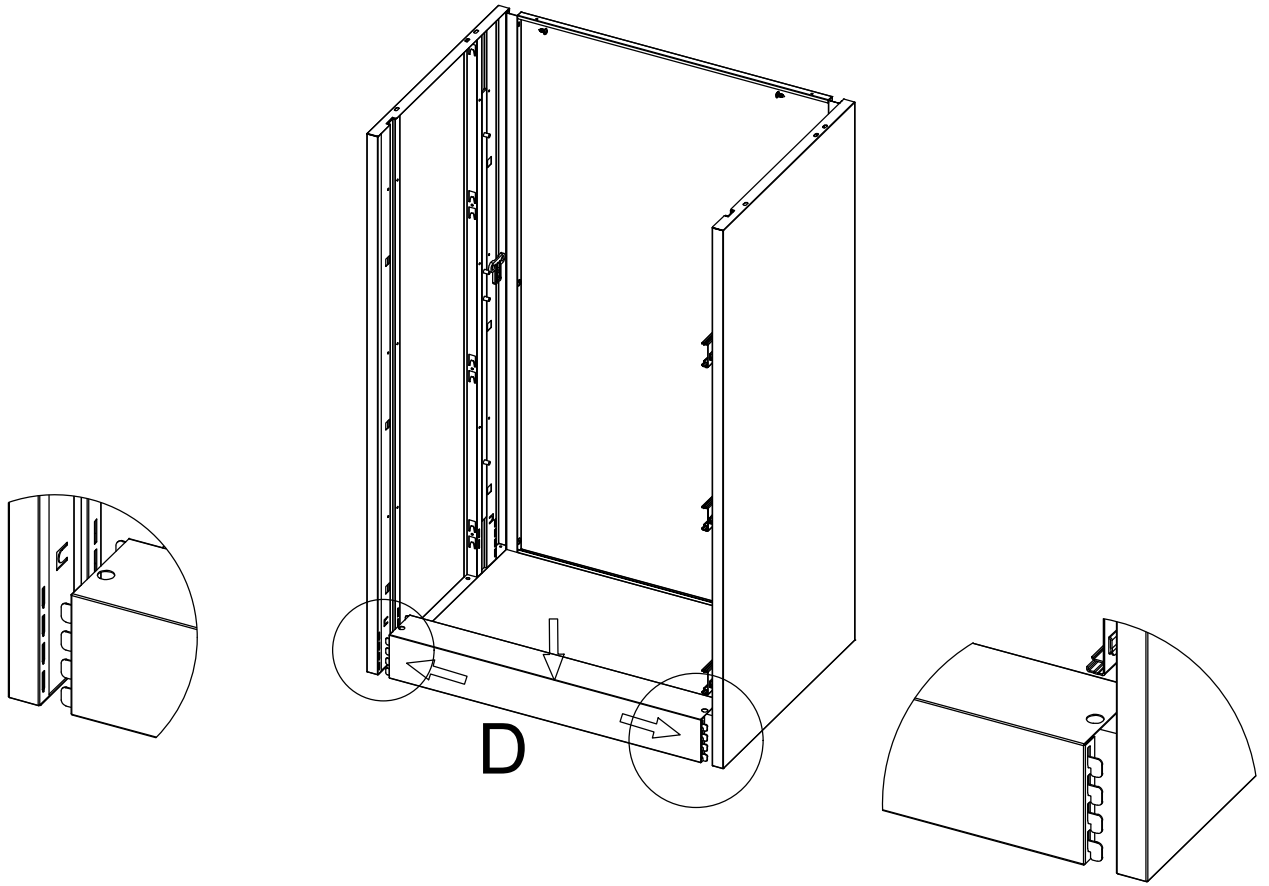
Z:Self-tapping yarn \*22



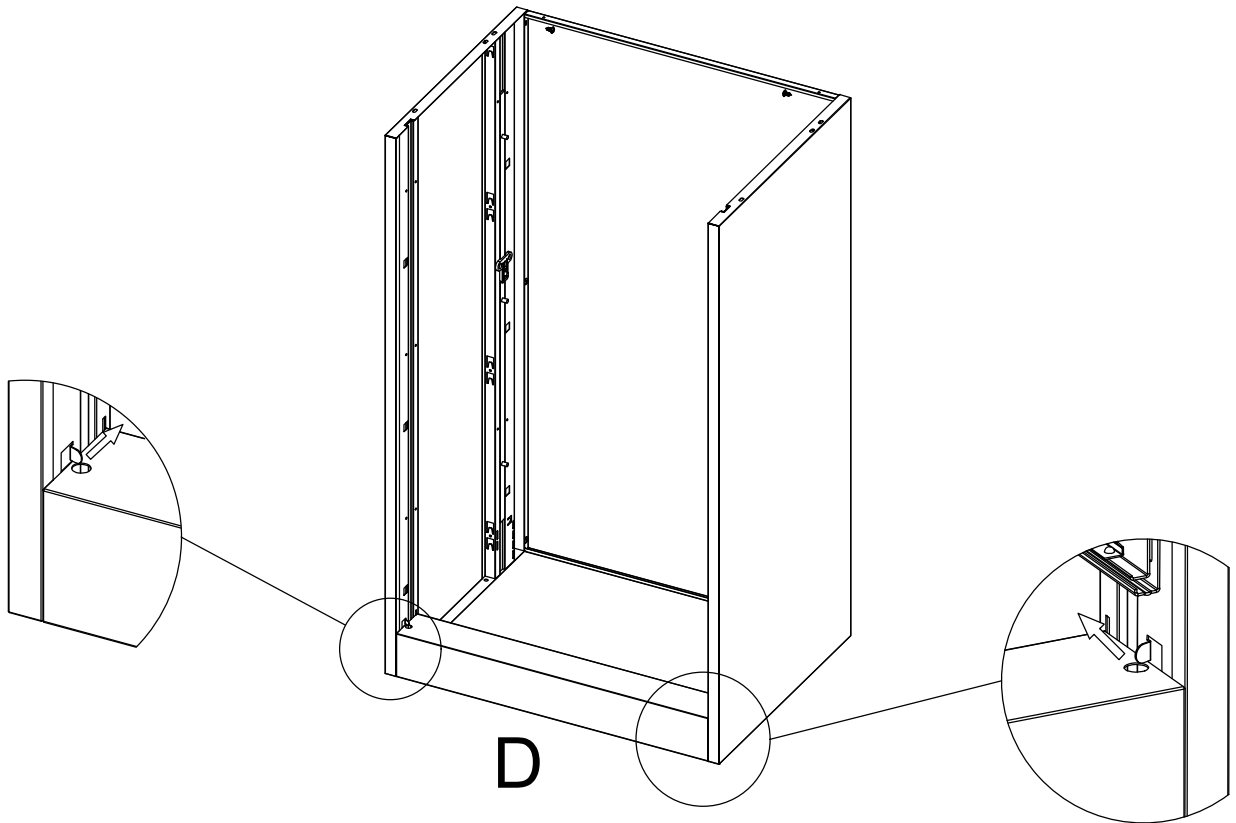
1. Install A and B



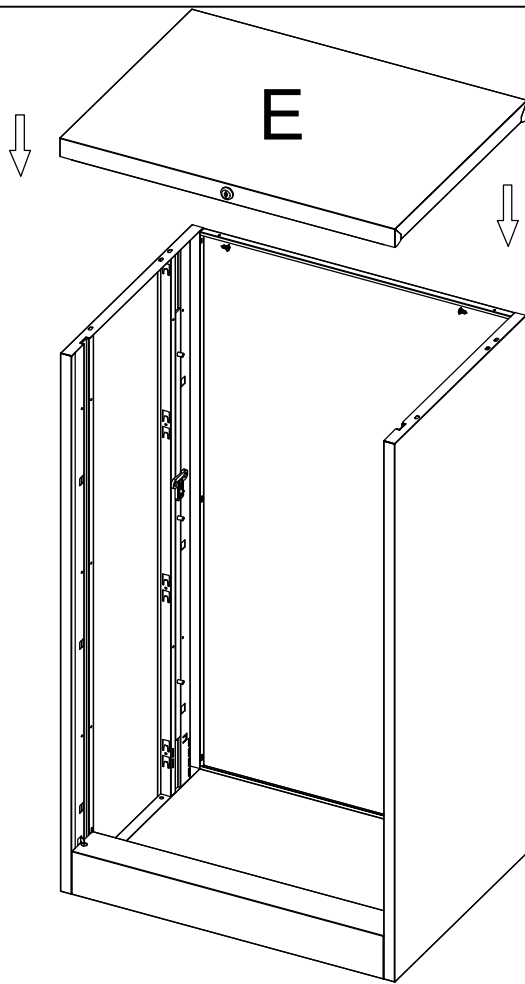
2. Install A and C



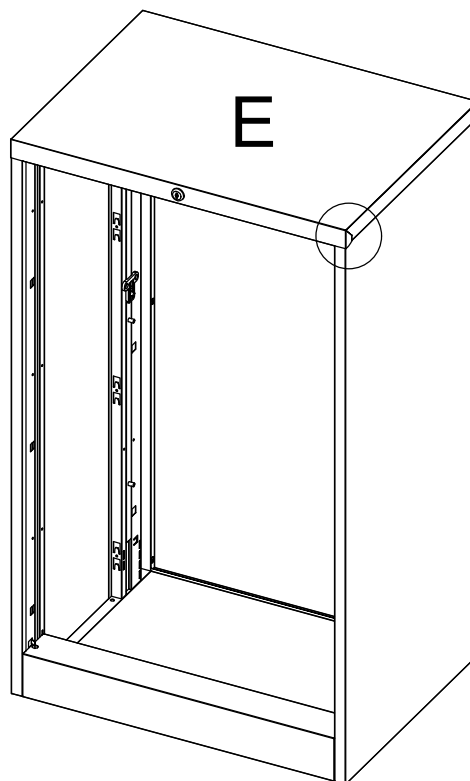
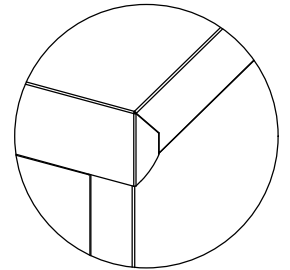
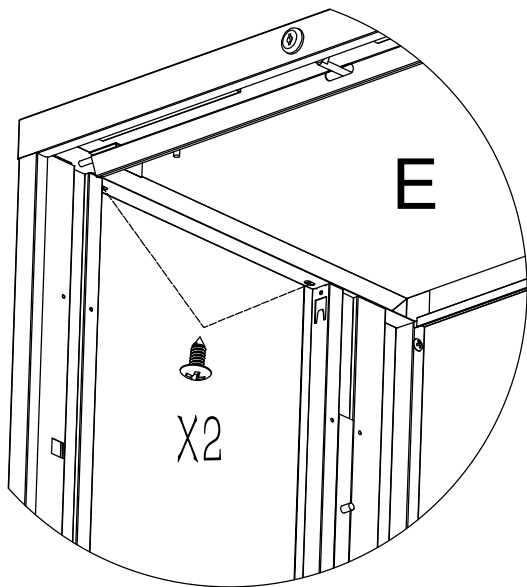
3.Install D



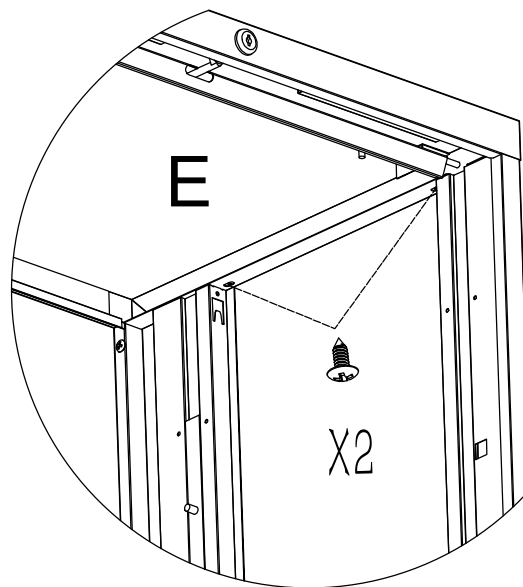
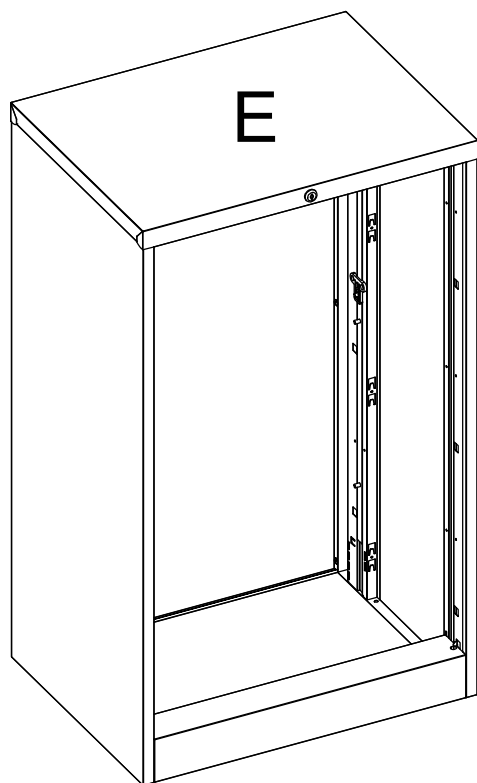
4.Open baffle



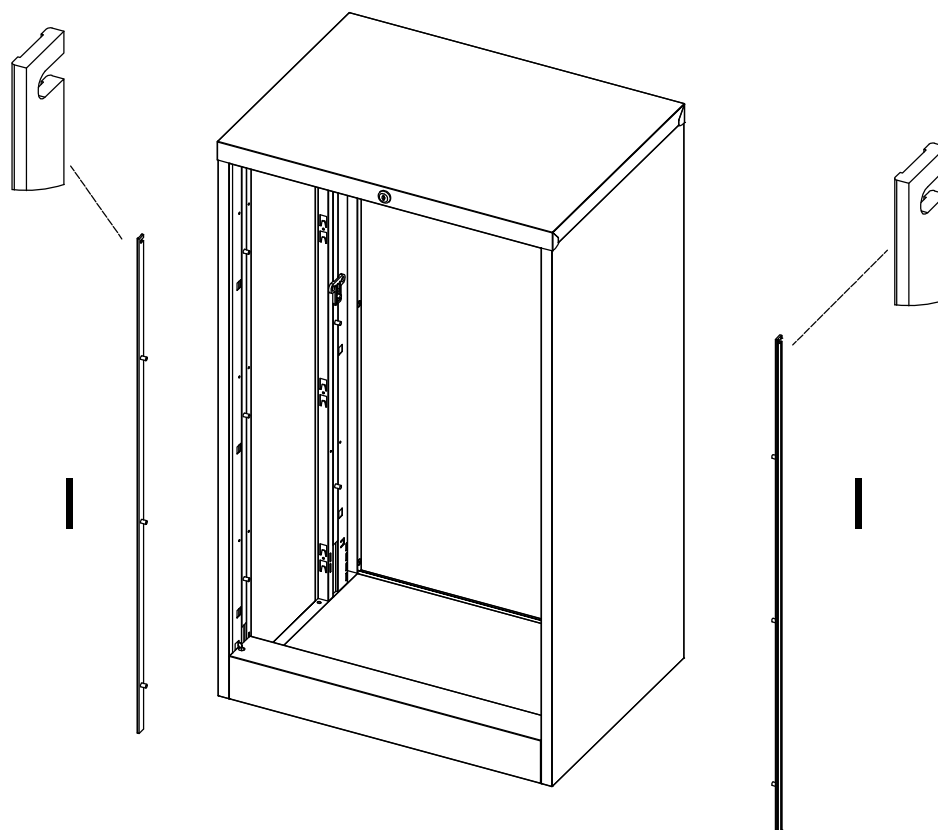
5.Install E



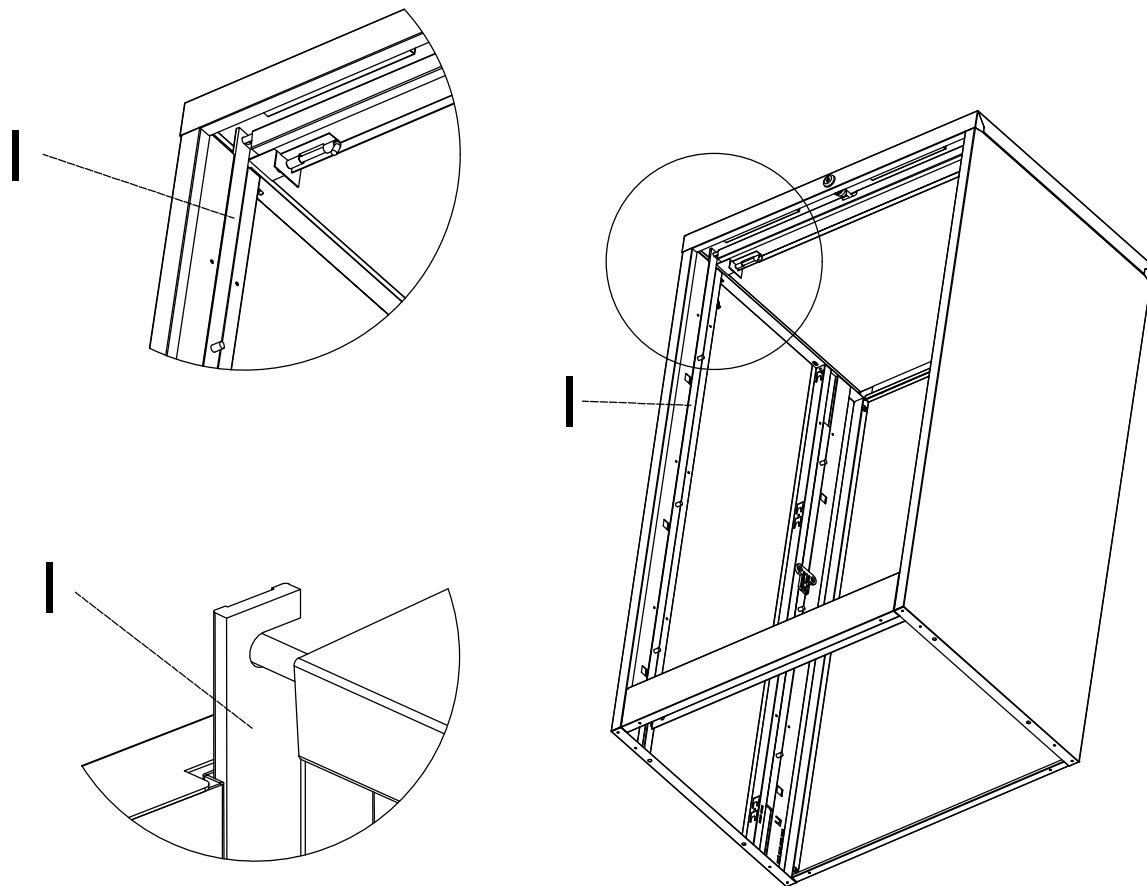
6.Fix with screw



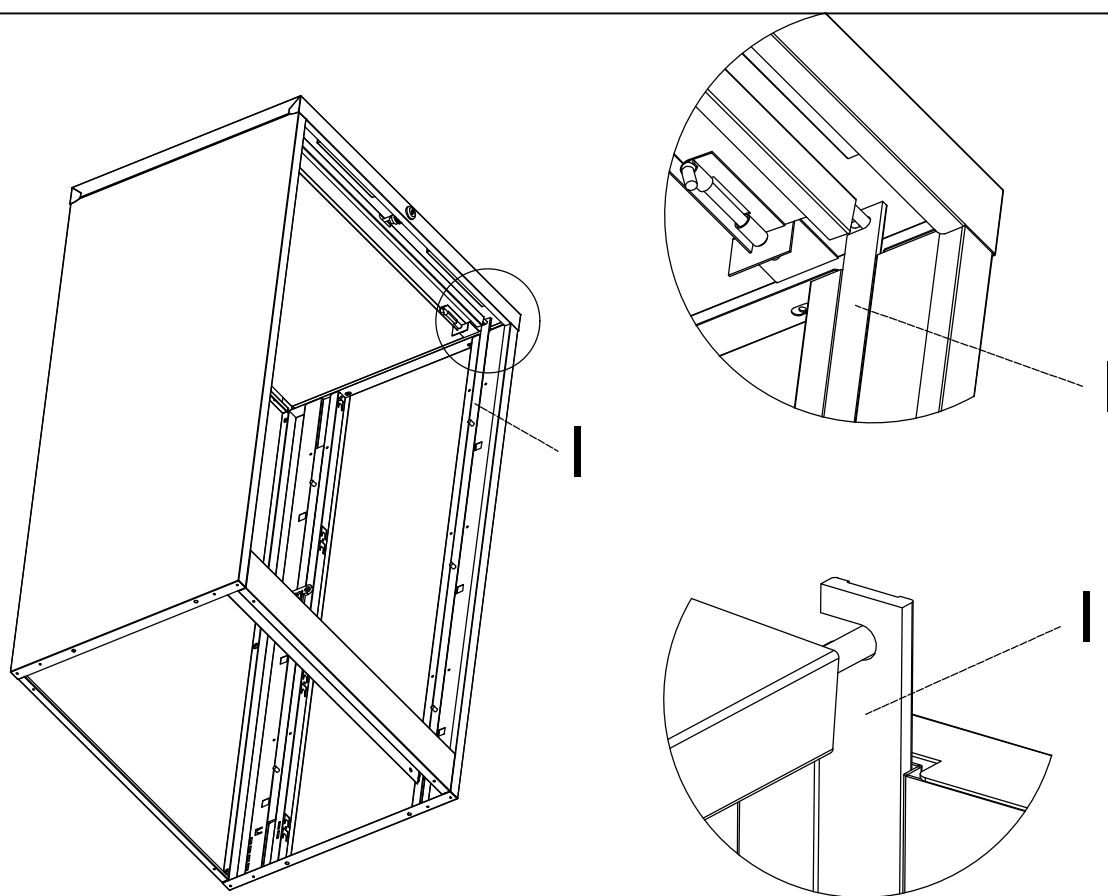
7. Fix with screw



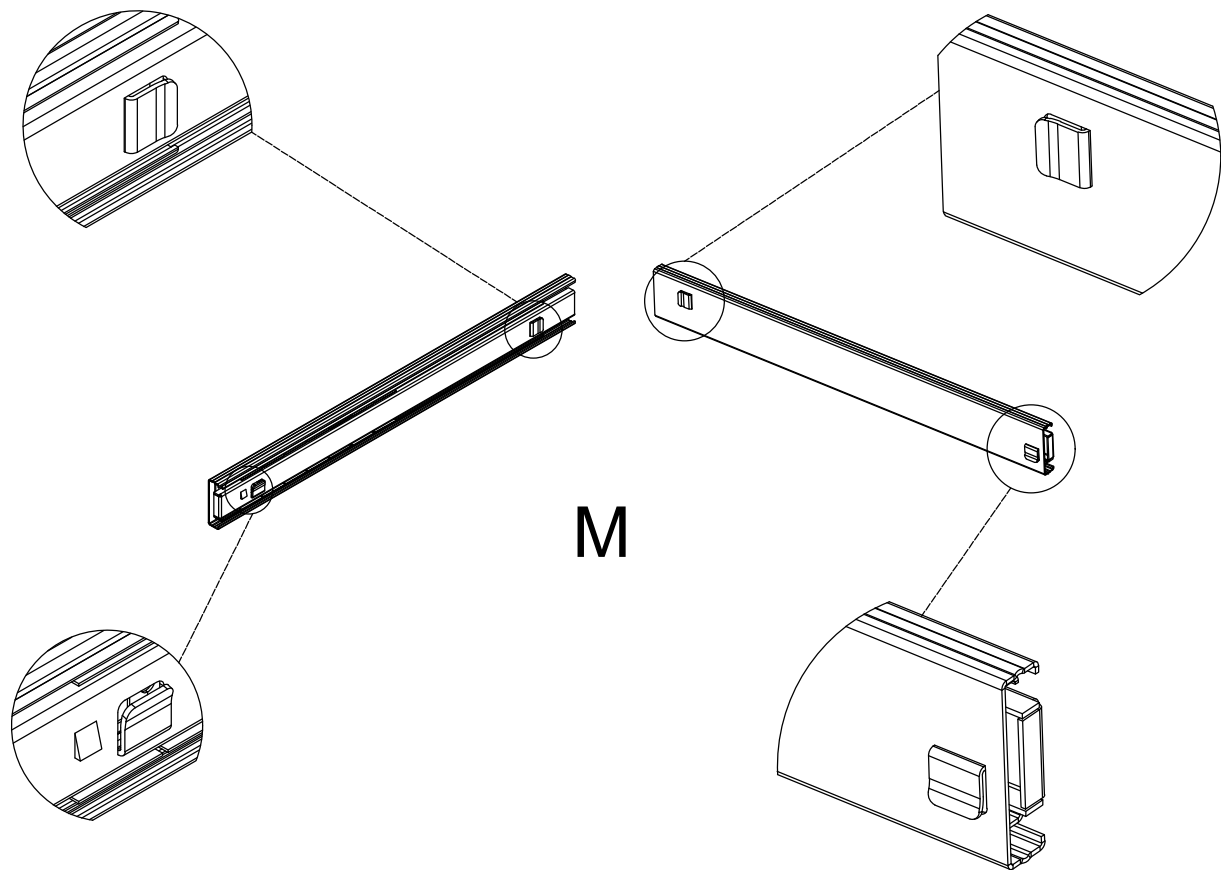
8. Install I



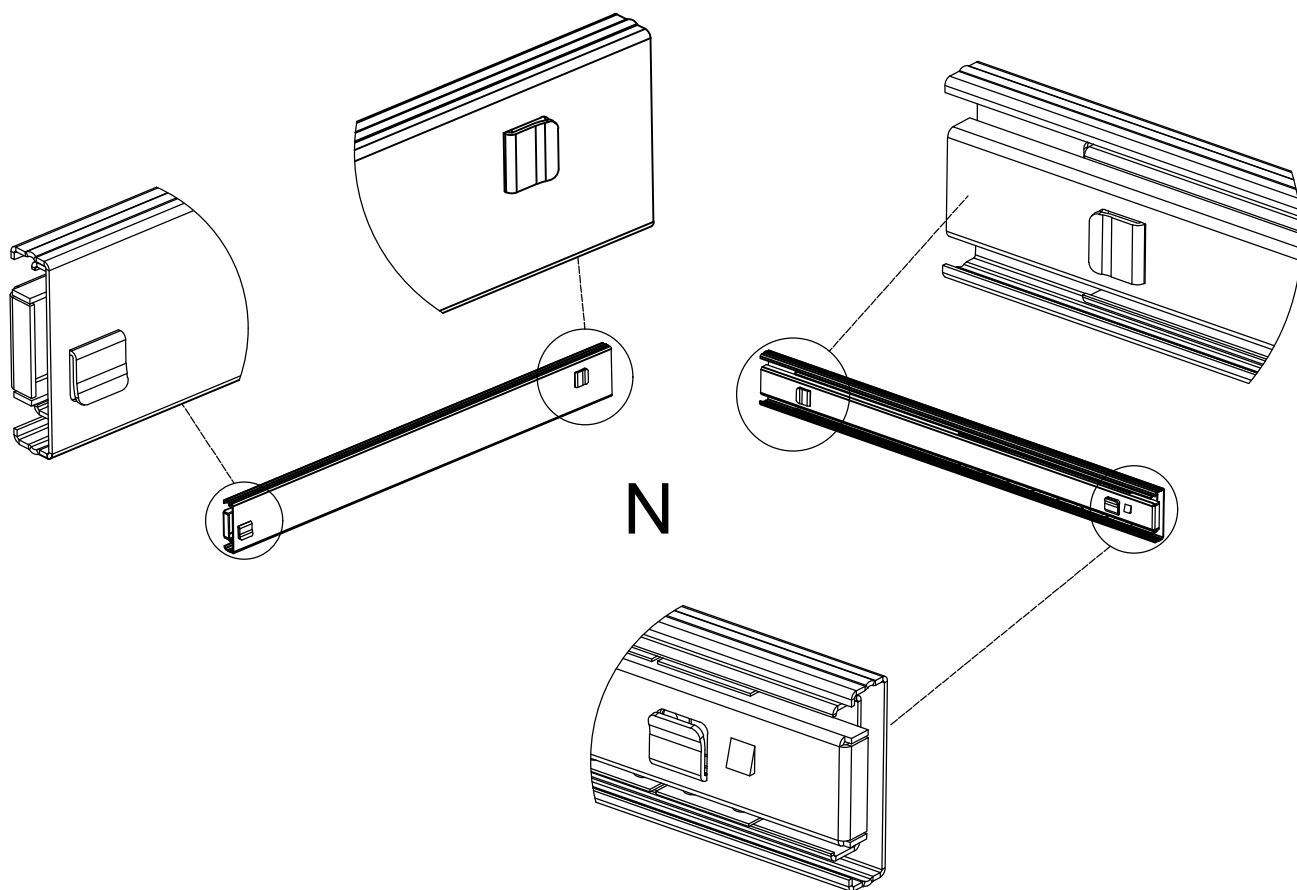
9.Install I



10.Install I

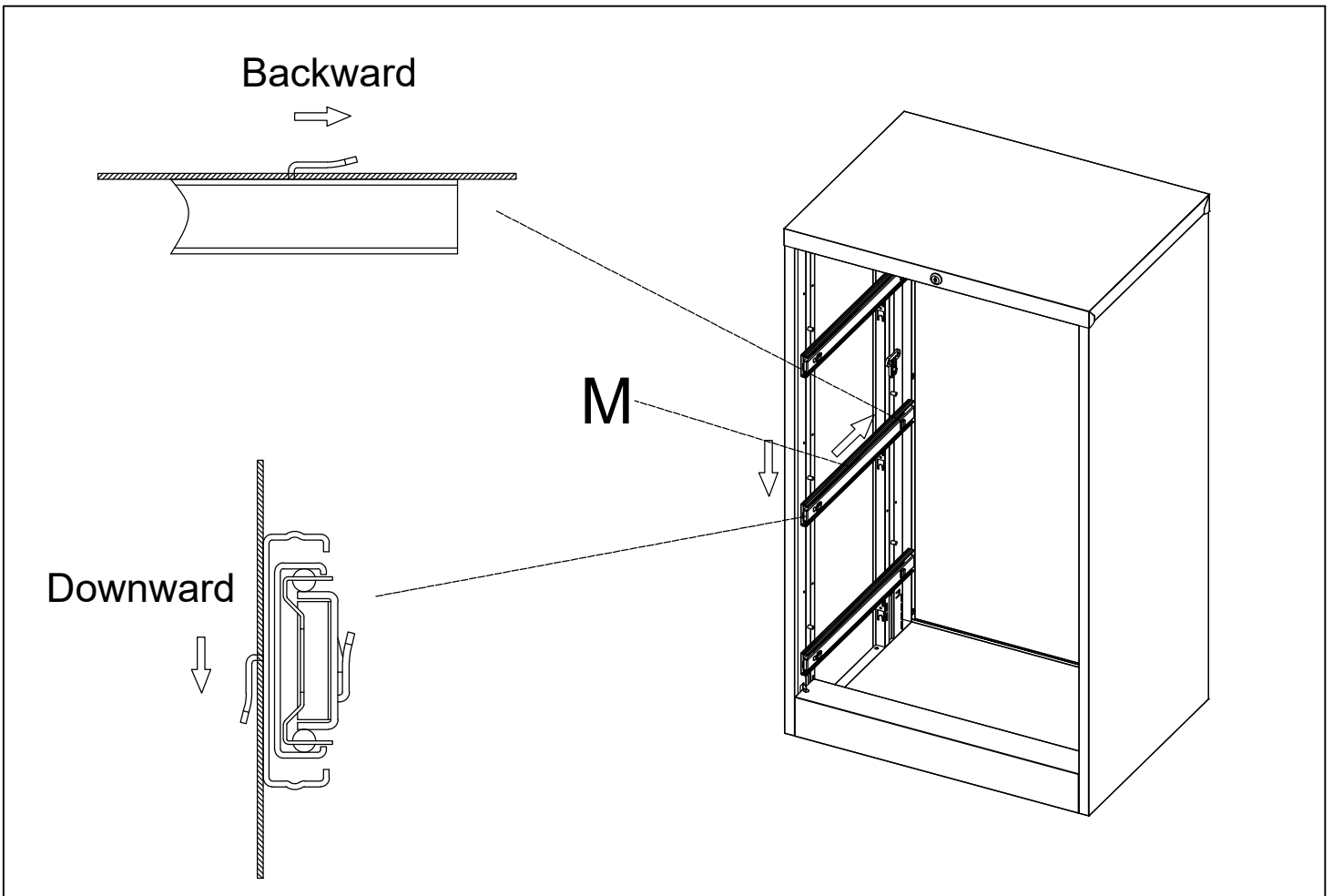


11. Left side rail M

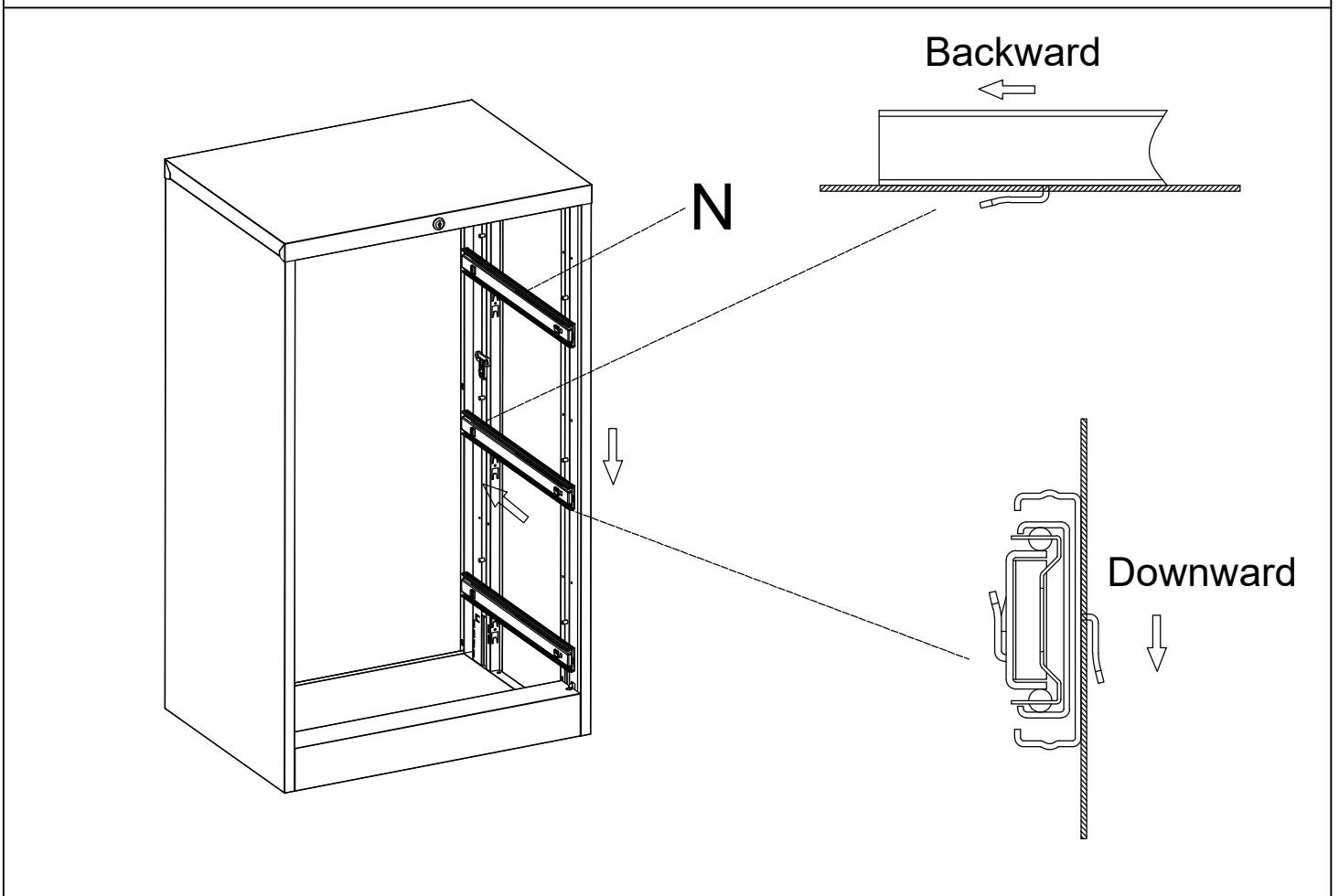


12. Right side rail N

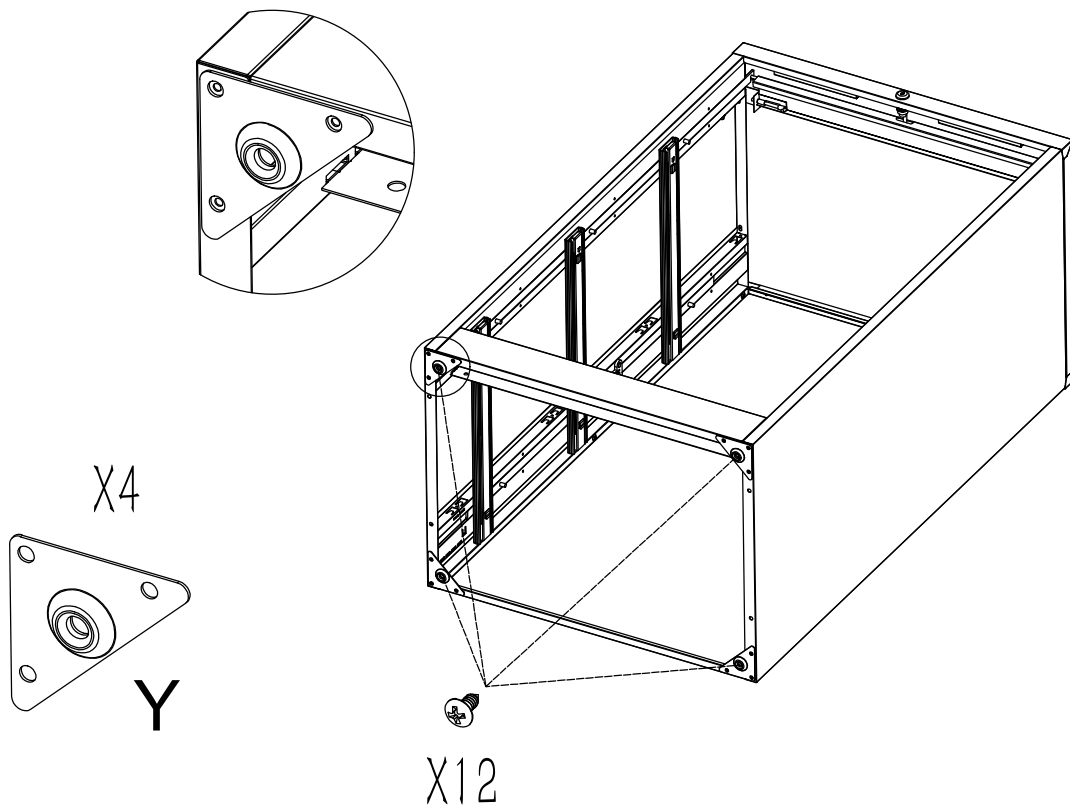




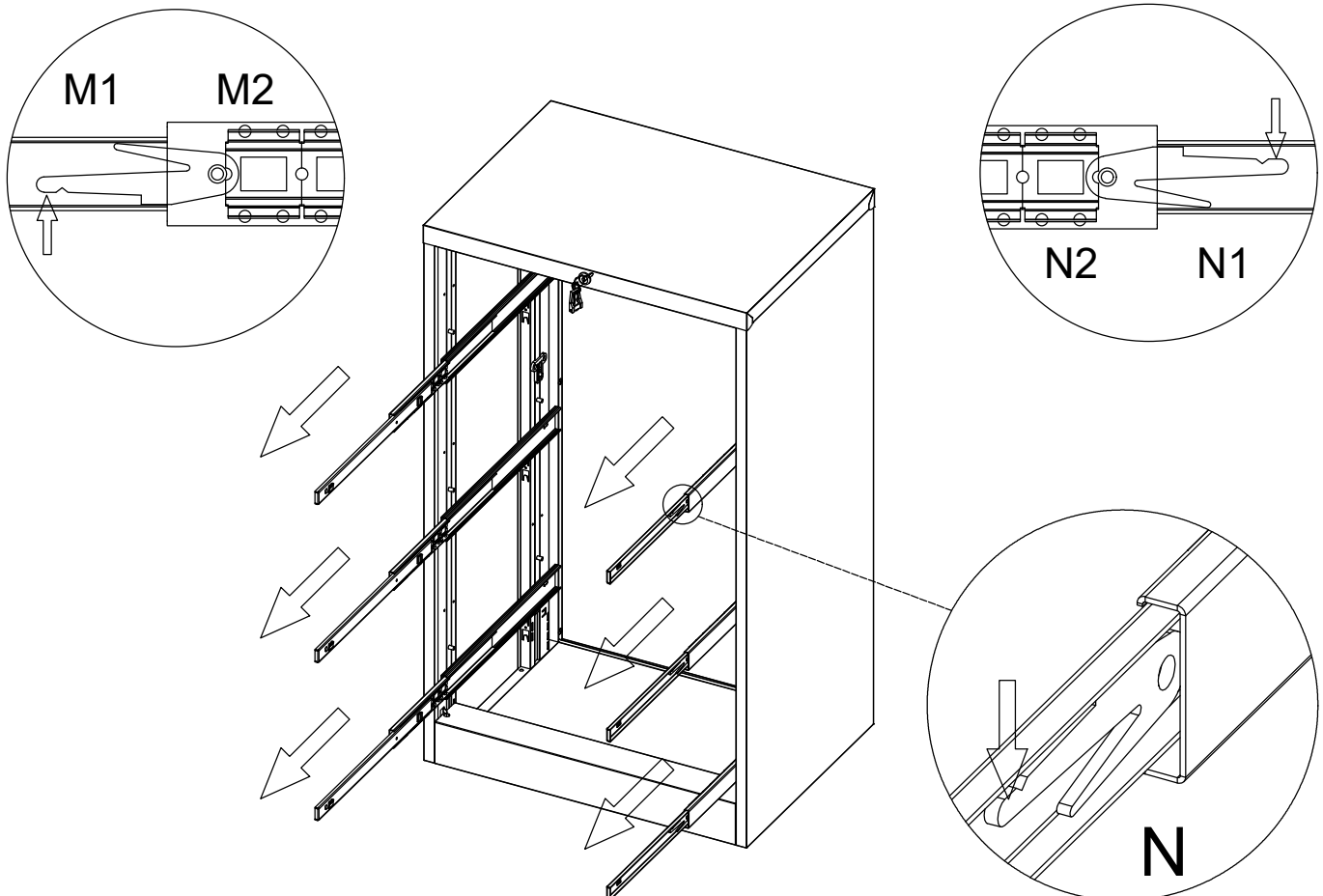
13. Left side rail M



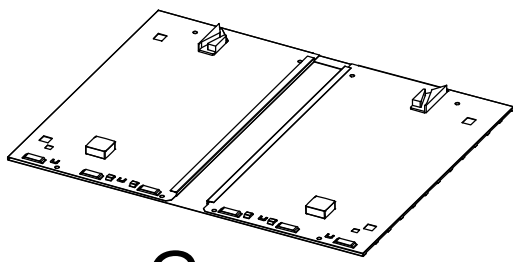
14. Right side rail N



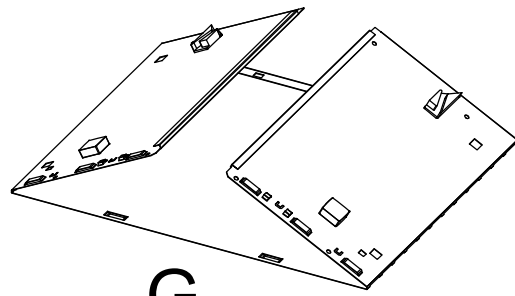
### 15. Install Y



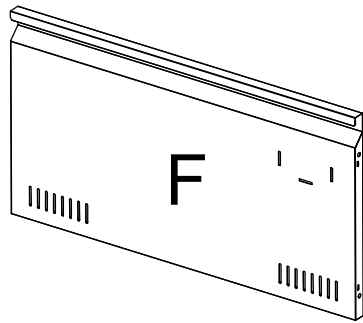
### 16. Divide the slide rail into M1(N1) and M2(N2)



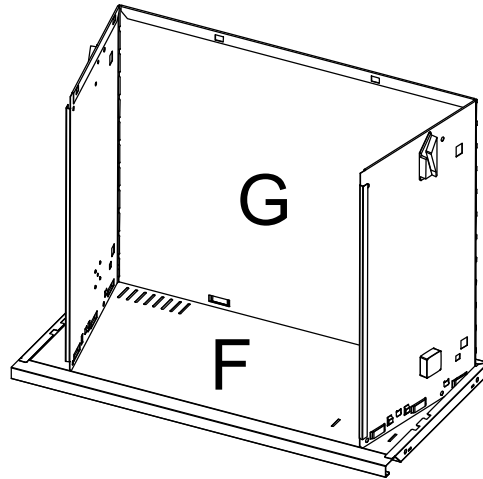
G



G



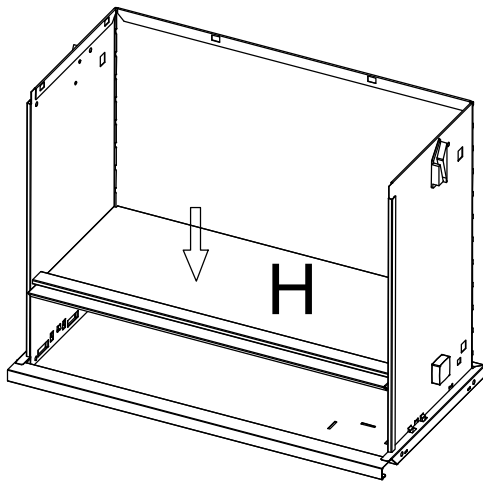
F



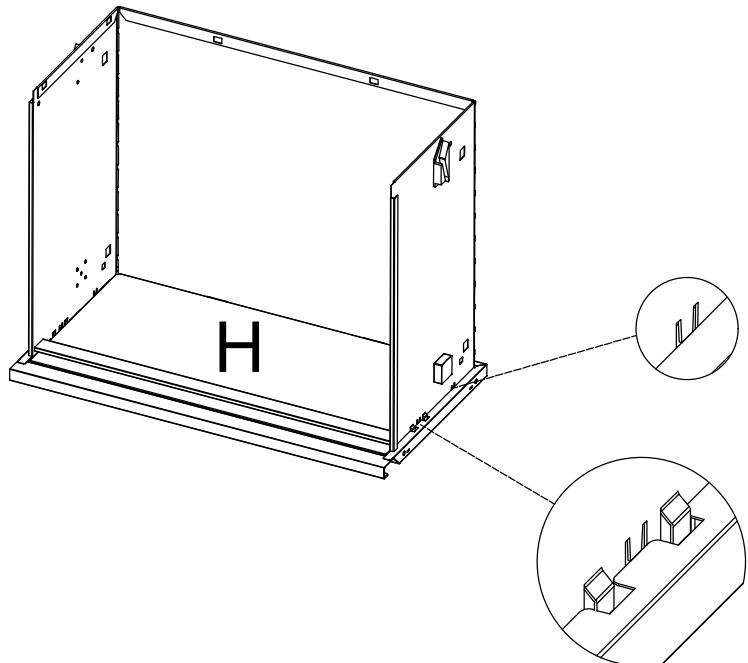
G

F

17. Combine F and G.

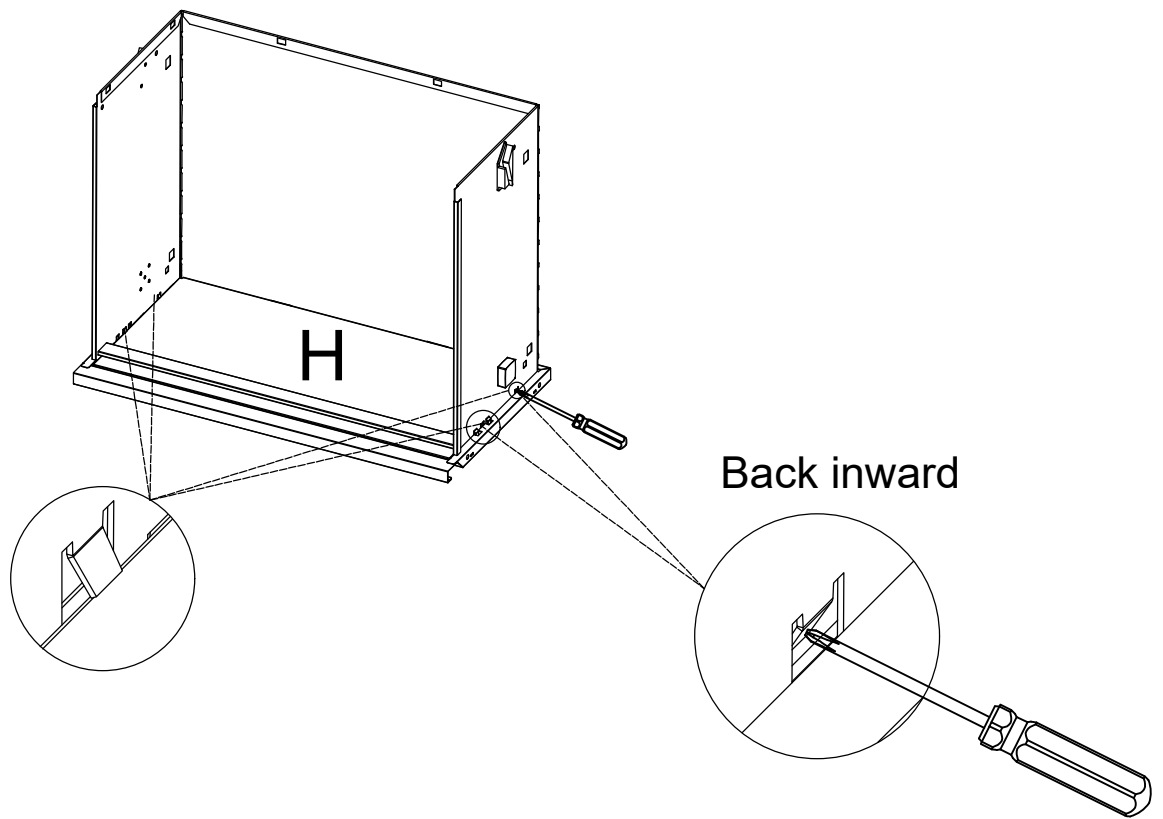


H

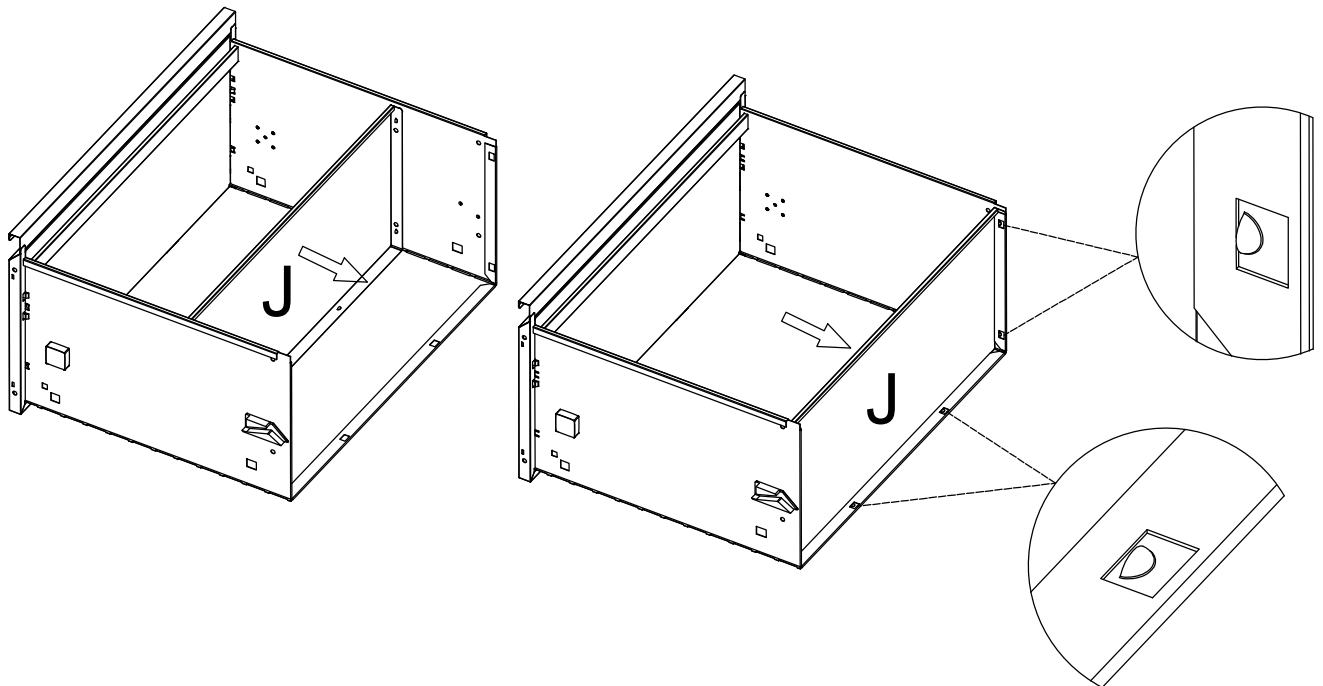


H

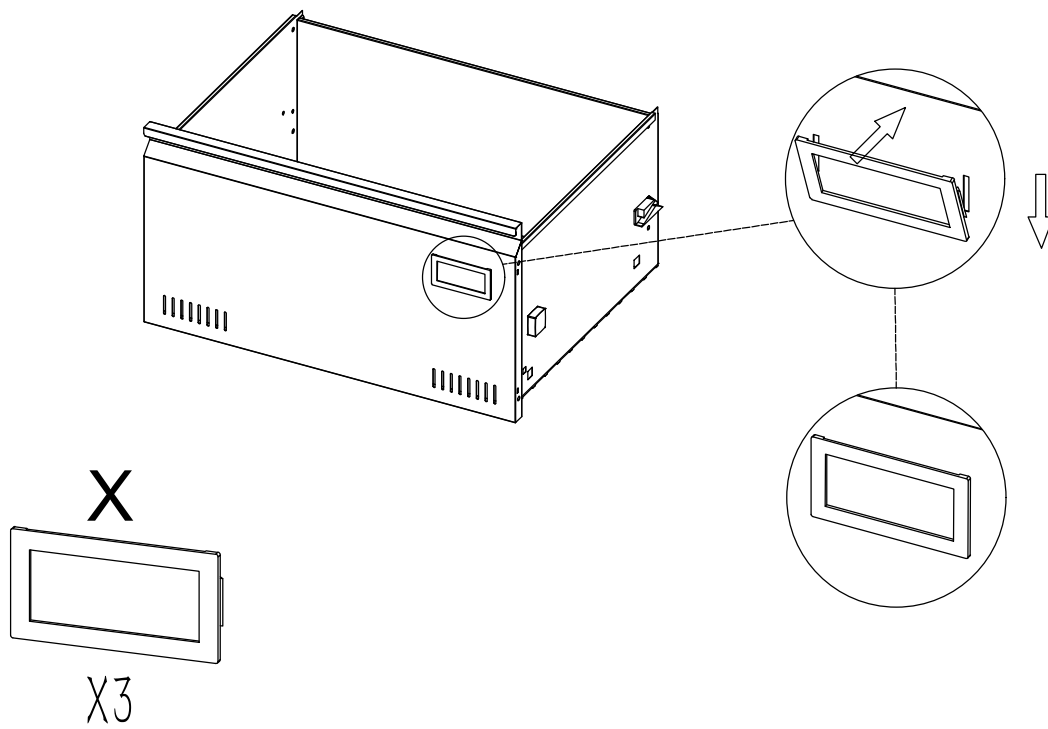
18. Combine F, G, and H.



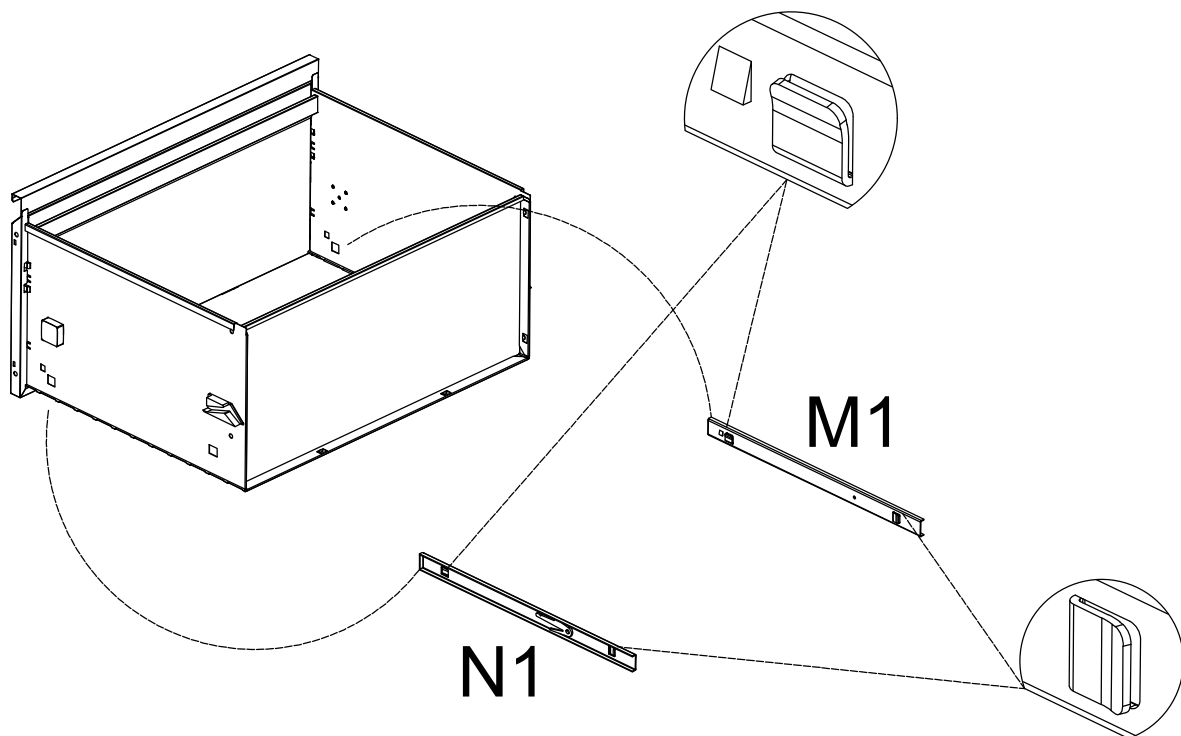
19. Open baffle



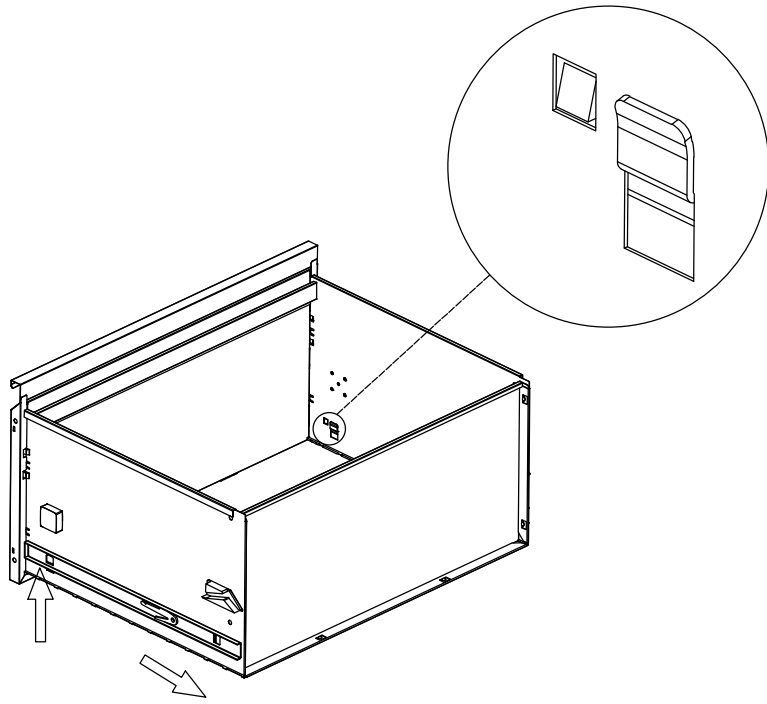
20. Combine F, G, H, and J.



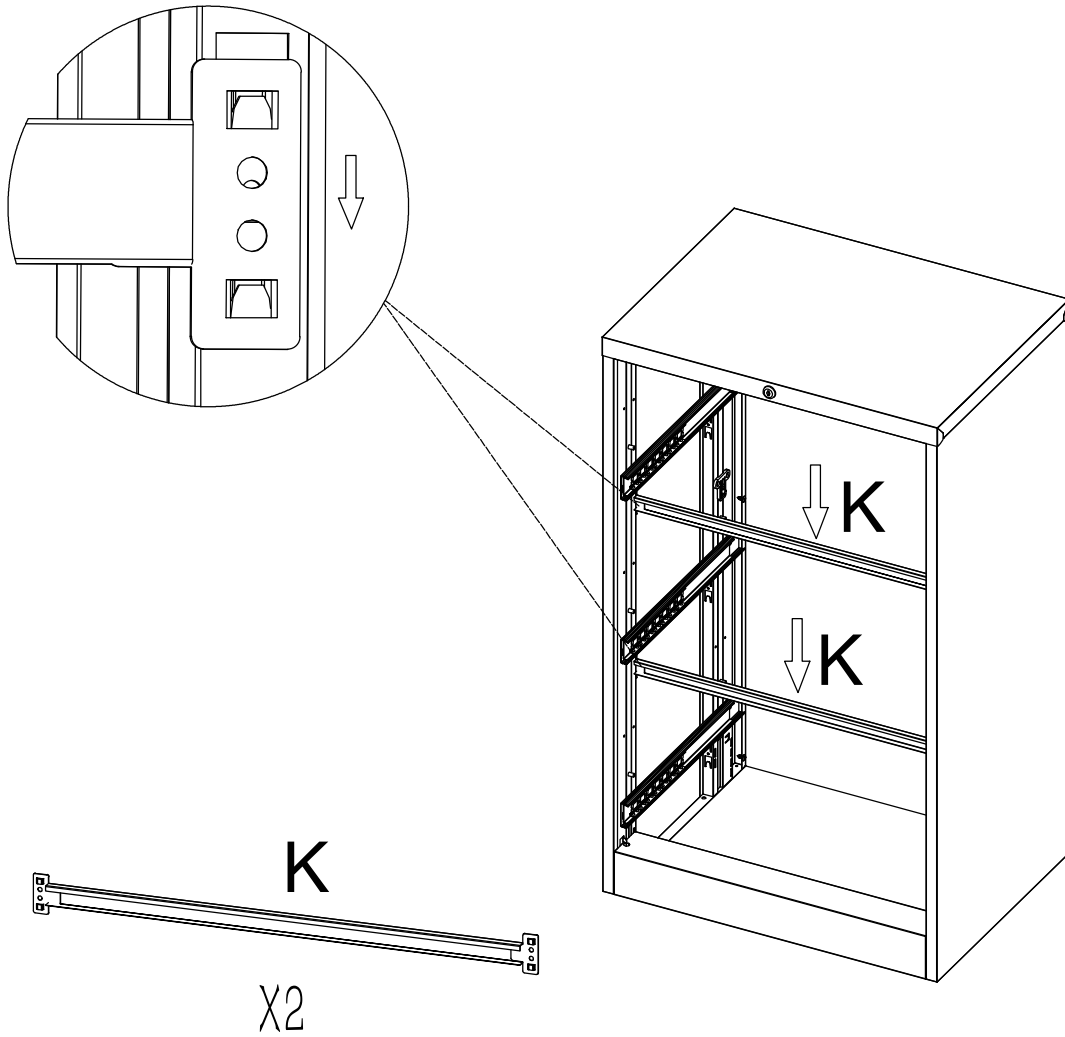
21.Install X



22.Install M1 and N1



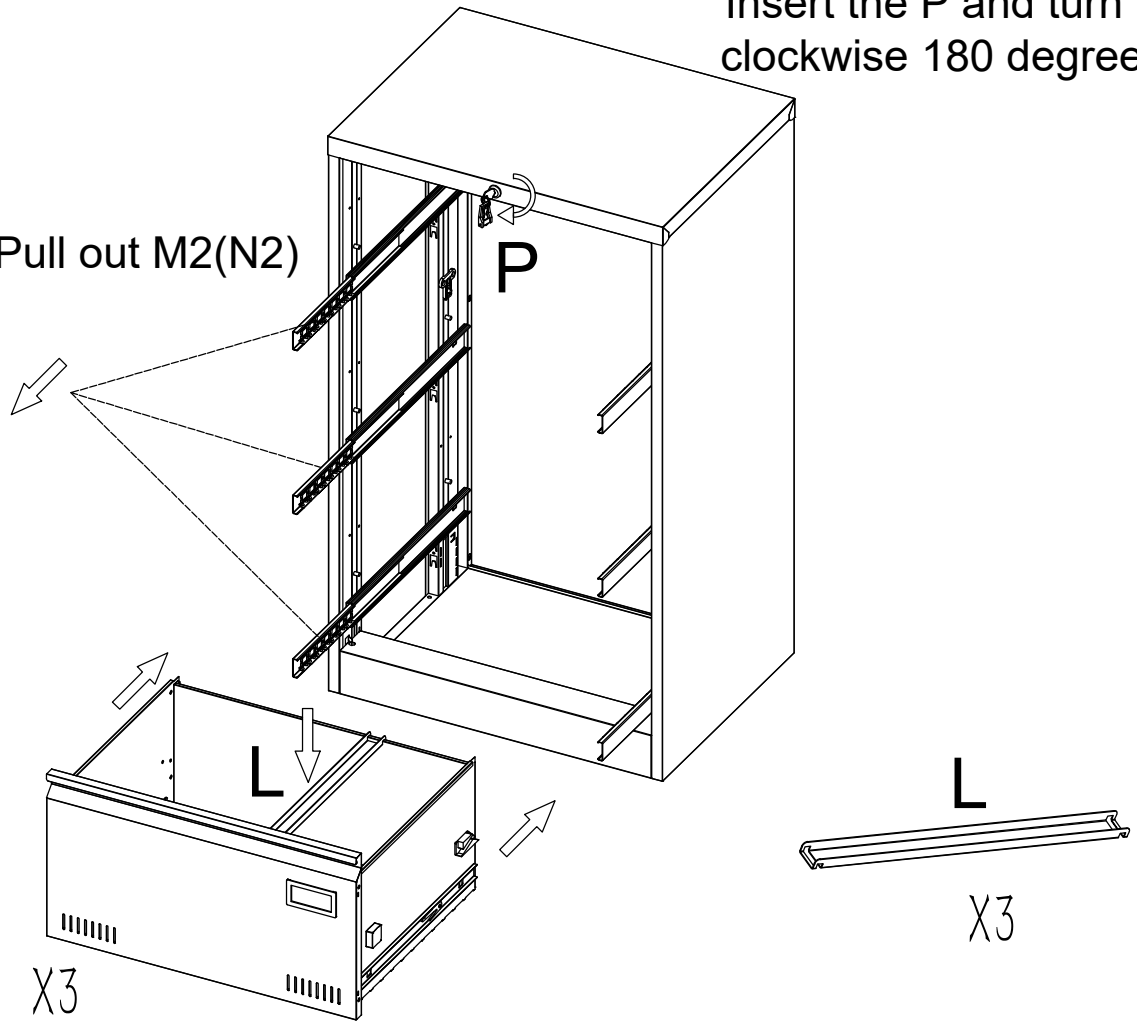
23. Install M1 and N1



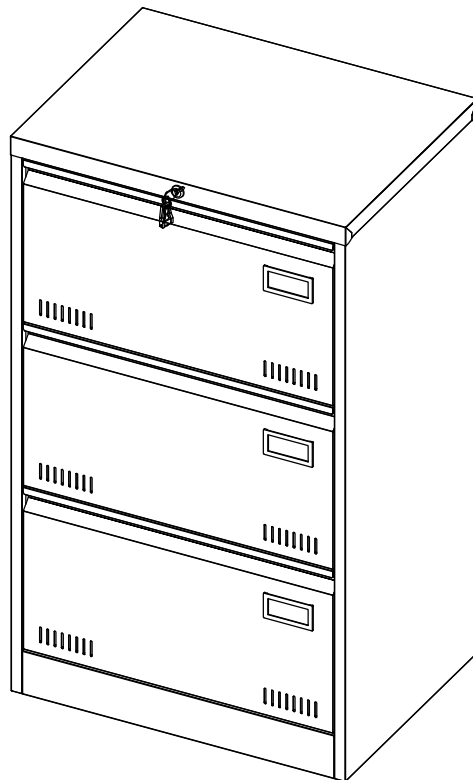
24. Install K

Insert the P and turn it clockwise 180 degrees

Pull out M2(N2)



25.Install drawer and L



26.Assembly completed