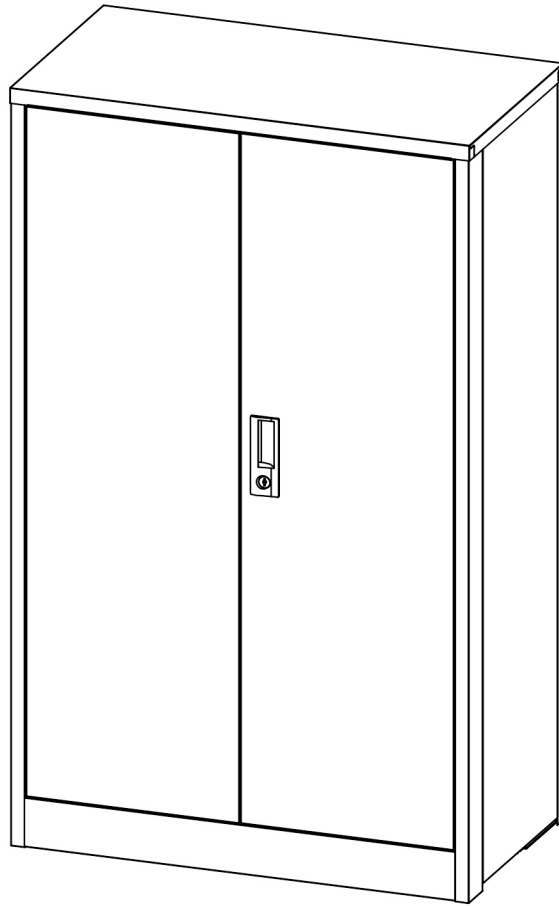


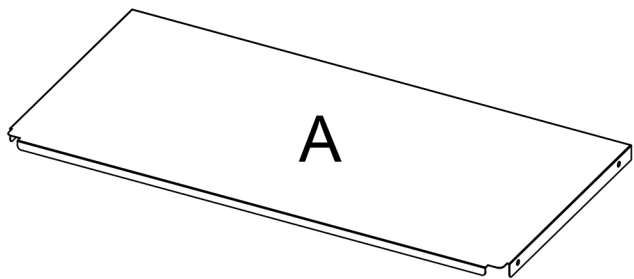
Folding Cabinet

Assmebly Instructions

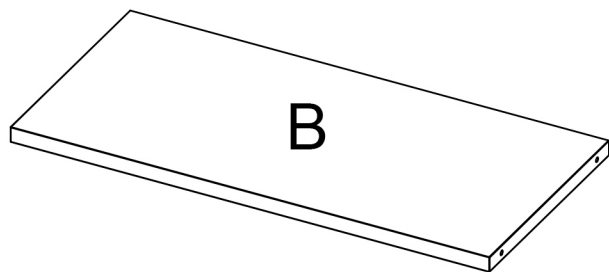


Please scan the QR
code to check the
assemble video

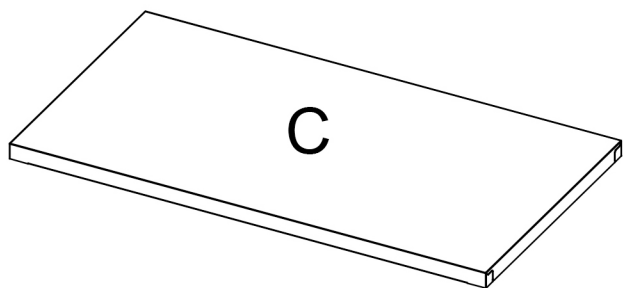




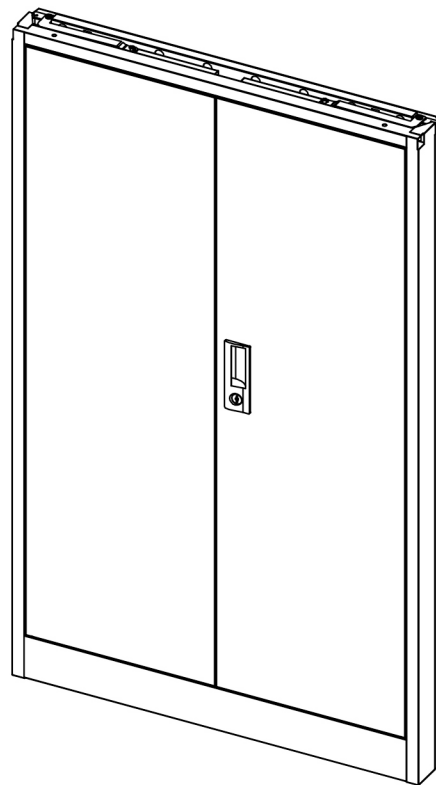
Bottom panel



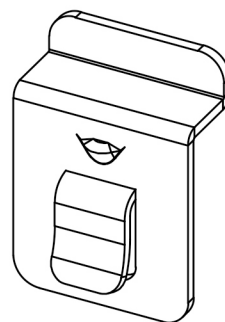
Shelf*2



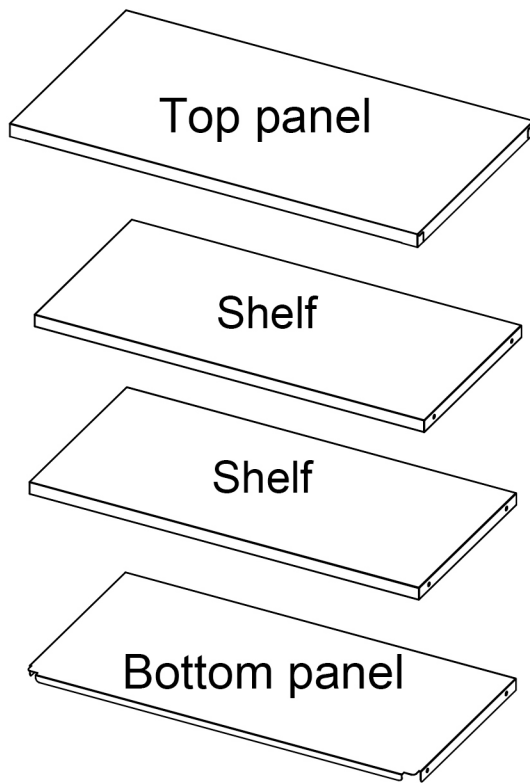
Top panel



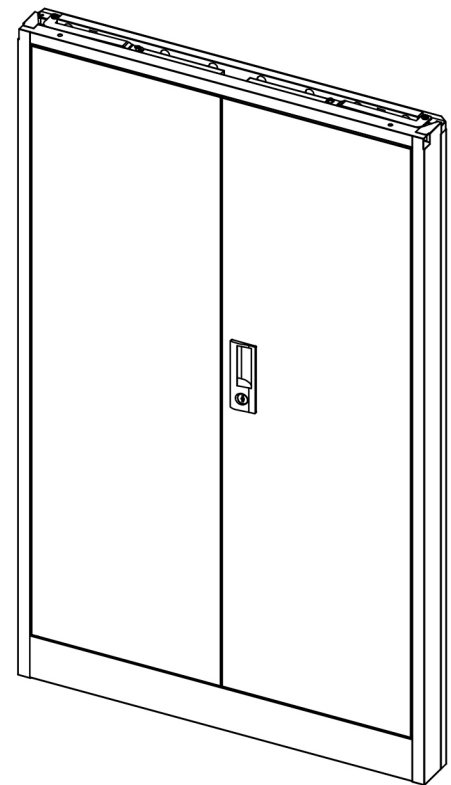
Metal cabinet



**Brackets*4(+2)
(pre-installed)**

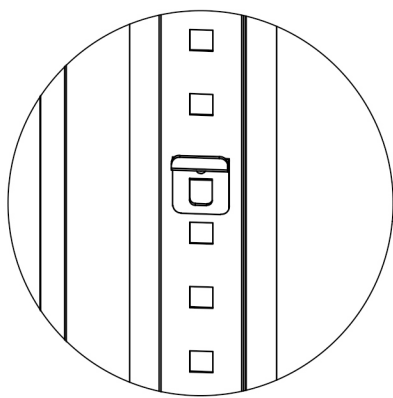


Brackets

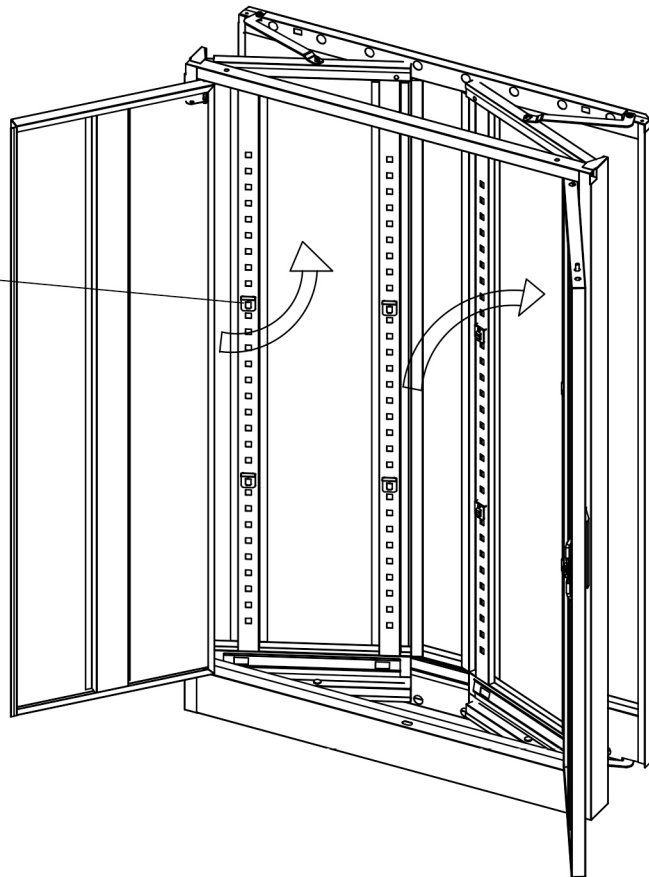


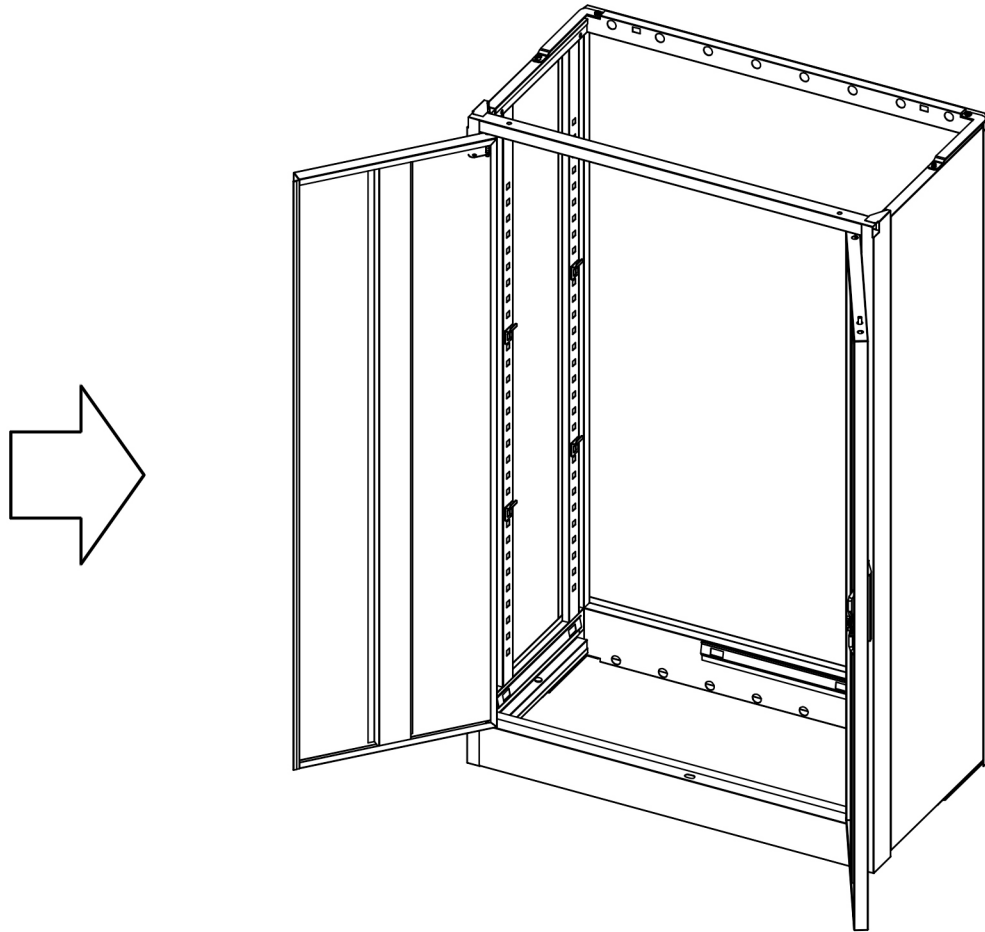
Metal cabinet

Use the key to open the door first, and then push it open on both sides.

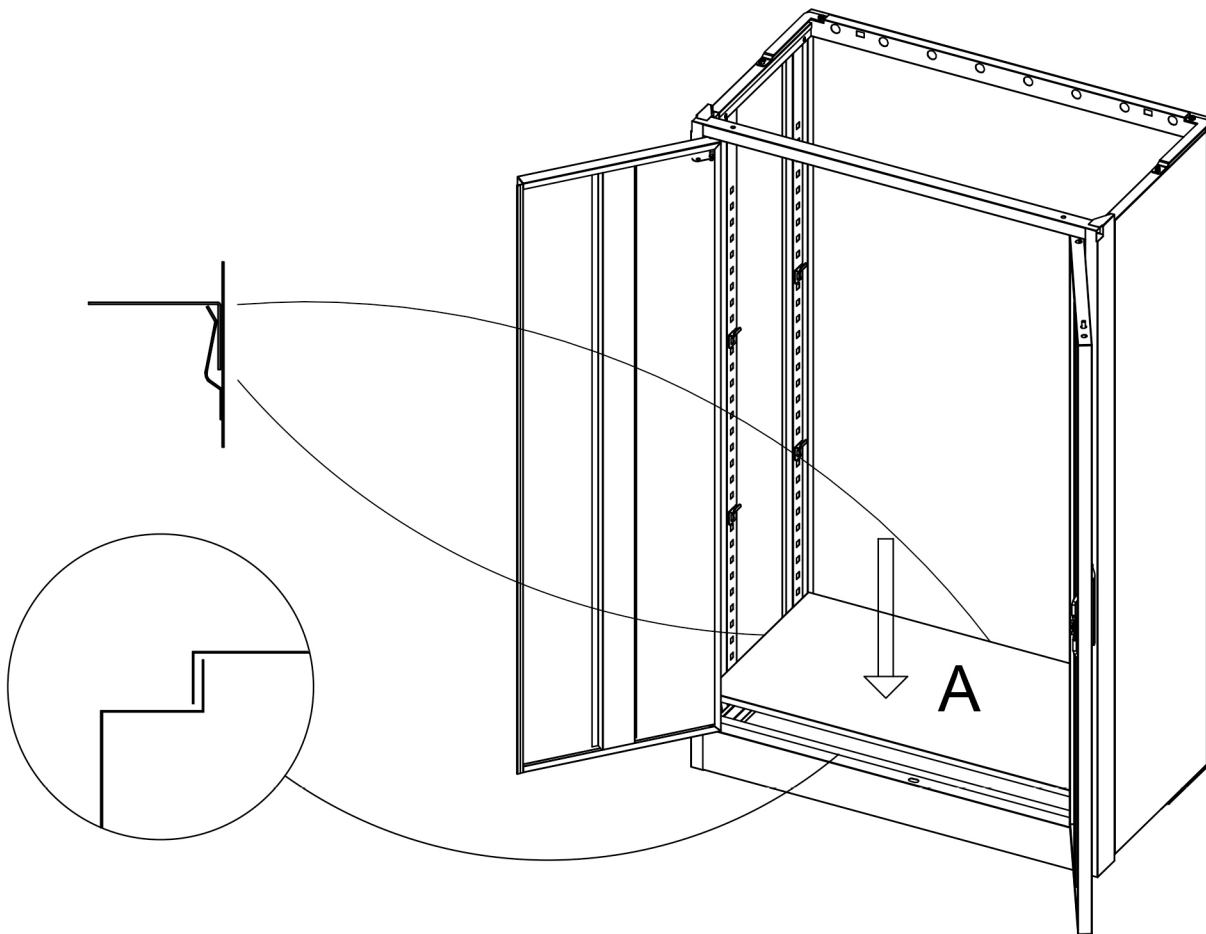


Brackets is pre-installed on side panels

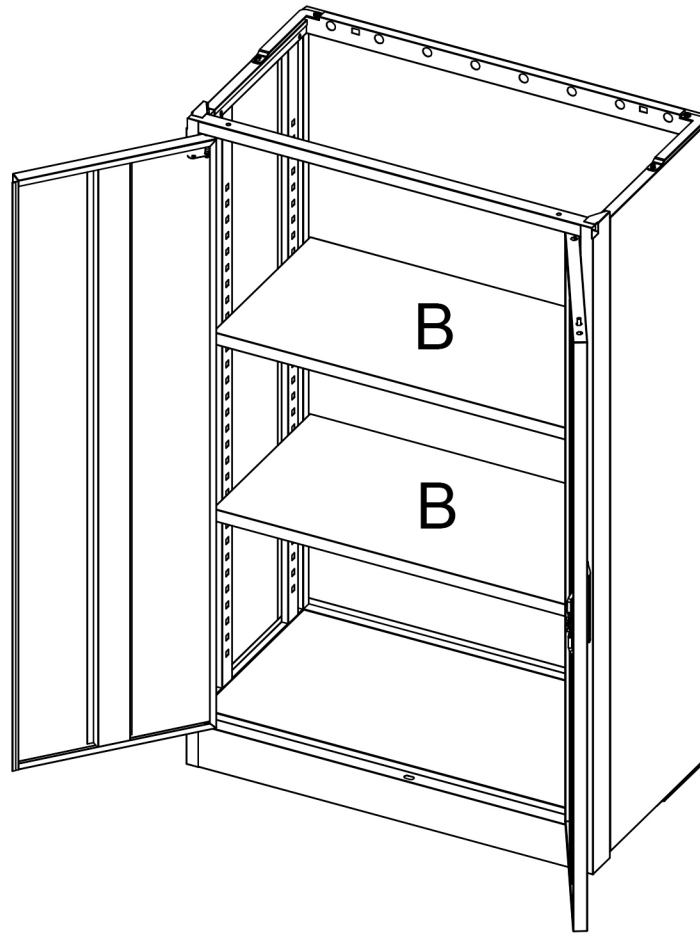




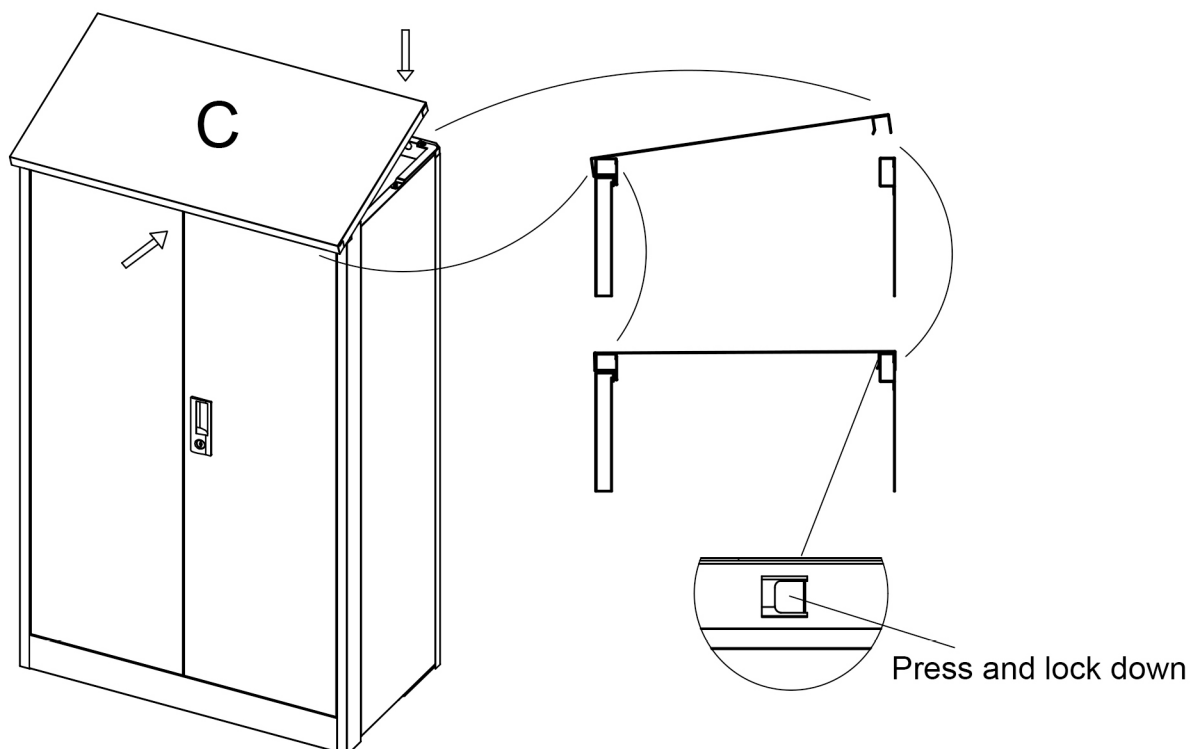
Install the bottom panel (A)

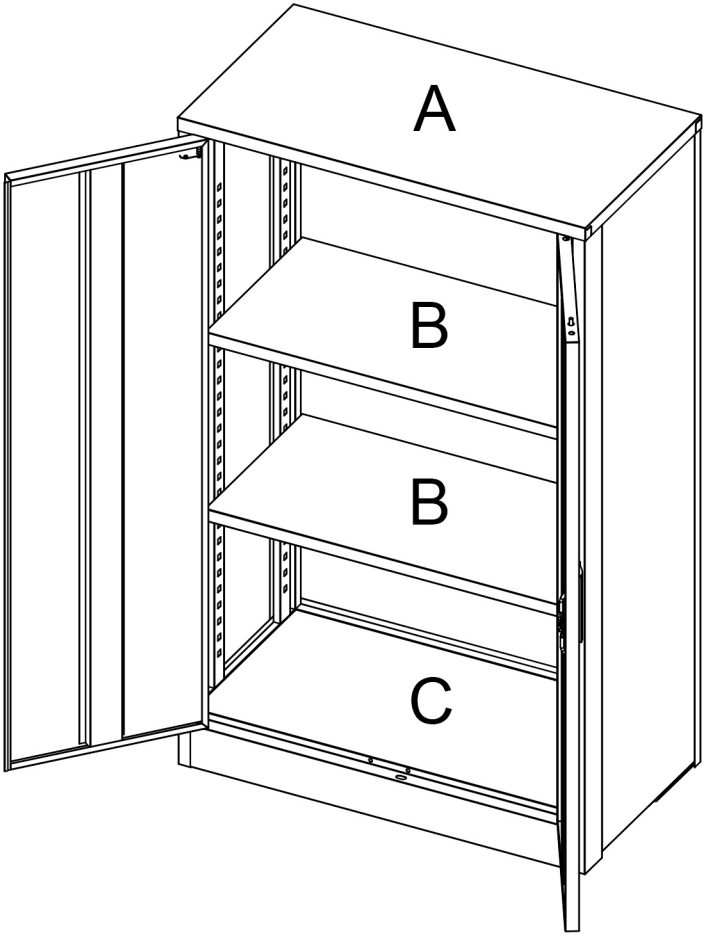


Put the shelves (B) on the brackets



Install the top panel (C): As the drawing, put the top panel, make sure the top panel is in place, then press the buckle from the inside to lock.





Finish

