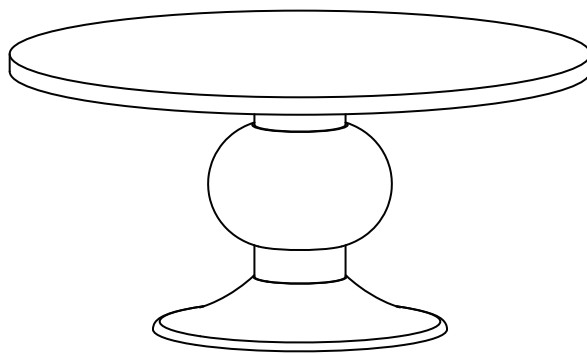


Assembly Instructions



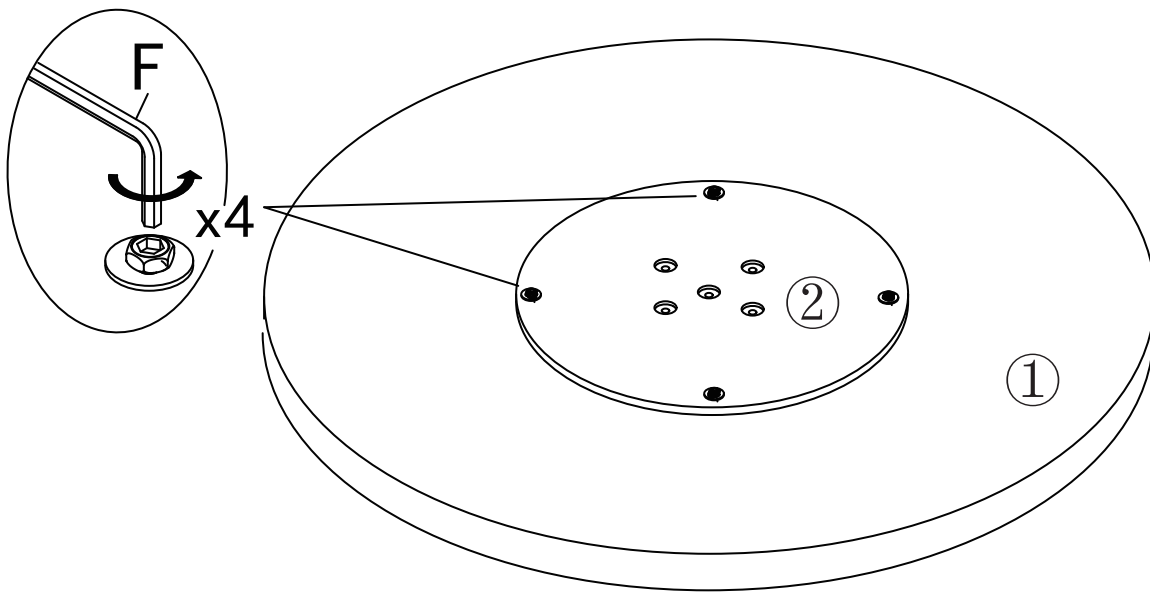
Please install the products on carpet or soft place

Parts list

Hardware List

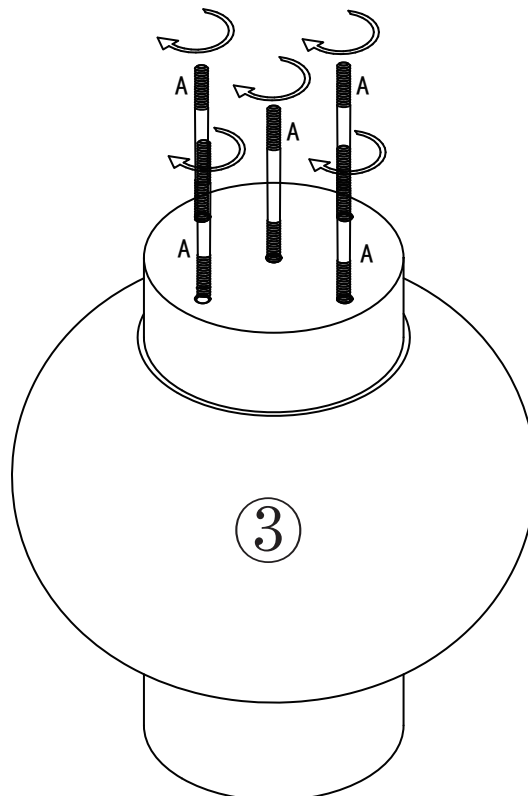
No.	Sketch	Description	Qty	No.	Sketch	Description	Qty
①		Tabletop	1	A		M8*160mm	5
				B		M8	1
②		Connection plate	1	C		M8*25mm	14
				D		M8	5
③		Pedestal	1	E		M8*45mm	9
				F		M5	1
④		Base	1				

Step 1

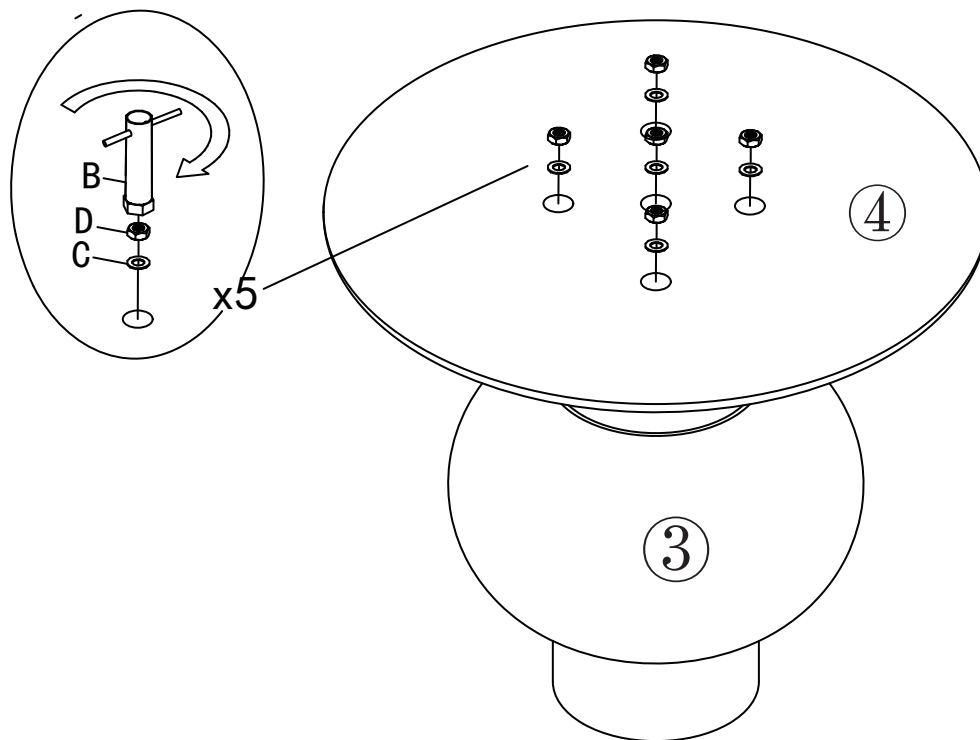


Remove the Connection plate before assembly.
And use screws which loosed to assemble.

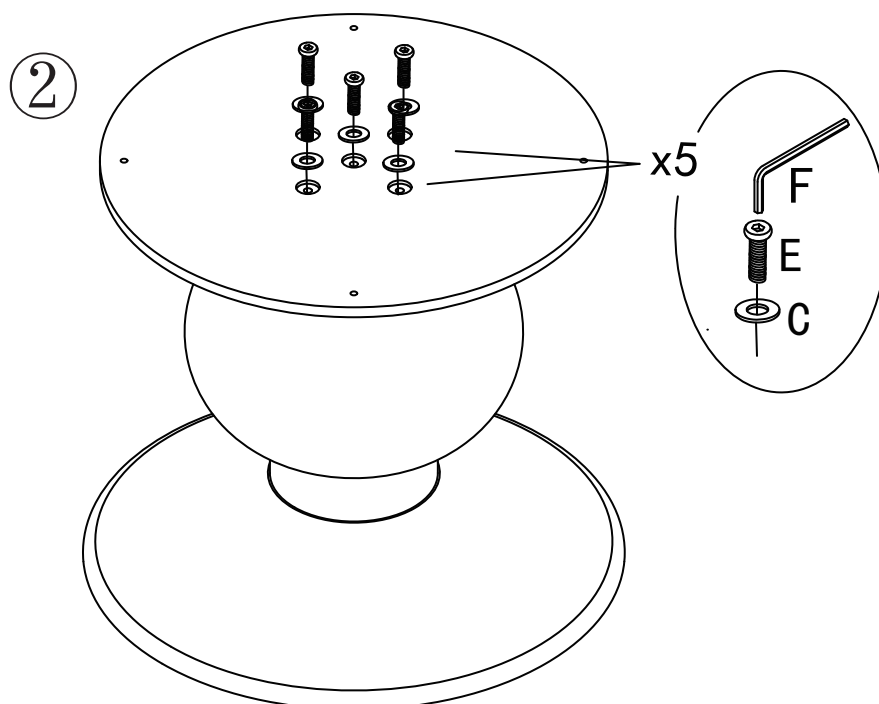
Step 2



Step 3



Step 4



Step 5

