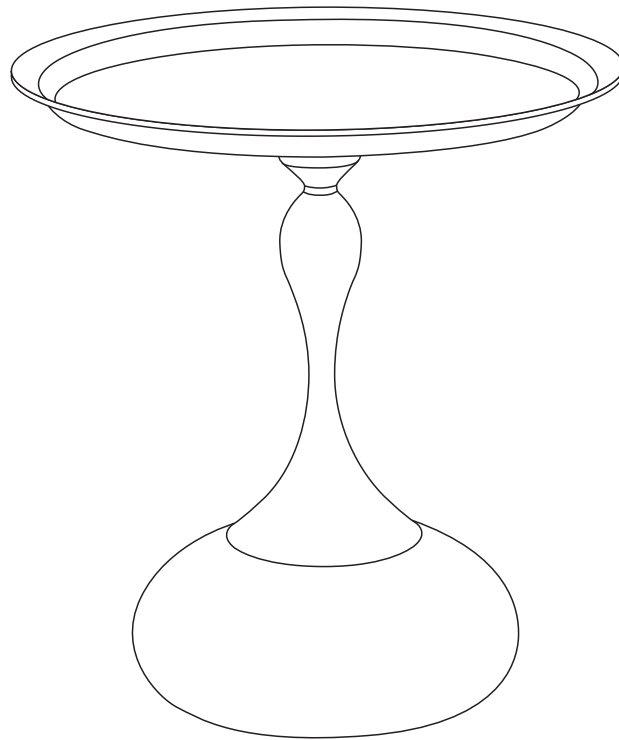






Assembly Instructions

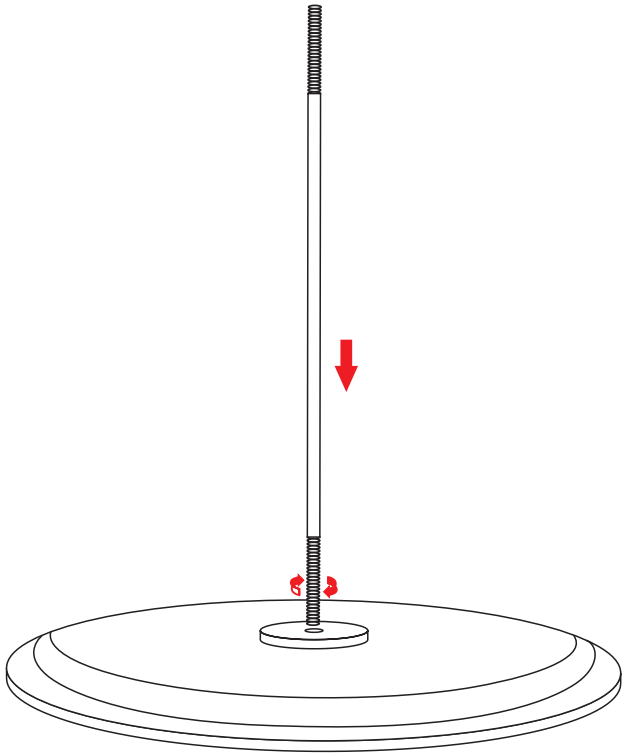
ITEM NO.:ET25



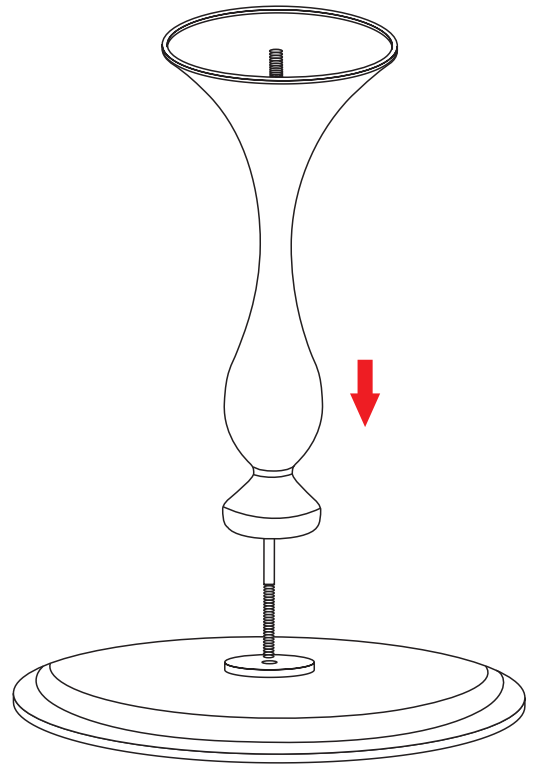
PARTS LIST

NO.:	SKETCH	DESCRIPTION	Qty
A		Table	1
B		Pulling Rod M8*510	1
C		Screw M8	1
D		Gasket M10*25	1

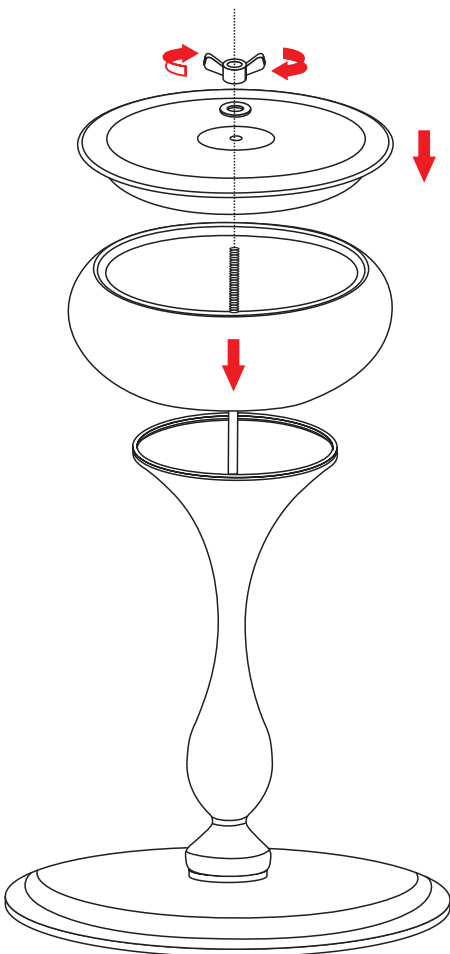
Step 1



Step 2



Step 3



Completed

